



US00D340182S

**United States Patent** [19]  
**Soltani**

[11] **Patent Number: Des. 340,182**

[45] **Date of Patent: \*\* Oct. 12, 1993**

[54] **DOUBLE WHEEL CASTER**

[75] **Inventor: Sohrab Soltani, Charleston, S.C.**

[73] **Assignee: SSI Medical Services, Inc.,  
Charleston, S.C.**

[\*\*] **Term: 14 Years**

[21] **Appl. No.: 617,064**

[22] **Filed: Nov. 21, 1990**

[52] **U.S. Cl. .... D8/375**

[58] **Field of Search ..... D8/375; 16/18 R, 18 CG,  
16/47**

**OTHER PUBLICATIONS**

Colson catalog, Dec. 6, 1989, cover page, caster, located at left of page.

Faultless Catalog 1982, p. 2, caster wheel, item A in upper left hand corner.

British Casters Inc. Dec. 6, 1989, p. 3, caster, item A, located on left side.

*Primary Examiner*—Wallace R. Burke

*Assistant Examiner*—H. Baynham

*Attorney, Agent, or Firm*—Dority & Manning

[57] **CLAIM**

The ornamental design of a double wheel caster, as shown and described.

[56] **References Cited**

**U.S. PATENT DOCUMENTS**

D. 193,467	8/1962	Rice et al. ....	D8/375
D. 240,399	7/1976	Crescenzi et al. ....	D8/375
D. 241,104	8/1976	Pinaire et al. ....	D8/375
D. 288,286	2/1987	Screen .....	D8/375
D. 329,011	9/1992	Block .....	D8/375
3,127,632	4/1964	Rice et al. ....	D8/375 X
3,486,185	12/1969	Lange .....	D8/375 X

**DESCRIPTION**

FIG. 1 is a right side elevational view of a double wheel caster showing my new design;

FIG. 2 is a front elevational view thereof;

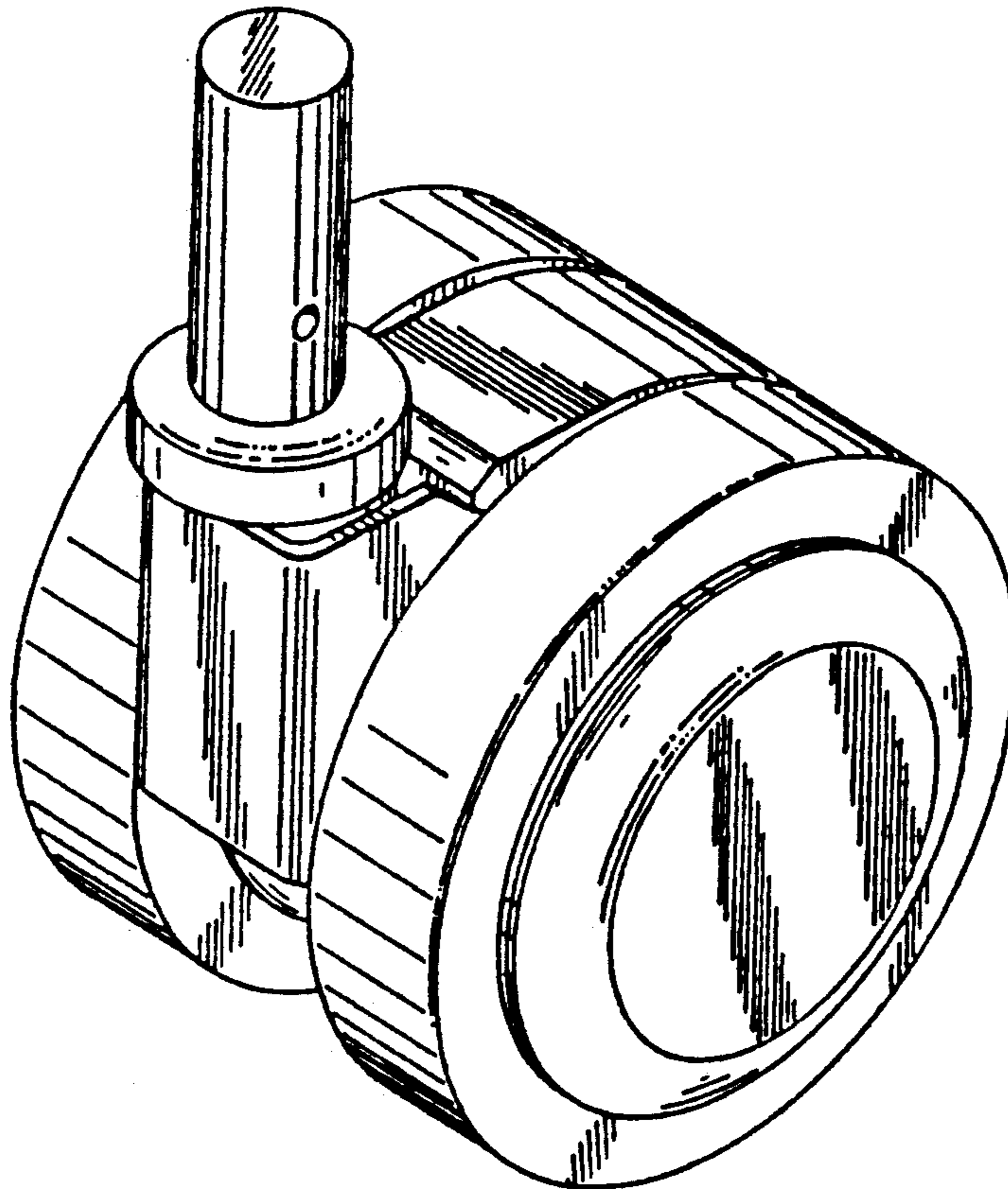
FIG. 3 is a left side elevational view thereof;

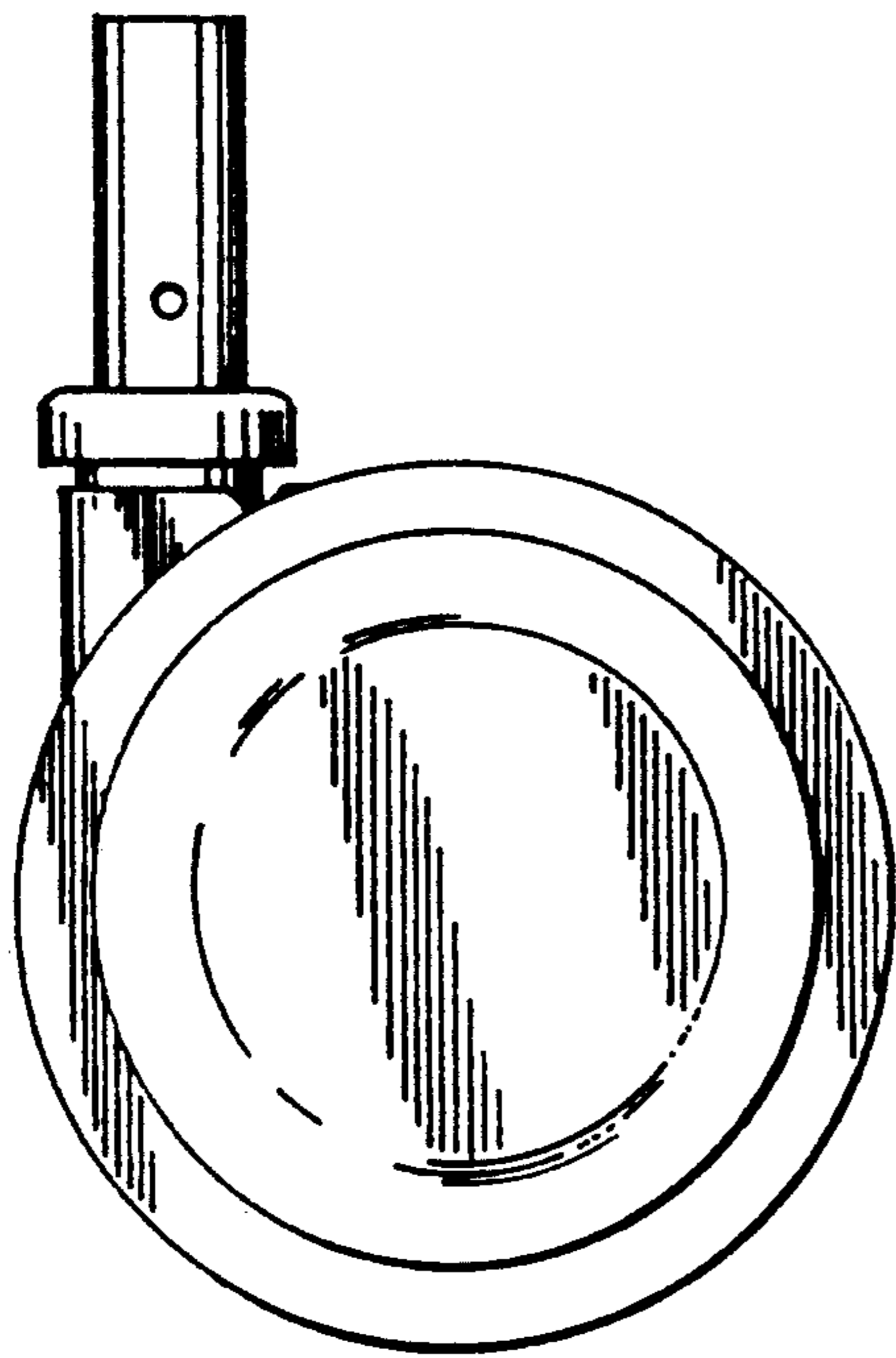
FIG. 4 is a rear elevational view thereof;

FIG. 5 is a top plan view thereof;

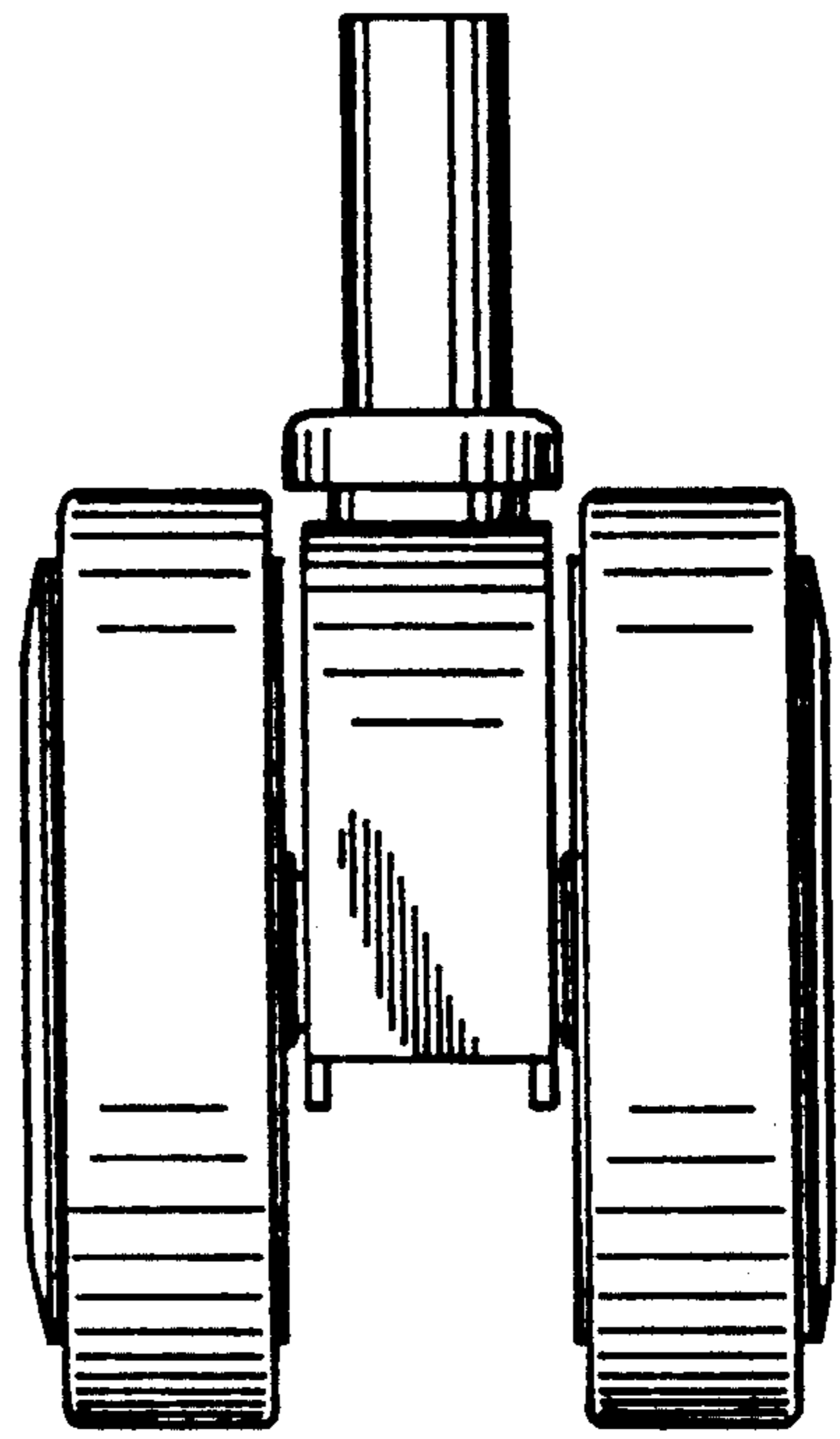
FIG. 6 is a bottom plan view thereof; and,

FIG. 7 is a perspective view thereof.

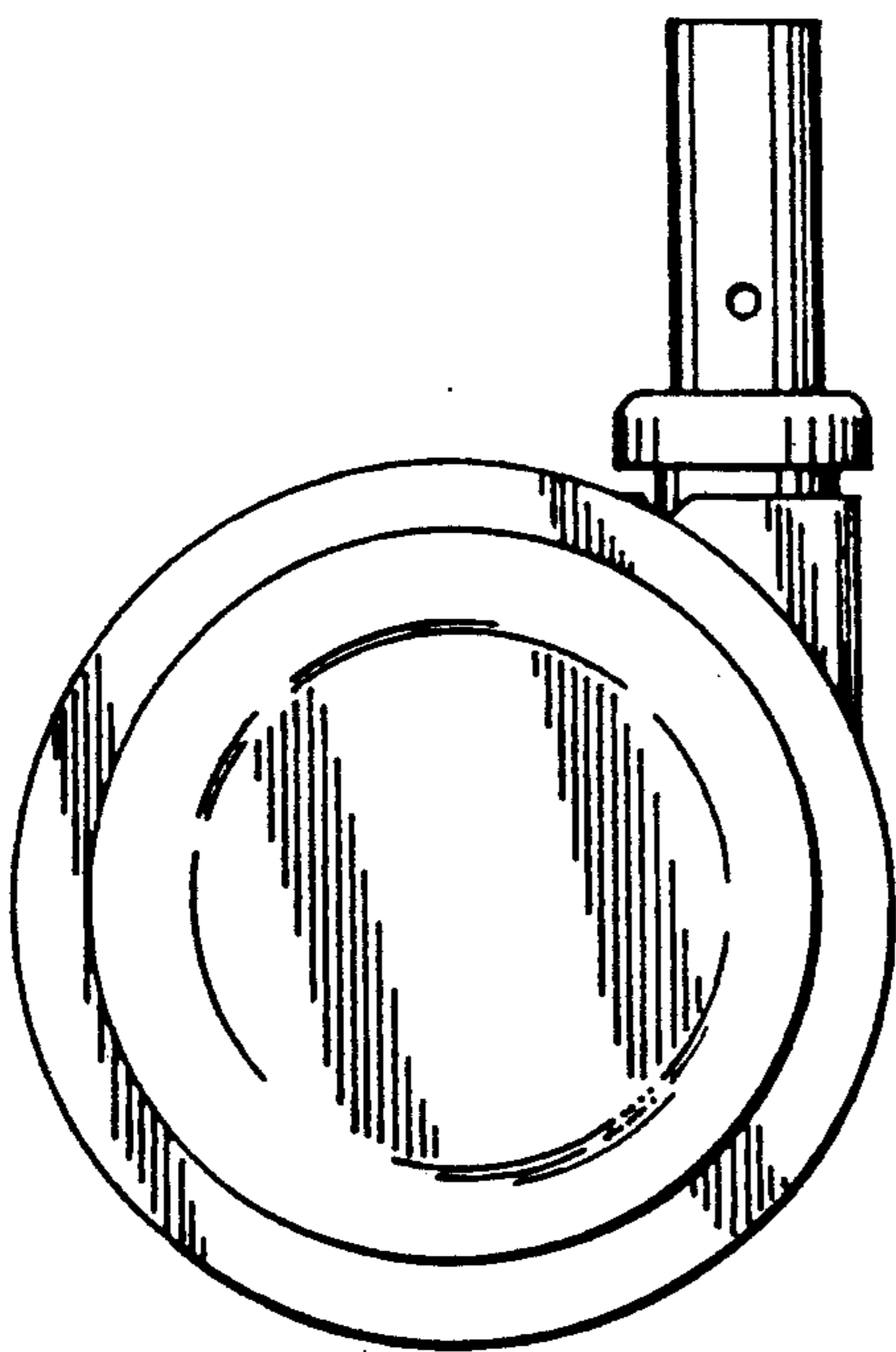




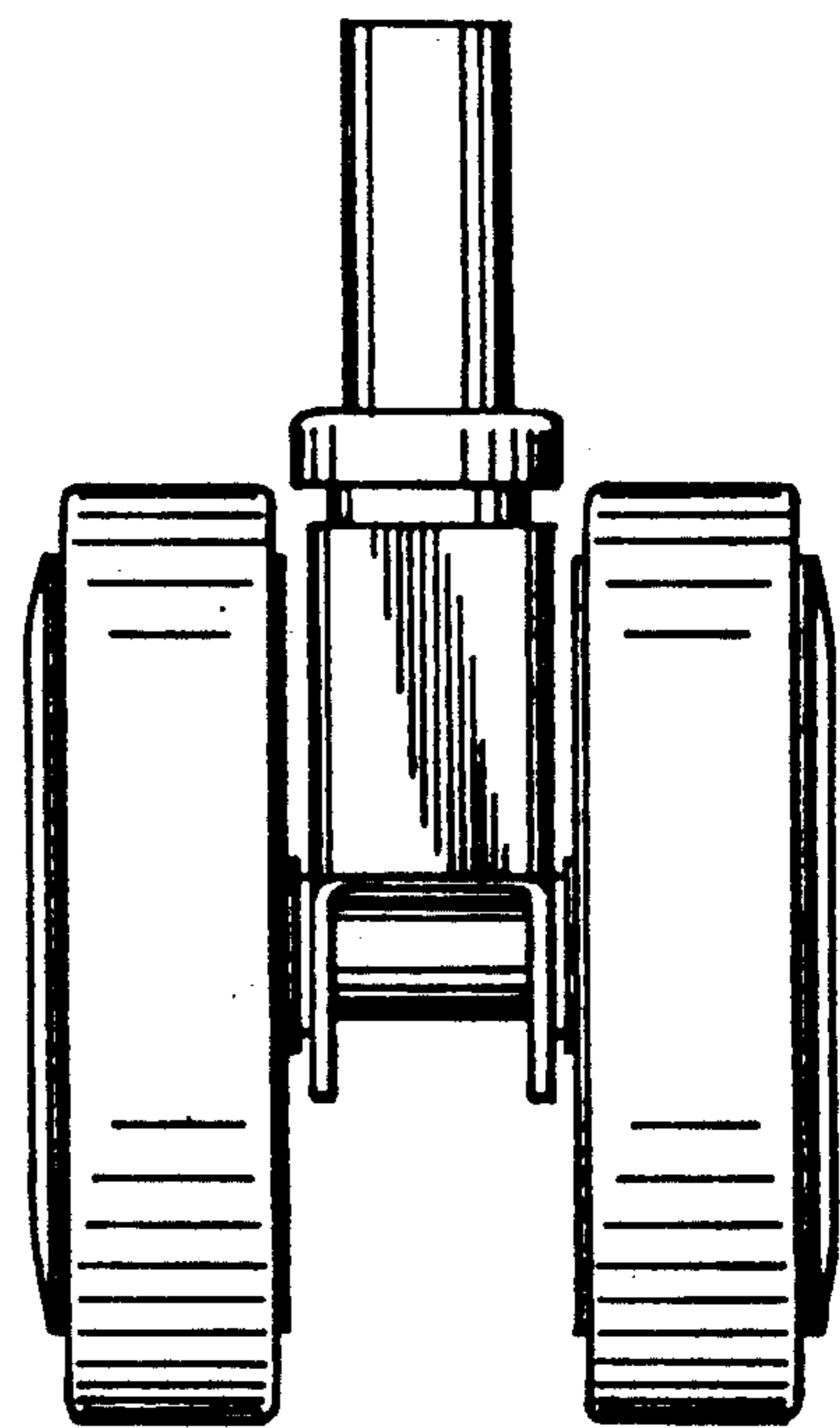
*Fig. 1*



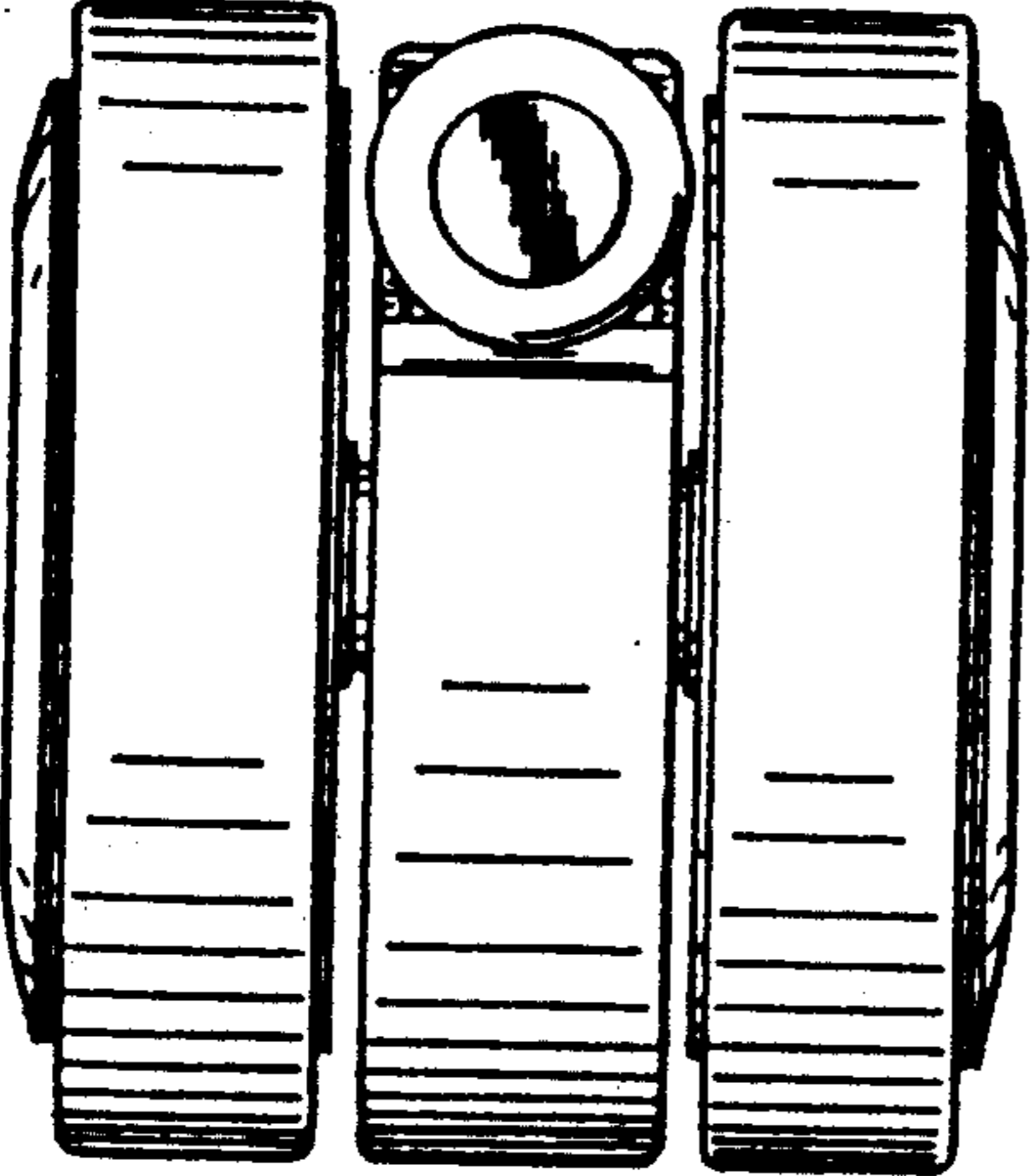
*Fig. 2*



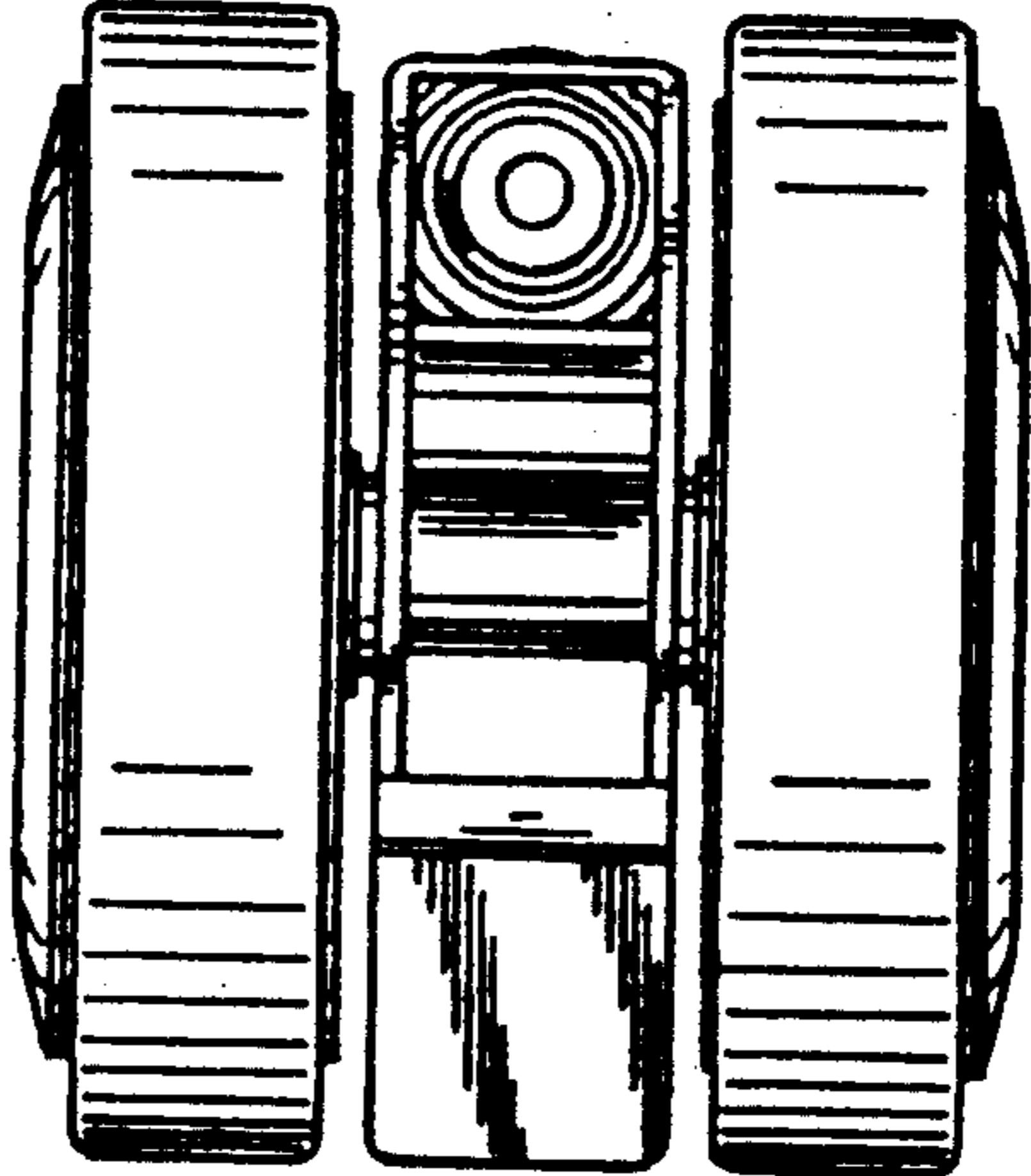
*Fig. 3*



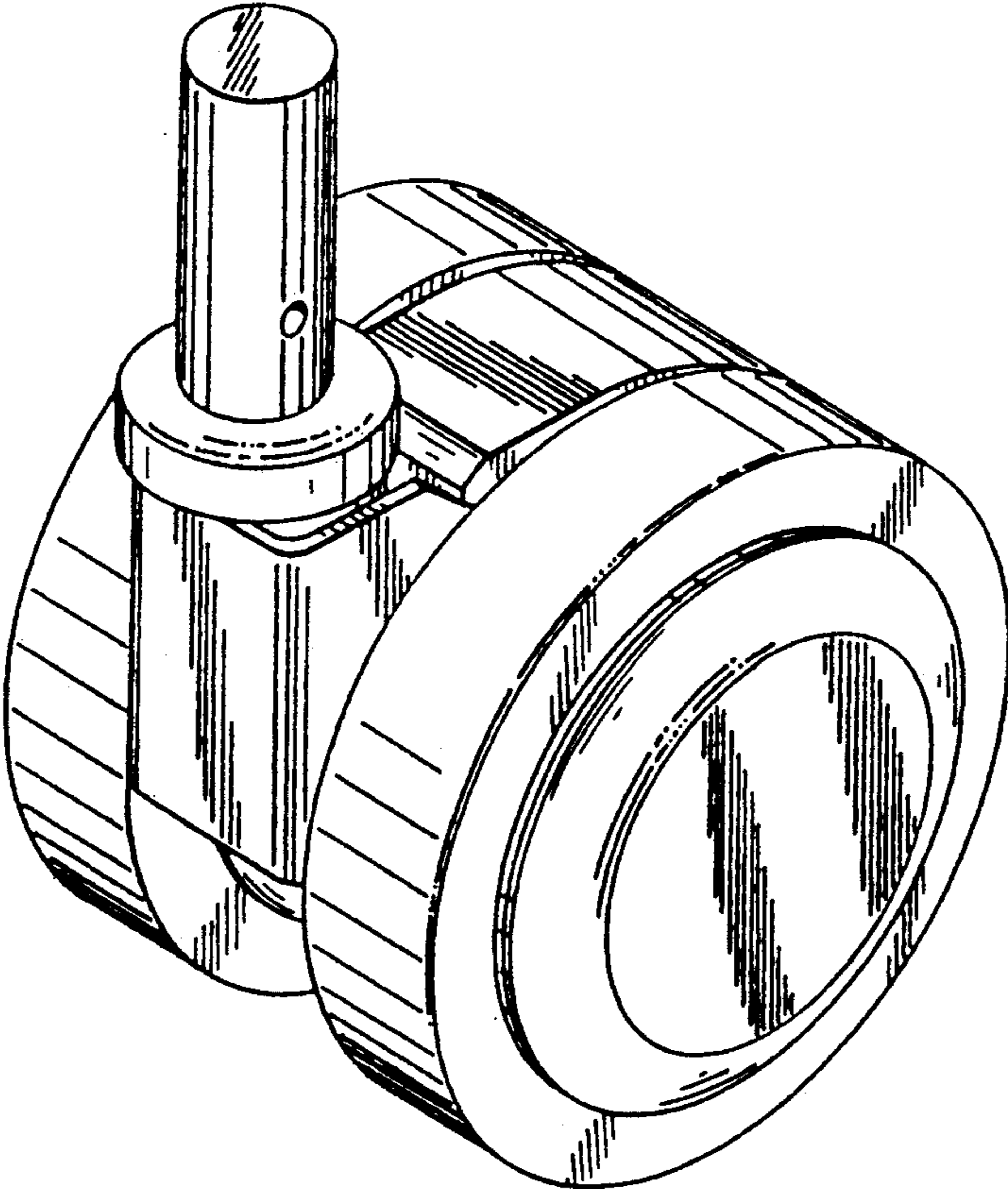
*Fig. 4*



*Fig. 5*



*Fig. 6*



*Fig. 7*