



US00D340178S

United States Patent [19]

[11] Patent Number: Des. 340,178

Kashani

[45] Date of Patent: ** Oct. 12, 1993

[54] HOUSING FOR A MAGNETIC BLADE SHARPENER

1,990,401	2/1935	Brown	51/211 H
2,347,246	4/1944	Barret	51/211 H
2,360,079	10/1944	Smith	51/211 H
4,696,129	9/1987	Roberts	76/88

[75] Inventor: Hooshang Kashani, San Juan Capistrano, Calif.

Primary Examiner—Bernard Ansher
Assistant Examiner—P. Hyder
Attorney, Agent, or Firm—Hawes & Fischer

[73] Assignee: Cashew Consulting, Inc., Irvine, Calif.

[**] Term: 14 Years

[57] CLAIM

[21] Appl. No.: 786,401

The ornamental design for a housing for a magnetic blade sharpener, as shown and described.

[22] Filed: Nov. 1, 1991

DESCRIPTION

[52] U.S. Cl. D8/91

[58] Field of Search D8/90, 91, 92, 93;
51/211 R, 211 H, 214, 205 WG, 221 BS; 76/86,
87, 88

FIG. 1 is a perspective view showing the top, the front and the left side of the housing for a magnetic blade sharpener showing my new design;

FIG. 2 is a left side elevation view, this view and the opposite right side elevation being of identical design, the broken lines representing safety razors are shown for illustrative purposes only and form no part of the claimed design;

FIG. 3 is a top plan view;

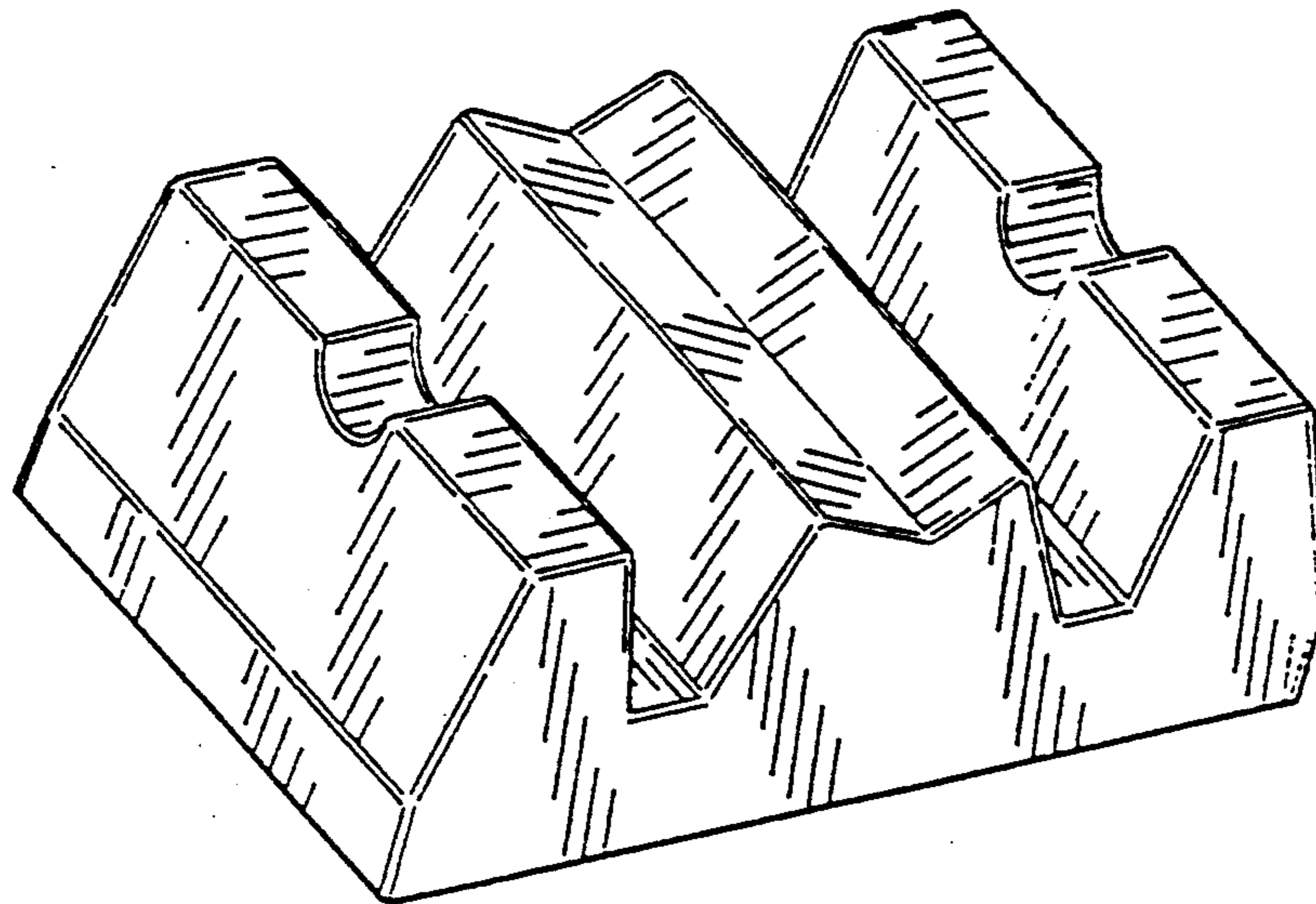
FIG. 4 is a bottom plan view; and,

FIG. 5 is a front elevational view, this view and the opposite rear elevation being of identical design.

[56] References Cited

U.S. PATENT DOCUMENTS

D. 86,520	1/1932	Hawe	D8/92
D. 101,088	9/1936	Plante	D8/92
D. 136,858	12/1943	Smith	D8/92
D. 136,883	12/1943	DeSwart	D8/92
1,091,158	3/1914	Orkin	51/211 R



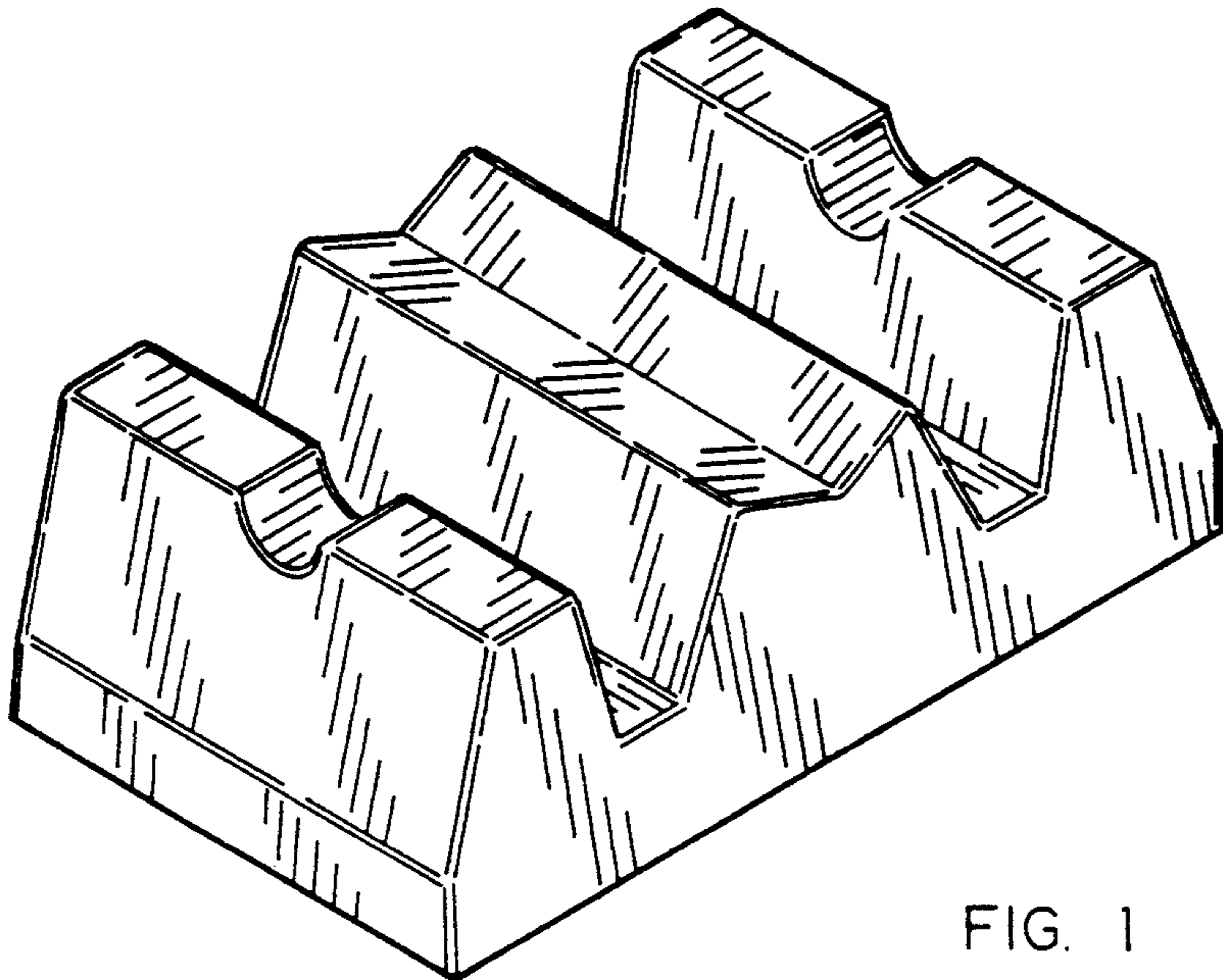


FIG. 1

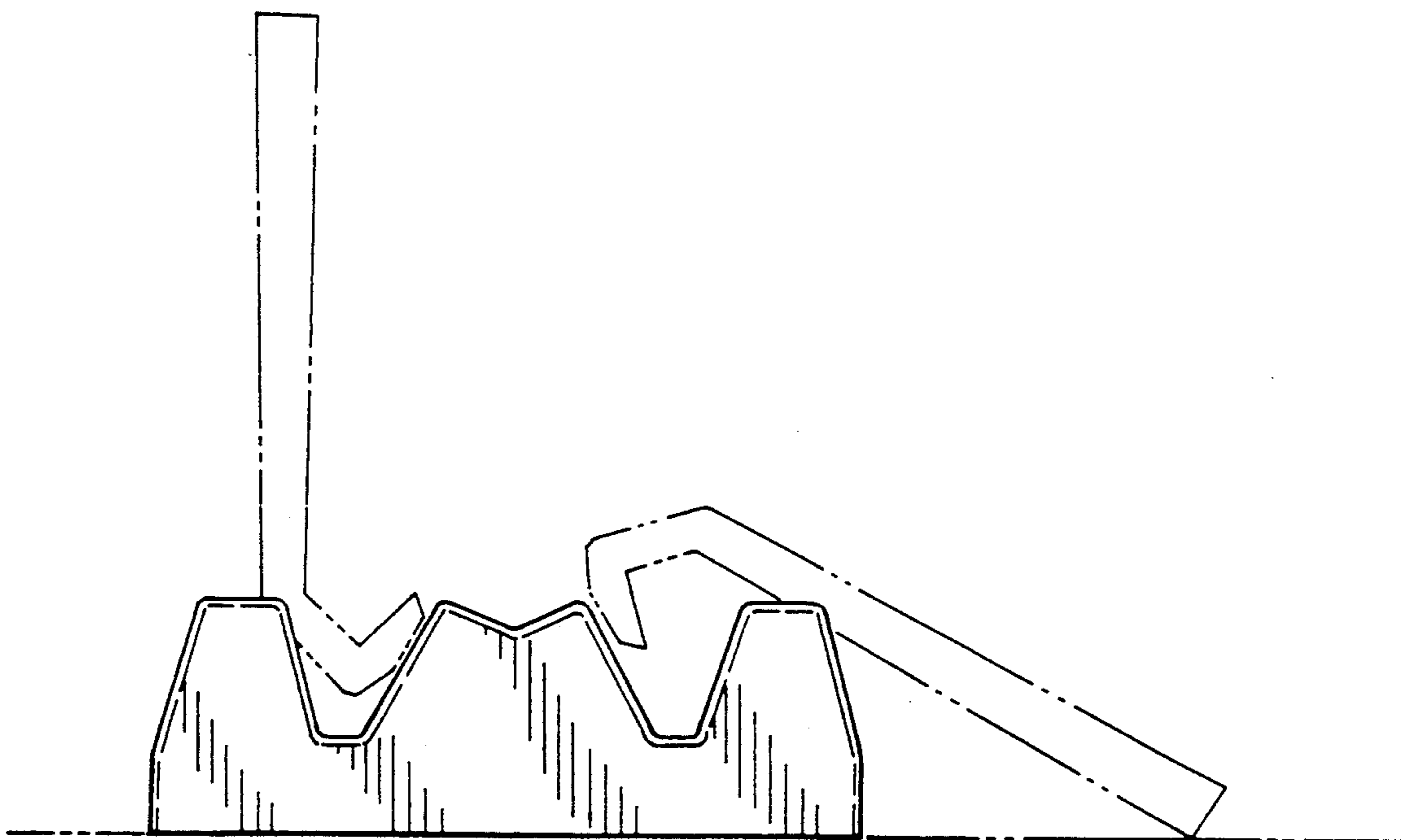


FIG. 2

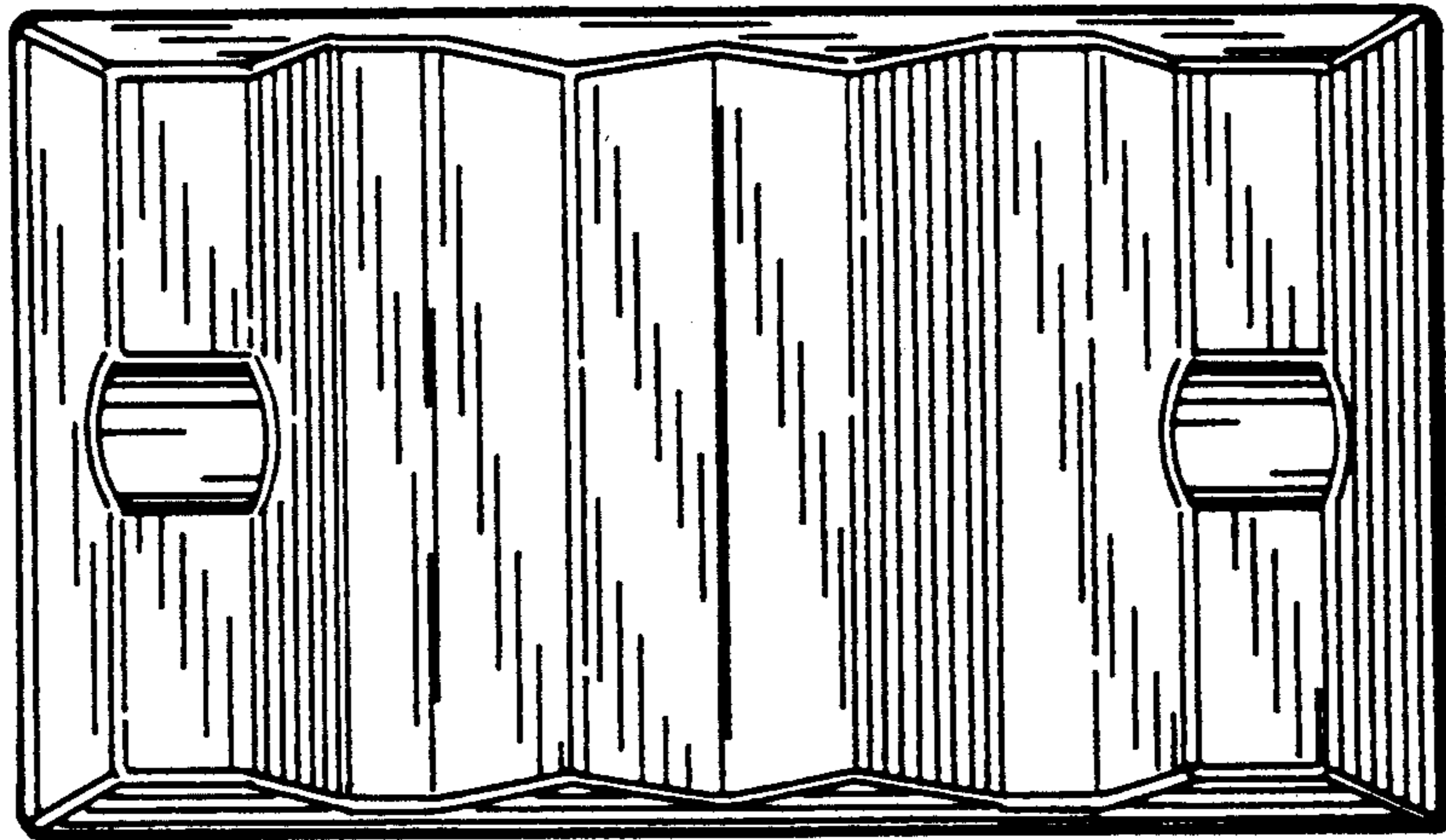


FIG. 3

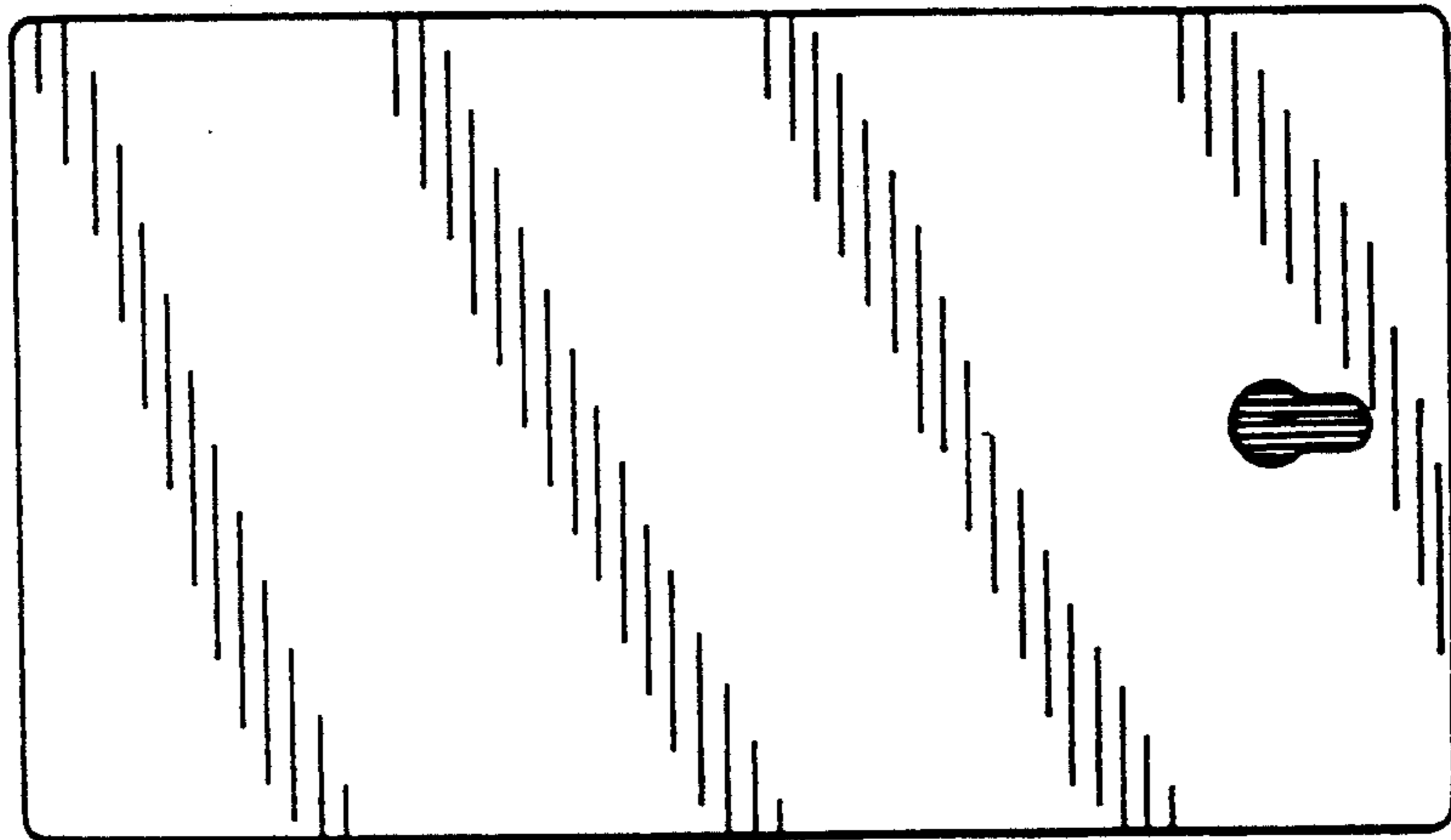


FIG. 4

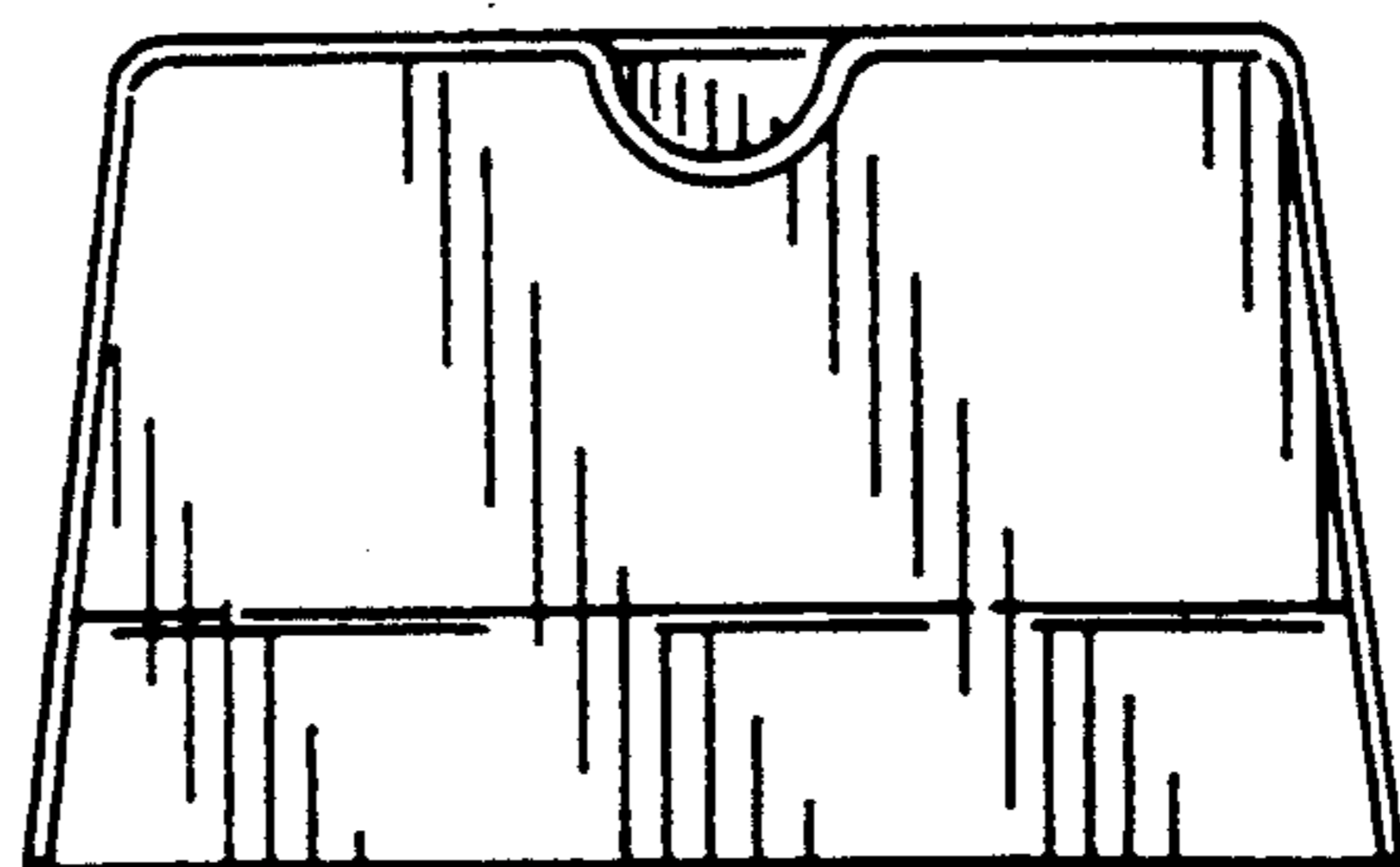


FIG. 5