



US00D340172S

United States Patent [19]

[11] Patent Number: **Des. 340,172**

Her

[45] Date of Patent: **** Oct. 12, 1993**

[54] CHAIN DISASSEMBLING TOOL

[75] Inventor: **Jern-Shong Her, Changhua, Taiwan**

[73] Assignee: **Yu Chou Enterprise Corporation, Changhua, Taiwan**

[**] Term: **14 Years**

[21] Appl. No.: **879,371**

[22] Filed: **May 7, 1992**

[52] U.S. Cl. **D8/51**

[58] Field of Search **D8/14, 105, 51; 59/7; 7/139, 165, 167, 170**

[56] References Cited

U.S. PATENT DOCUMENTS

| | | | |
|-----------|---------|------------------|------|
| 2,826,893 | 3/1958 | Falk et al. | 59/7 |
| 4,967,435 | 11/1990 | Seals | 59/7 |

OTHER PUBLICATIONS

American Bicyclist & Motorcyclist, Mar. 1987, p. 35, Chain Tool.

Bike Nashbar, 1991, p. 57, Chain Tool.

Primary Examiner—Bernard Ansher

Assistant Examiner—Philip Hyder

Attorney, Agent, or Firm—Bacon & Thomas

[57] CLAIM

The ornamental design for a chain disassembling tool, as shown and described.

DESCRIPTION

FIG. 1 is a perspective view of the chain disassembling tool;

FIG. 2 is a front view thereof;

FIG. 3 is a rear view thereof;

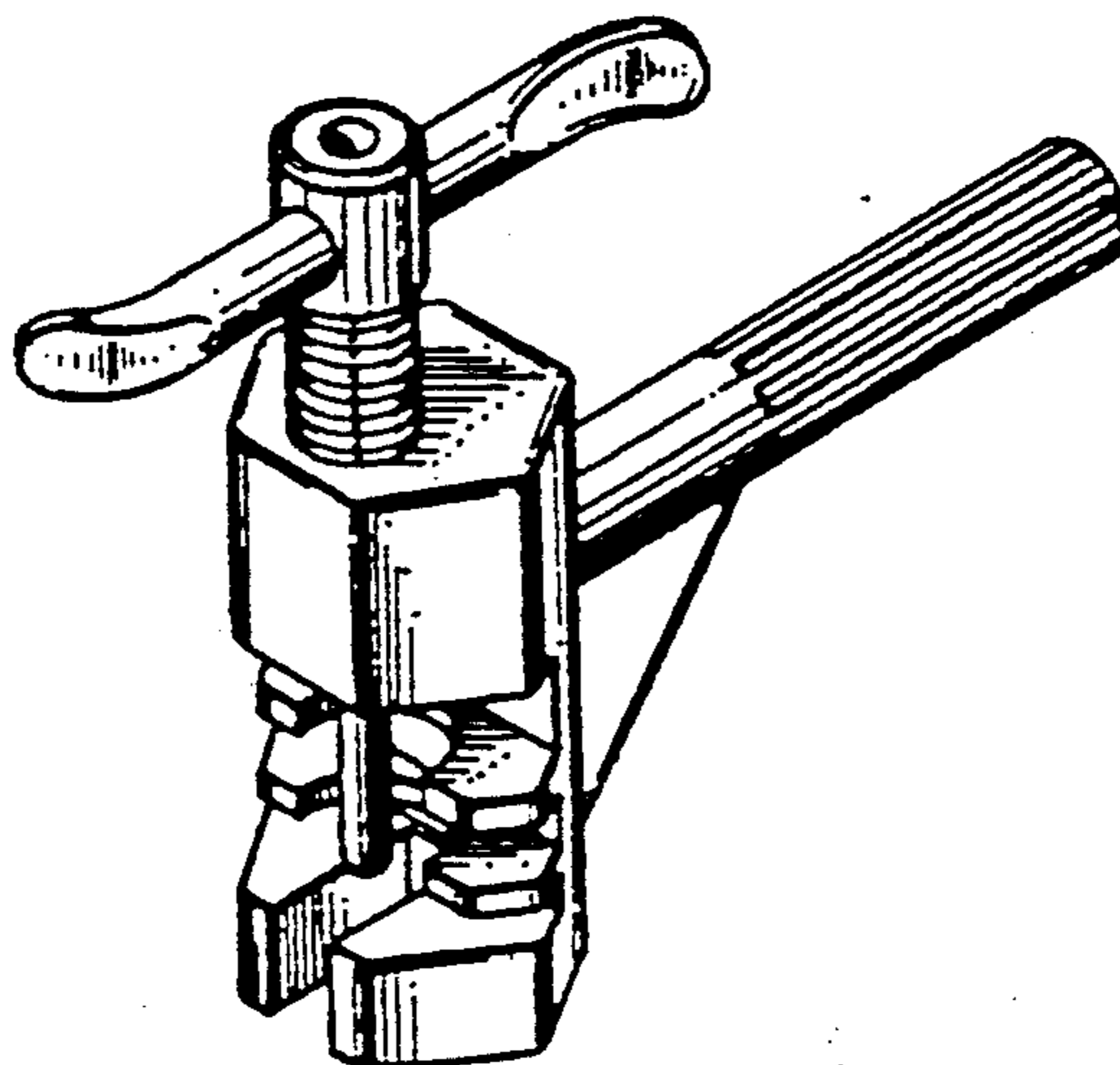
FIG. 4 is a left side view thereof;

FIG. 5 is a right side view thereof;

FIG. 6 is a top view thereof;

FIG. 7 is a bottom view thereof; and,

FIG. 8 is another perspective view thereof.



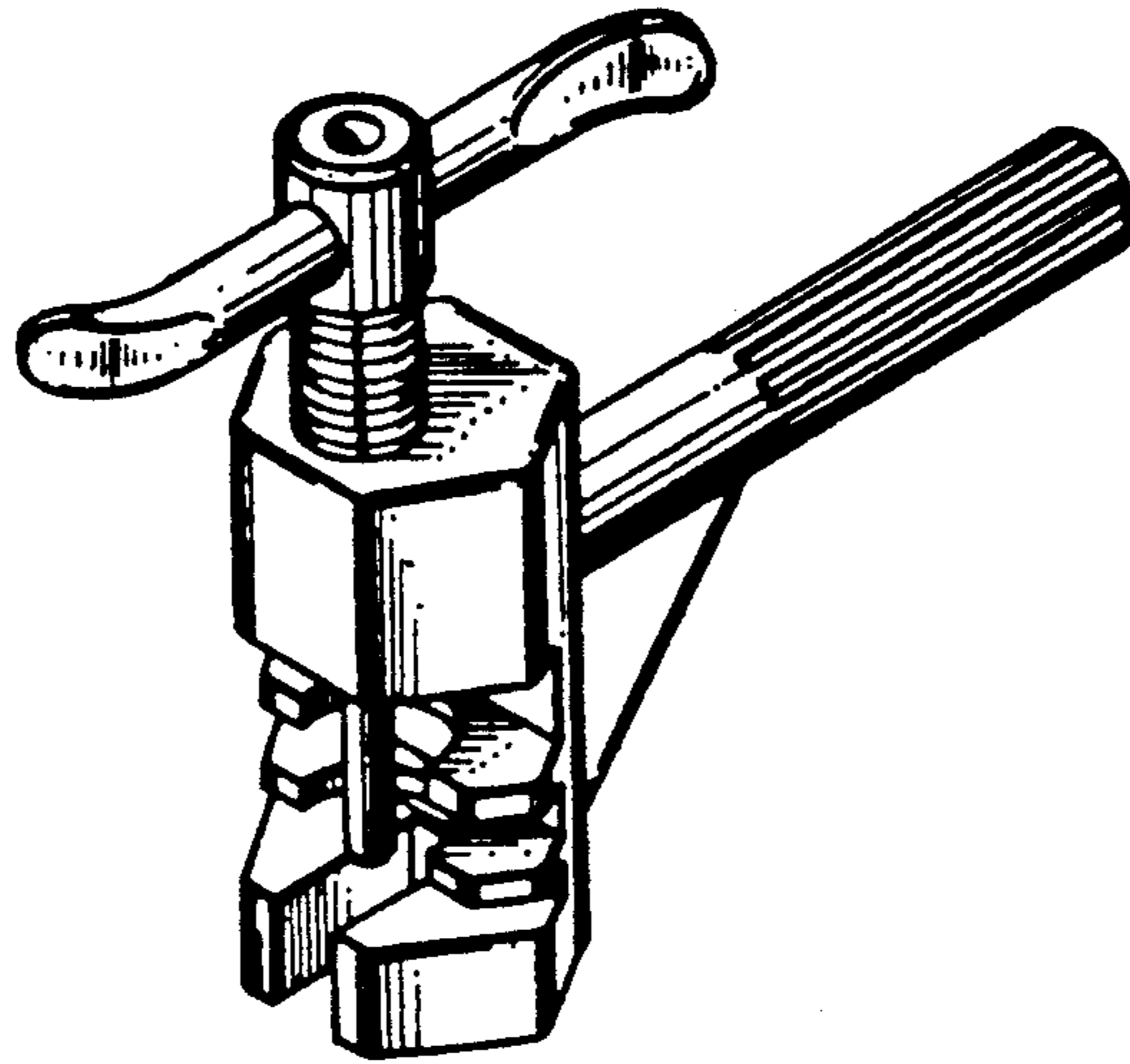


FIG. 1

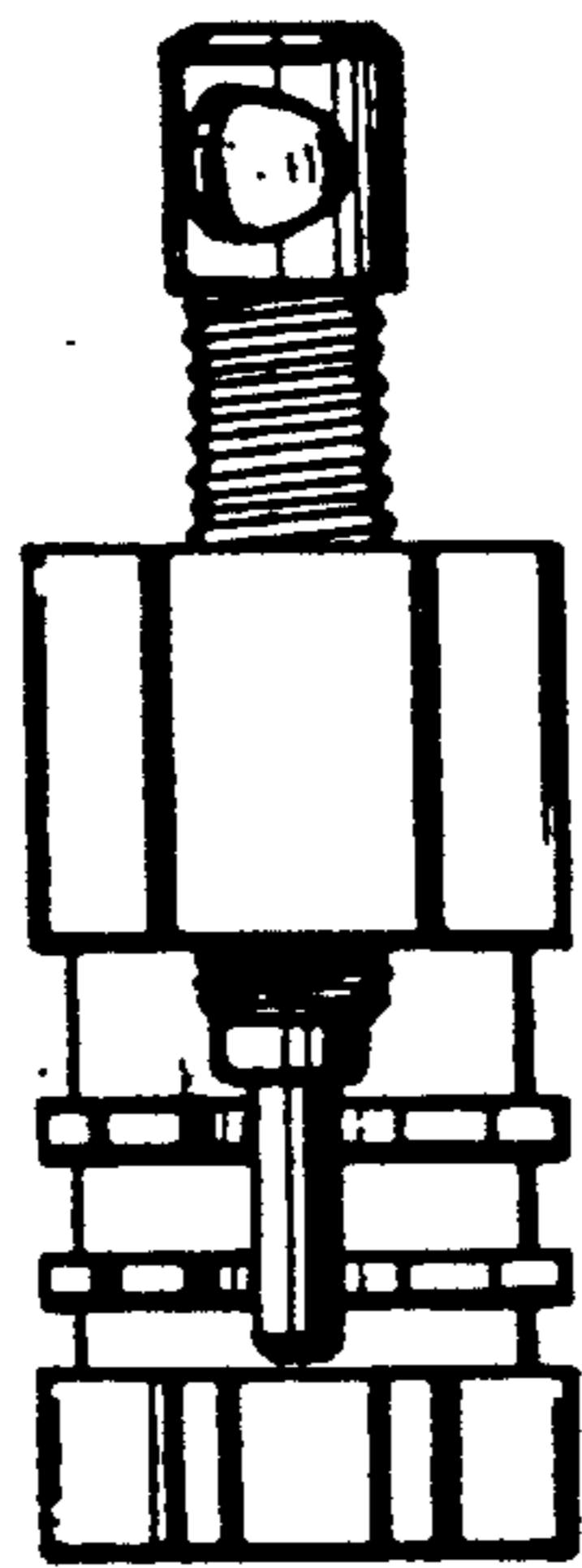


FIG. 2

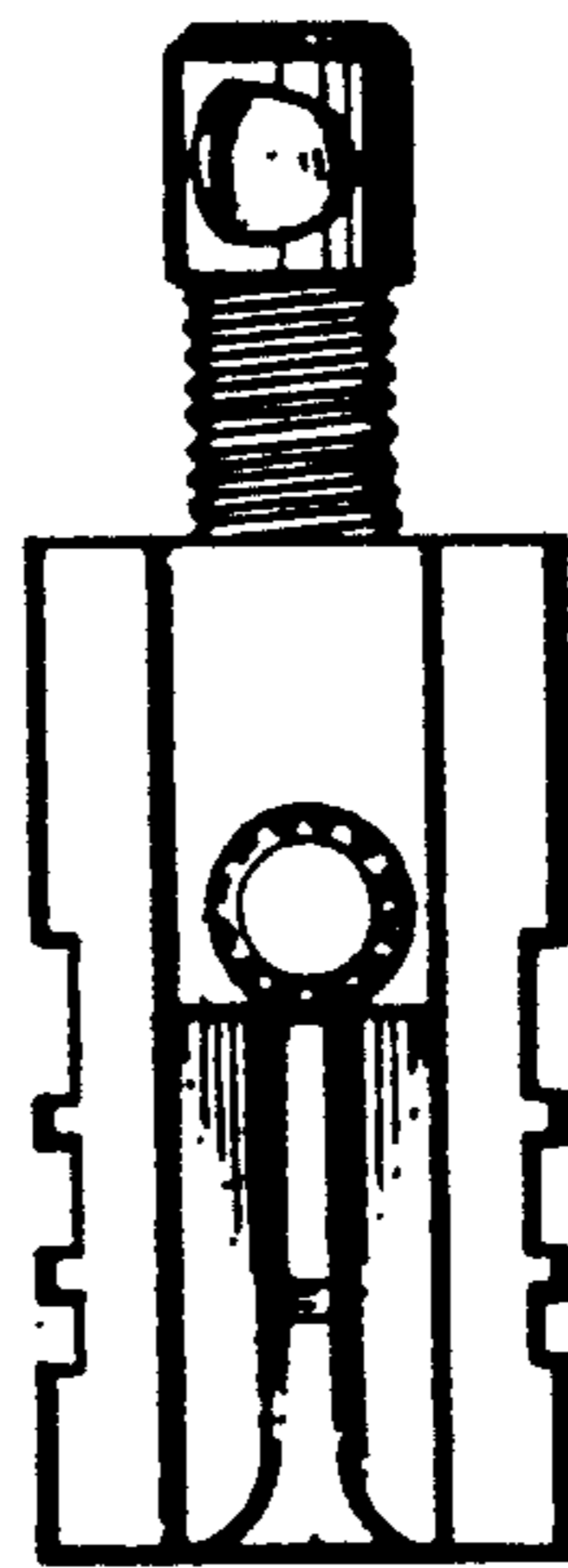


FIG. 3

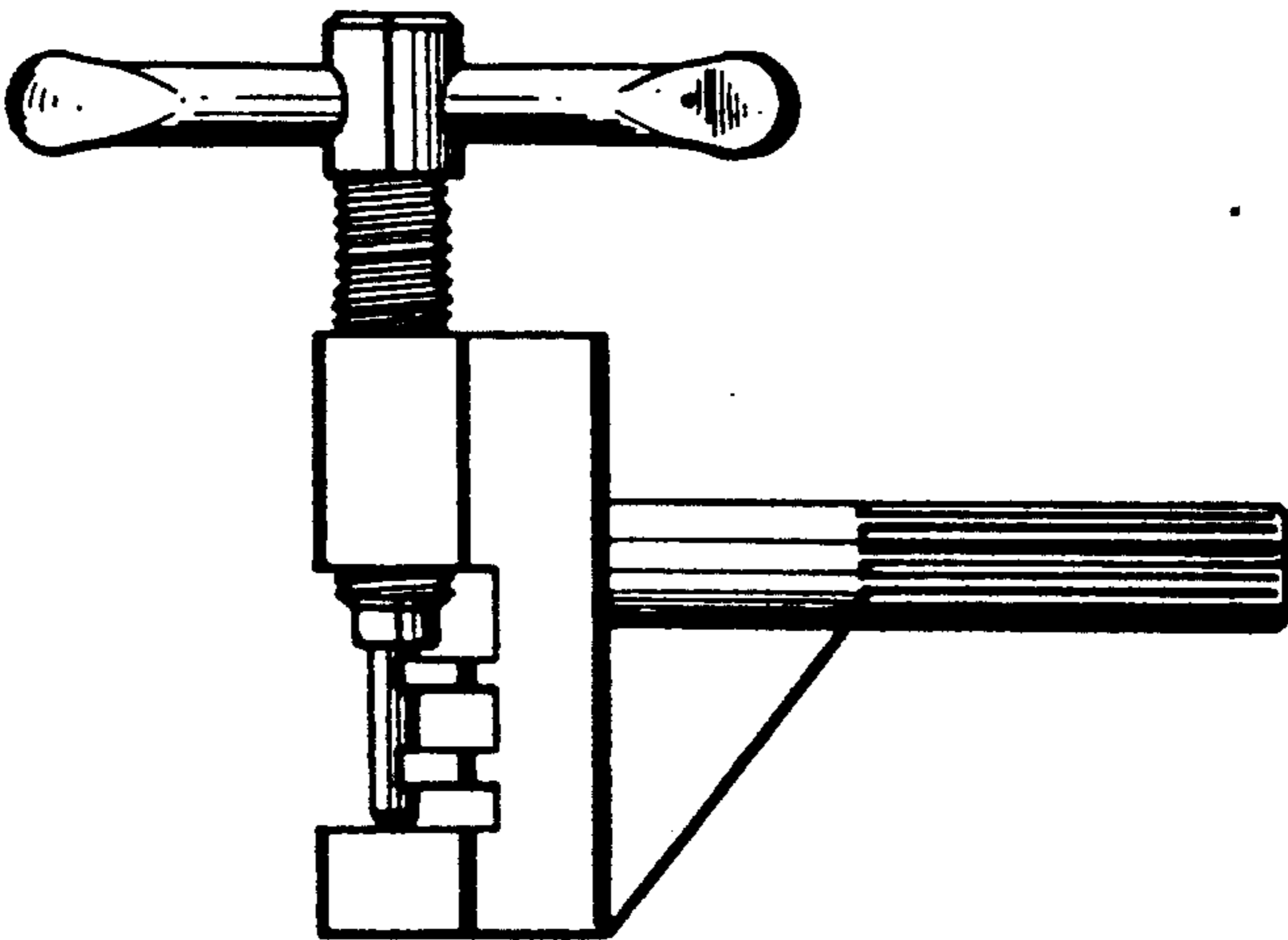


FIG. 4

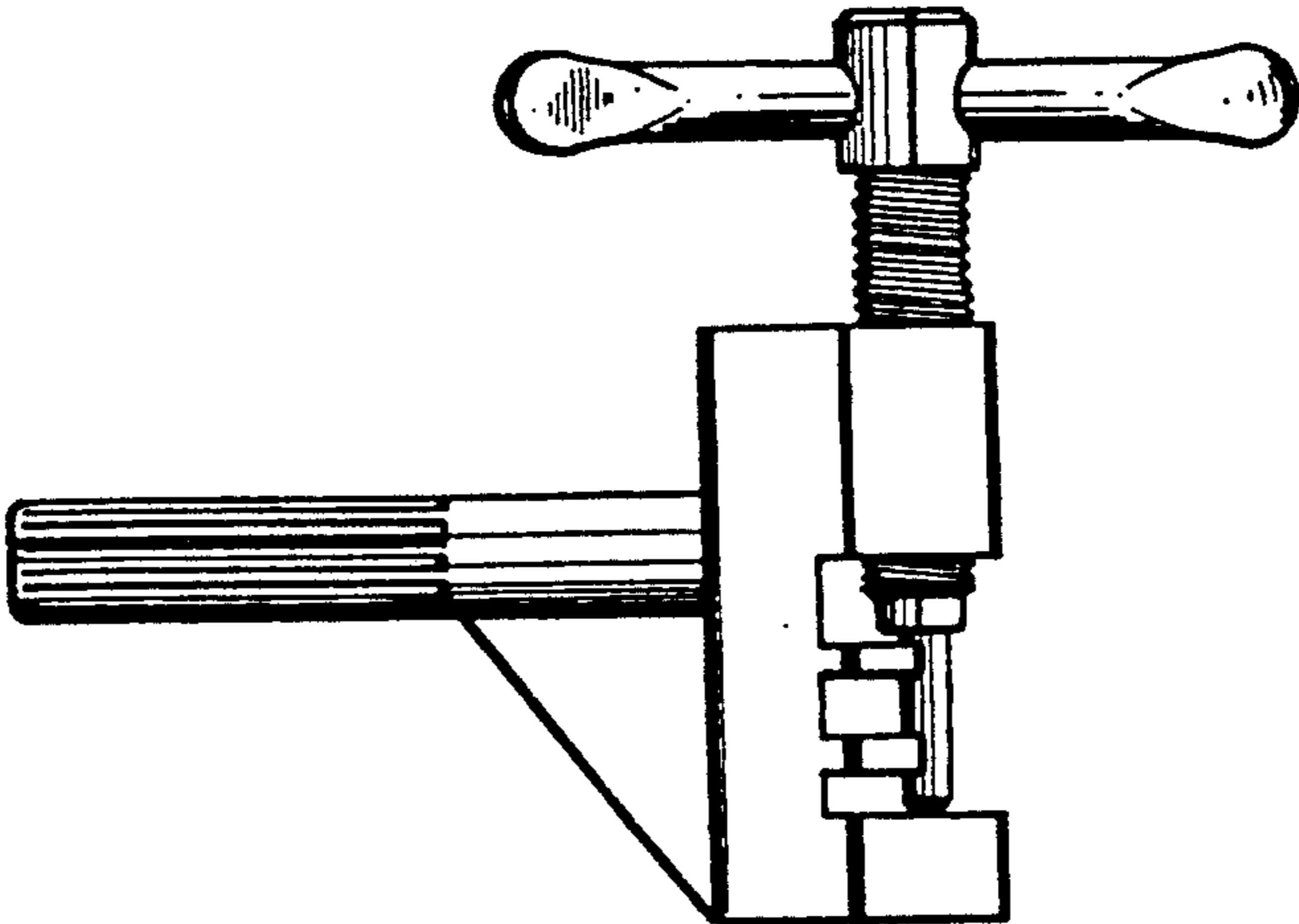


FIG. 5

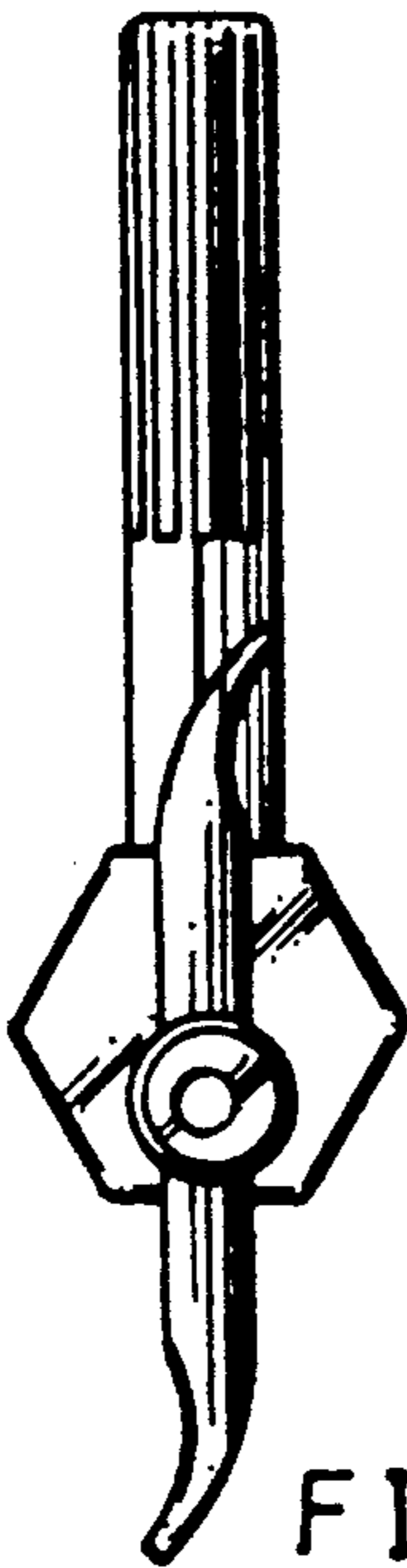


FIG. 6

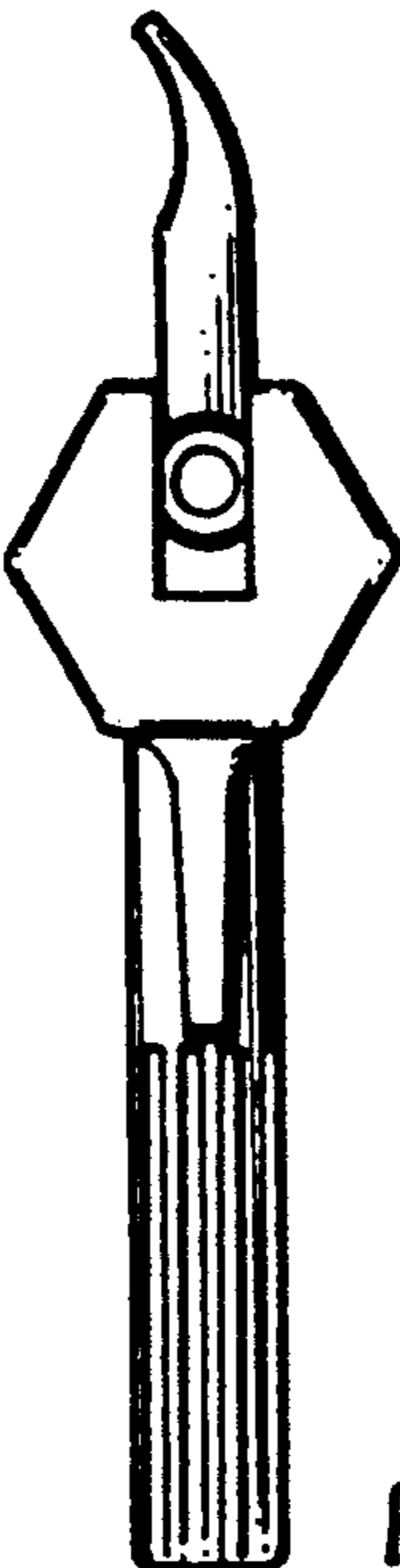


FIG. 7

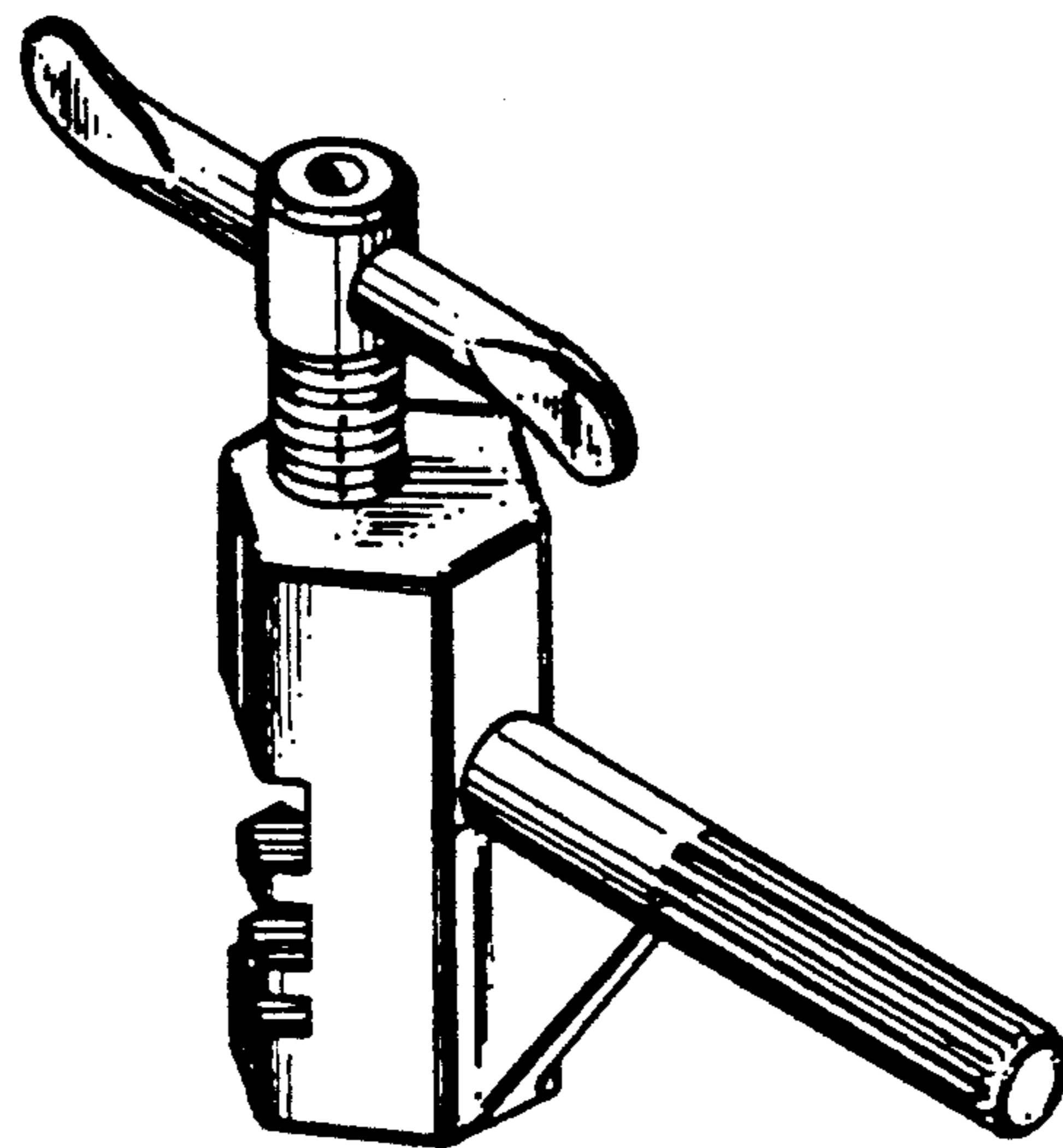


FIG. 8