



US00D340170S

# United States Patent [19]

[11] Patent Number: **Des. 340,170**

McMills et al.

[45] Date of Patent: **\*\* Oct. 12, 1993**

[54] **COAXIAL CABLE CONNECTOR  
INSTALLATION TOOL**

3,769,862 11/1973 Miller ..... 81/176.1  
4,867,017 9/1989 Holman ..... 81/120

[75] Inventors: **Corey McMills**, Los Altos; **John Mattis**, Sunnyvale, both of Calif.

*Primary Examiner*—B. J. Bullock  
*Assistant Examiner*—P. Hyder  
*Attorney, Agent, or Firm*—Herbert G. Burkard; A. Stephen Zavell

[73] Assignee: **Raychem Corporation**, Menlo Park, Calif.

[\*\*] Term: **14 Years**

[57] **CLAIM**

The ornamental design for a coaxial cable connector installation tool, as shown and described.

[21] Appl. No.: **534,204**

[22] Filed: **Jun. 6, 1990**

**DESCRIPTION**

[52] U.S. Cl. .... **D8/14**

[58] Field of Search ..... D8/14, 22, 71;  
29/281.1; 81/119, 120, 121.1, 176.1

FIG. 1 is a perspective view of the coaxial cable connector installation tool showing our new design;  
FIG. 2 is a top plan view thereof;  
FIG. 3 is a bottom plan view thereof;  
FIG. 4 is a front elevational view thereof;  
FIG. 5 is a rear elevational view thereof;  
FIG. 6 is a right side elevational view thereof; and,  
FIG. 7 is a left side elevational view thereof.

[56] **References Cited**

**U.S. PATENT DOCUMENTS**

2,959,995 11/1960 Linden ..... 81/120  
2,987,080 6/1961 Chandler et al. .... 81/176.1

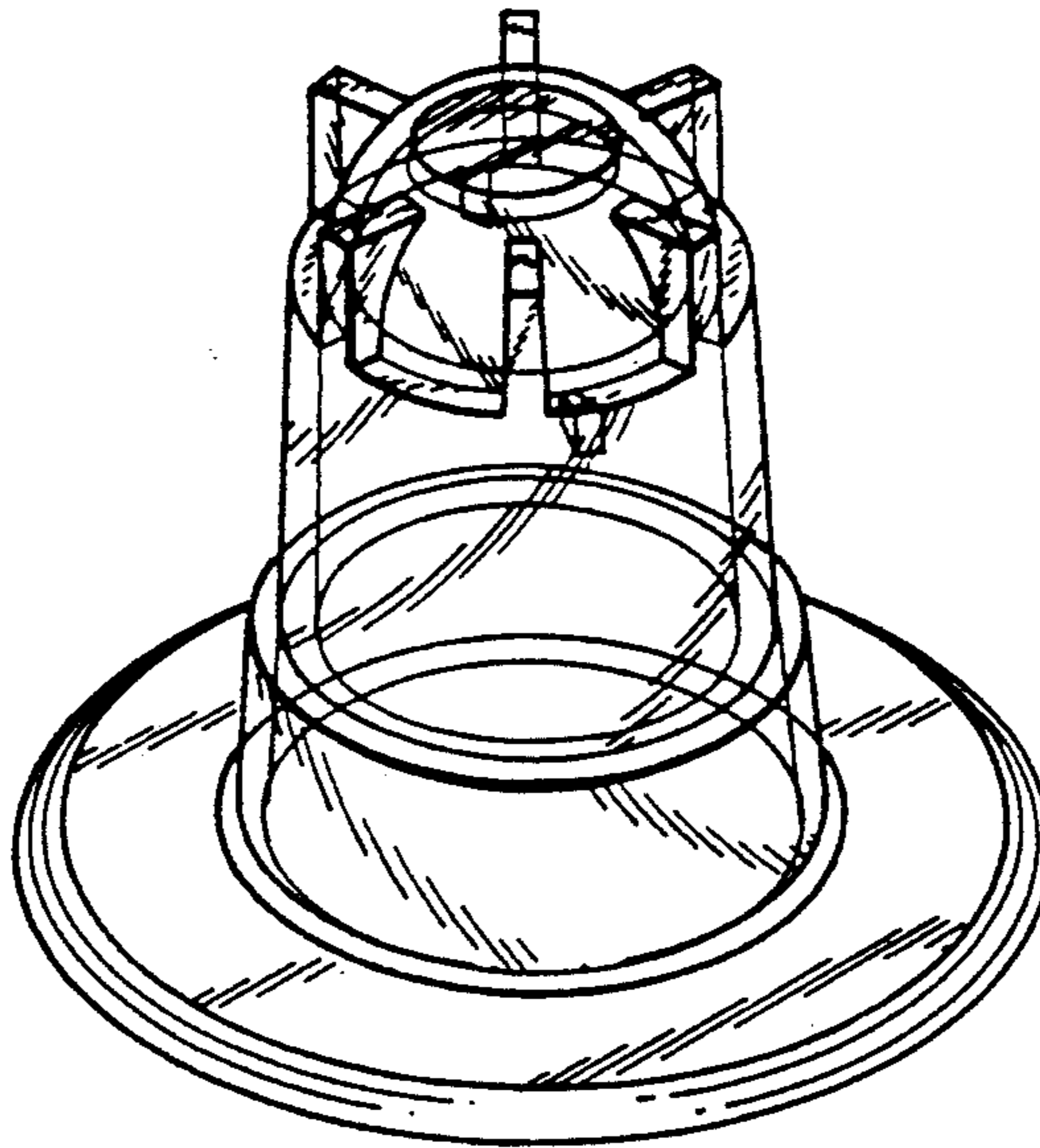


FIG. 1

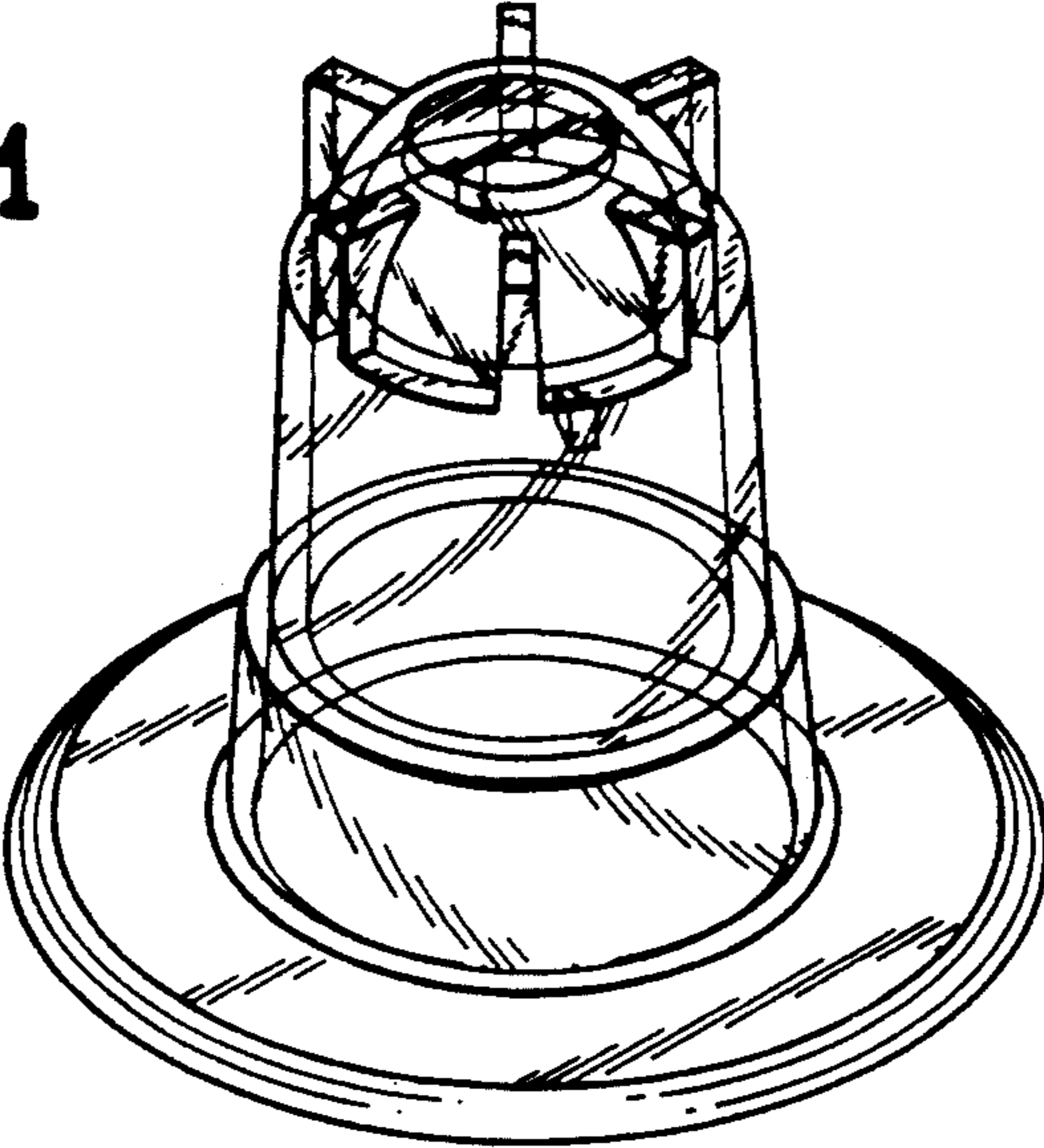


FIG. 2

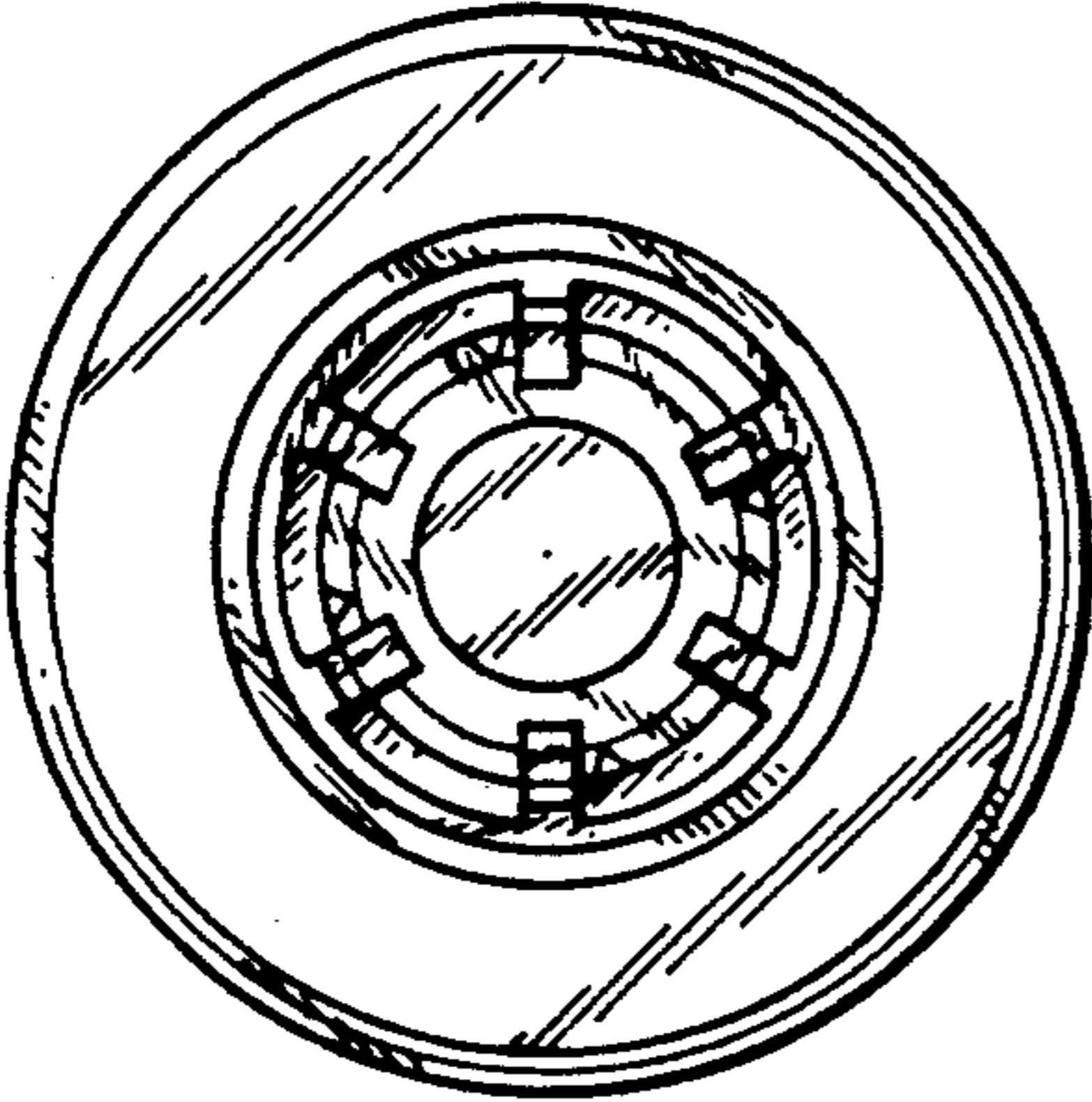


FIG. 3

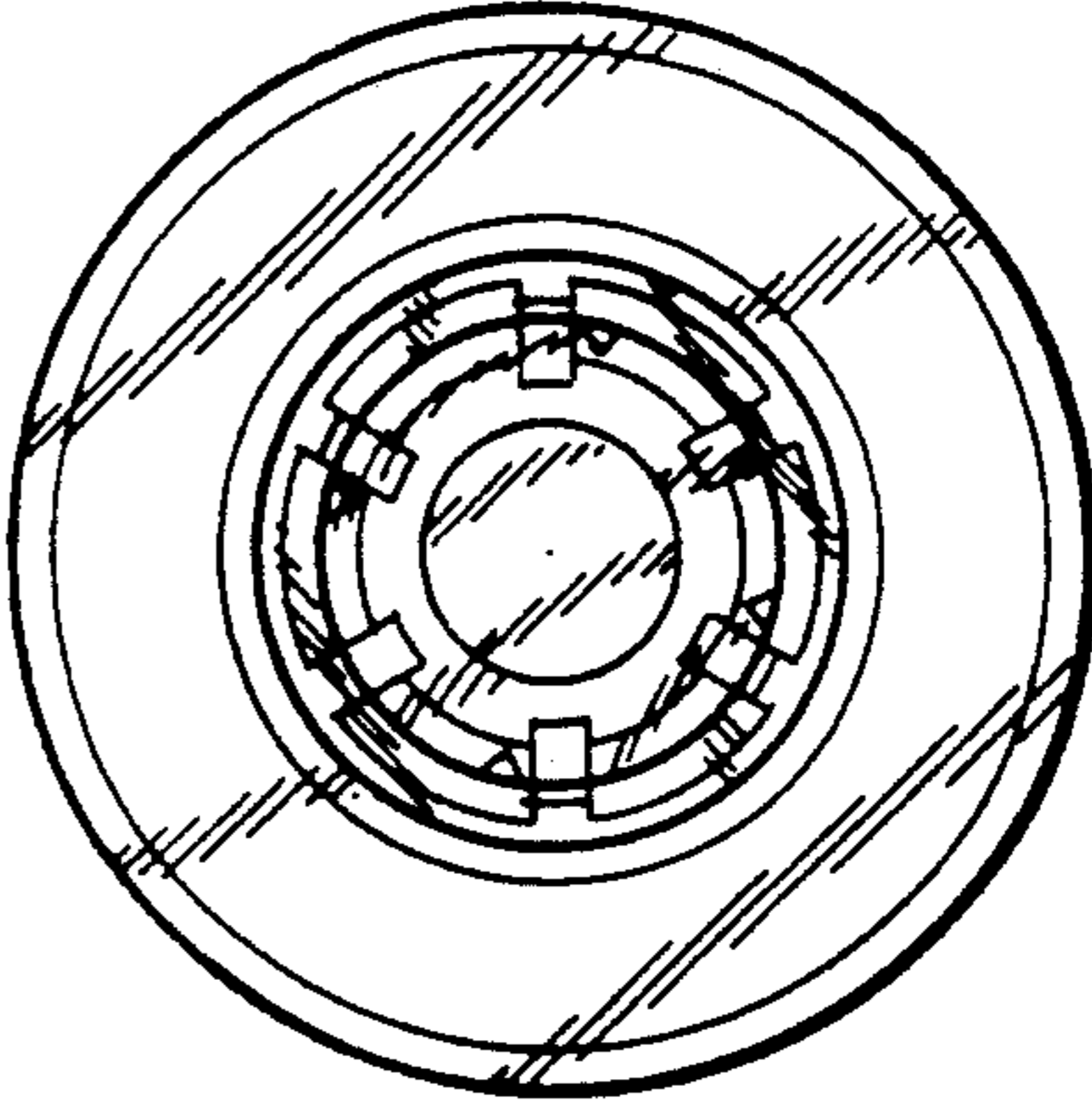


FIG. 4

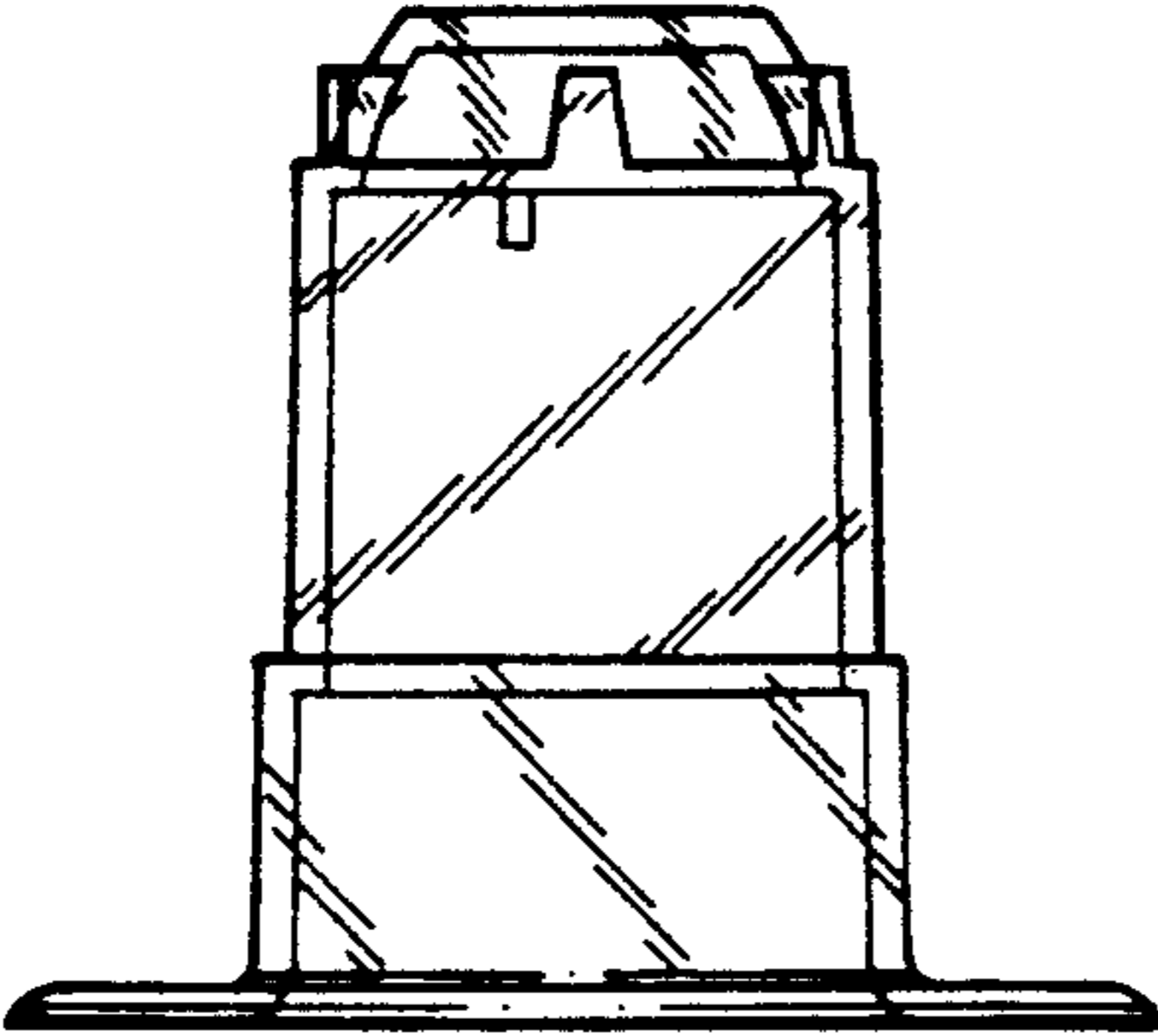


FIG. 5

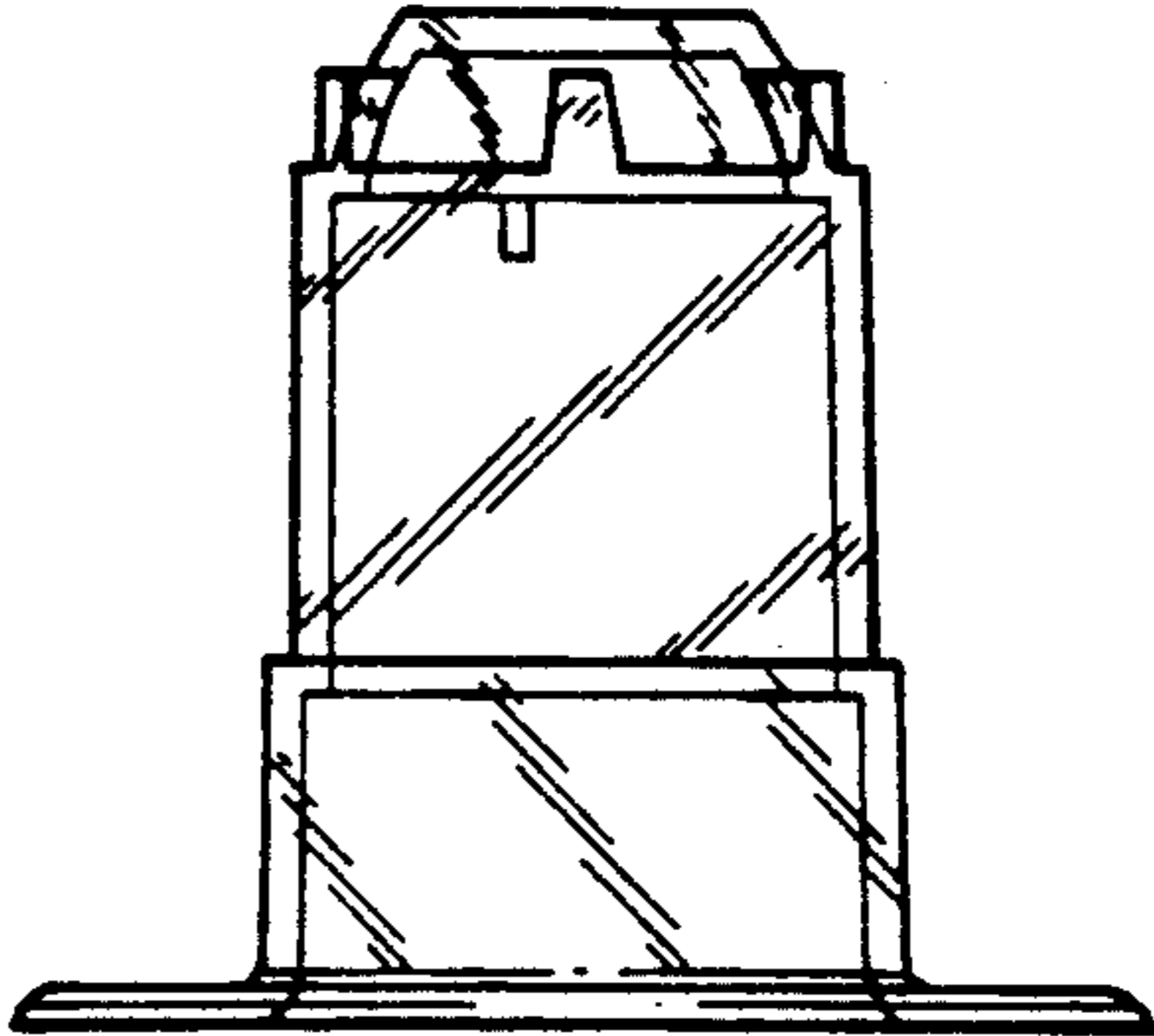


FIG. 6

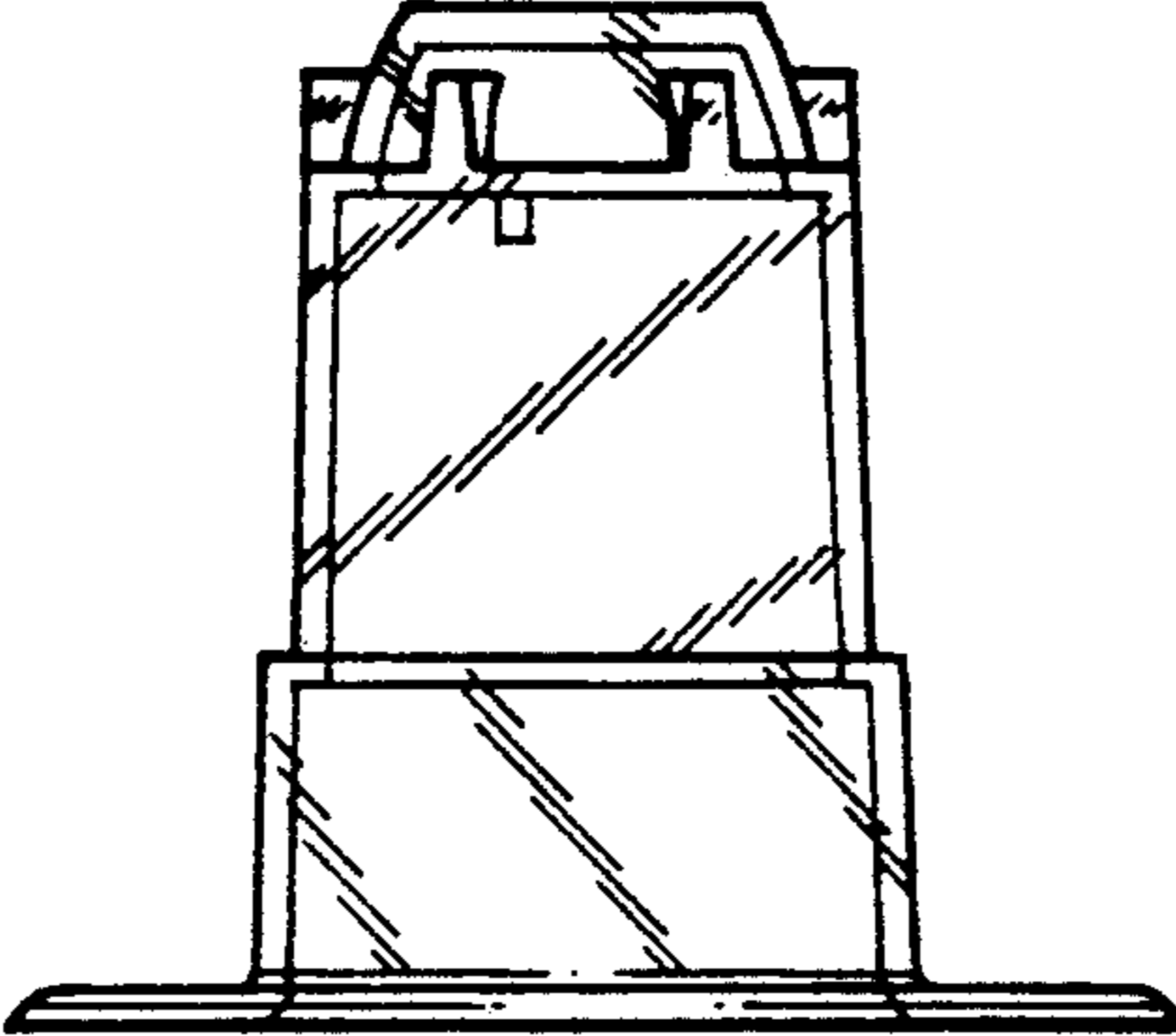


FIG. 7

