



US00D340169S

# United States Patent [19]

[11] Patent Number: Des. 340,169

Scott, Jr. et al.

[45] Date of Patent: \*\* Oct. 12, 1993

[54] SECTIONAL PLANTER

[75] Inventors: Harry W. Scott, Jr., Dover; Randall W. Britt; Kenneth L. Renfro, both of Russelville, all of Ark.

[73] Assignee: Thompson Industries, Inc., Russellville, Ark.

[\*\*] Term: 14 Years

[21] Appl. No.: 786,992

[22] Filed: Nov. 4, 1991

[52] U.S. Cl. .... D8/1; D11/155

[58] Field of Search ..... D8/1, 499; D11/13, 155; D12/154; 47/33; 52/102, 233; 59/78, 80, 84-85, 88, 11

4,664,358 5/1987 Clark ..... 52/233 X

4,747,231 5/1988 LeMay et al. .

4,761,923 8/1988 Reum et al. .

4,767,232 8/1988 Francis .

4,787,475 11/1988 Arteau et al. .

4,834,585 5/1989 Hasenwinkle et al. .... 52/233 X

4,869,018 9/1989 Scales et al. .... 47/33

4,897,955 2/1990 Winsor .

4,905,409 3/1990 Cole ..... 52/233 X

4,910,910 3/1990 Jones .

4,967,526 11/1990 Yost .

4,986,042 1/1991 Richardt ..... 47/33 X

4,997,316 3/1991 Rose .

5,038,557 8/1991 Otsuki et al. .... 59/80

5,119,587 6/1992 Waltz ..... 47/33

[56] **References Cited**  
**U.S. PATENT DOCUMENTS**

D. 217,273 4/1970 Adelman ..... D25/113

D. 223,585 5/1973 Adelman ..... D25/113

1,219,786 3/1917 Splatter .

1,598,250 8/1926 Person ..... 59/80

1,809,508 6/1931 Colby .

1,830,188 11/1931 Bellavance ..... 59/80

2,687,033 8/1954 Snyder .

2,951,606 9/1960 Benson .

3,006,038 10/1961 Sullivan ..... 52/233 X

3,324,619 6/1967 Gearhart .

3,343,301 9/1967 Adelman ..... 47/33

3,396,488 8/1968 Ries ..... D8/1 X

3,415,013 12/1968 Galbraith ..... 47/33 X

3,487,579 1/1970 Brettingen .

3,545,128 12/1970 Fontaine et al. .

3,742,665 7/1973 Henry et al. .

3,837,163 9/1974 Fujimon ..... 59/80

4,269,026 5/1981 Bulle et al. .... 59/85 X

4,312,606 1/1982 Sarikelle .

4,391,077 7/1983 Gless .

4,433,944 2/1984 Plica et al. .

4,522,006 6/1985 Plikuhn ..... 52/233 X

### OTHER PUBLICATIONS

Design Wood Brochure, 1991, Cover Page, Interlocking Wood Pieces—Cited by applicant.

*Primary Examiner*—Wallace R. Burke  
*Assistant Examiner*—H. Baynham  
*Attorney, Agent, or Firm*—Stephen D. Carver; Jerry L. Mahurin

### [57] CLAIM

The ornamental design for a sectional planter, as shown and described.

### DESCRIPTION

FIG. 1 is a front perspective view of a sectional planter showing our new design;

FIG. 2 is a front isometric view thereof;

FIG. 3 is a top plan view thereof;

FIG. 4 is a right end elevational view thereof;

FIG. 5 is a front elevational view thereof;

FIG. 6 is a rear elevational view thereof;

FIG. 7 is a left end elevational view thereof; and,

FIG. 8 is a rear perspective view thereof.

With the exception of the raised sides the undisclosed bottom plan view is identical to the top plan view.

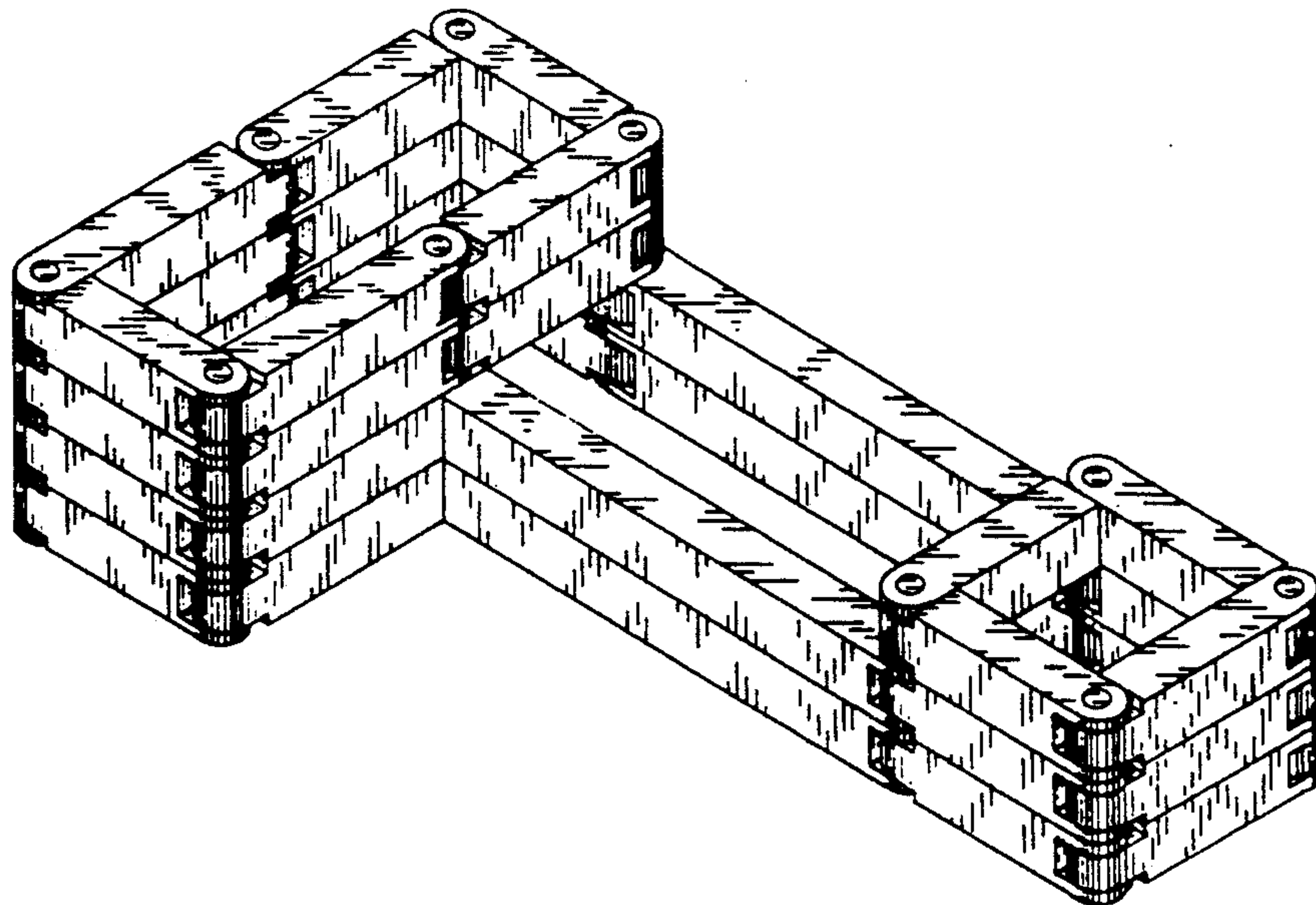


FIG. 1

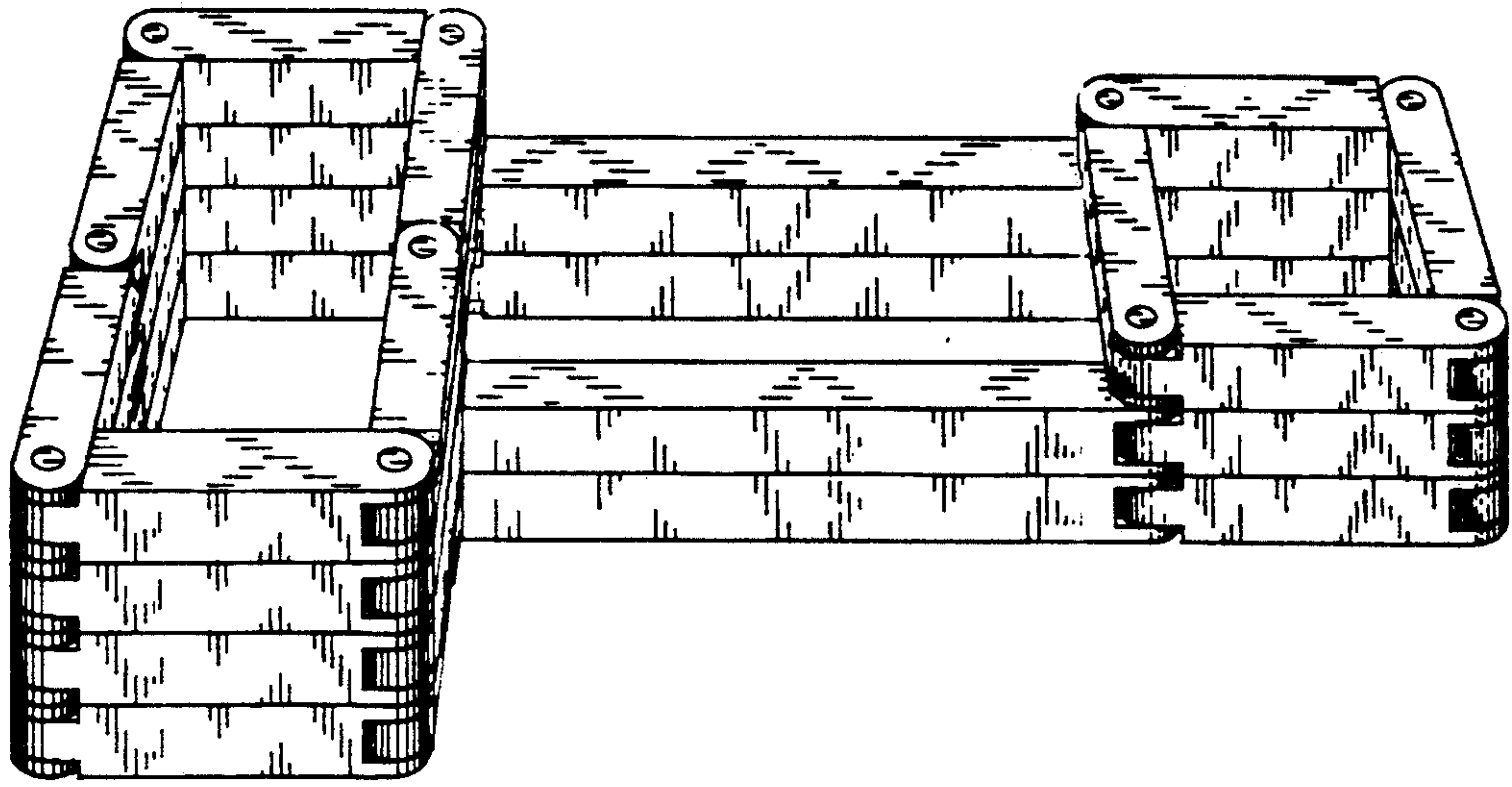


FIG. 2

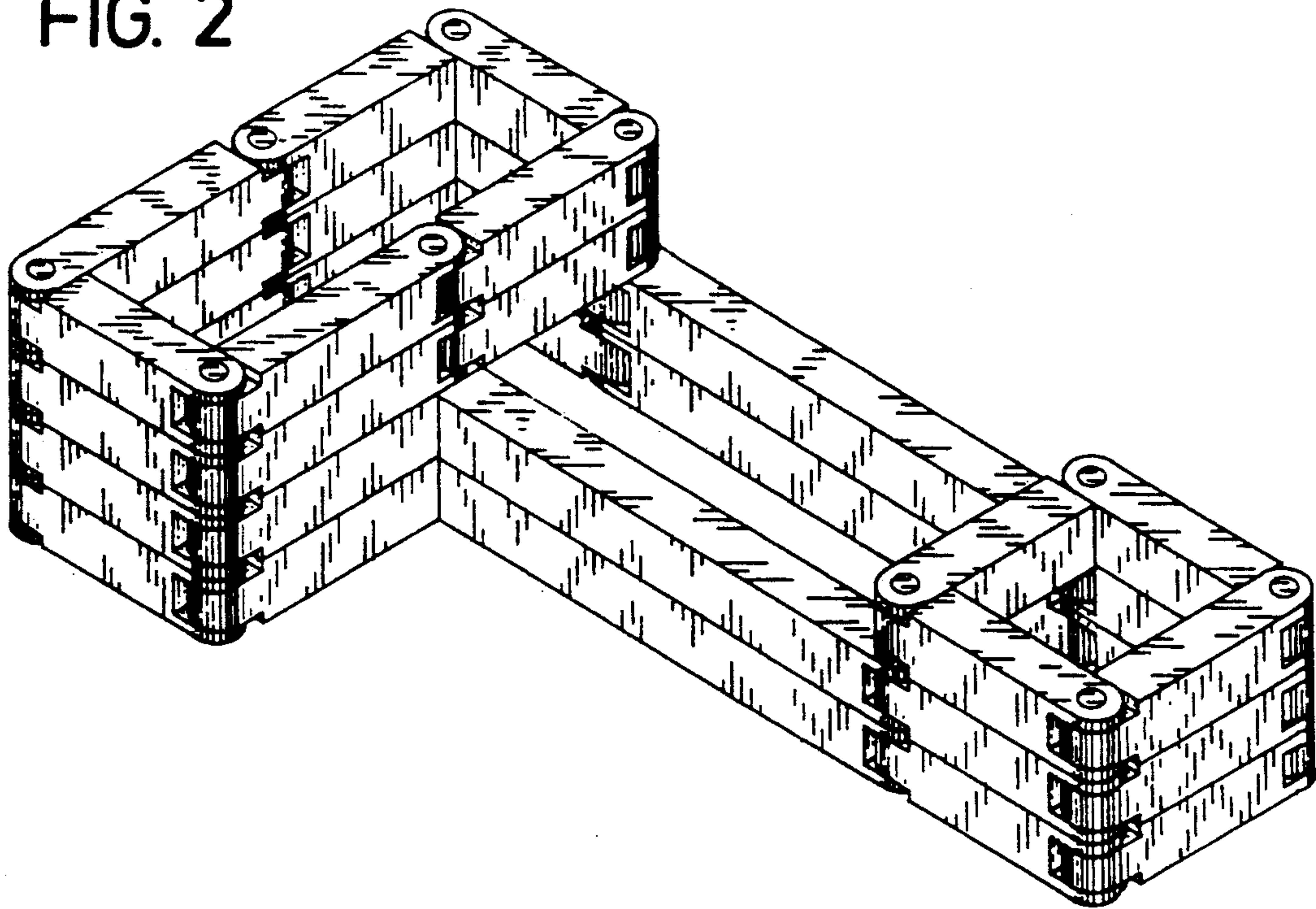




FIG. 3

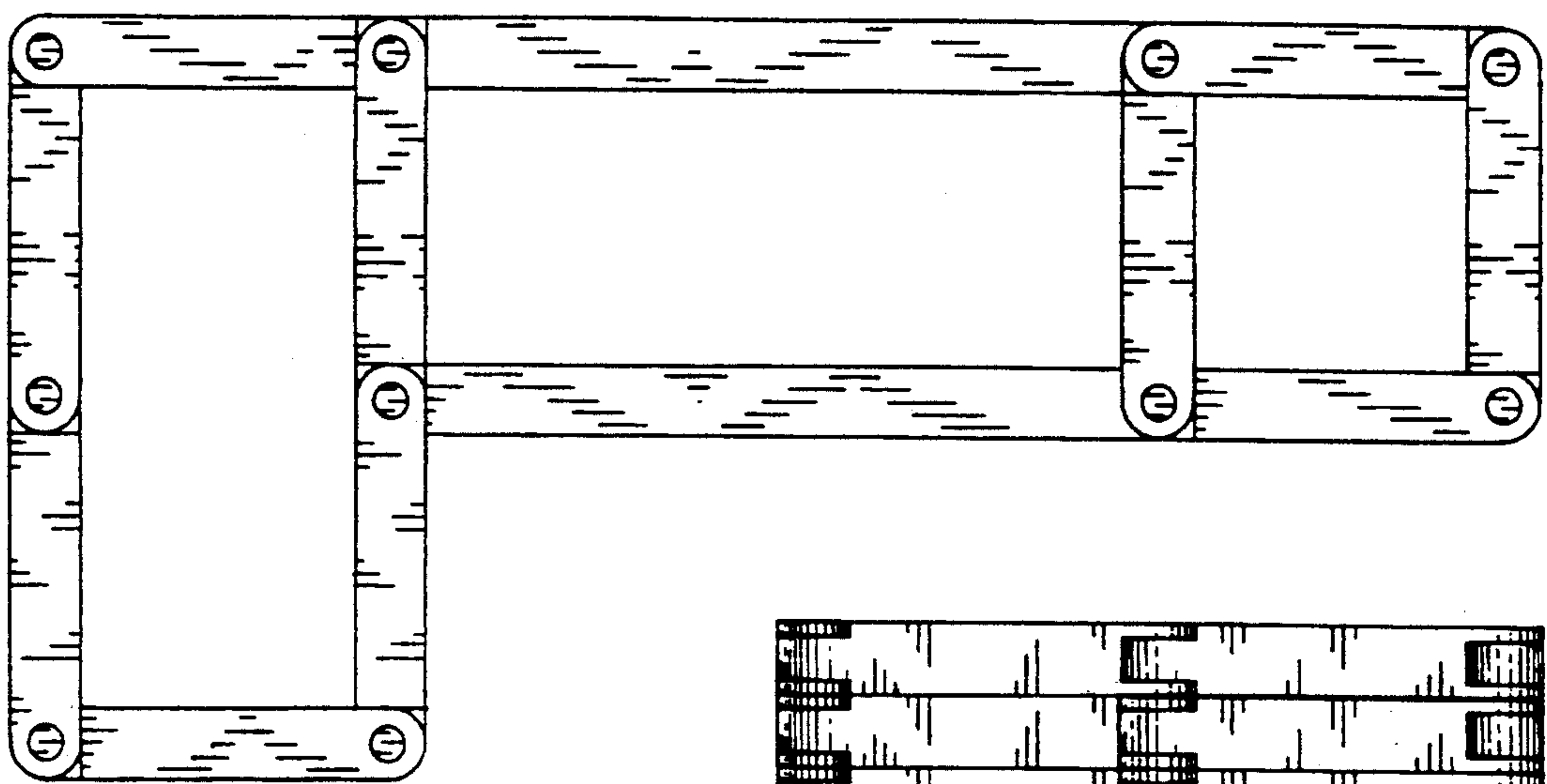


FIG. 5

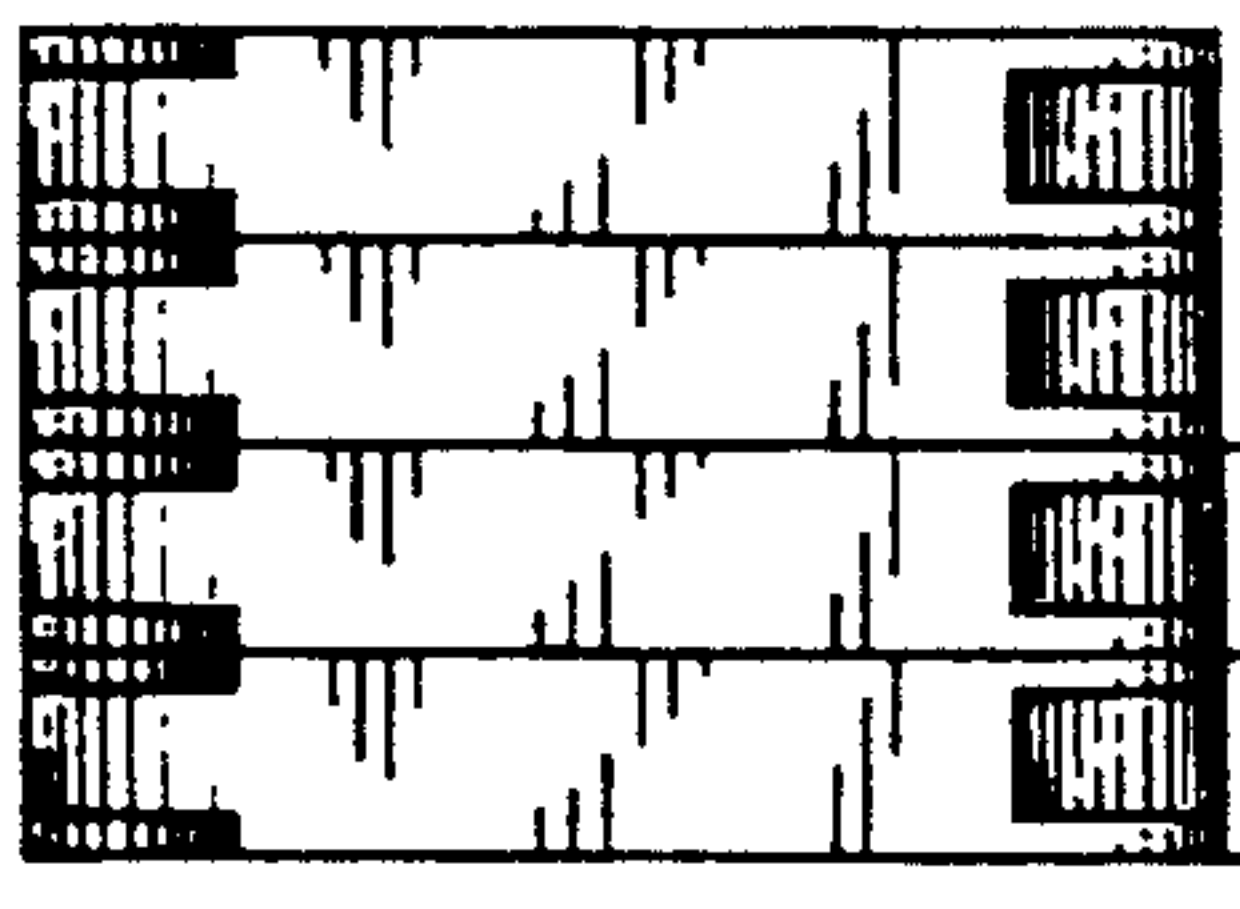


FIG. 4

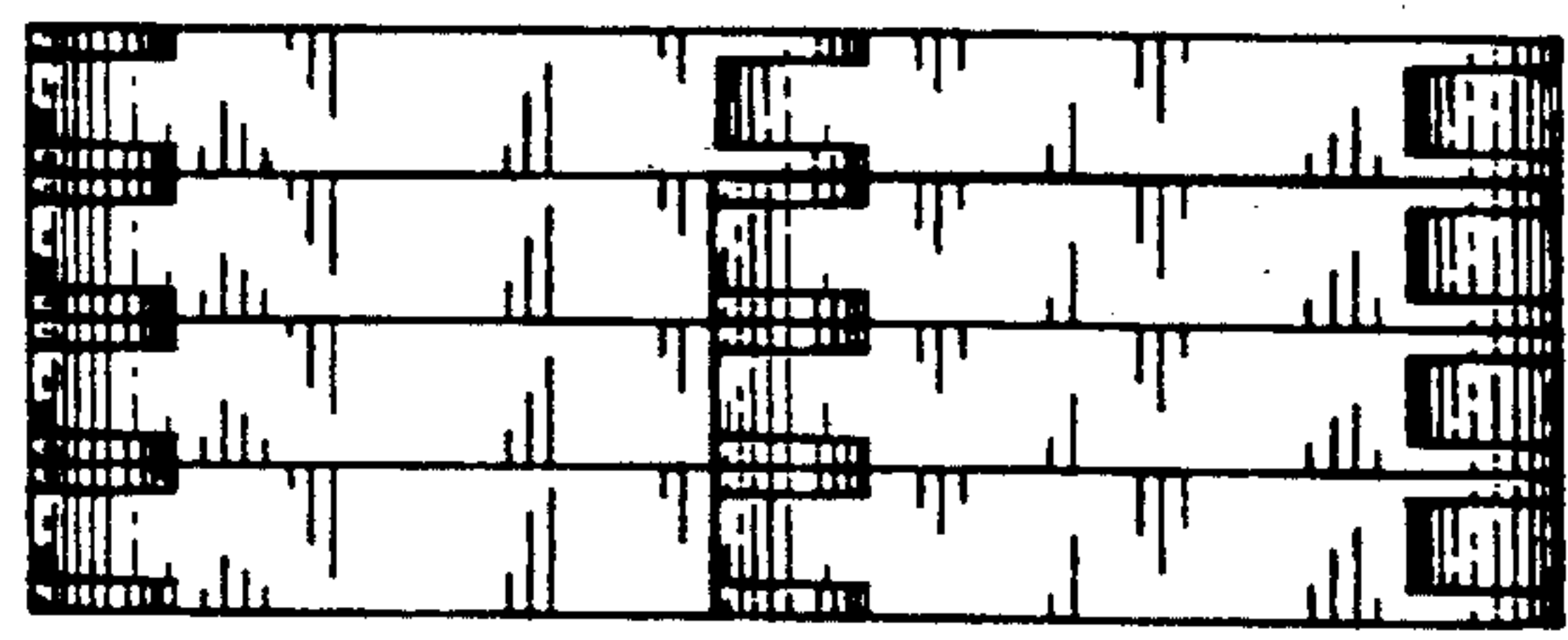


FIG. 6

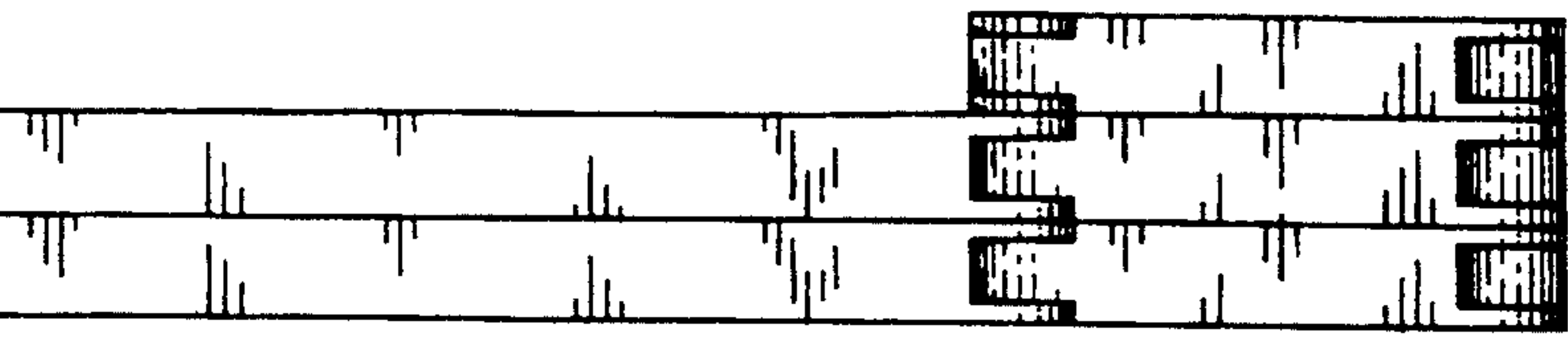
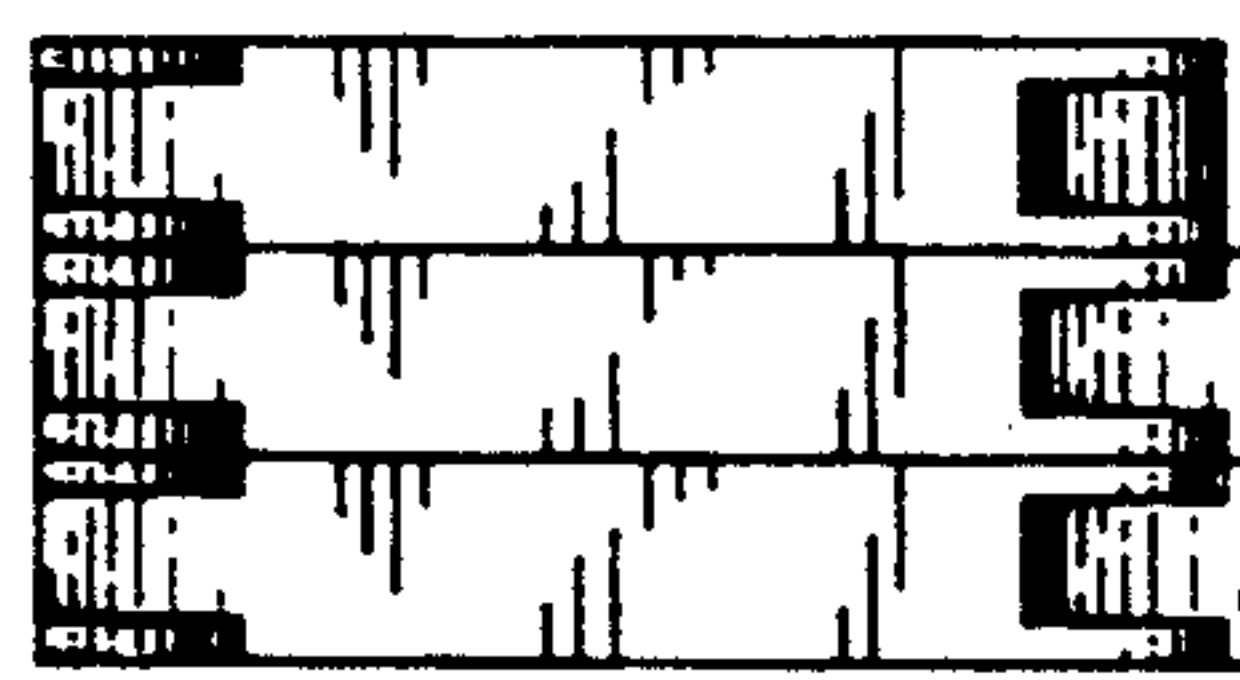


FIG. 7

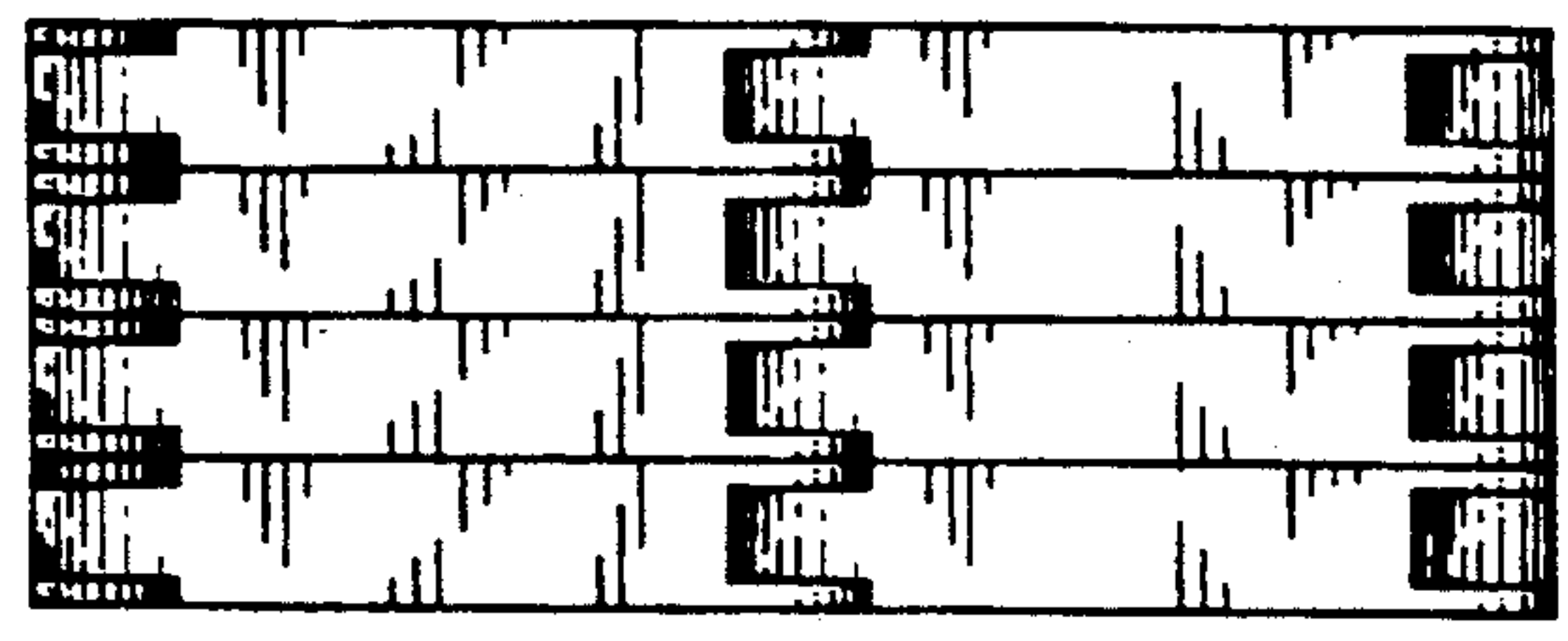


FIG. 8

