



US00D340164S

# United States Patent [19]

[11] Patent Number: **Des. 340,164**

**Koch**

[45] Date of Patent: **\*\* Oct. 12, 1993**

[54] **GRILL**

D. 287,091	12/1986	Elliston	.....	D7/337
D. 321,810	11/1991	Schultz	.....	D7/363
D. 326,030	5/1992	Silver	.....	D7/362

[75] Inventor: **Karl-Erich Koch, Cham, Switzerland**

[73] Assignee: **AMC International Alfa Metalcraft Corporation AG, Switzerland**

*Primary Examiner*—Ruth McInroy  
*Attorney, Agent, or Firm*—Webb, Burden, Ziesenheim & Webb

[\*\*] Term: **14 Years**

[21] Appl. No.: **911,178**

[57] **CLAIM**

[22] Filed: **Jul. 9, 1992**

The ornamental design for a grill, as shown.

[30] **Foreign Application Priority Data**

**DESCRIPTION**

Feb. 19, 1992 [IB] Int'l Pat. Institute ..... DM/022055

FIG. 1 is a perspective view of the grill showing my new design;

[52] U.S. Cl. .... **D7/363**

FIG. 2 is a top plan view thereof;

[58] Field of Search ..... D7/331, 362-363, D7/365, 367, 337; 99/445, 446, 422, 425, 450

FIG. 3 is a bottom plan view thereof;

FIG. 4 is a side elevational view thereof;

[56] **References Cited**

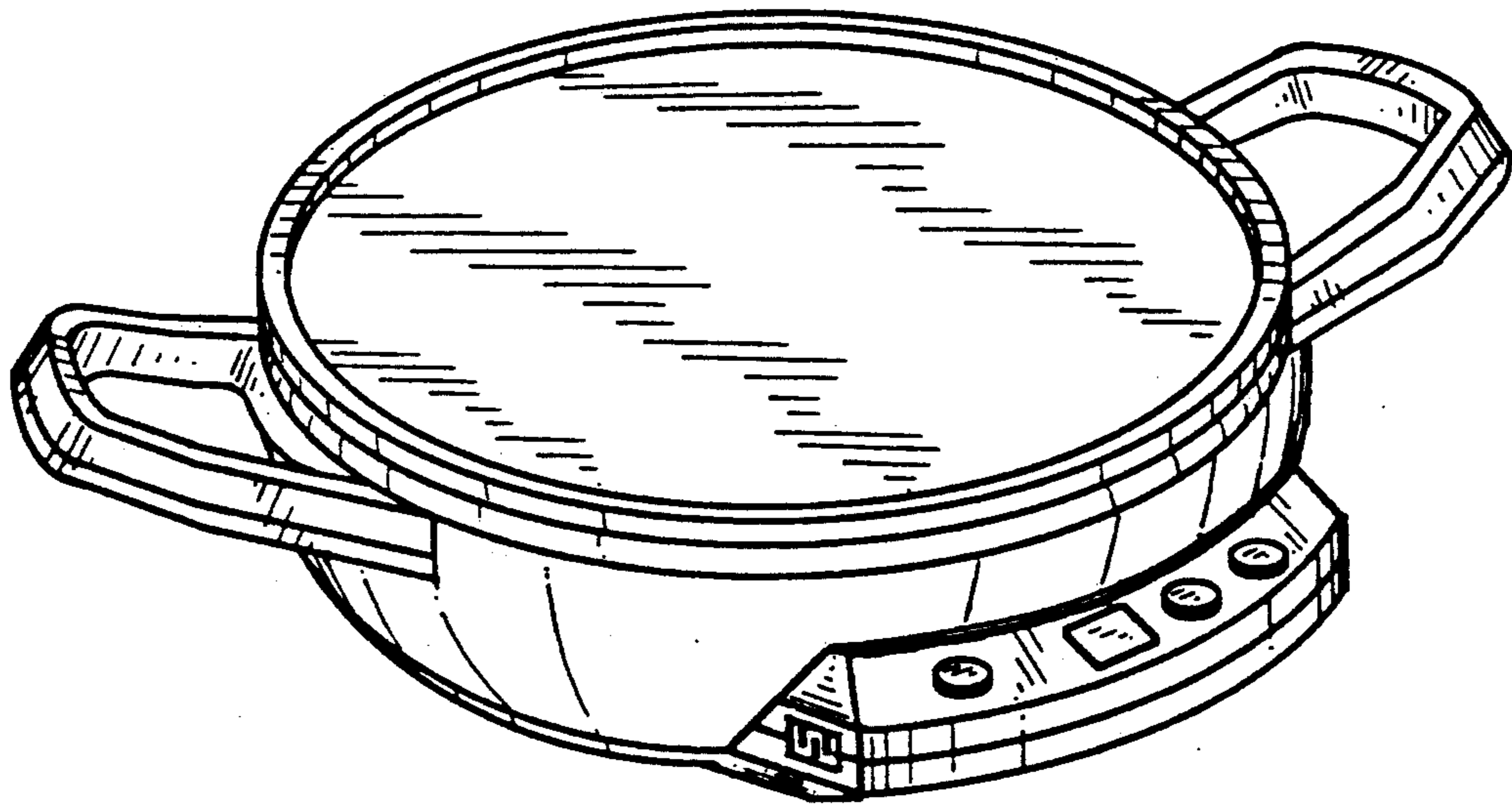
FIG. 5 is a side elevational view thereof taken at 180° from the view of FIG. 4;

**U.S. PATENT DOCUMENTS**

D. 202,958	11/1965	Cohen et al.	.....	D7/338
D. 243,144	1/1977	Jenn et al.	.....	D7/337
D. 250,627	12/1978	McNair et al.	.....	D7/363

FIG. 6 is a side elevational view thereof taken at 90° from the view of FIG. 4; and,

FIG. 7 is a side elevational view thereof taken at 180° from the view of FIG. 6.



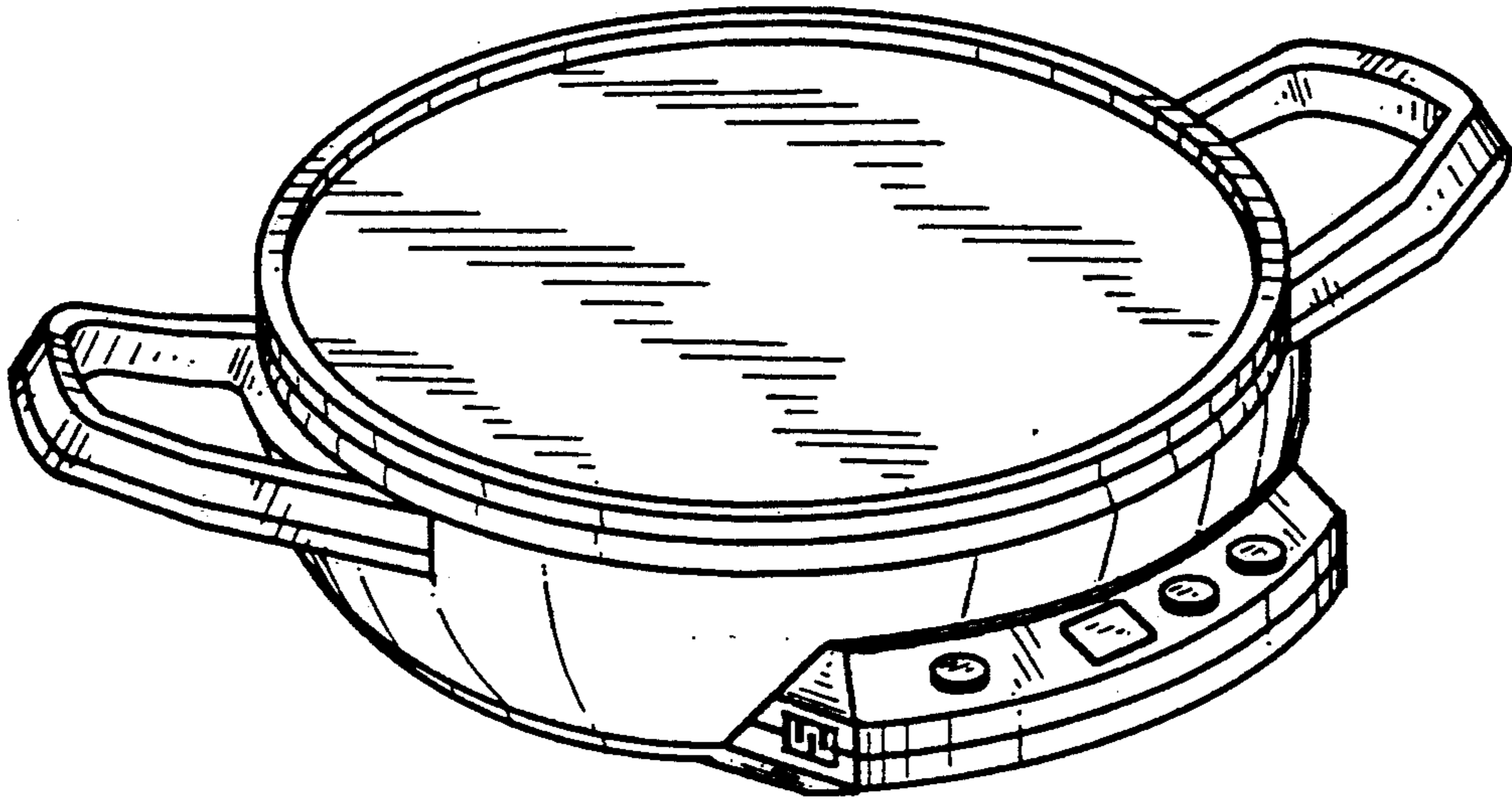


FIG. 1

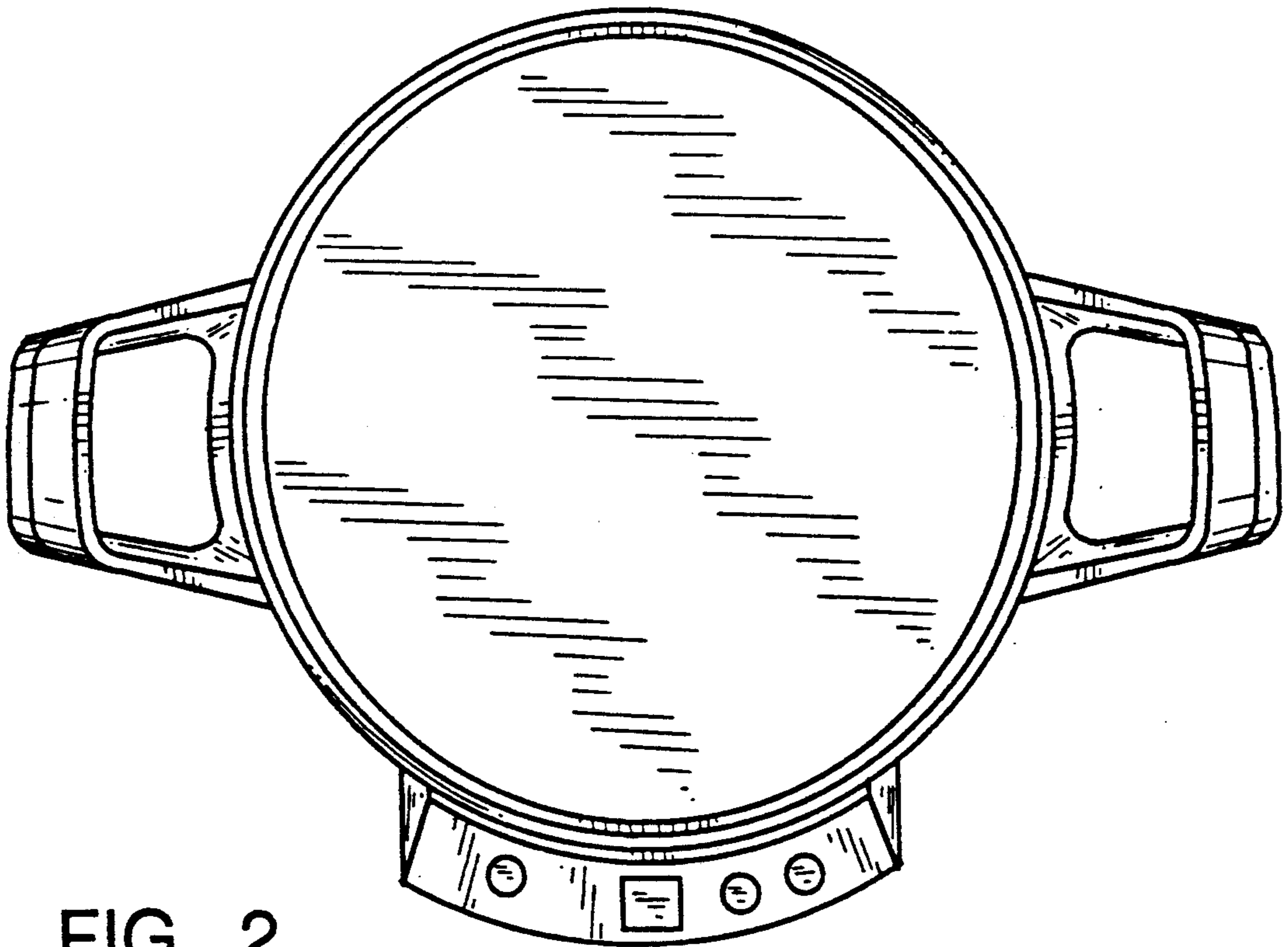


FIG. 2

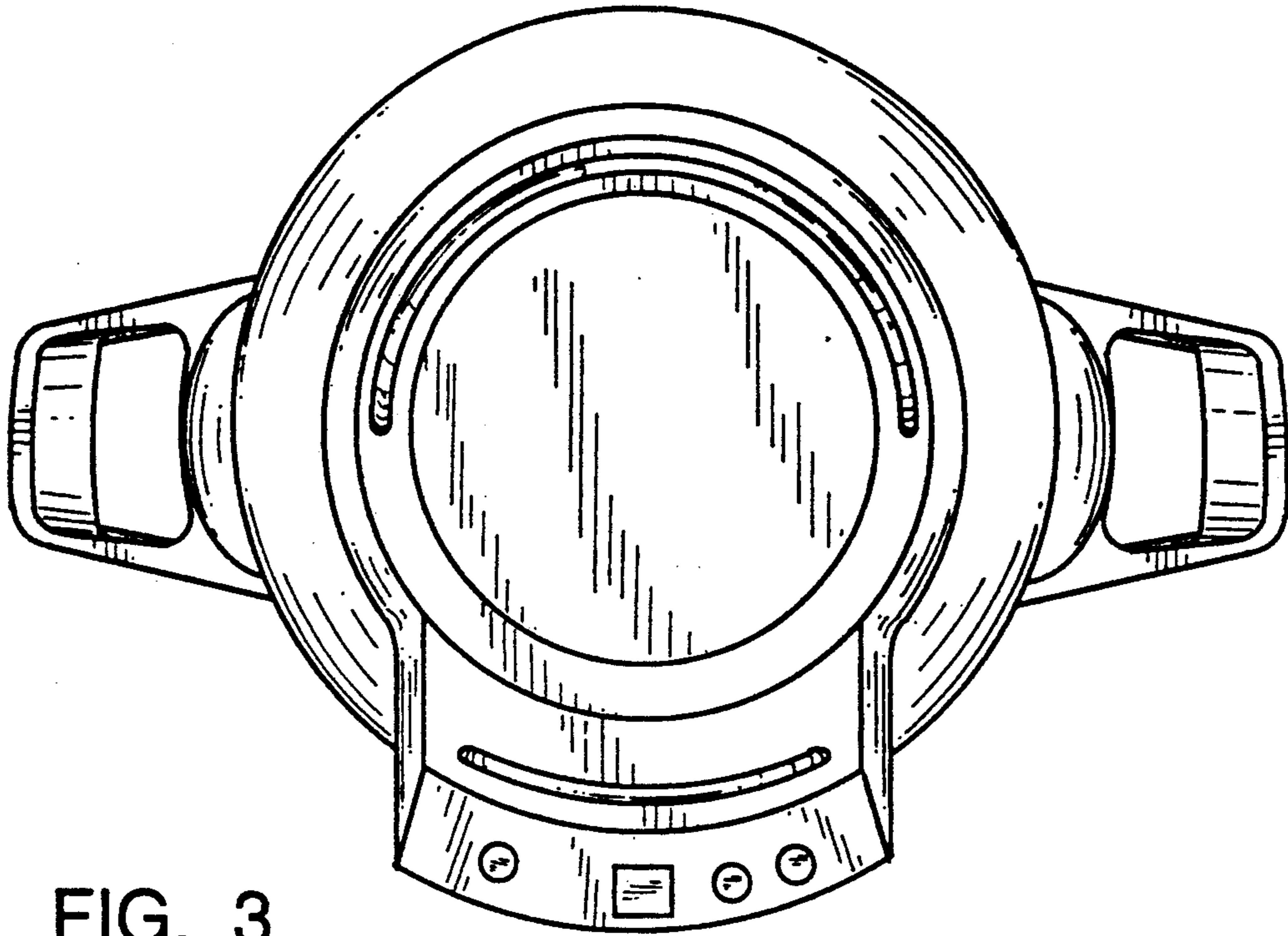


FIG. 3

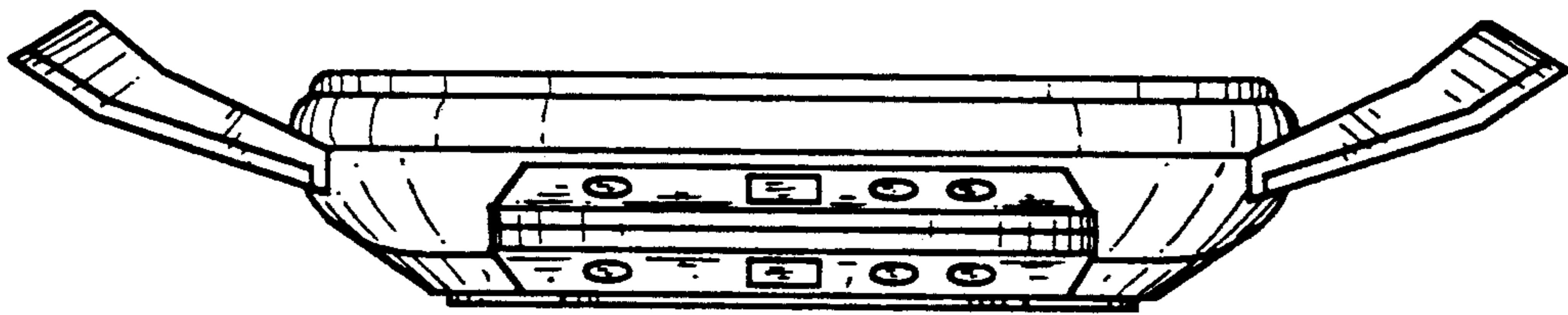


FIG. 4

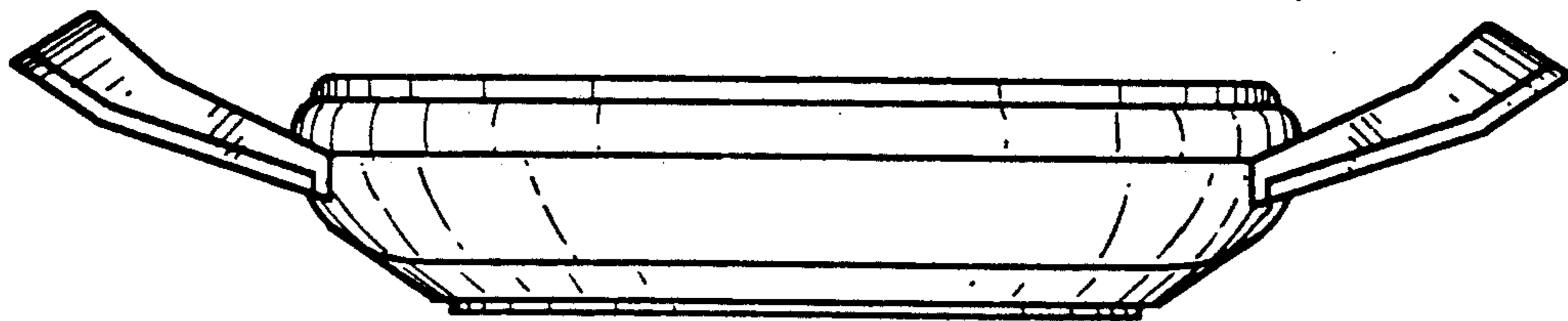


FIG. 5

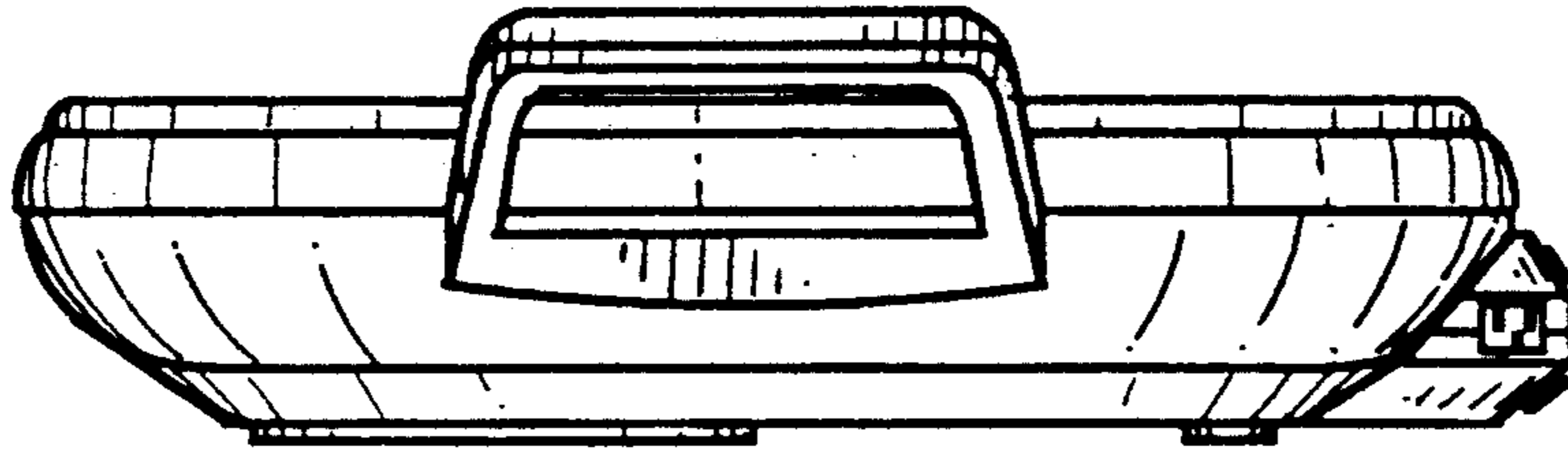


FIG. 6

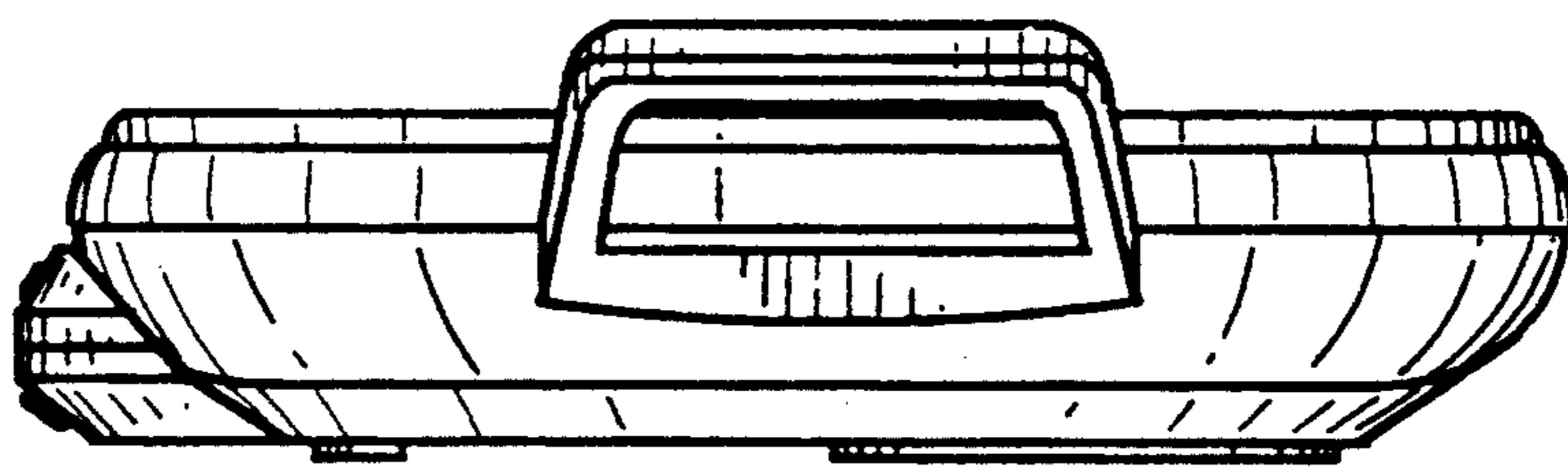


FIG. 7