



US00D340163S

# United States Patent [19]

[11] Patent Number: **Des. 340,163**

Howard et al.

[45] Date of Patent: **\*\* Oct. 12, 1993**

[54] **BROILING GRILL**

D. 287,091 12/1986 Elliston ..... D7/337  
D. 326,030 5/1992 Silver ..... D7/362

[75] Inventors: **Jay L. Howard; Lewis A. Mendelson,**  
both of Overland Park, Kans.

*Primary Examiner*—Ruth McInroy  
*Attorney, Agent, or Firm*—Gerald M. Kraai

[73] Assignee: **Dazey Corporation, Industrial**  
Airport, Kans.

[57] **CLAIM**

[\*\*] Term: **14 Years**

The ornamental design for a broiling grill, as shown and described.

[21] Appl. No.: **903,194**

**DESCRIPTION**

[22] Filed: **Jun. 25, 1992**

FIG. 1 is a perspective view of a broiling grill showing our new design, the grill being in a high position with the grill handles extending downwardly;

[52] U.S. Cl. .... **D7/363**

FIG. 2 is a top plan view thereof;

[58] Field of Search ..... **D7/331, 362, 363, 365,**  
**D7/367, 337; 99/445, 445, 422, 425, 450**

FIG. 3 is a bottom plan view thereof;

FIG. 4 is a rear elevational view thereof;

FIG. 5 is a front elevational view thereof;

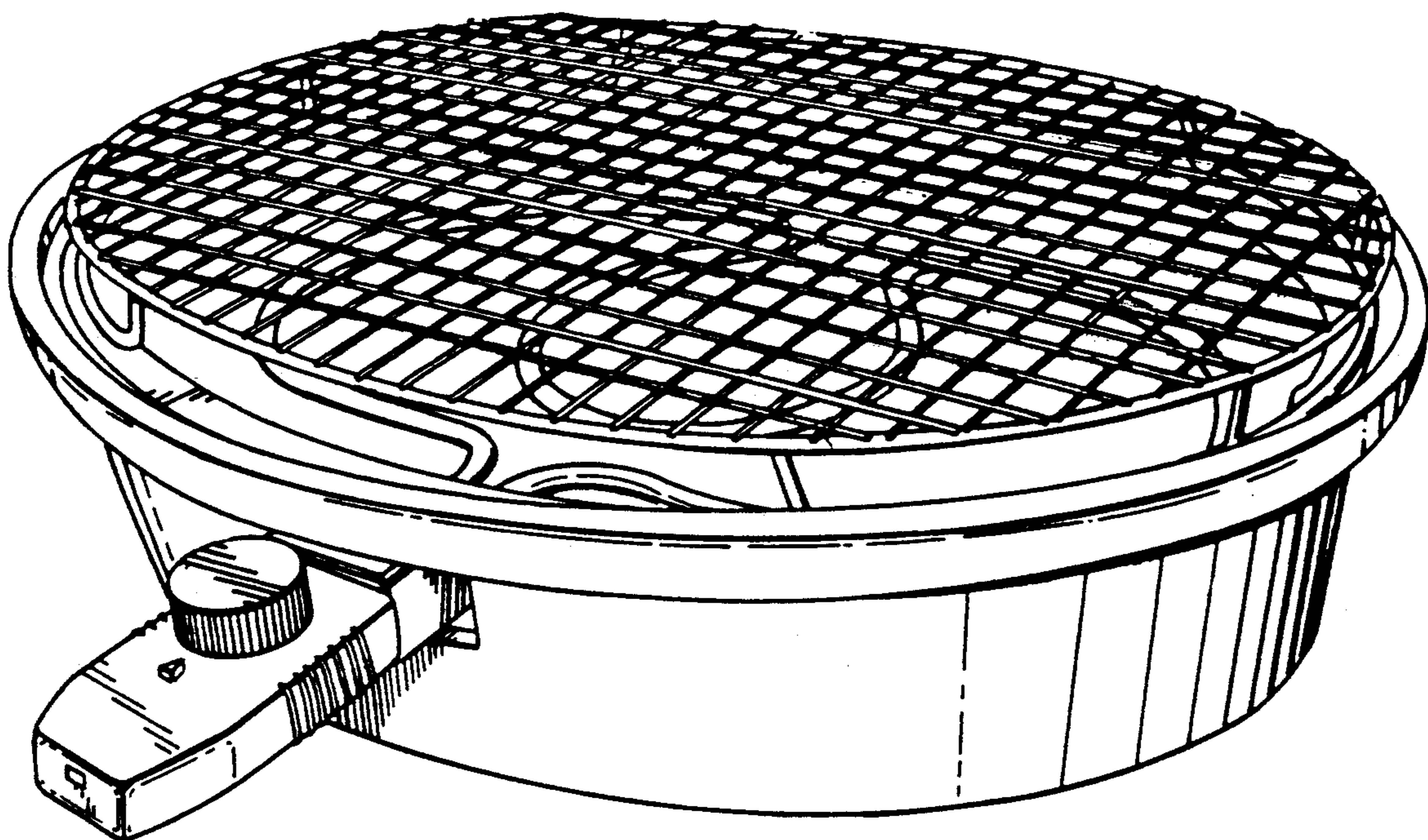
FIG. 6 is a left side elevational view thereof, the right side being a mirror image; and,

FIG. 7 is a perspective view thereof, the grill being in a low position with the grill handles extending upward.

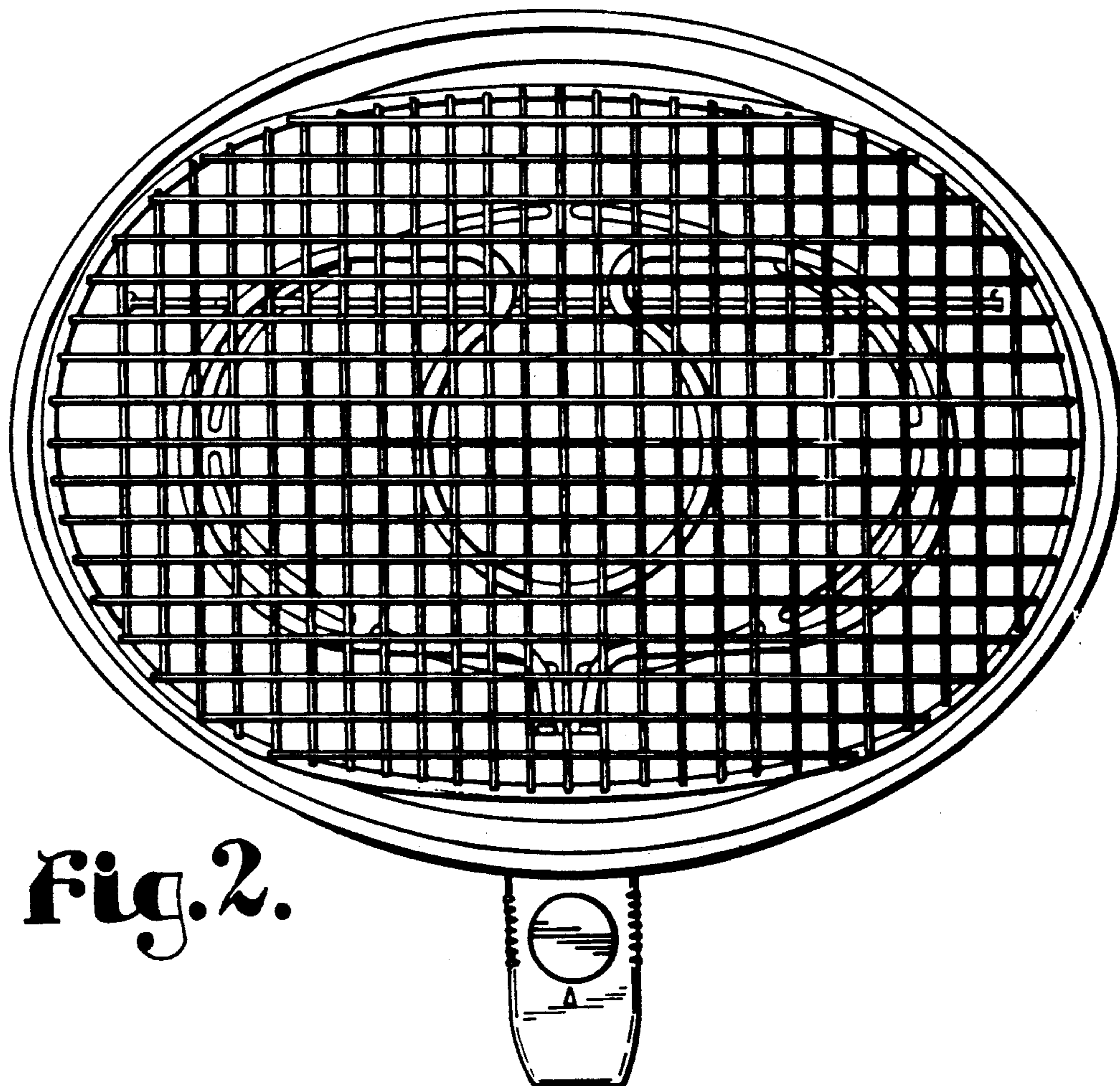
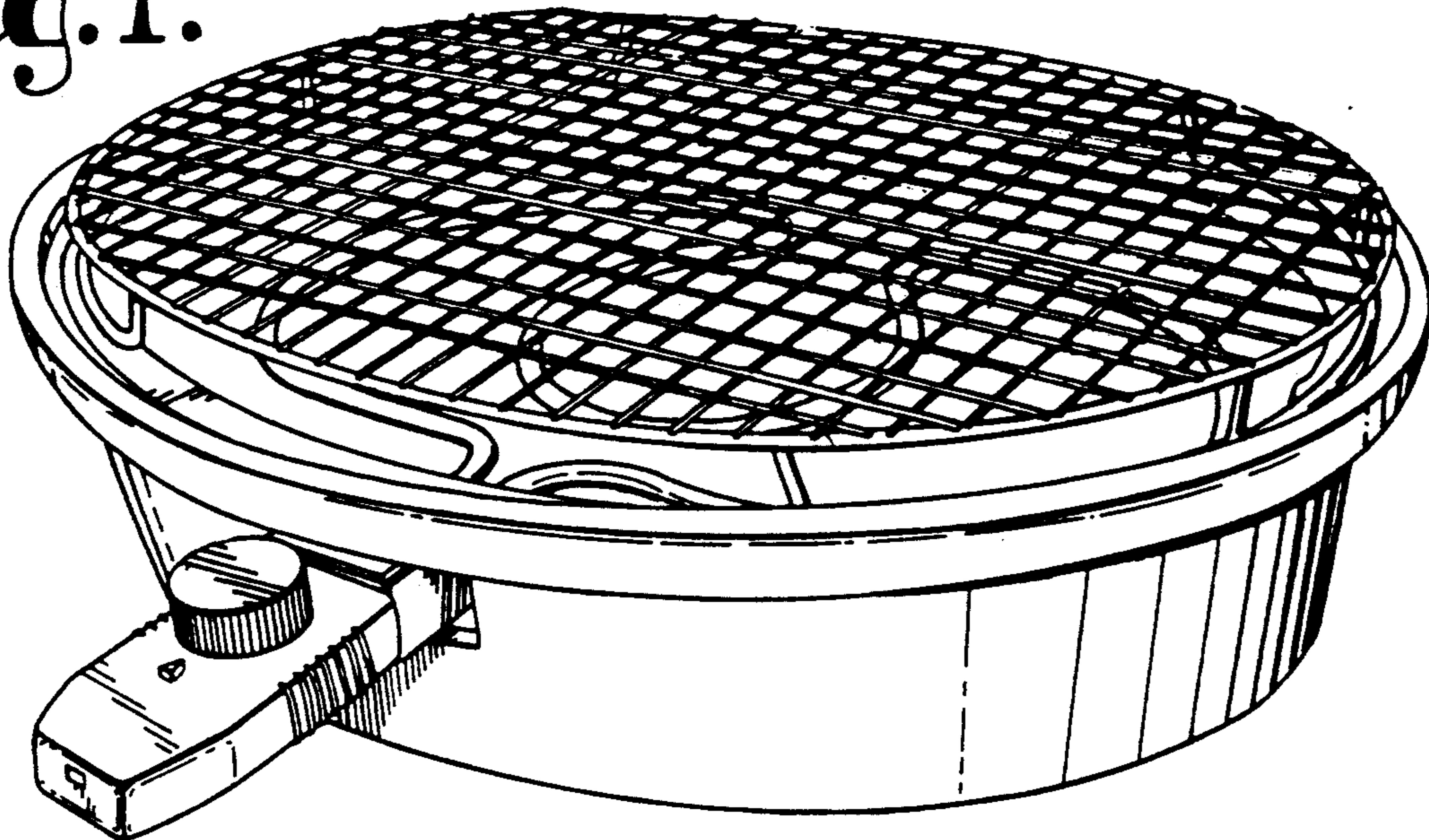
[56] **References Cited**

**U.S. PATENT DOCUMENTS**

D. 202,958 11/1965 Cohen et al. .... D7/338  
D. 243,144 1/1977 Jenn et al. .... D7/337  
D. 250,627 12/1978 McNair et al. .... D7/363

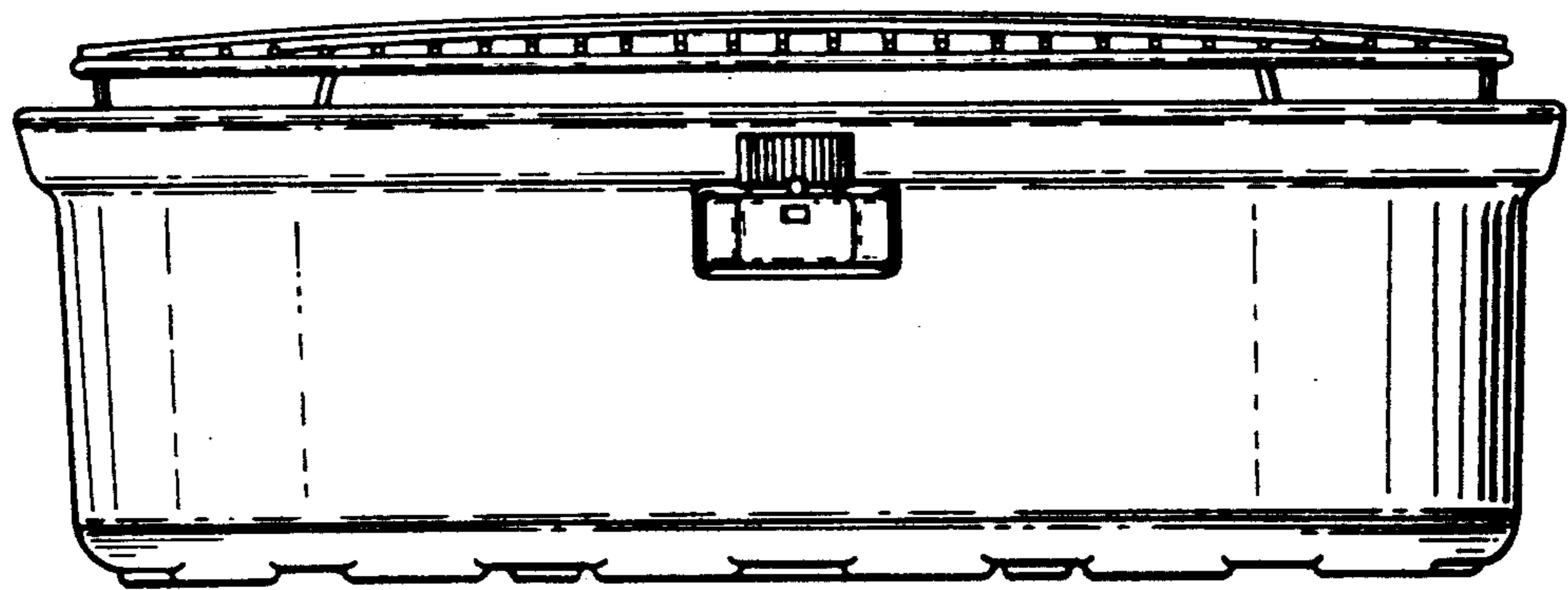
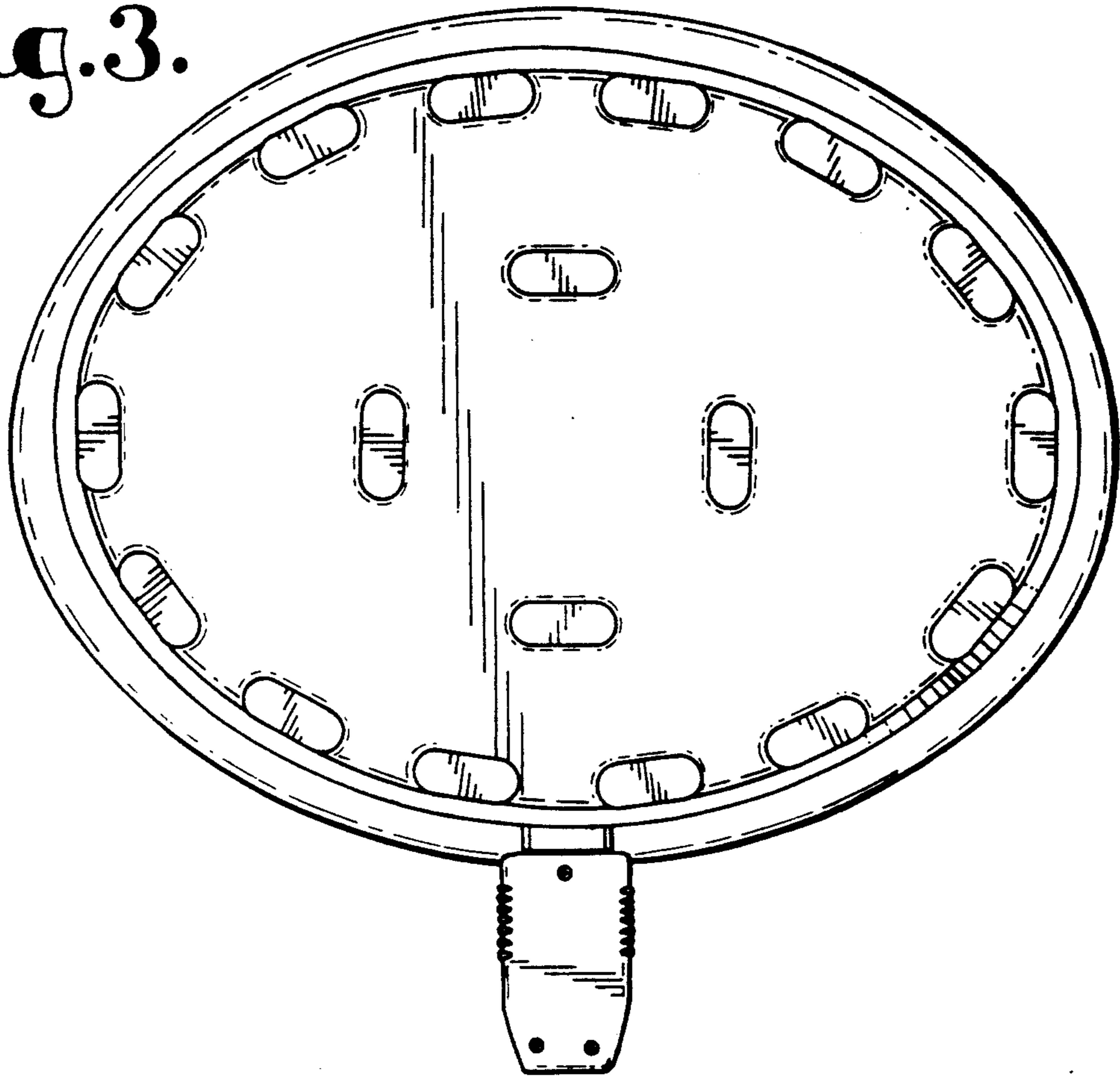


**Fig. 1.**



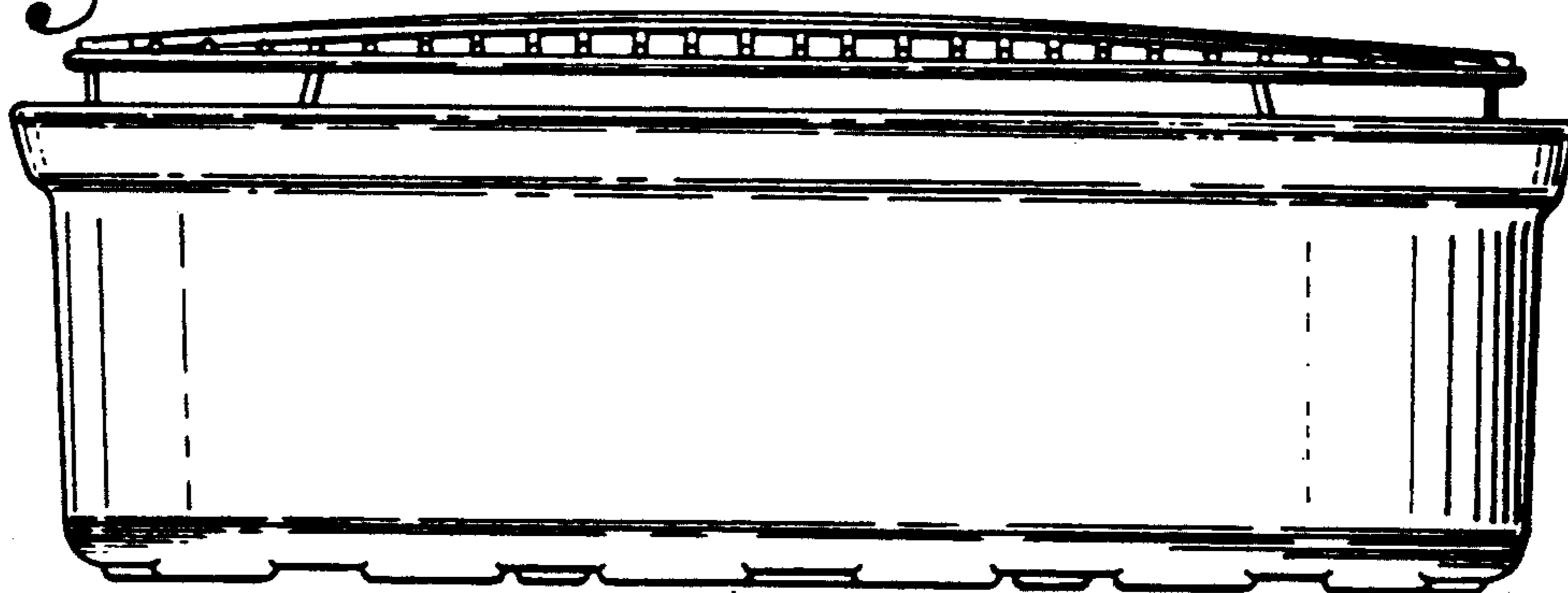
**Fig. 2.**

**Fig. 3.**

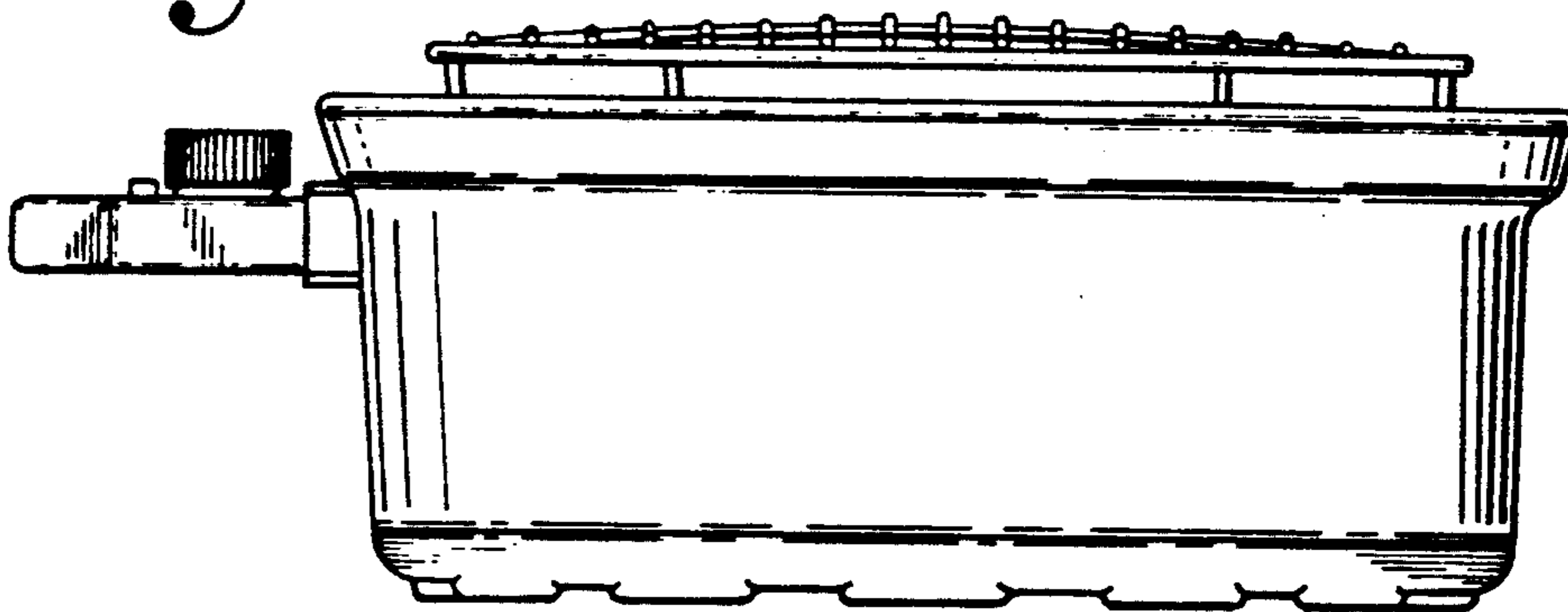


**Fig. 4.**

**Fig. 5.**



**Fig. 6.**



**Fig. 7.**

