



US00D340162S

United States Patent [19]

[11] Patent Number: **Des. 340,162**

Storsberg

[45] Date of Patent: **** Oct. 12, 1993**

[54] **ESPRESSO MACHINE**

[75] Inventor: **Günter Storsberg, Solingen, Fed. Rep. of Germany**

[73] Assignee: **Robert Krups GmbH & Co. KG, Solingen, Fed. Rep. of Germany**

[**] Term: **14 Years**

[21] Appl. No.: **785,696**

[22] Filed: **Oct. 31, 1991**

D. 248,720 8/1978 Sato et al. D7/309
 D. 248,721 8/1978 Sato et al. D7/309
 D. 299,304 1/1989 Knochner et al. D7/309
 D. 299,998 2/1989 Seffert D7/311 X
 D. 313,146 12/1990 Precht D7/309
 D. 313,147 12/1990 Rossio et al. D7/309

Primary Examiner—Alan P. Douglas
Assistant Examiner—M. N. Pandozzi
Attorney, Agent, or Firm—Peter K. Kontler

[30] **Foreign Application Priority Data**

May 16, 1991 [WO] World Int. Prop. O. DM019629

[52] U.S. Cl. **D7/309; D7/311**

[58] Field of Search **D7/300, 301, 305, 306, D7/307, 308, 309, 310, 311, 312, 313; 99/295, 293, 290**

[57] **CLAIM**

The ornamental design for an espresso machine, as shown.

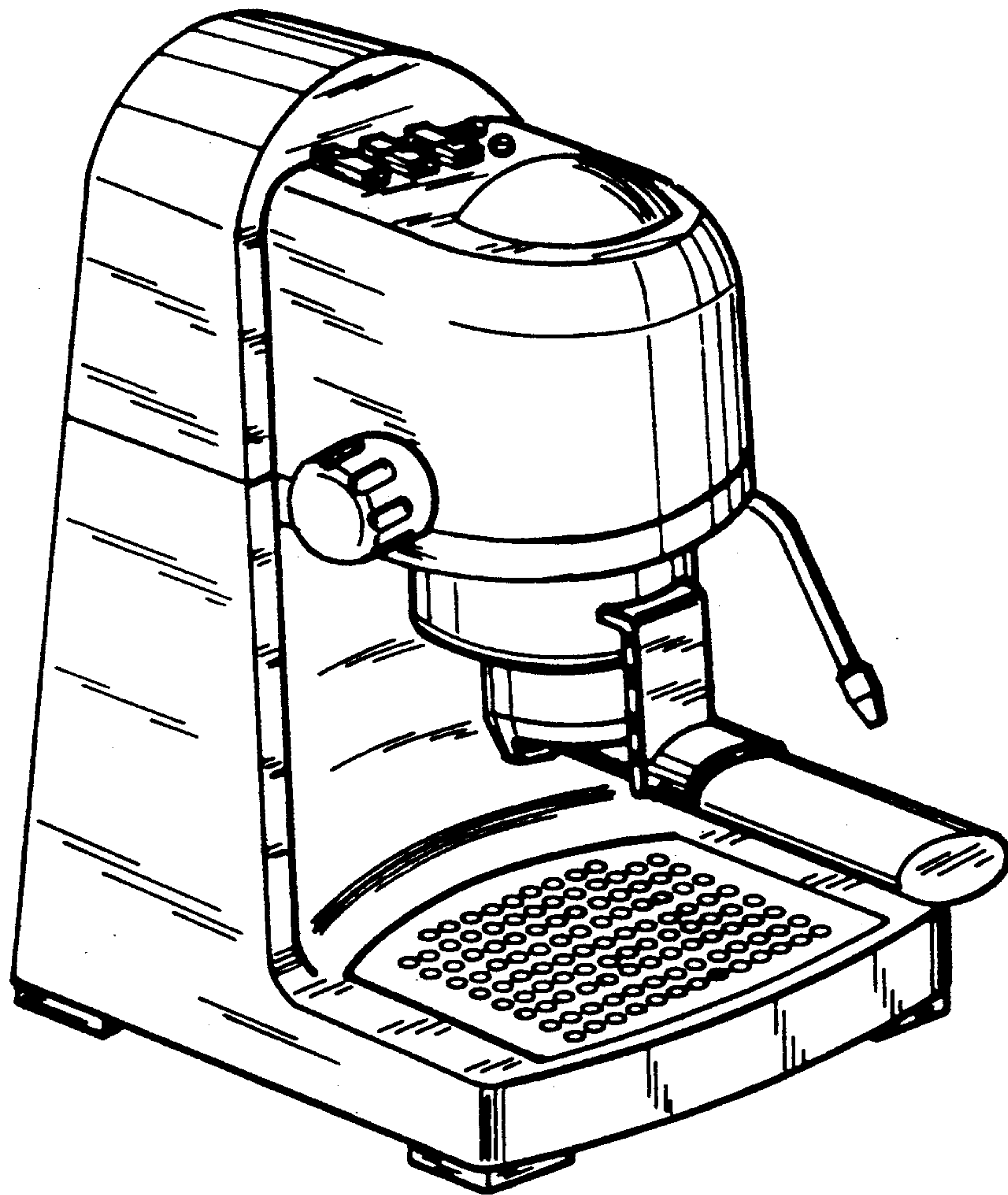
DESCRIPTION

FIG. 1 is a top, front, left side perspective view of an espresso machine showing my new design;
 FIG. 2 is a right side elevational view thereof;
 FIG. 3 is a top plan view thereof;
 FIG. 4 is a bottom plan view thereof;
 FIG. 5 is a left side elevational view thereof;
 FIG. 6 is a front elevational view thereof; and,
 FIG. 7 is a rear elevational view thereof.

[56] **References Cited**

U.S. PATENT DOCUMENTS

D. 139,232 10/1944 Timmis D7/308



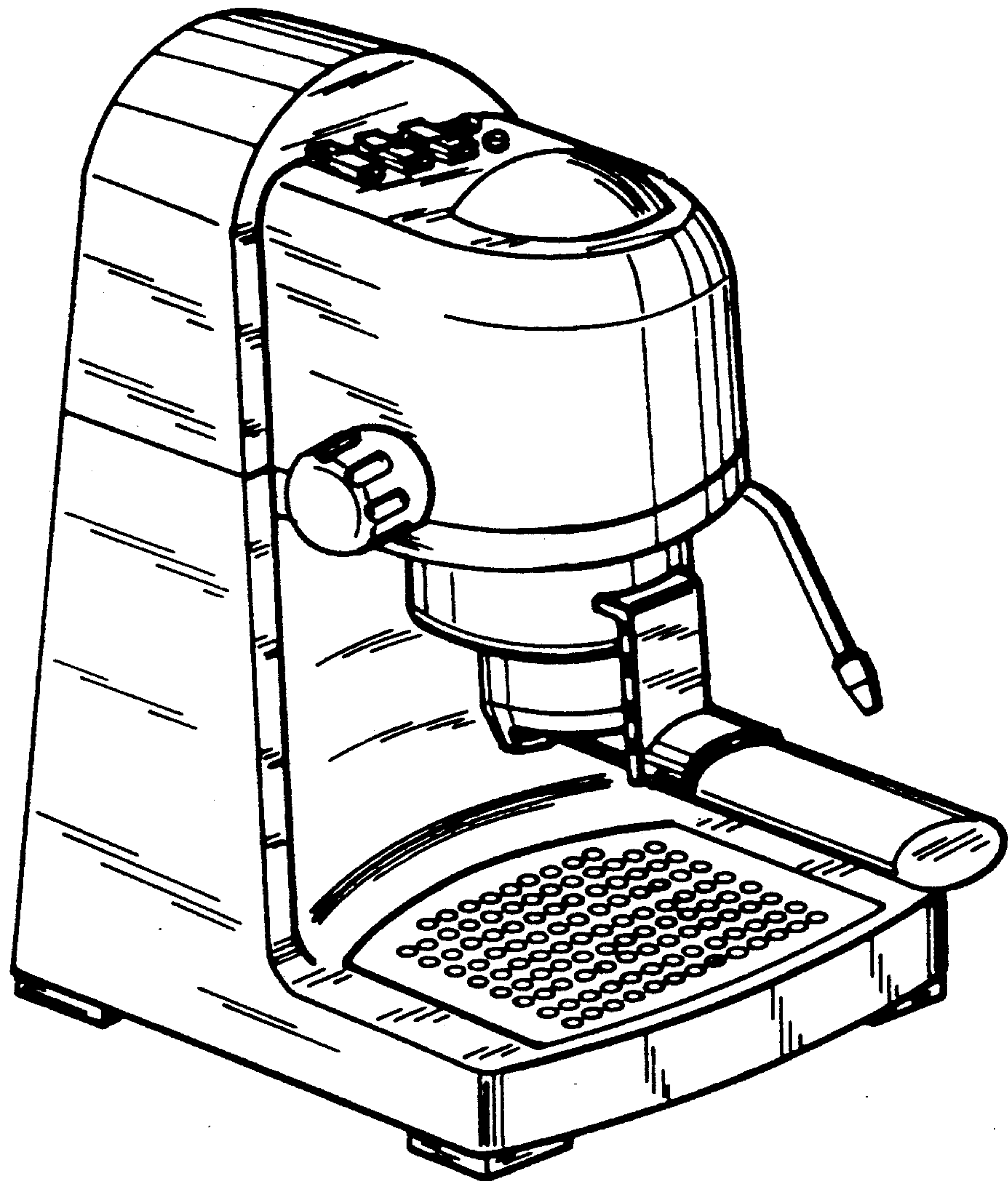


FIG. 1

FIG. 2

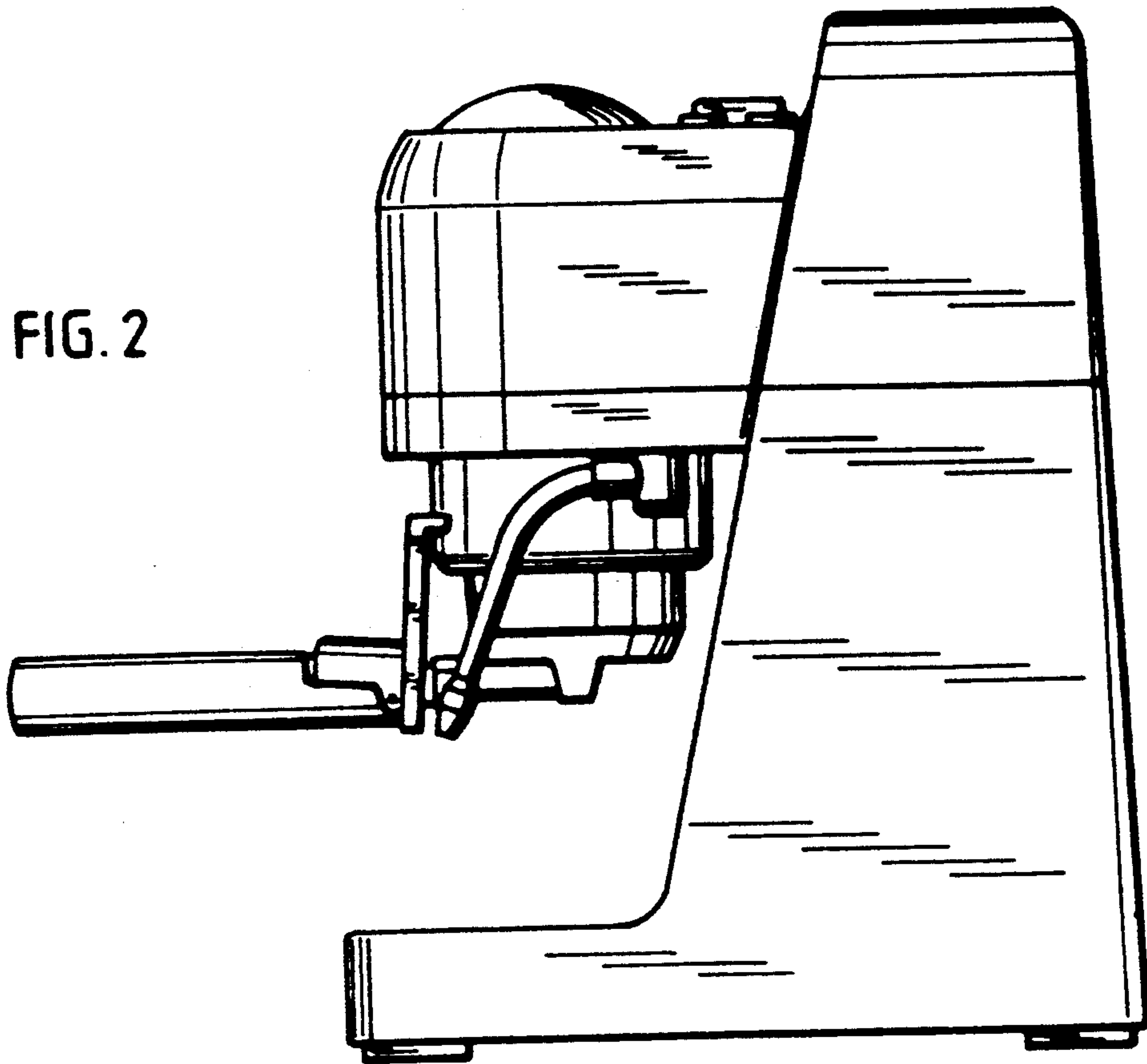
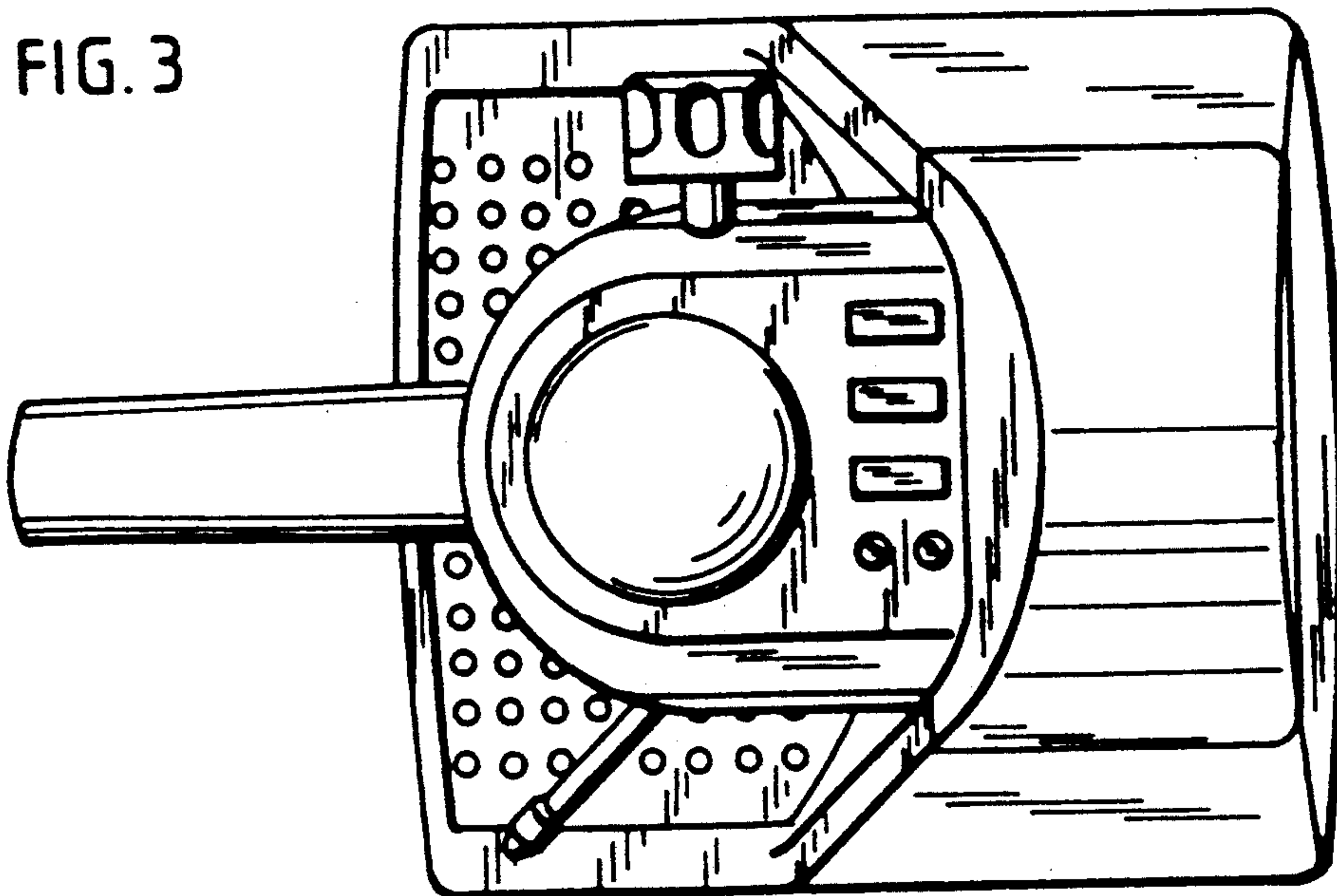


FIG. 3



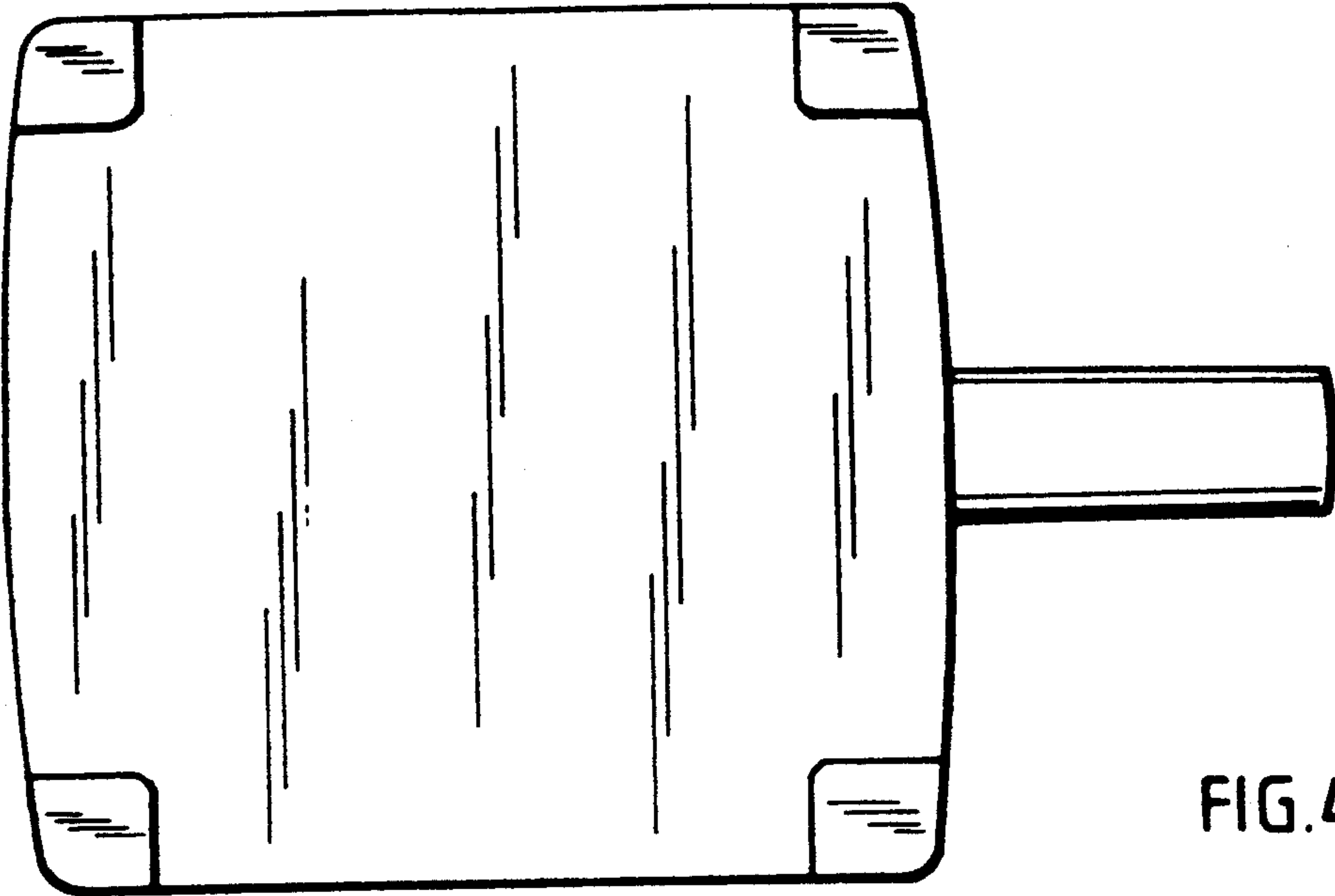


FIG. 4

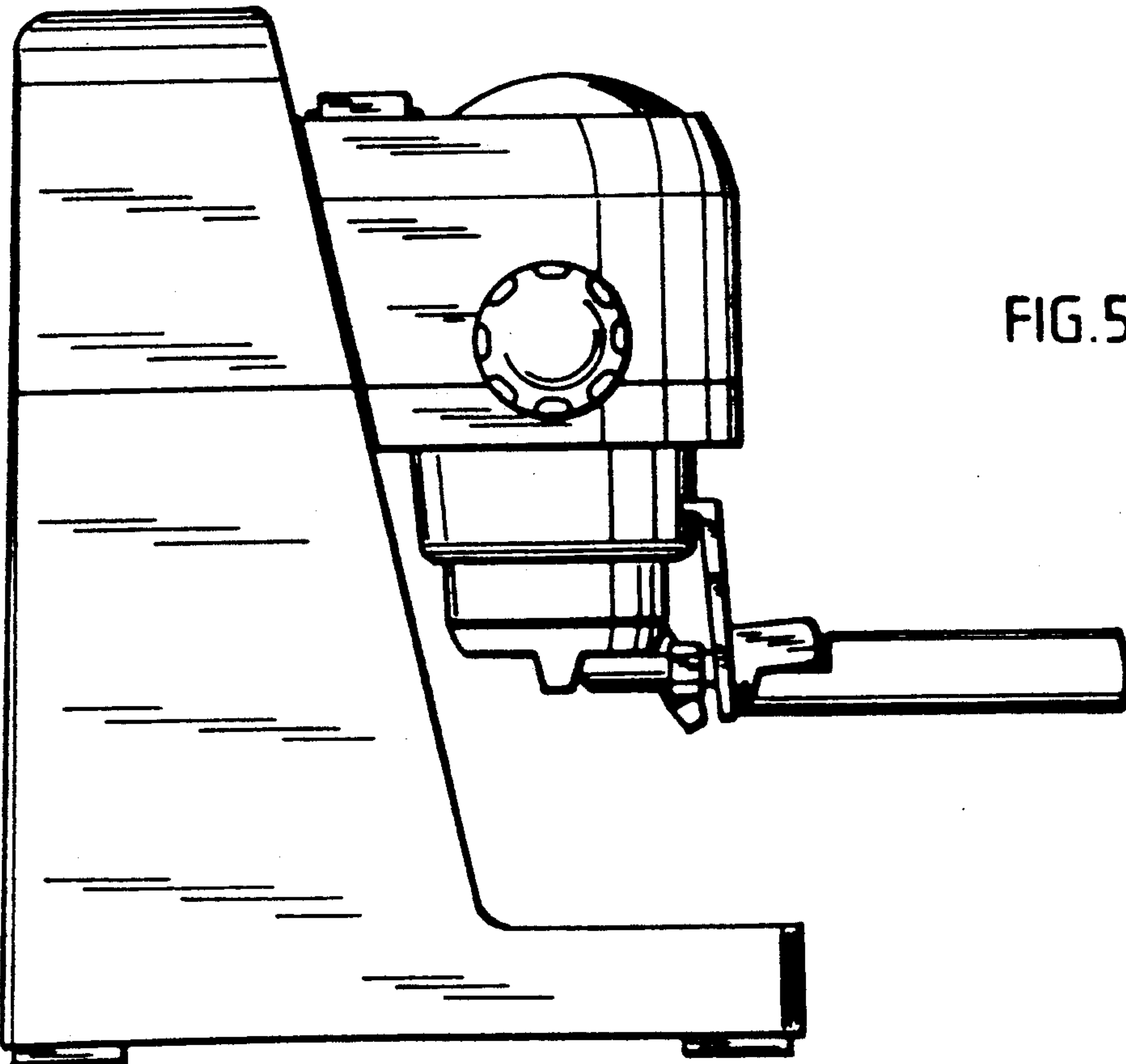


FIG. 5

FIG. 6

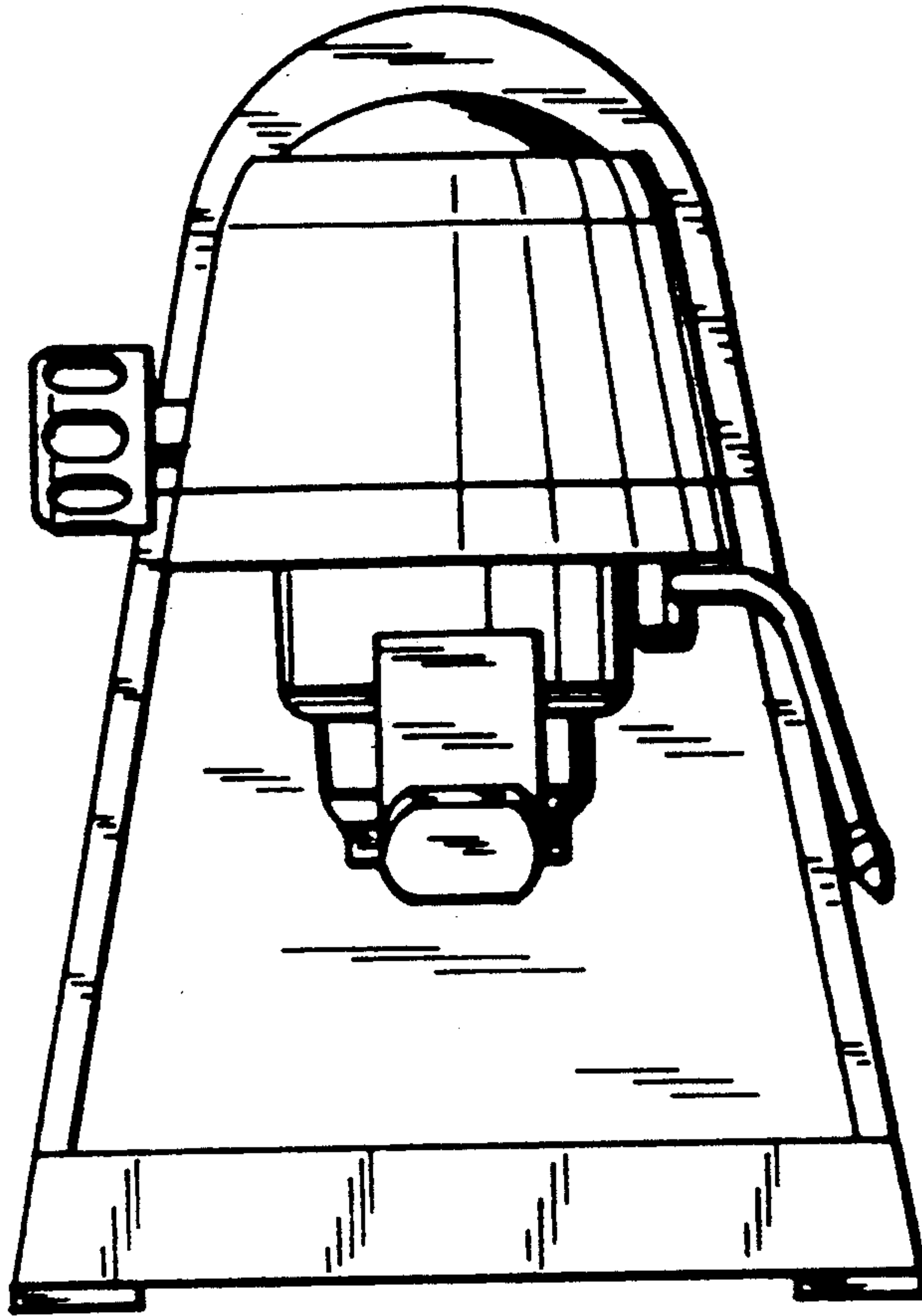


FIG. 7

