



US00D340161S

# United States Patent [19]

[11] Patent Number: **Des. 340,161**

Regidor

[45] Date of Patent: **\*\* Oct. 12, 1993**

[54] DENTAL CADDY

D. 314,109	1/1991	Jordan	.....	D6/528
2,003,283	6/1935	Chatelain	.....	221/45 X
3,155,278	11/1964	LeBaron	.....	222/93
3,241,721	3/1966	Freeman	.....	222/93

[76] Inventor: **Rosaline M. Regidor**, 909 University Ave. #304, Honolulu, Hi. 96826

[\*\*] Term: **14 Years**

*Primary Examiner*—Brian N. Vinson  
*Attorney, Agent, or Firm*—Leon Gilden

[21] Appl. No.: **558,403**

[57] **CLAIM**

[22] Filed: **Jul. 27, 1990**

The ornamental design for a dental caddy, as shown and described.

[52] U.S. Cl. .... **D6/528; D6/530**

[58] Field of Search .... **D6/524, 527-528, D6/530, 534; 221/45-46, 282-283; 222/173, 180, 92-93, 105**

**DESCRIPTION**

[56] **References Cited**

**U.S. PATENT DOCUMENTS**

D. 207,630	5/1967	Jones	.....	D6/528
D. 270,794	10/1983	Bird	.....	D6/530
D. 286,348	10/1986	Gandet, Sr.	.....	D6/528 X
D. 301,423	6/1989	Waltel, Jr.	.....	D6/530

FIG. 1 is a front elevational view of the dental caddy showing my new design;  
FIG. 2 is a rear elevational view thereof;  
FIG. 3 is a left side elevational view thereof;  
FIG. 4 is a right side elevational view thereof;  
FIG. 5 is a top plan view thereof;  
FIG. 6 is a bottom plan view thereof; and,  
FIG. 7 is a perspective view thereof.

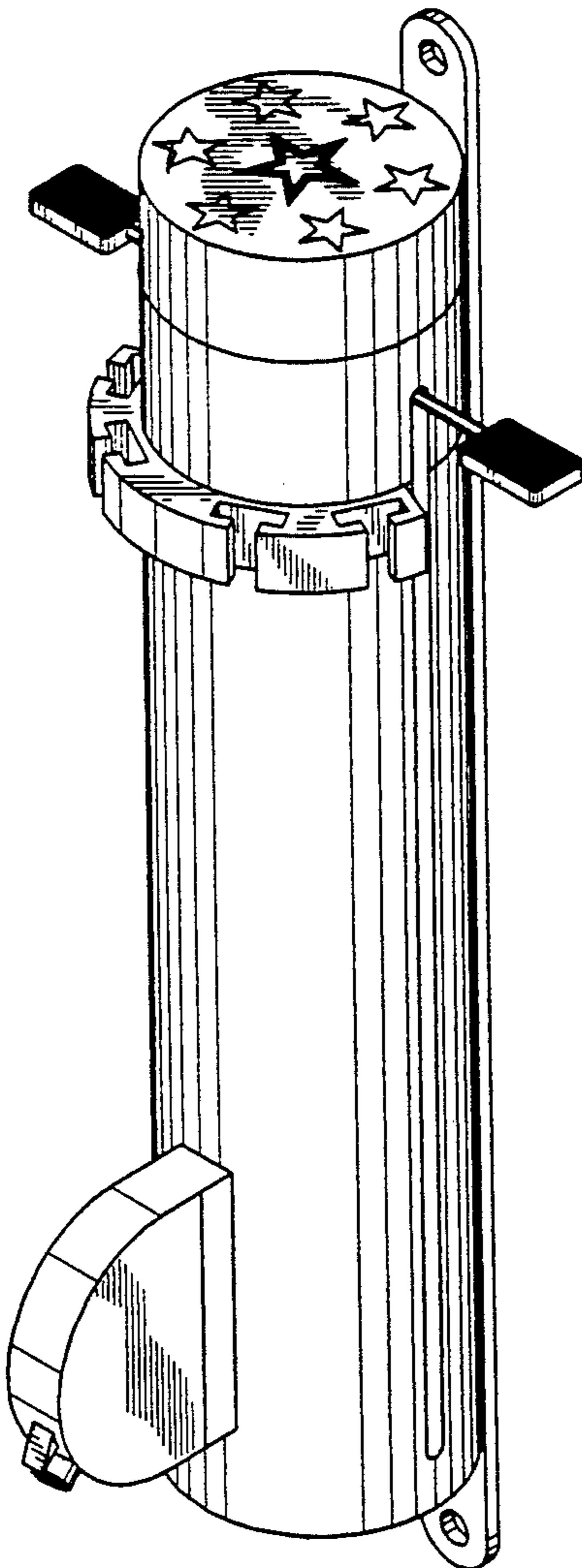


FIG. 1

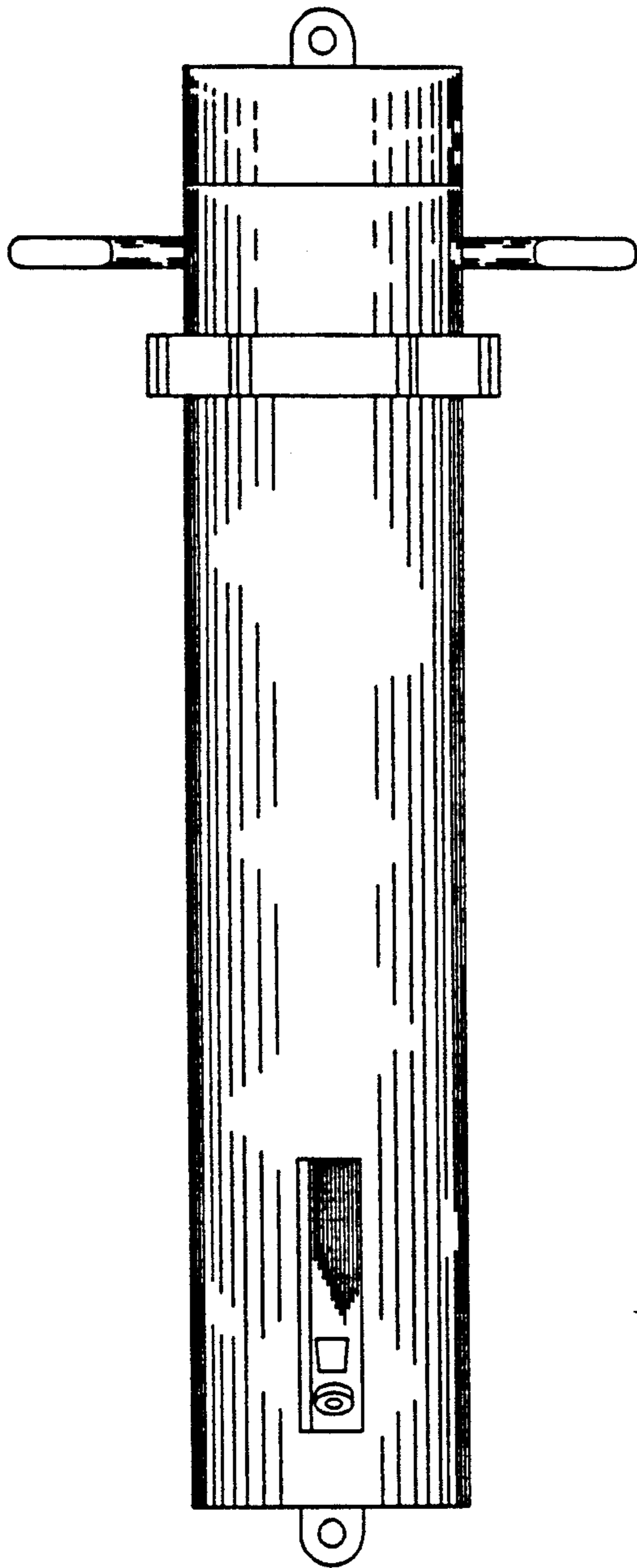


FIG. 2

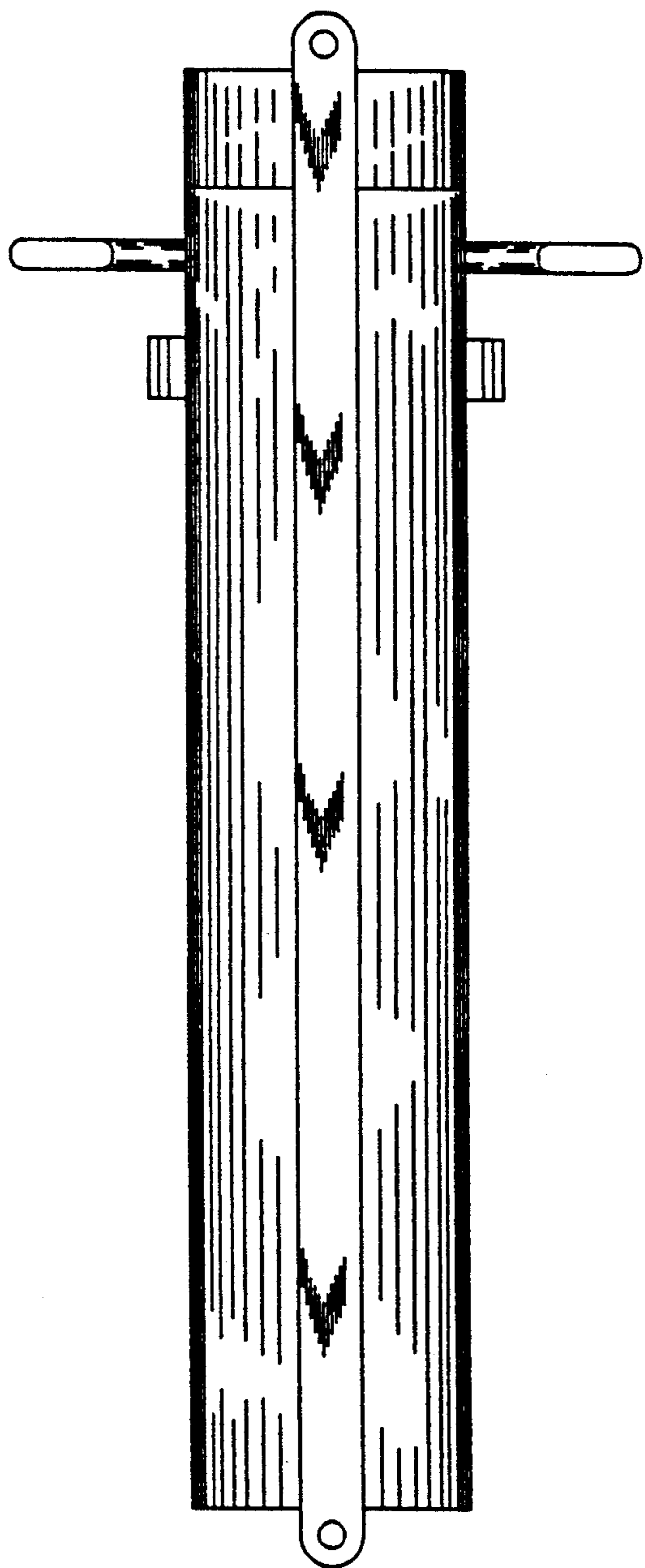


FIG. 3

FIG. 4

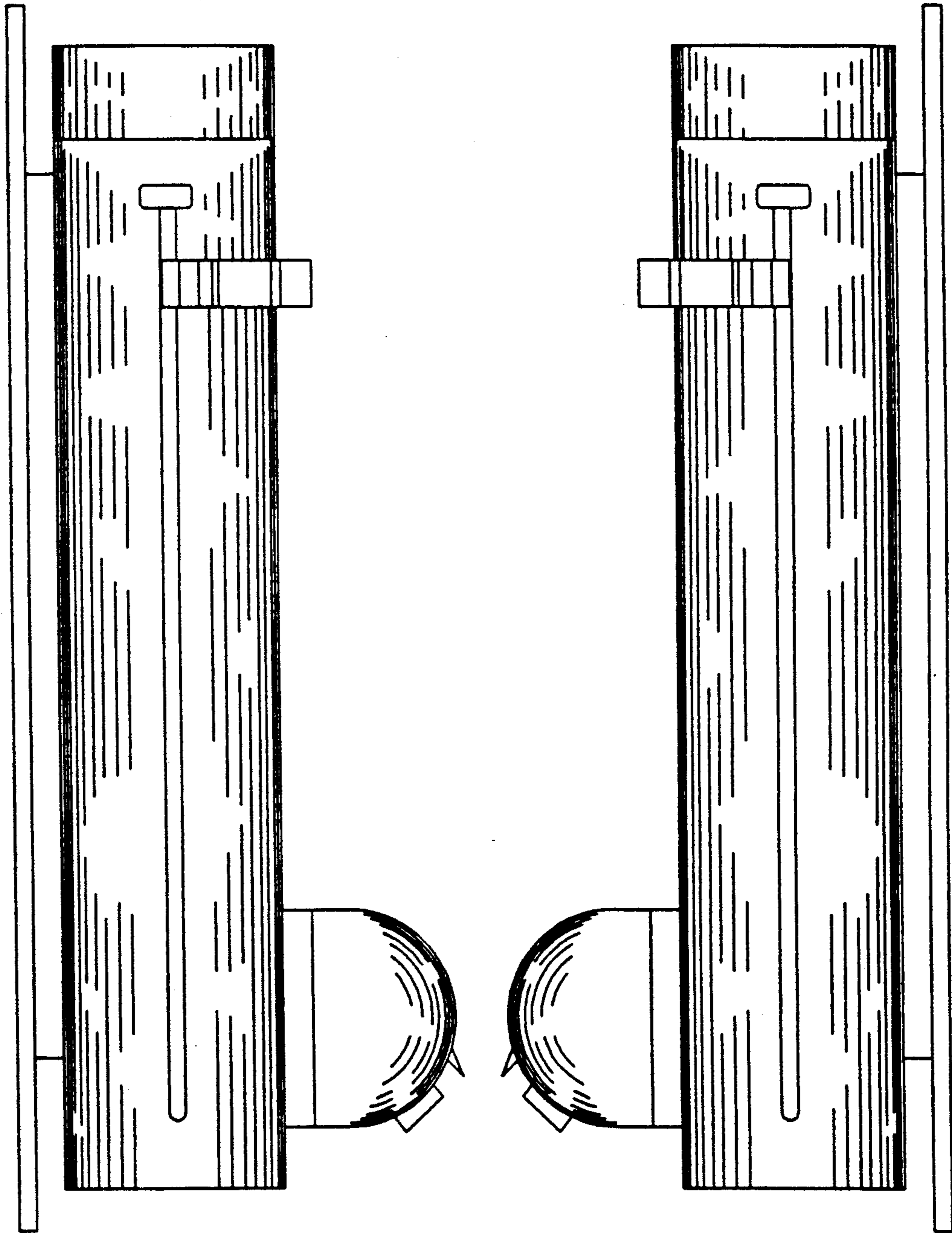


FIG. 5

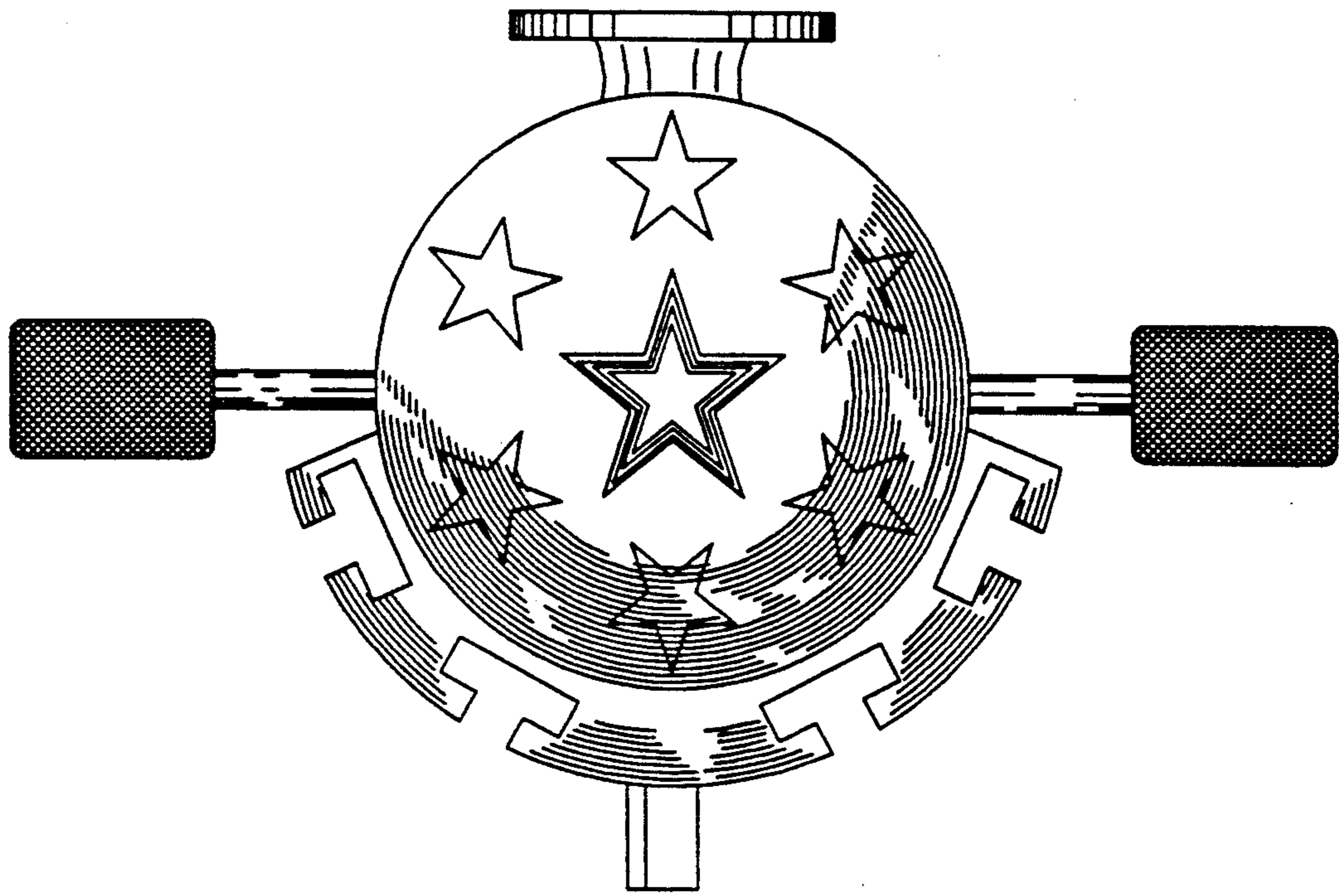


FIG. 6

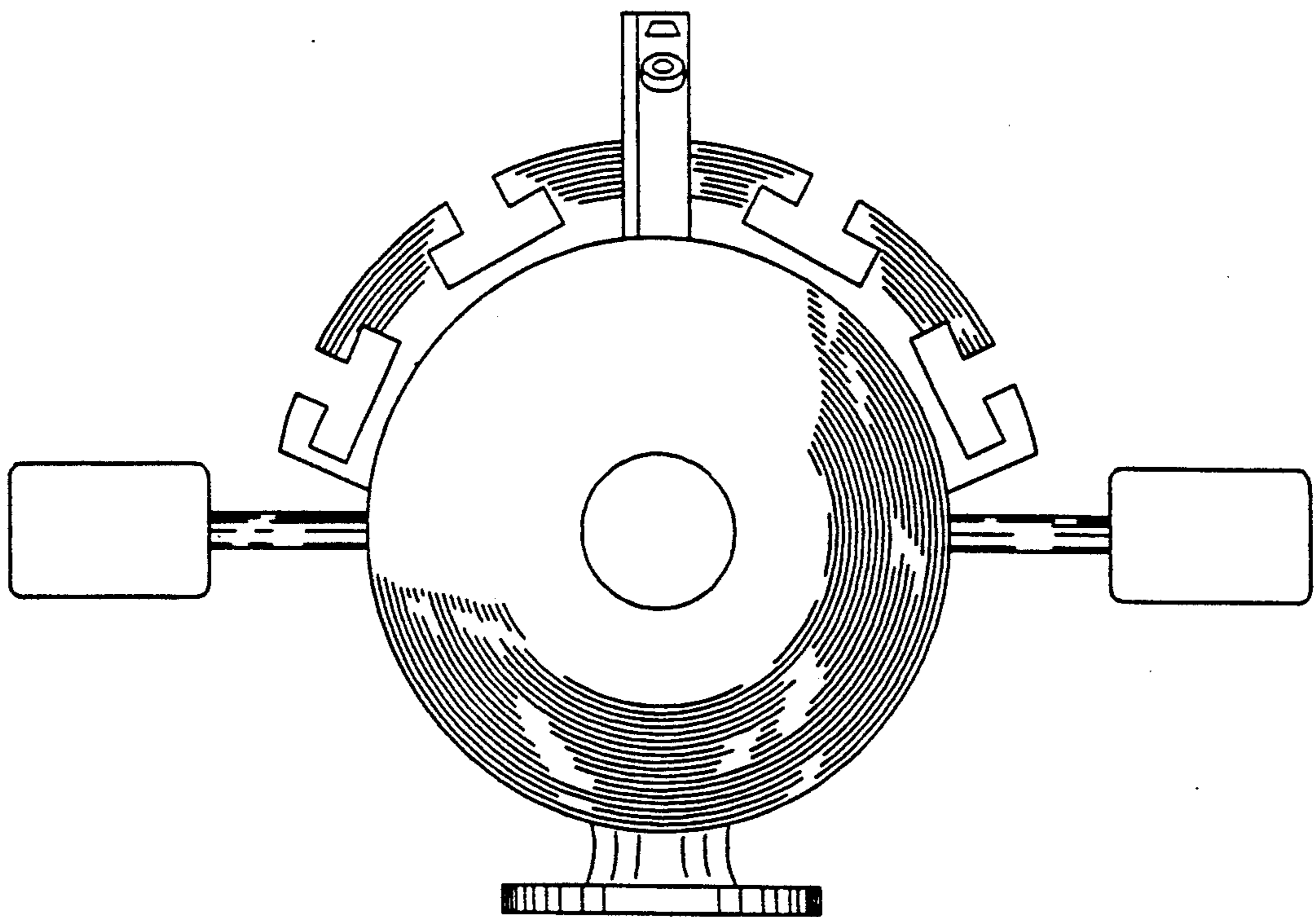


FIG. 7

