



US00D340149S

# United States Patent [19]

[11] Patent Number: **Des. 340,149**

**Granoff**

[45] Date of Patent: **\*\* Oct. 12, 1993**

[54] **CHILDREN'S CLOTHES ORGANIZER**

[76] Inventor: **Frederick W. Granoff, 195 Belvedere Dr., Cranston, R.I. 02920**

[\*\*] Term: **14 Years**

[21] Appl. No.: **2,570**

[22] Filed: **Dec. 17, 1992**

[52] U.S. Cl. .... **D6/412**

[58] Field of Search ..... **D6/411-415, D6/450, 453, 315, 316, 462; 211/13; 223/120, 68**

- D. 195,563 7/1963 Gleitsman et al. .
- D. 195,564 7/1963 Gleitsman et al. .
- D. 195,565 7/1963 Gleitsman et al. .
- D. 225,143 11/1972 Ritter .
- D. 244,419 5/1977 Anderson .
- D. 275,719 10/1984 Ritchey .
- D. 285,912 9/1986 Joffe ..... **D6/412 X**
- D. 329,549 9/1992 Begley et al. .
- 4,792,071 12/1988 Scarpa et al. .... **223/68**

*Primary Examiner*—Carmen H. Vales-Lado  
*Attorney, Agent, or Firm*—Salter, Michaelson & Benson

[56] **References Cited**

**U.S. PATENT DOCUMENTS**

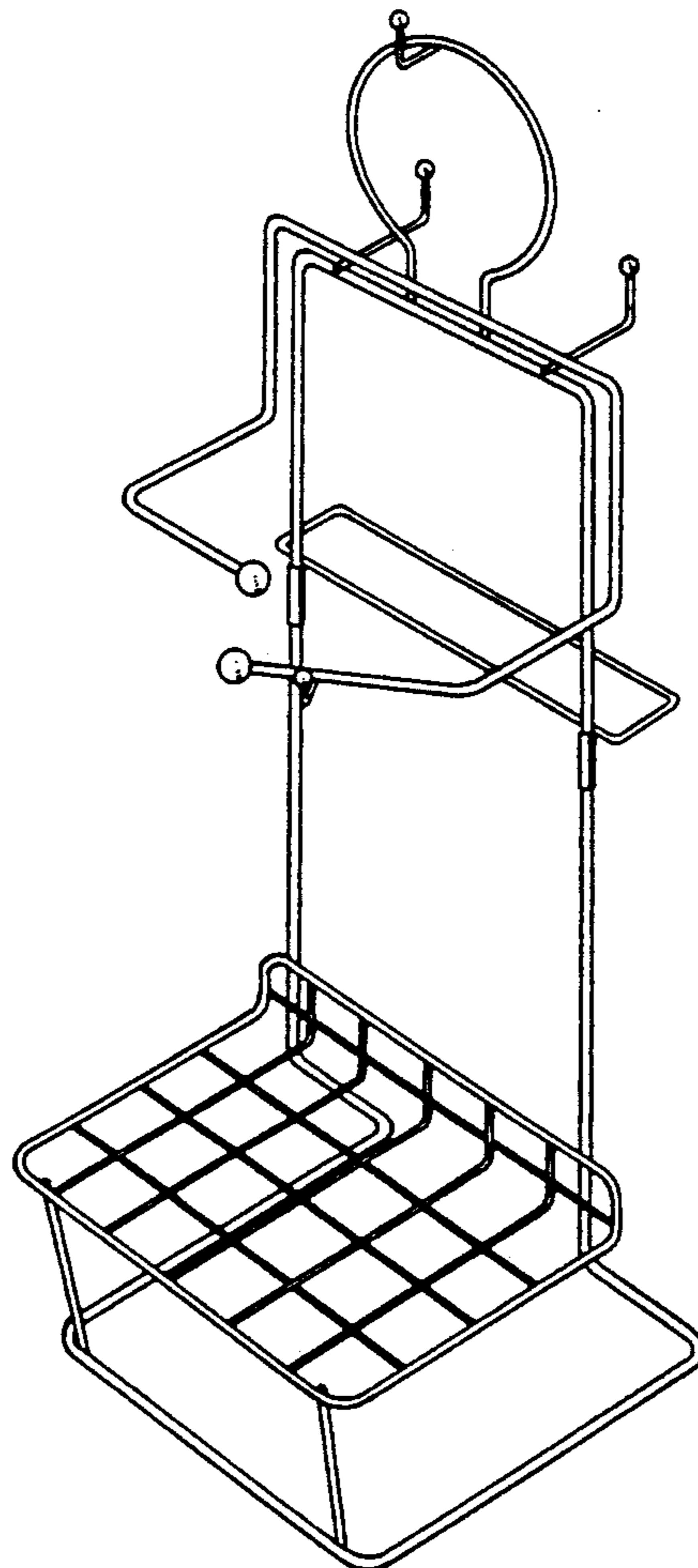
- D. 144,996 6/1946 Stephenson ..... **D6/412**
- D. 154,207 6/1949 Kraus ..... **D6/411**
- D. 164,500 9/1951 Ives .
- D. 170,497 9/1953 Ehrman ..... **D6/411**
- D. 171,659 3/1954 Neagle .
- D. 172,959 9/1954 Flippen ..... **D6/414**
- D. 179,820 3/1957 Reynolds ..... **D6/414**
- D. 181,343 11/1957 Dechar .
- D. 186,607 11/1959 Hembd et al. .... **D6/411**
- D. 195,212 5/1963 Koch ..... **D6/414**

[57] **CLAIM**

The ornamental design for a children's clothes organizer, as shown.

**DESCRIPTION**

FIG. 1 is a perspective view of a children's clothes organizer showing my new design; FIG. 2 is a right side elevational view thereof; FIG. 3 is a top plan view thereof; FIG. 4 is a front elevational view thereof; FIG. 5 is a bottom plan view thereof; FIG. 6 is a left side elevational view thereof; and, FIG. 7 is a rear elevational view thereof.



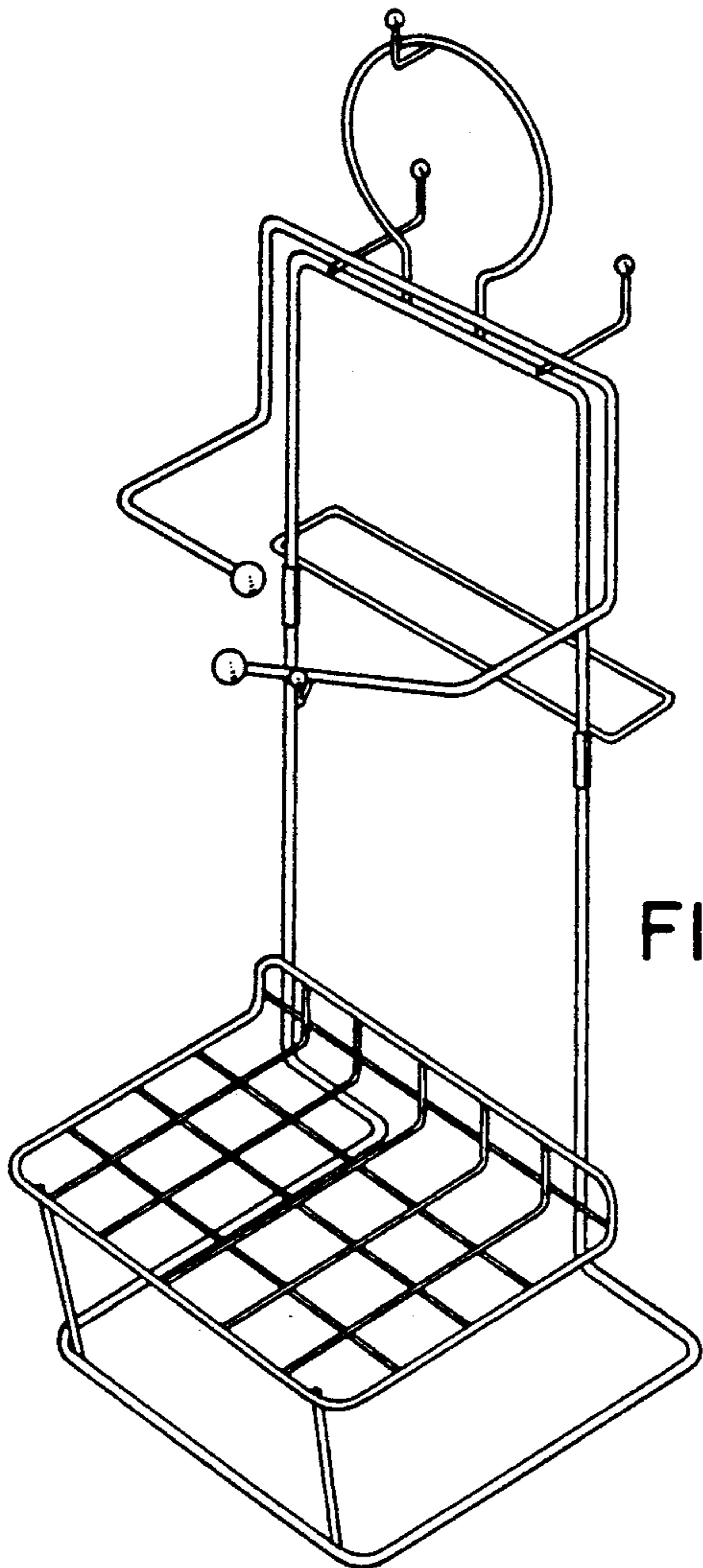


FIG. 1

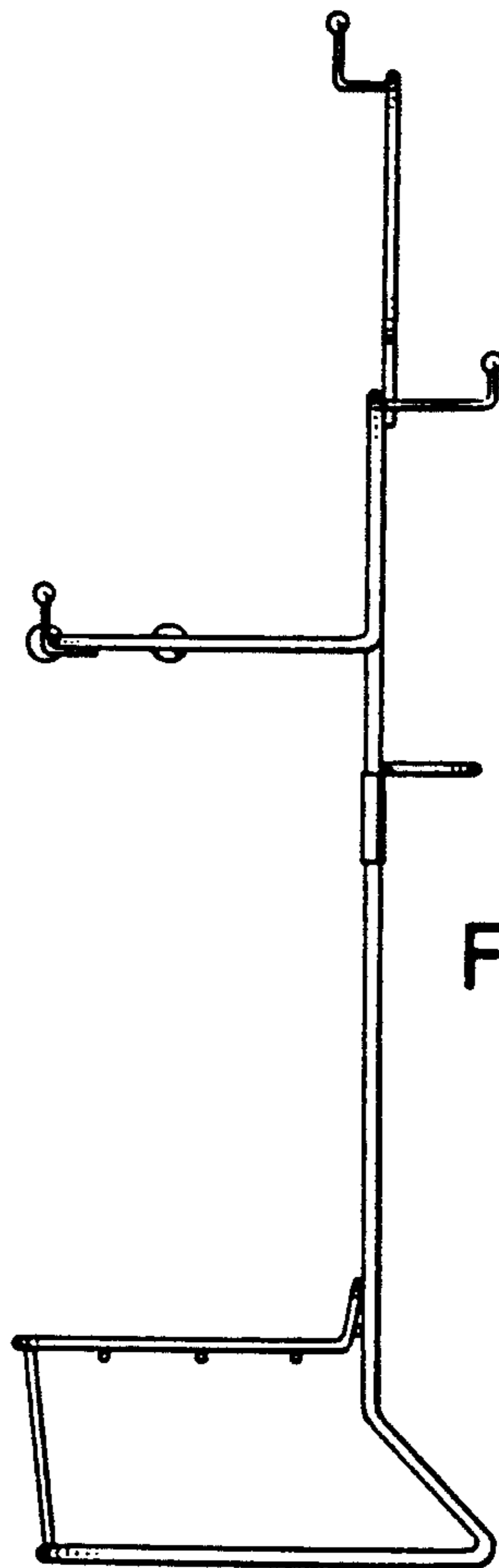


FIG. 2

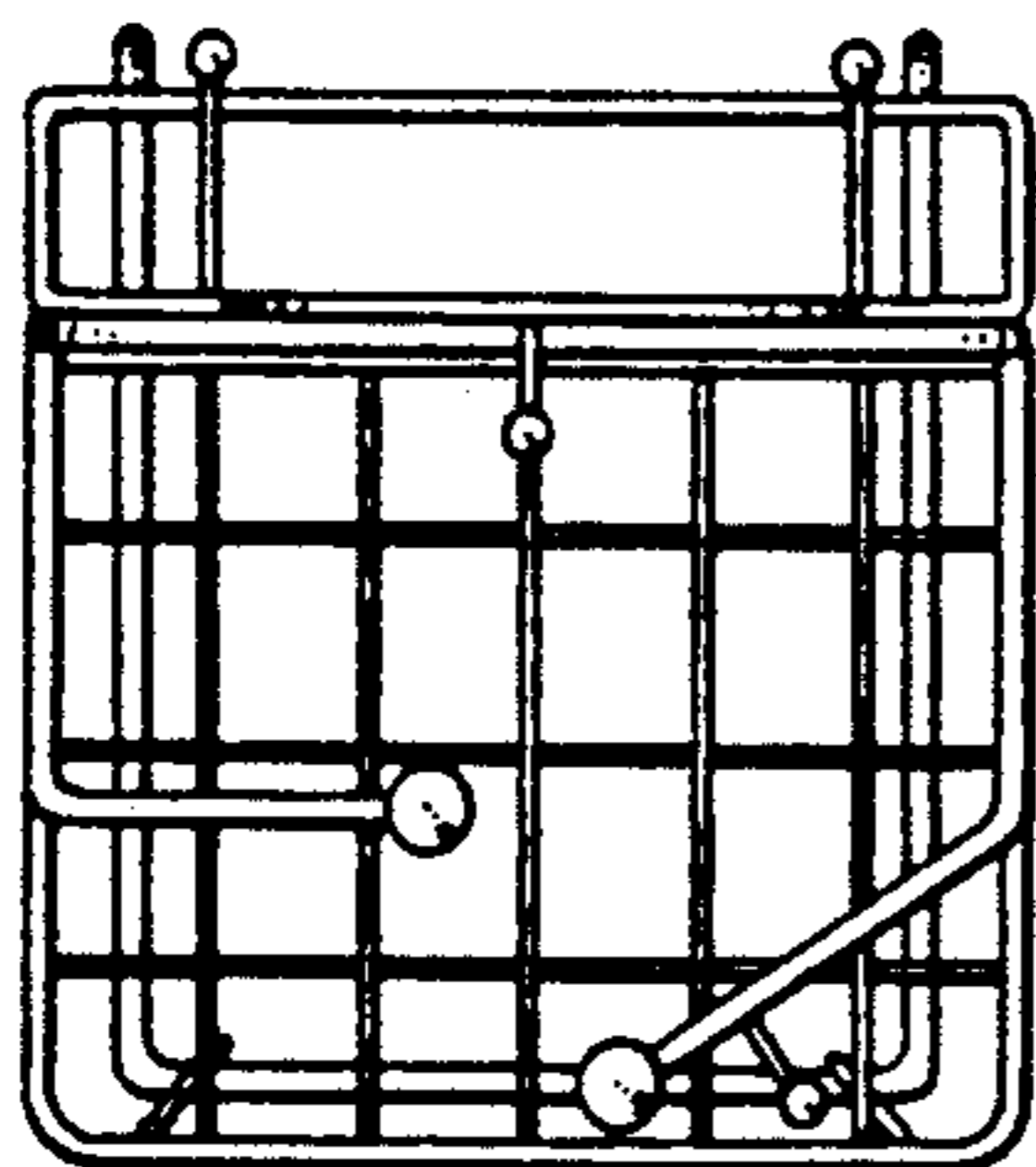


FIG. 3

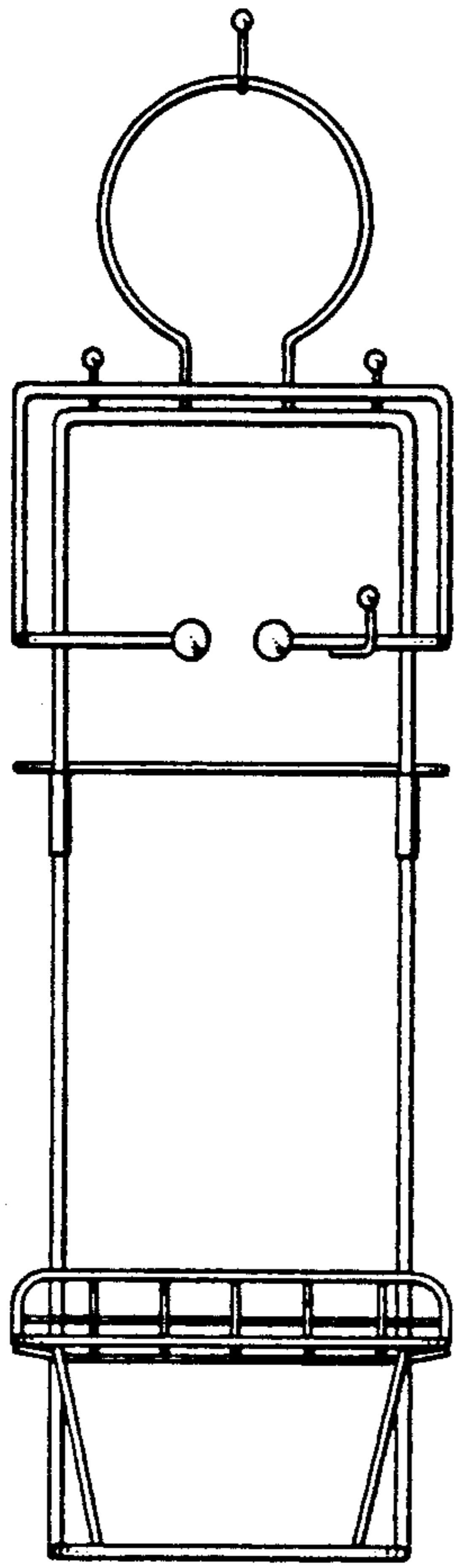


FIG. 4

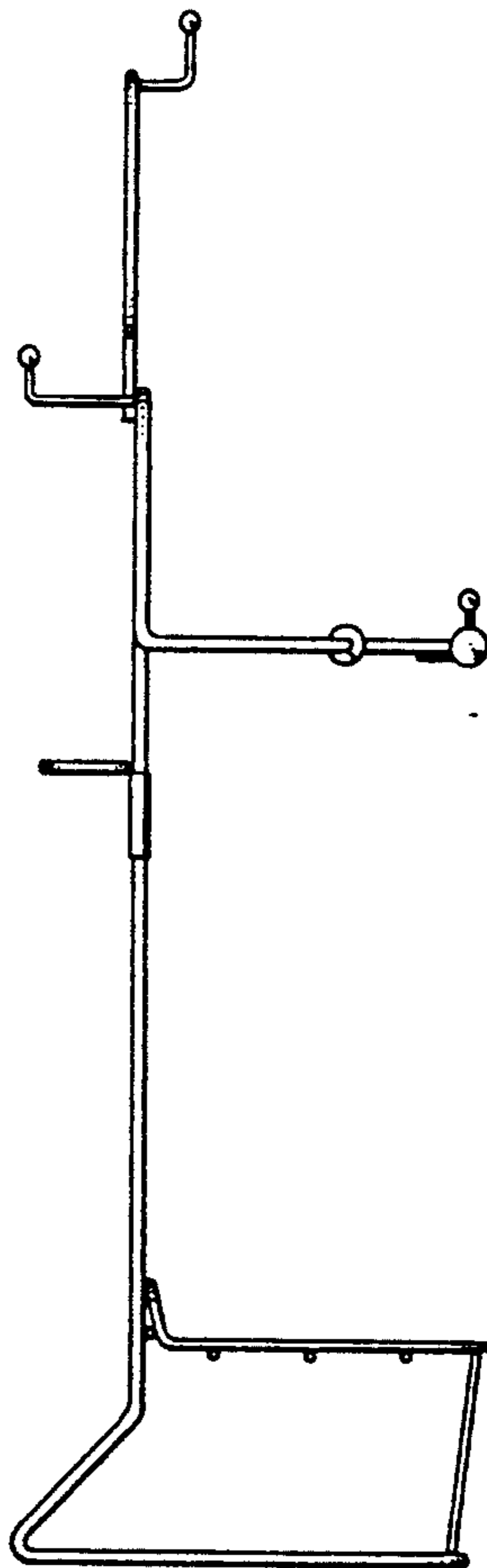


FIG. 6

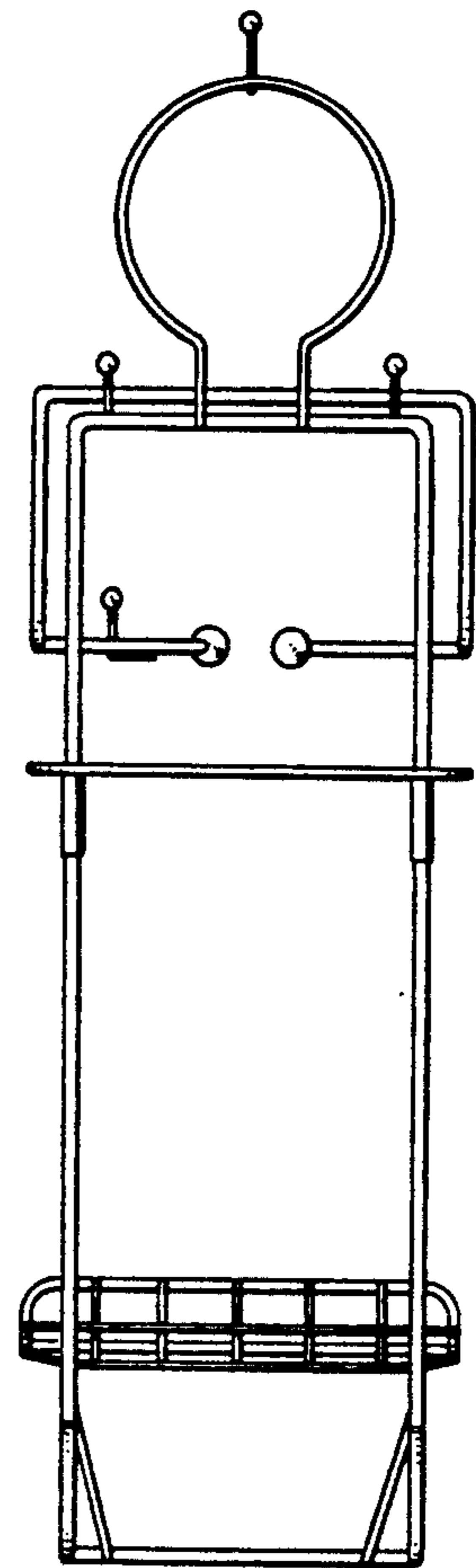


FIG. 7

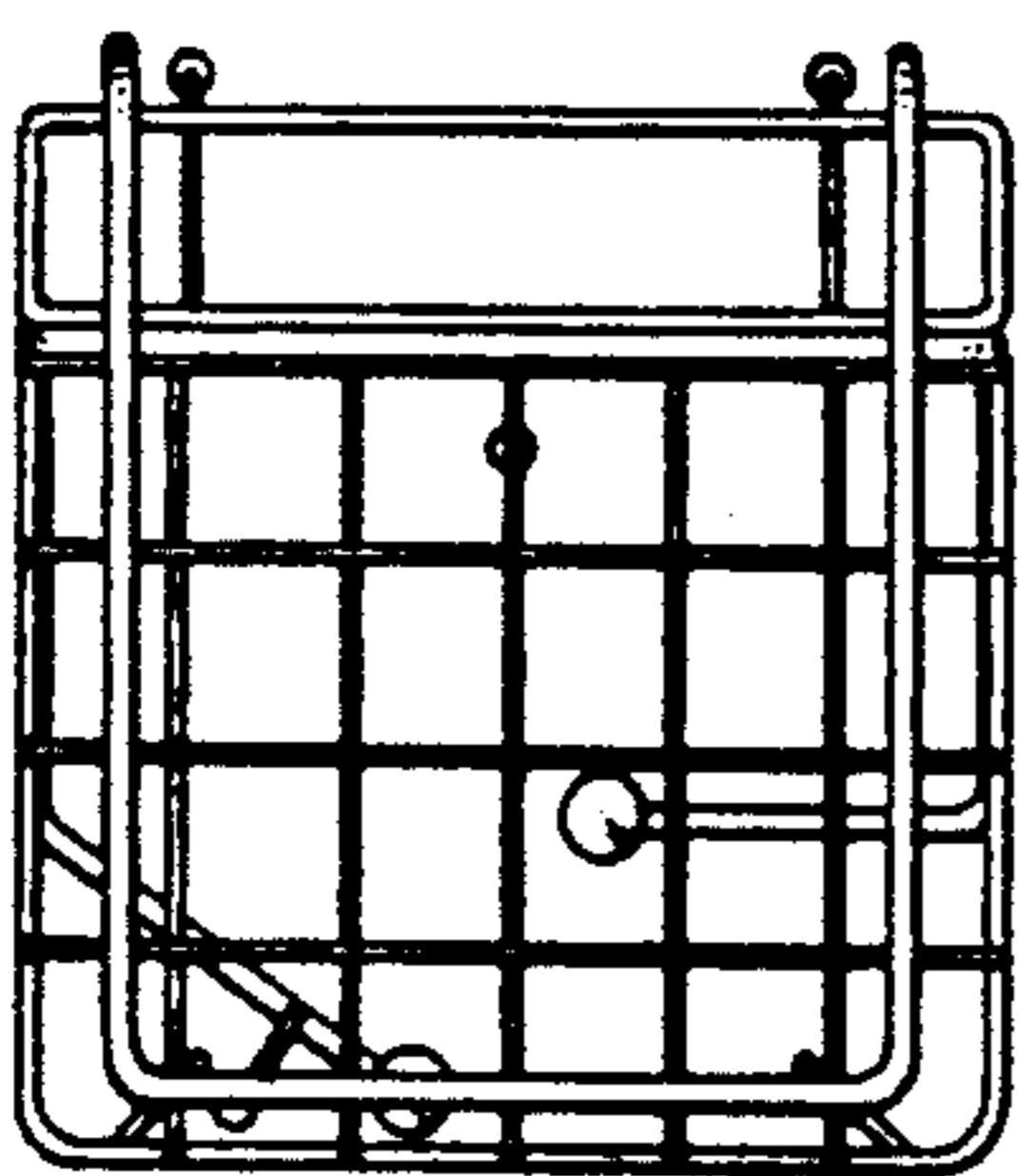


FIG. 5