



US00D340145S

United States Patent [19]

[11] Patent Number: **Des. 340,145**

Smart et al.

[45] Date of Patent: **** Oct. 12, 1993**

[54] **WATER FILLED SOFA**

[76] Inventors: **Brian S. Smart; William Smart**, both of 1797 Farmview Dr., Lexington, Ky. 40515

[**] Term: **14 Years**

[21] Appl. No.: **758,078**

[22] Filed: **Sep. 12, 1991**

[52] U.S. Cl. **D6/381**

[58] Field of Search **D6/334, 335, 364, 371, D6/381, 500, 501, 502; 297/232**

[56] **References Cited**

U.S. PATENT DOCUMENTS

- D. 116,800 9/1939 Forster et al. D6/371
- D. 244,894 7/1977 Tillberg D6/381

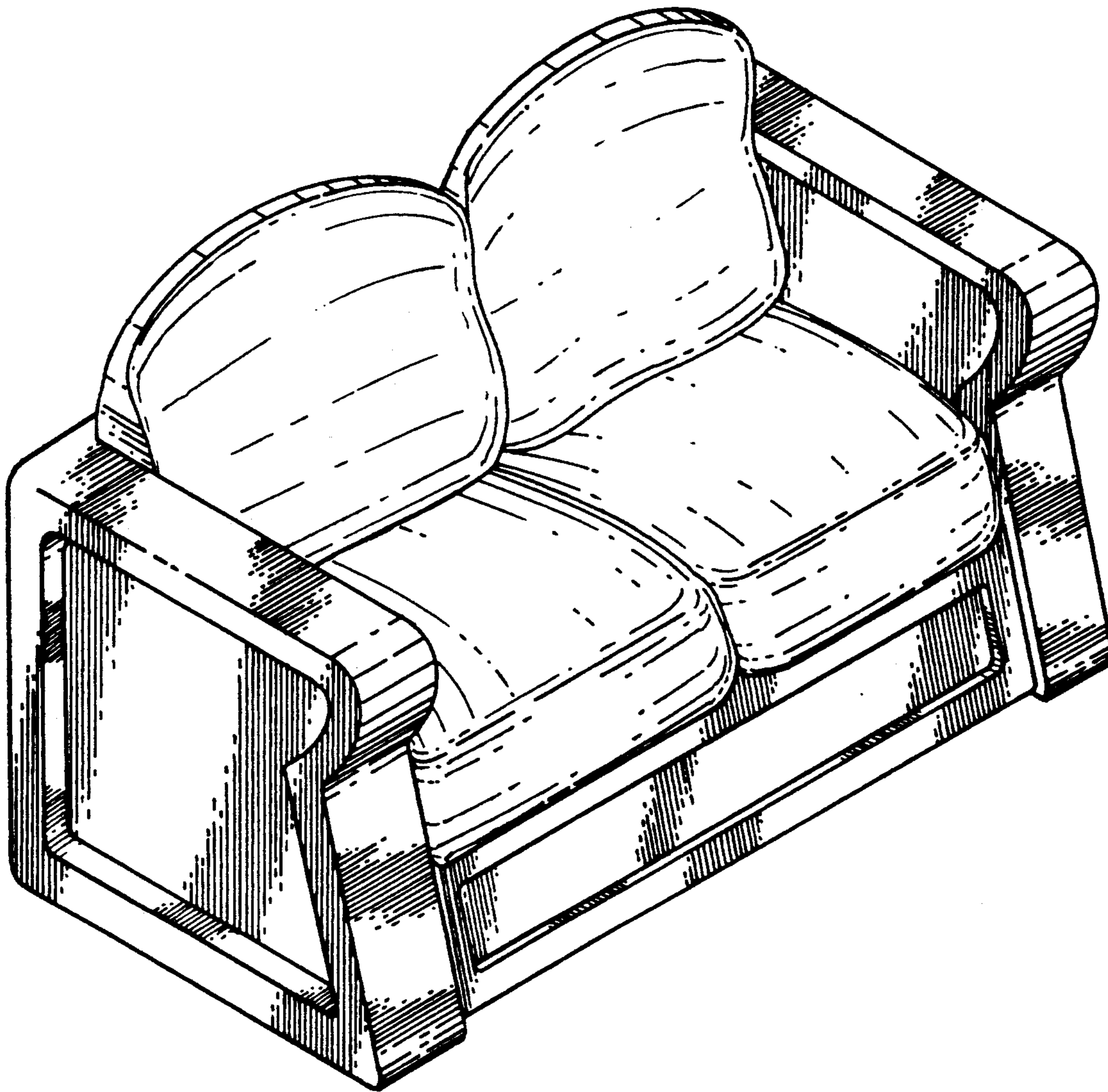
Primary Examiner—Alan P. Douglas
Assistant Examiner—Gary D. Watson
Attorney, Agent, or Firm—Terry M. Gernstein

[57] **CLAIM**

The ornamental design for a water filled sofa, as shown and described.

DESCRIPTION

FIG. 1 is a perspective view of the water filled sofa embodying the design of the present invention; FIG. 2 is a front elevational view thereof; FIG. 3 is a rear elevational view thereof; FIG. 4 is a side elevational view thereof, the side opposite being a mirror image of the side shown in FIG. 4; FIG. 5 is a top plan view thereof; and, FIG. 6 is a bottom view thereof.



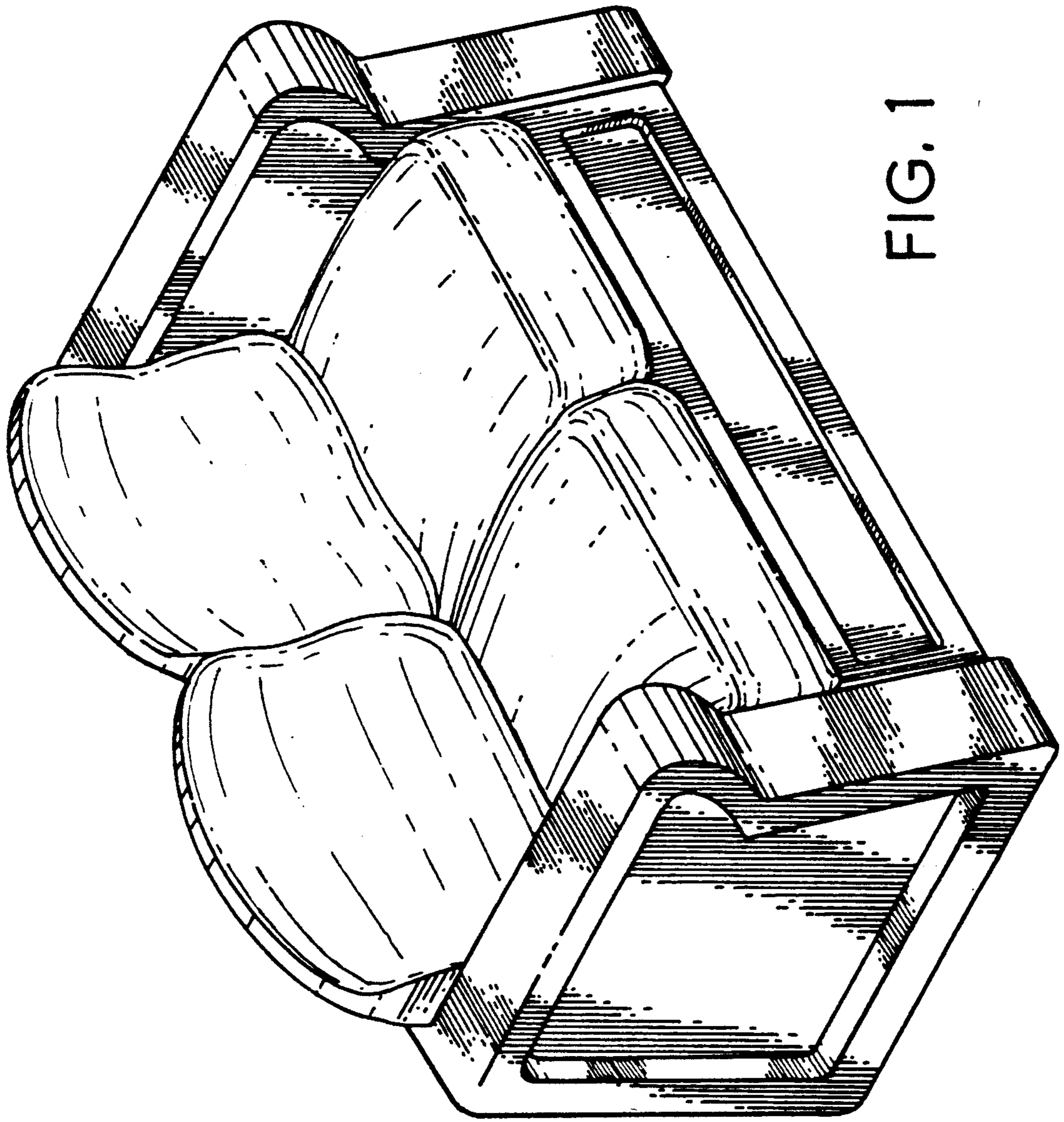


FIG. 1

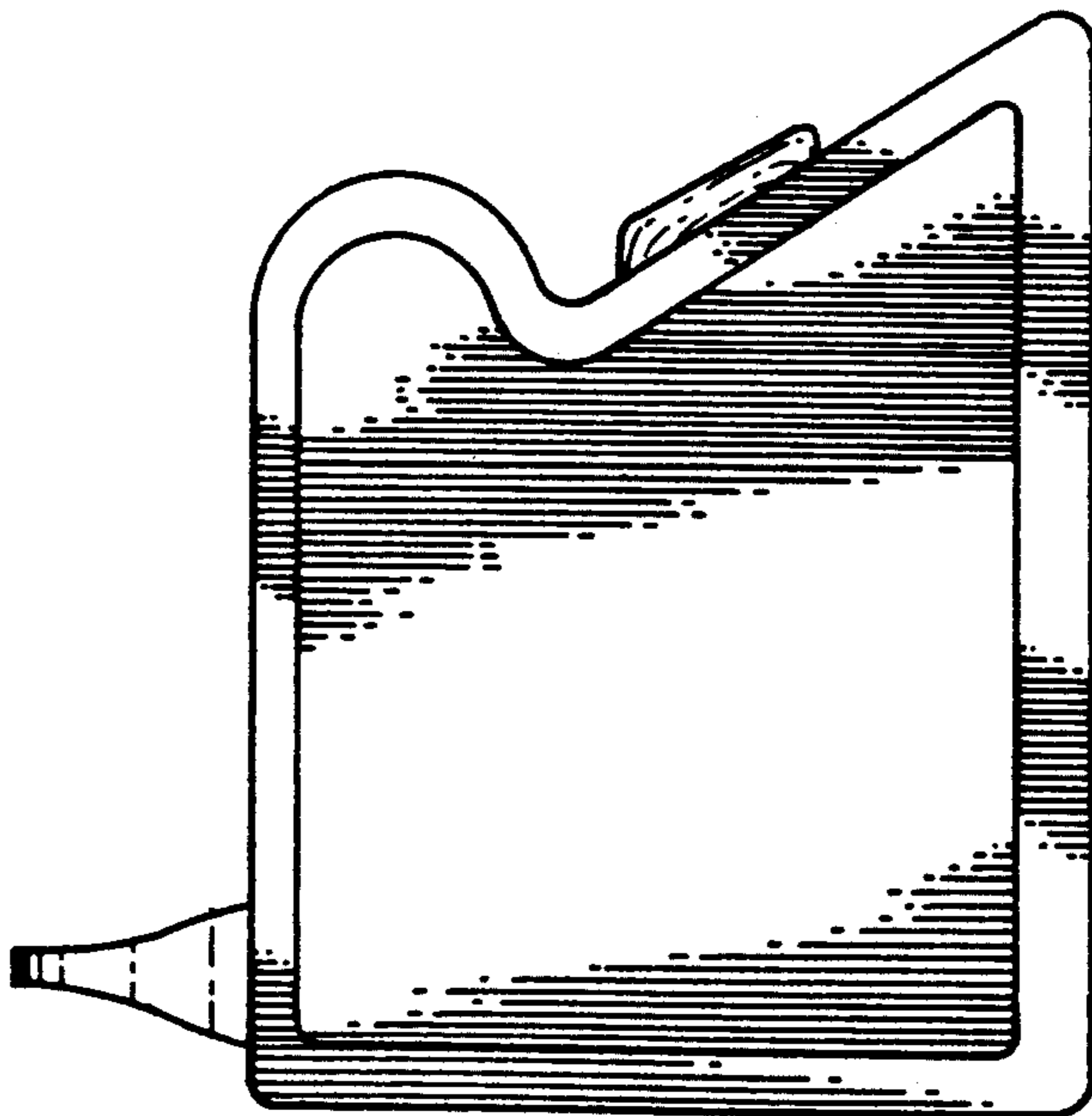


FIG. 4

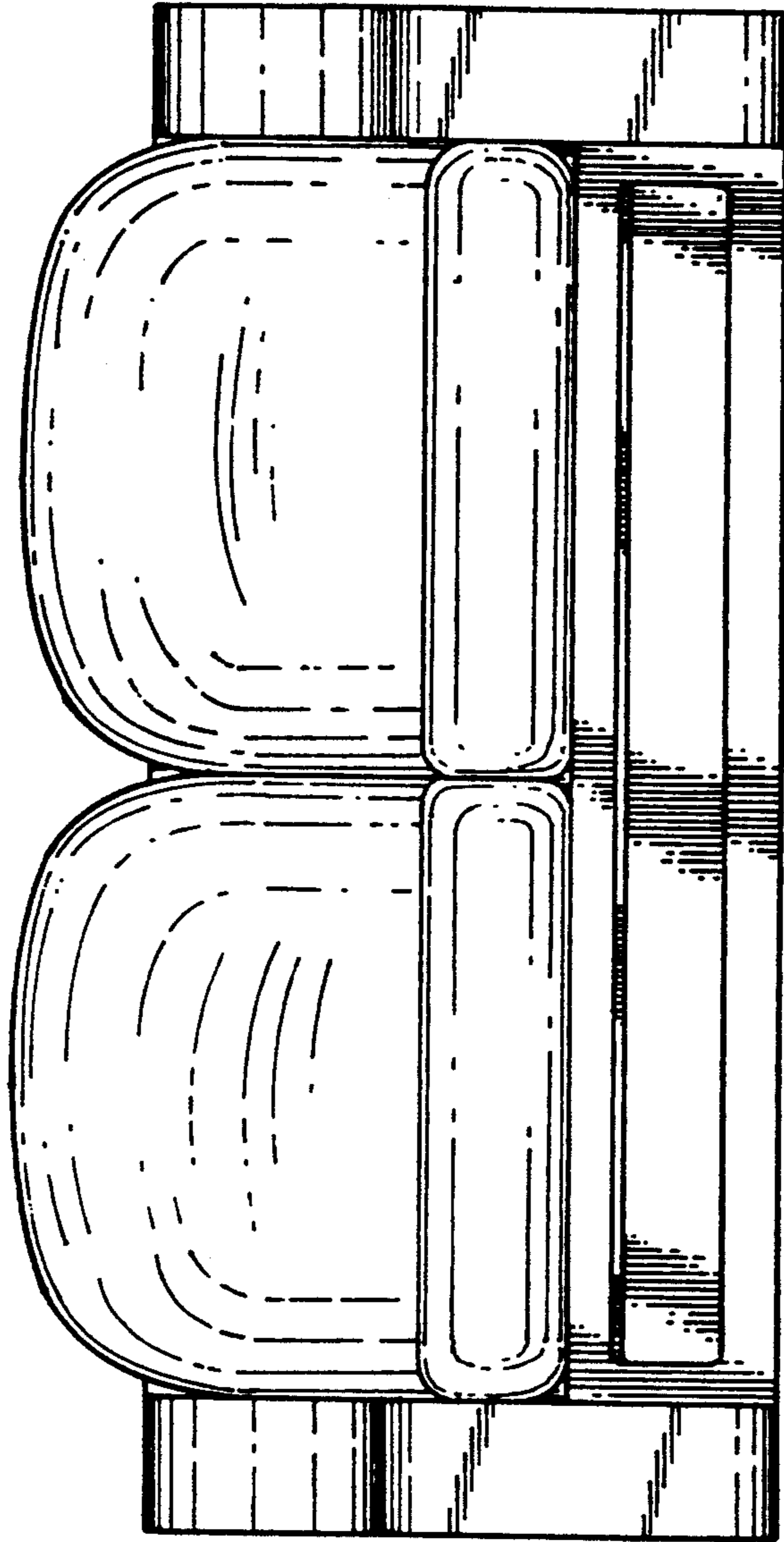


FIG. 2

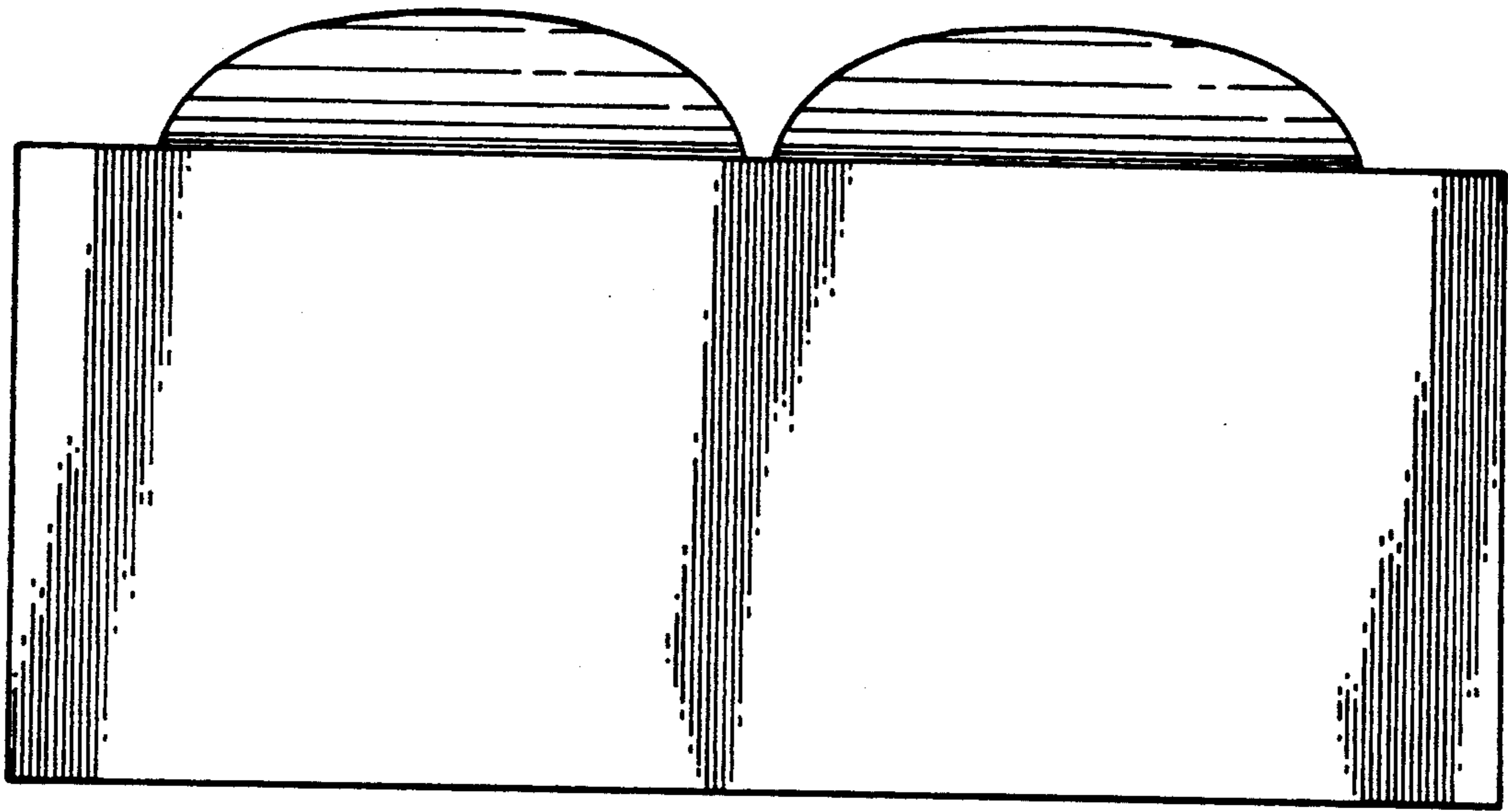


FIG. 3

FIG. 5

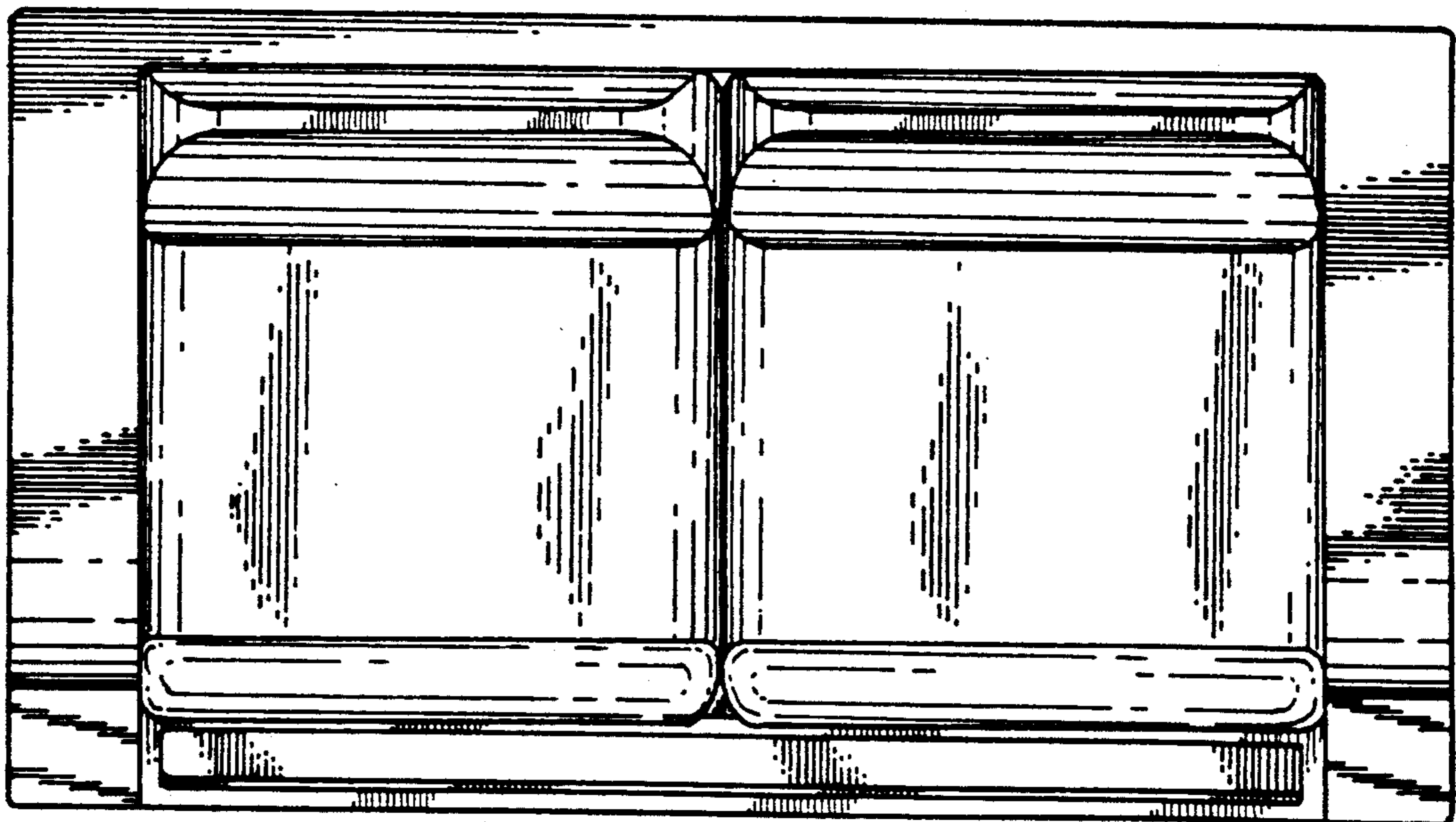


FIG. 6

