



US00D340142S

United States Patent [19]

[11] Patent Number: Des. 340,142

Totoro

[45] Date of Patent: ** Oct. 12, 1993

[54] ROTATABLE BEACH CHAIR

[76] Inventor: Joseph P. Totoro, 24 Polaris Rd., Turnersville, N.J. 08012

[**] Term: 14 Years

[21] Appl. No.: 754,724

[22] Filed: Sep. 4, 1991

[52] U.S. Cl. D6/367; D6/368; D6/375

[58] Field of Search D6/334, 335, 361, 364, D6/365, 367, 368, 374, 375, 379, 500, 501, 502; 297/349, 445

[56] References Cited

U.S. PATENT DOCUMENTS

D. 167,761	9/1952	Luckhardt	D6/361
D. 261,329	10/1981	Van Horn	D6/375 X
3,565,486	2/1971	Channon	297/445
4,379,588	4/1983	Speice	297/217
4,824,170	4/1989	Goldmeier	248/349

FOREIGN PATENT DOCUMENTS

846349 9/1939 France .
1408575 10/1975 United Kingdom .

OTHER PUBLICATIONS

H-S Brochure, p. 52, Chair at top left.

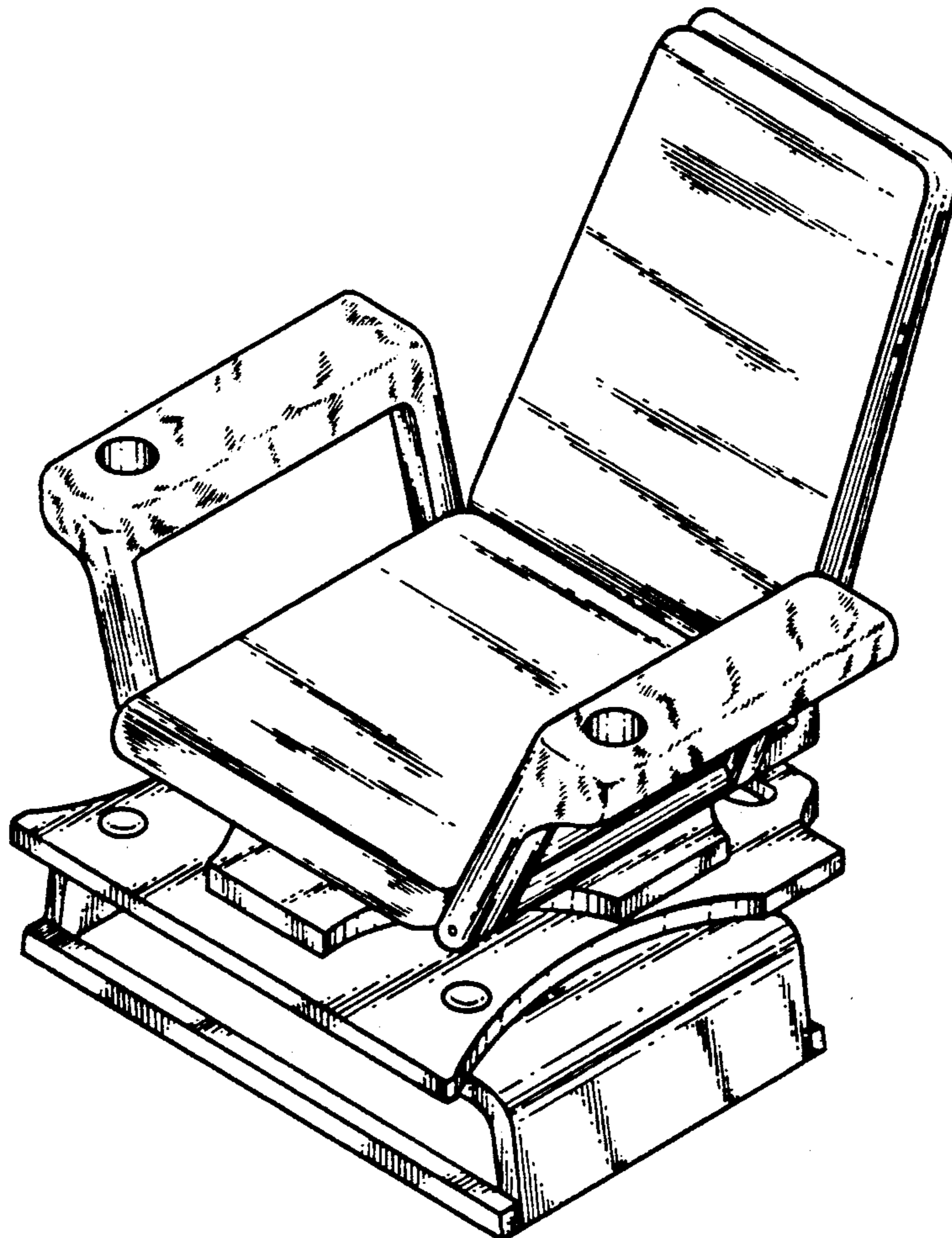
Primary Examiner—Alan P. Douglas
Assistant Examiner—Gary D. Watson
Attorney, Agent, or Firm—Terry M. Gernstein

[57] CLAIM

The ornamental design for a rotatable beach chair, as shown and described.

DESCRIPTION

FIG. 1 is a perspective view of the rotatable beach chair embodying the design of the present invention; FIG. 2 is a front elevational view thereof; FIG. 3 is a rear elevational view thereof; FIG. 4 is a side elevational view thereof, the side opposite being a mirror image of the side shown in FIG. 4; FIG. 5 is a top plan view thereof; and, FIG. 6 is a bottom view thereof.



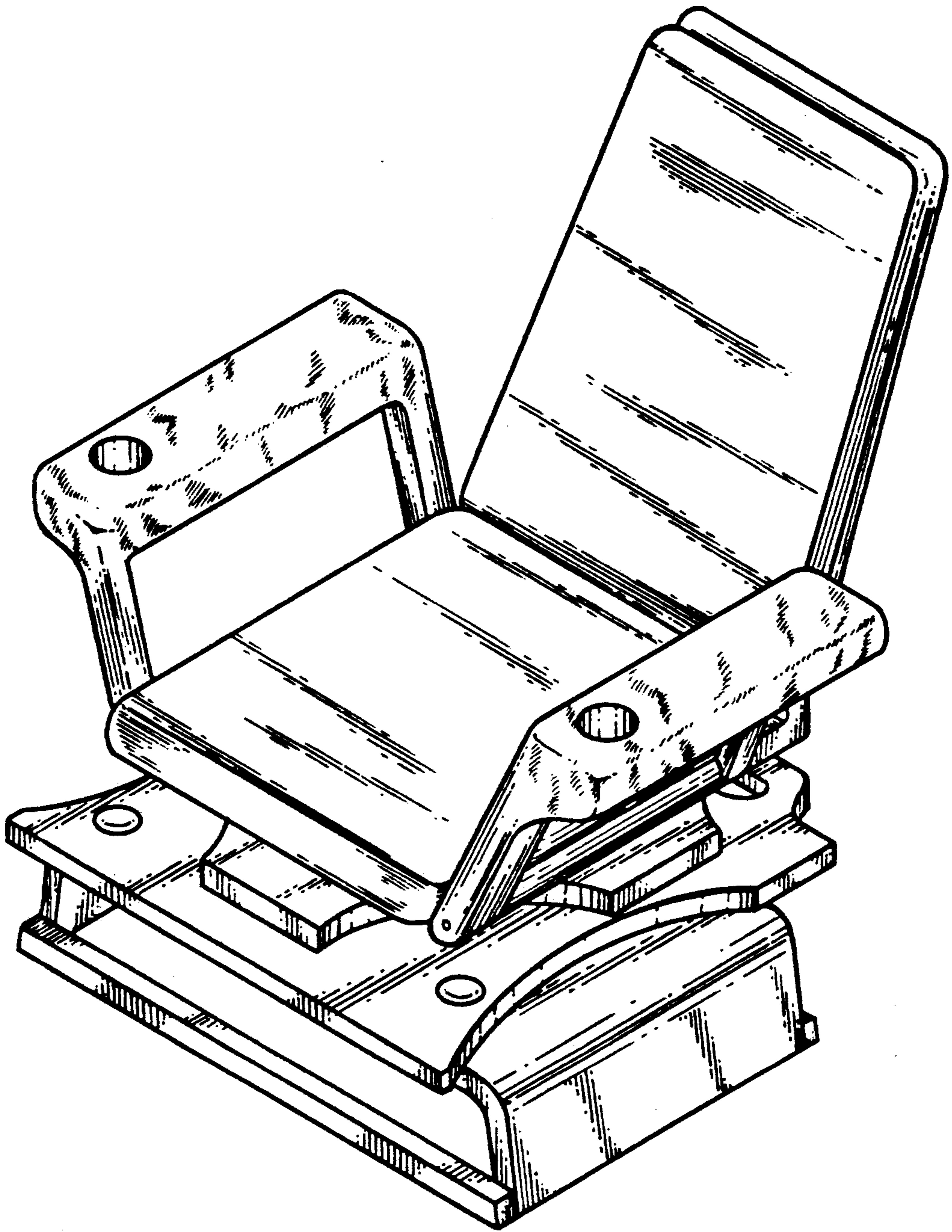


FIG. 1

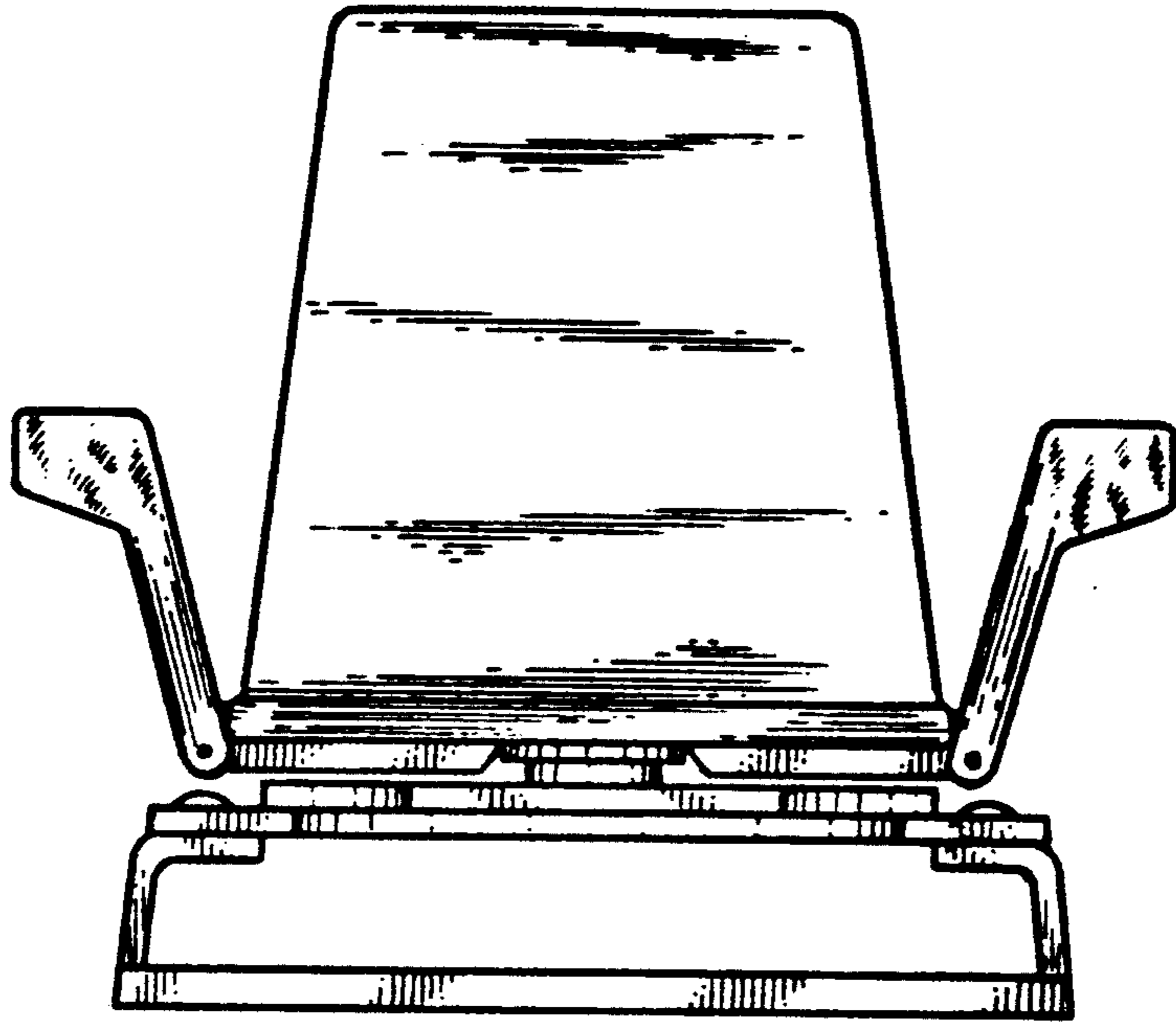


FIG. 2

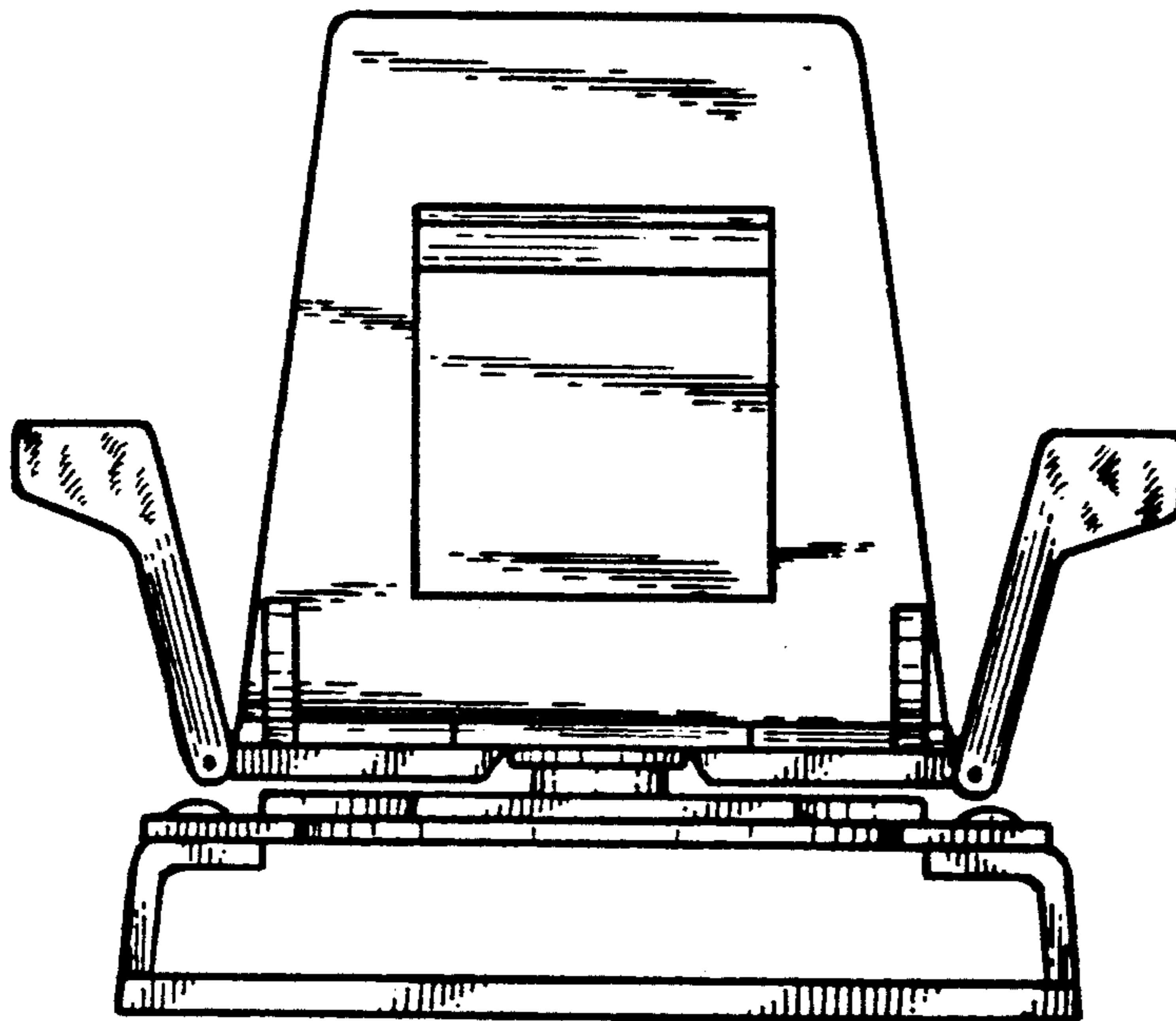


FIG. 3

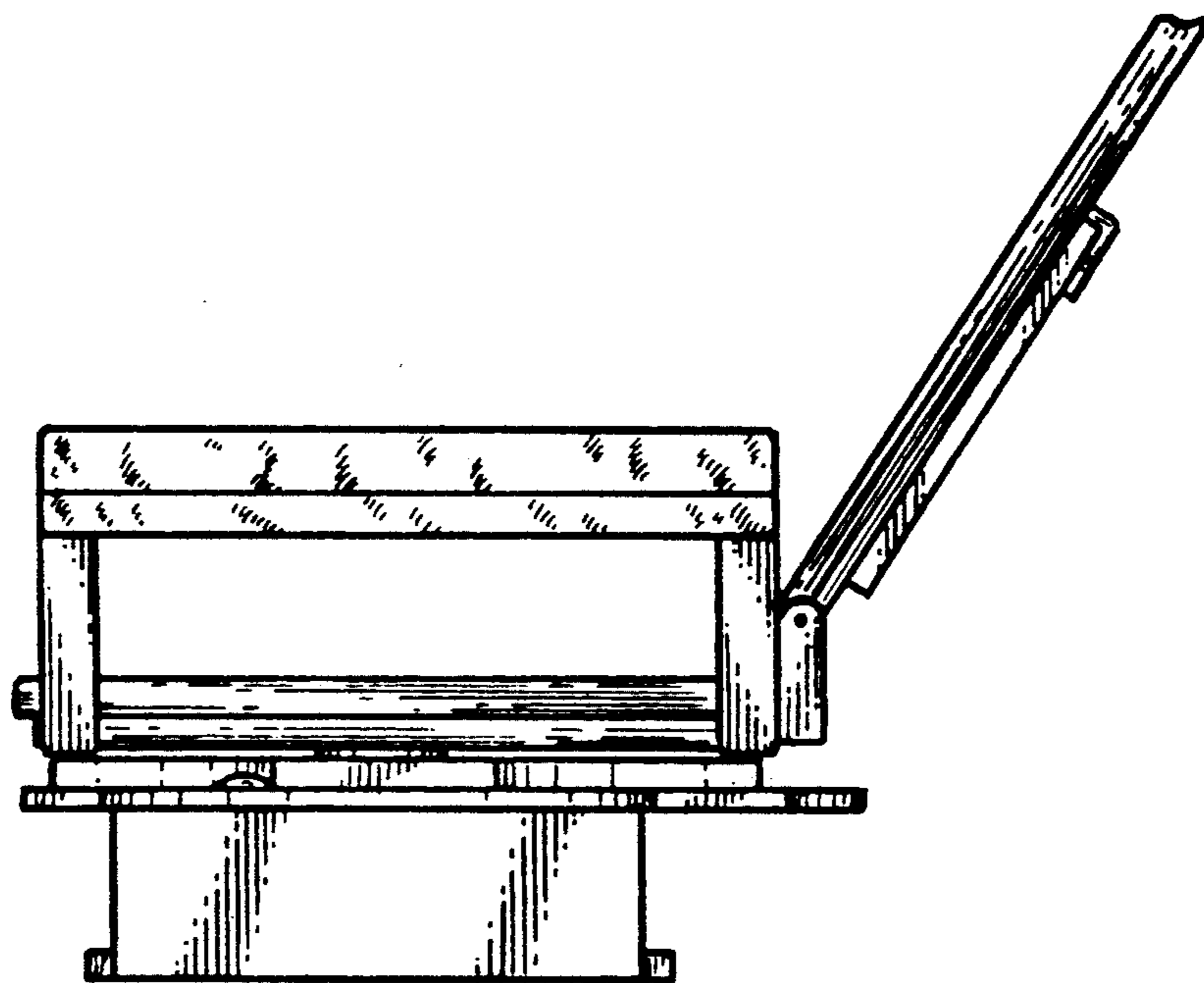


FIG. 4

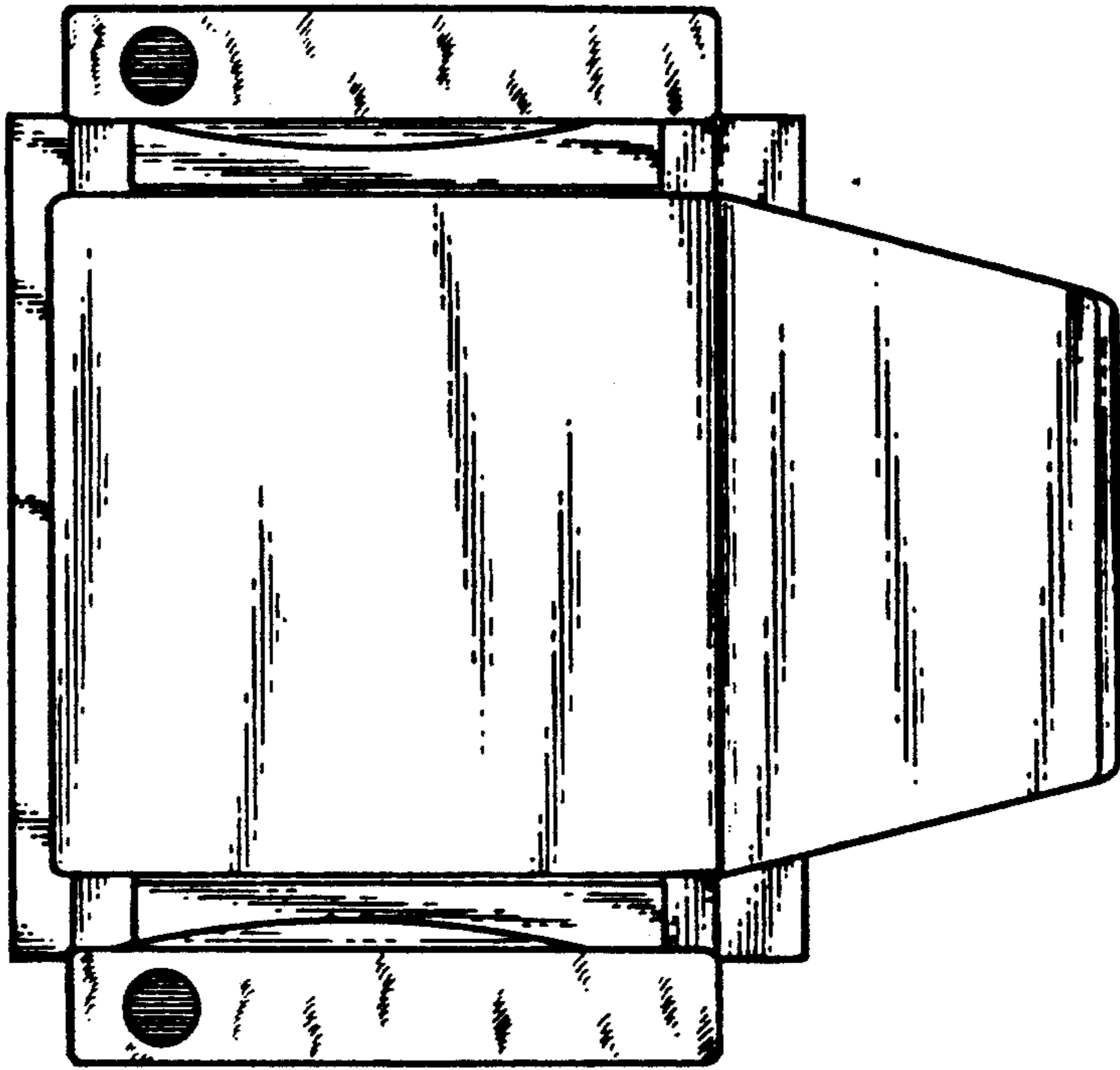


FIG. 5

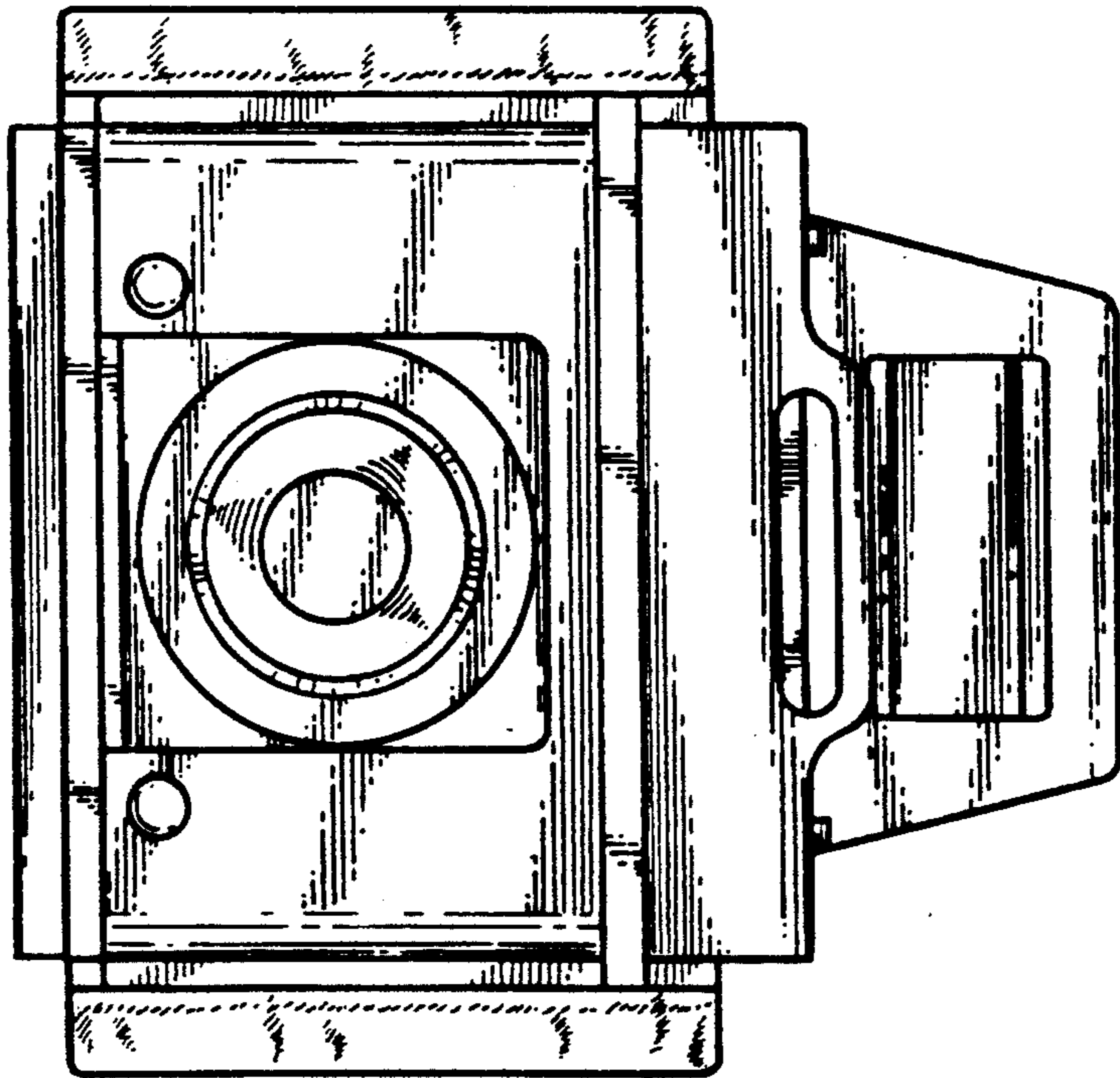


FIG. 6