



US00D340140S

United States Patent [19]

[11] Patent Number: **Des. 340,140**

Cunningham et al.

[45] Date of Patent: **** Oct. 12, 1993**

[54] **PORTABLE AND COLLAPSIBLE INFANT SEAT**

4,693,512 9/1987 Hobson 297/277
4,801,176 1/1989 Wolberg .

[75] Inventors: **Jocelyn P. Cunningham, 3517 Herschel View Way, Cincinnati, Ohio 45208; Thomas J. Schmidlin, Jr., Cincinnati, Ohio**

[73] Assignee: **Jocelyn P. Cunningham, Cincinnati, Ohio**

[**] Term: **14 Years**

[21] Appl. No.: **817,826**

[22] Filed: **Jan. 7, 1992**

[52] U.S. Cl. **D6/333; D6/391**

[58] Field of Search **D6/331, 333, 390-392, D6/385-387, 347; D12/129; 5/93.1, 93.2, 97, 98.1-98.3, 99.1, 101, 104, 120, 121, 122, 127, 128, 130; 297/273-275, 277, 285**

[56] **References Cited**

U.S. PATENT DOCUMENTS

- D. 245,861 9/1977 Elder D6/333
- D. 282,791 3/1986 Lockett, III et al. .
- D. 285,884 9/1986 Wise .
- D. 289,465 4/1987 Wise .
- 379,670 3/1888 Whitehead .
- 540,190 5/1895 Rawson et al. 5/127 X
- 1,039,078 9/1912 Arnold .
- 2,006,823 7/1935 Beeskow .
- 2,096,169 10/1937 Friesner .
- 2,460,308 2/1949 Pribil 5/655 X
- 2,661,482 12/1953 Zimov 5/98.3 X
- 2,690,792 10/1954 Moss .
- 3,348,882 10/1967 Chassignac .
- 3,697,476 12/1954 Tripodi et al. .
- 3,839,754 10/1974 Hooper .
- 3,890,660 6/1975 Pedler 5/101
- 4,553,786 11/1985 Lockett, III et al. .
- 4,634,175 1/1987 Wise .

OTHER PUBLICATIONS

Consumer Safety Performance Specification, F 997-89 "Standard Consumer Safety Performance Specification for Infant Walkers".
 Newspaper article from Cincinnati Enquirer, dated Oct. 5, 1990 "Playskool grows beyond toys".
 Advertisement for Century Kanga-Rocka-Roo Adjustable Rocker Carrier, Feeder and Sleeper from Century Products Co.
 Tyke-Hike Baby Rocker, undated.
 3-In-1 Comfort Seat System, undated.
 Infant Seats & Carry Beds, the Sourcebook, undated.
 6126 Jane Bouncer, Marshall Baby Care Products, undated.

Primary Examiner—Alan P. Douglas
Assistant Examiner—J. E. Seeger
Attorney, Agent, or Firm—Frost & Jacobs

[57] **CLAIM**

The ornamental design for a portable and collapsible infant seat, as shown and described.

DESCRIPTION

FIG. 1 is a perspective view of a portable and collapsible infant seat embodying our new design;
 FIG. 2 is a top view of the portable and collapsible infant seat of FIG. 1;
 FIG. 3 is a bottom plan view thereof;
 FIG. 4 is a left side elevational view thereof;
 FIG. 5 is a right side elevational view thereof;
 FIG. 6 is a front elevational view thereof;
 FIG. 7 is a rear elevational view thereof; and,
 FIG. 8 is a perspective view of the portable and collapsible infant seat of FIG. 1, illustrated in collapsed condition.

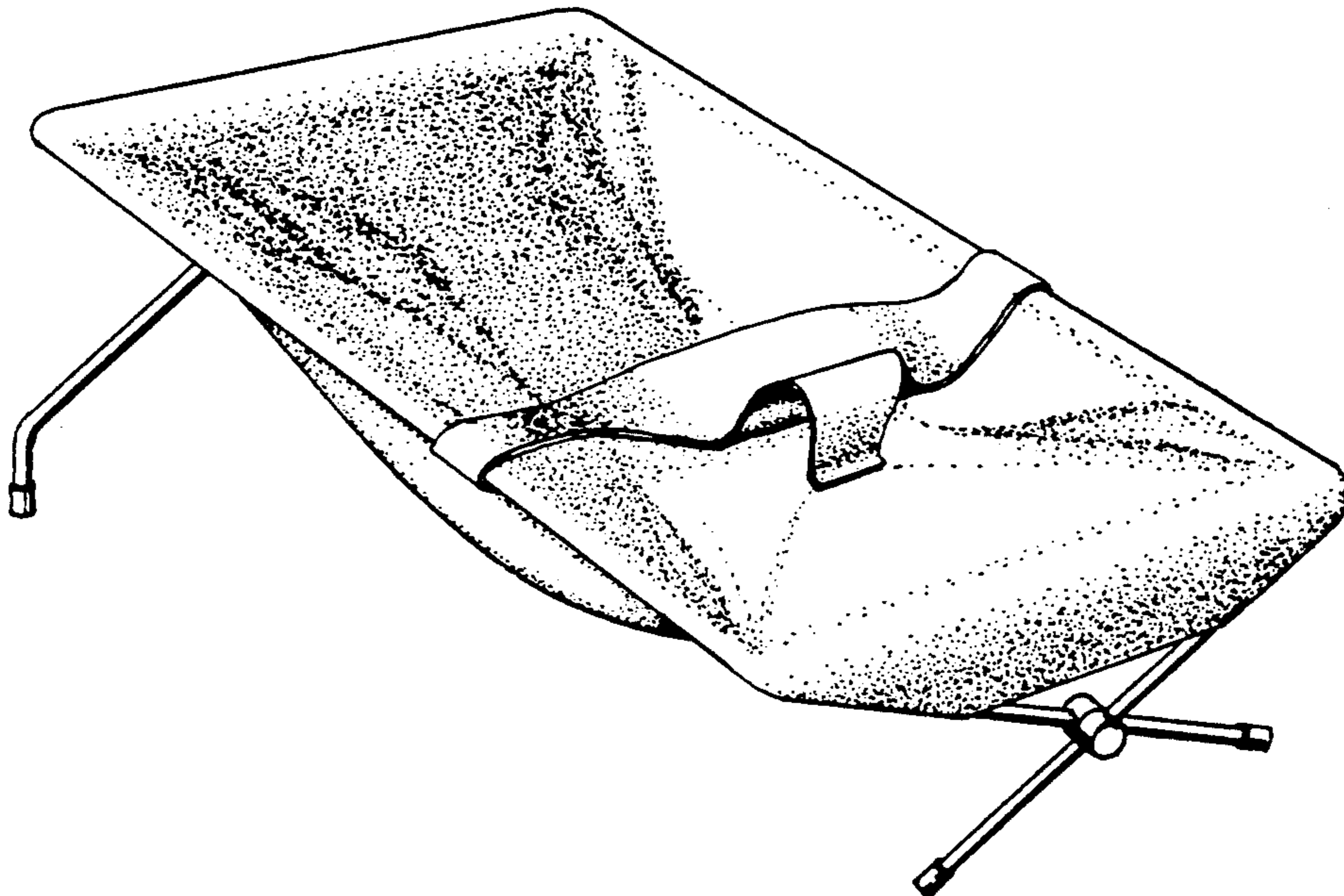


Fig. 1

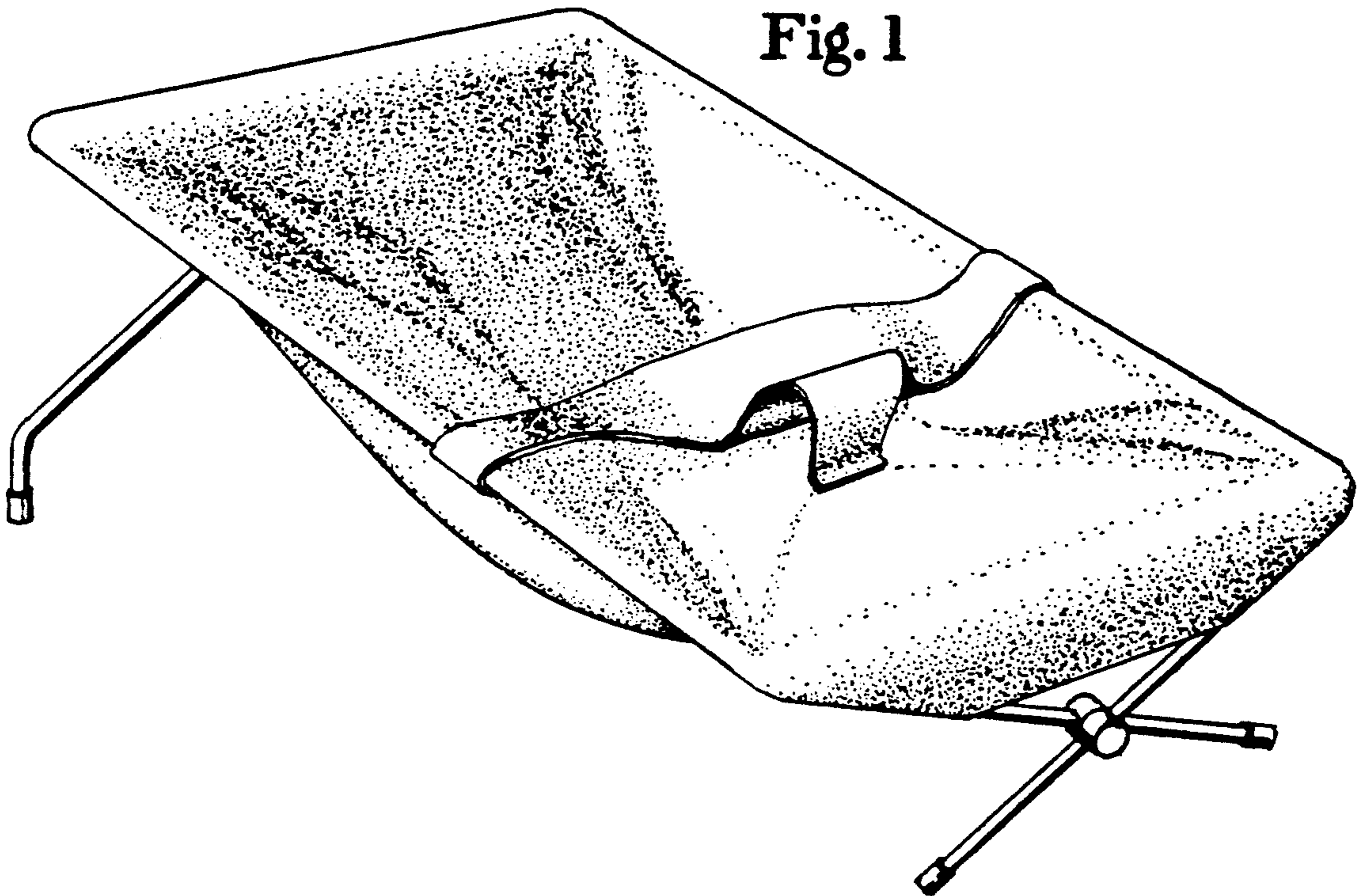


Fig. 2

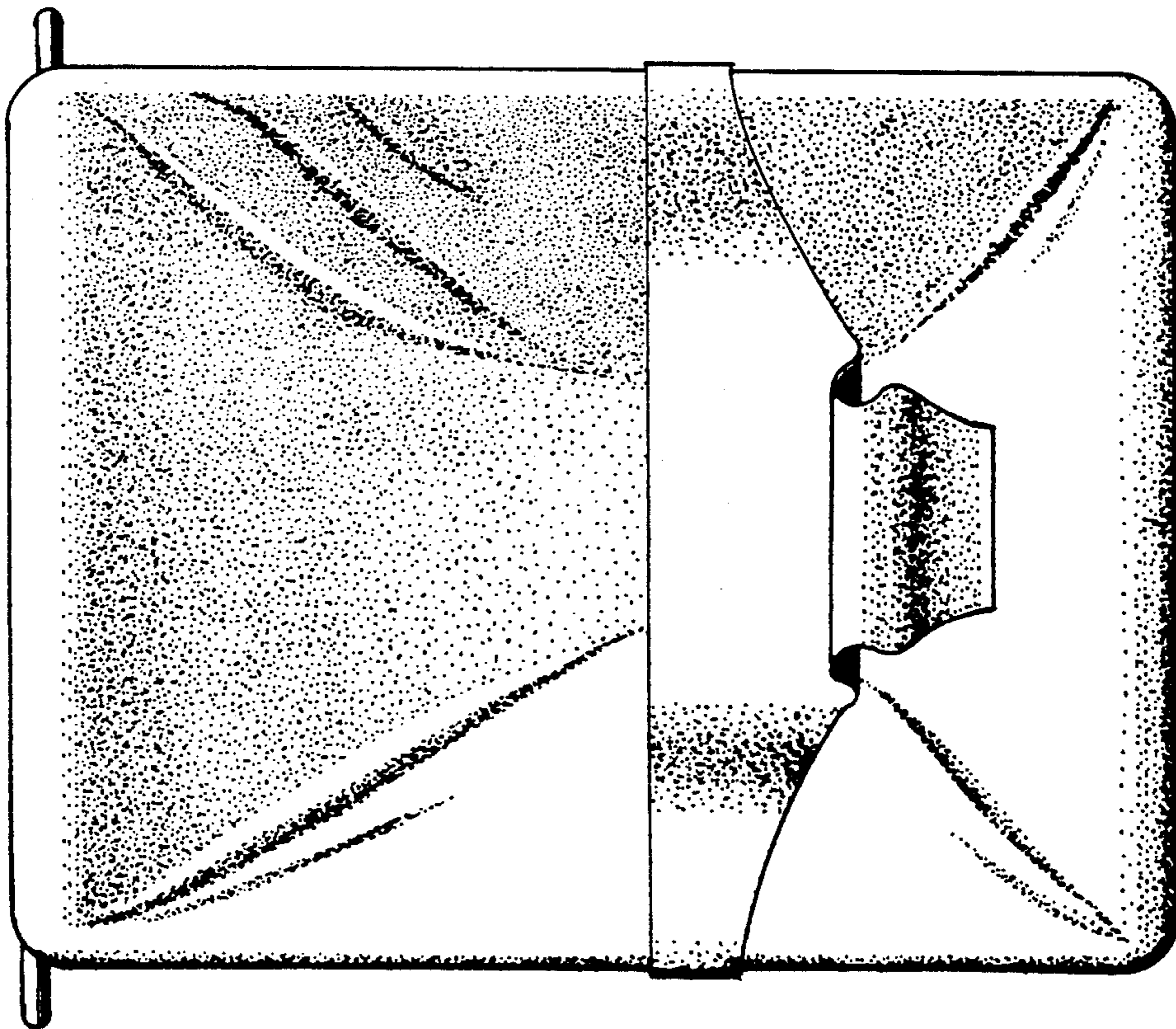


Fig. 3

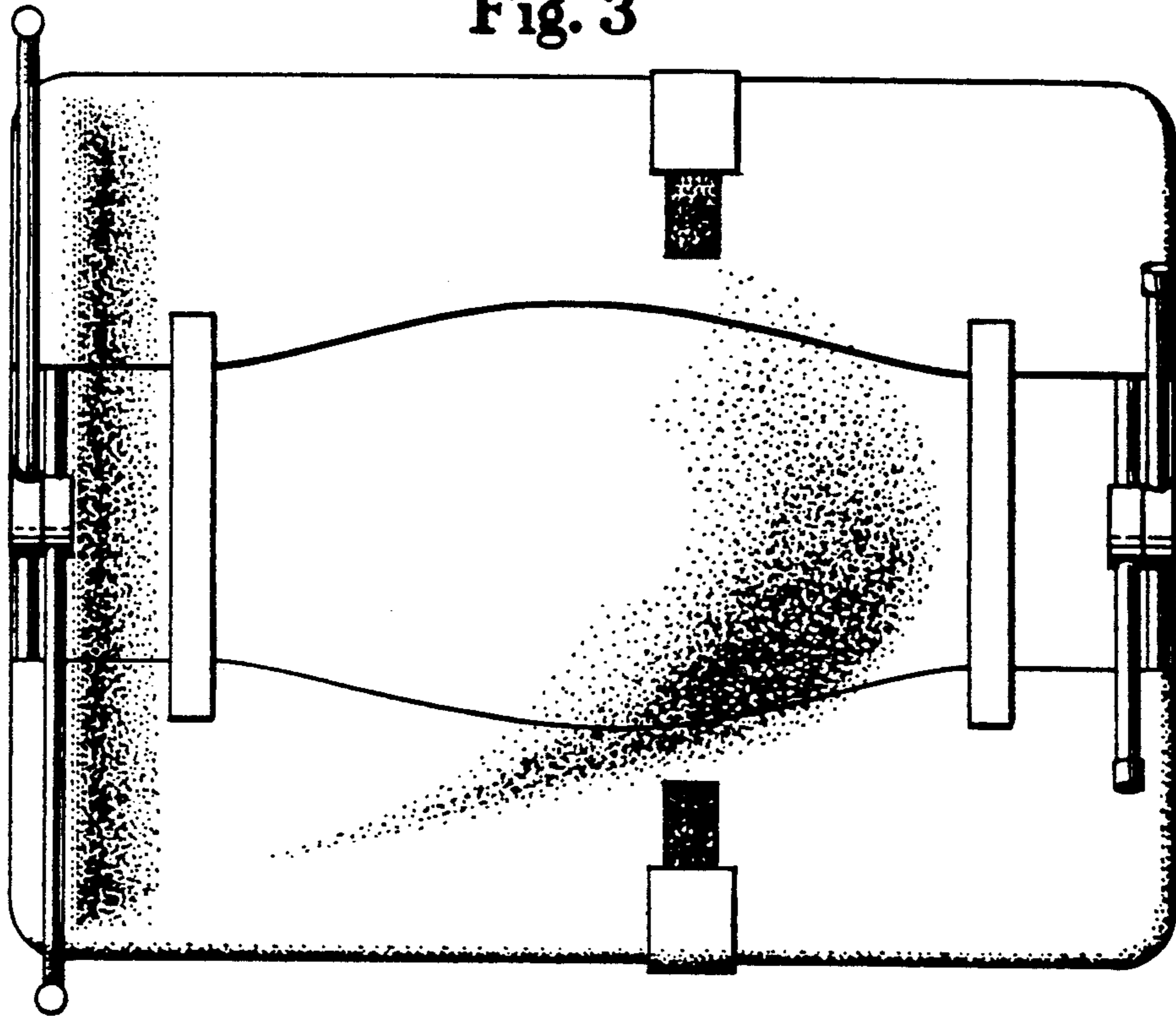


Fig. 4

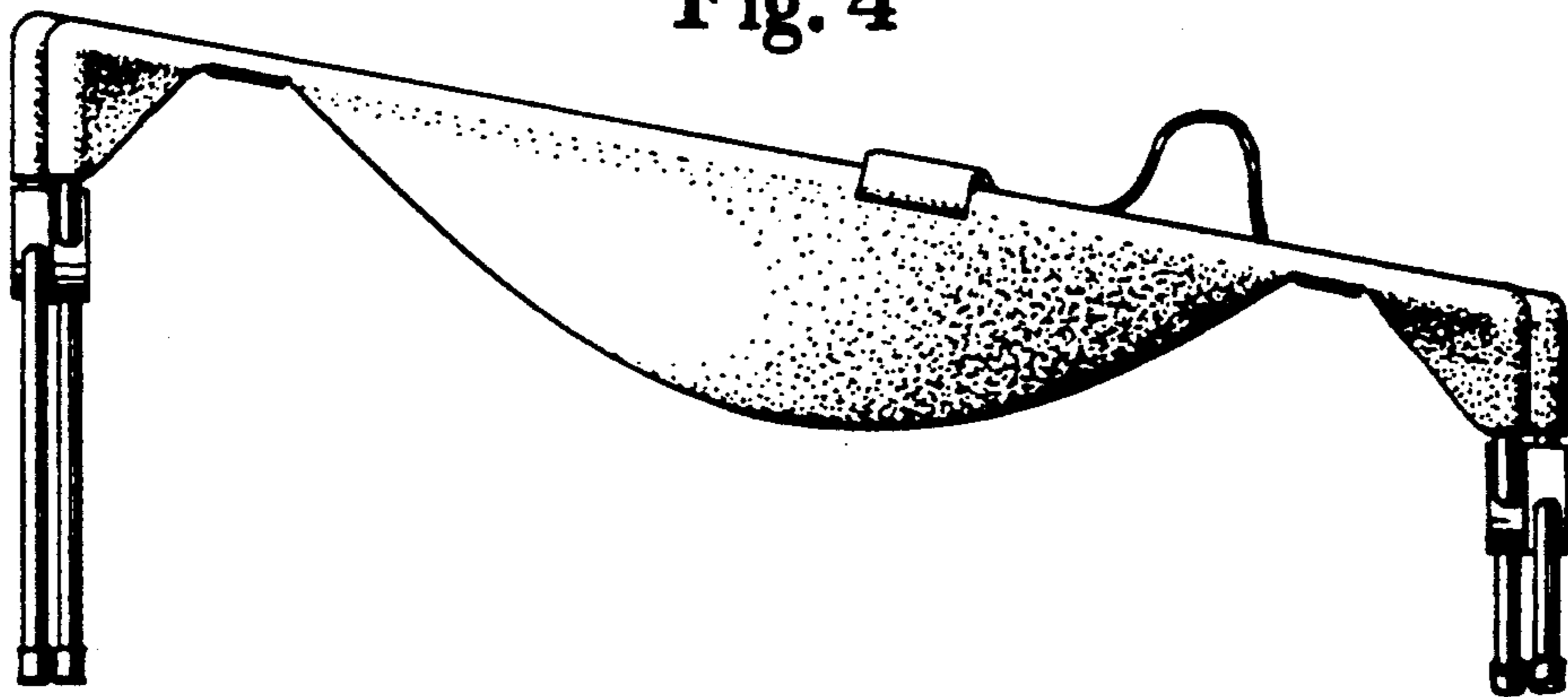


Fig. 5

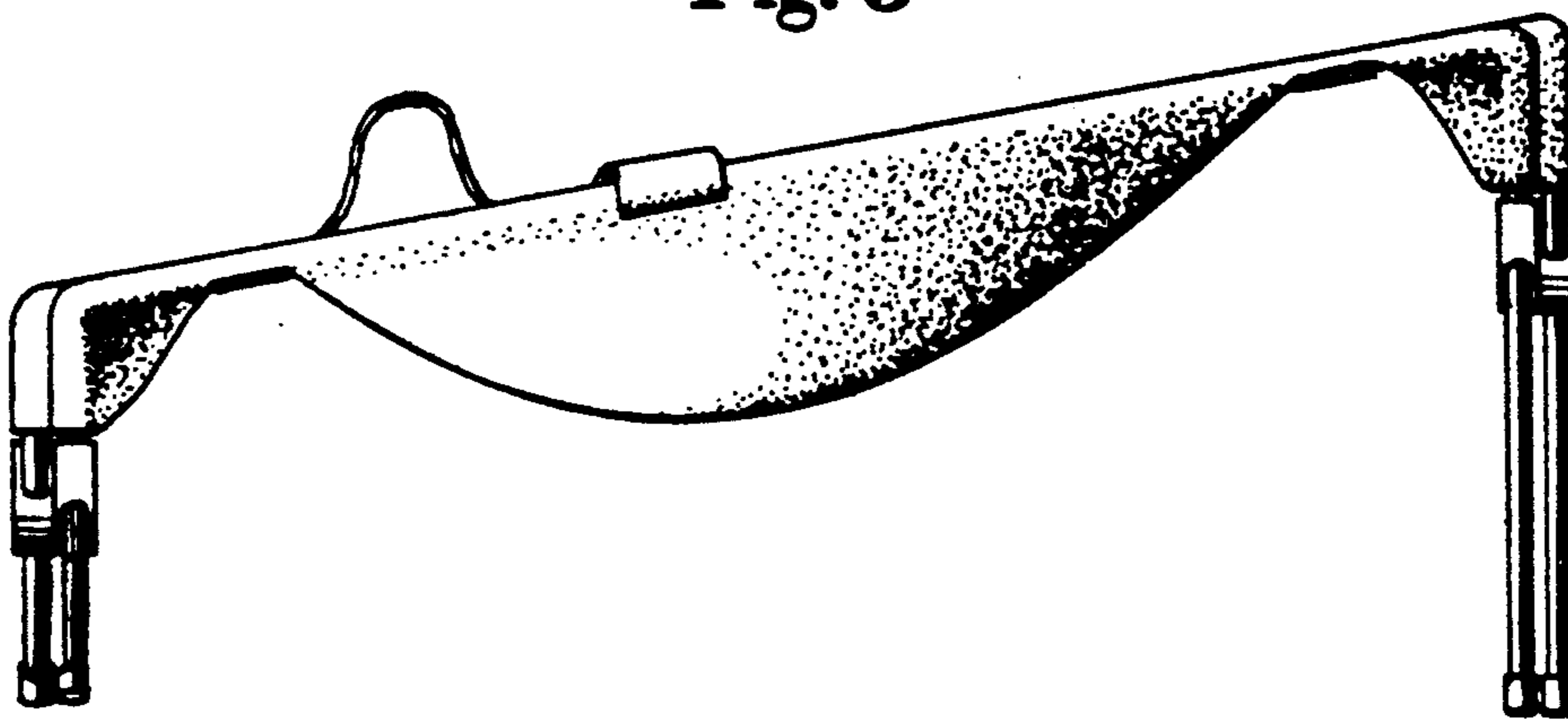


Fig. 6

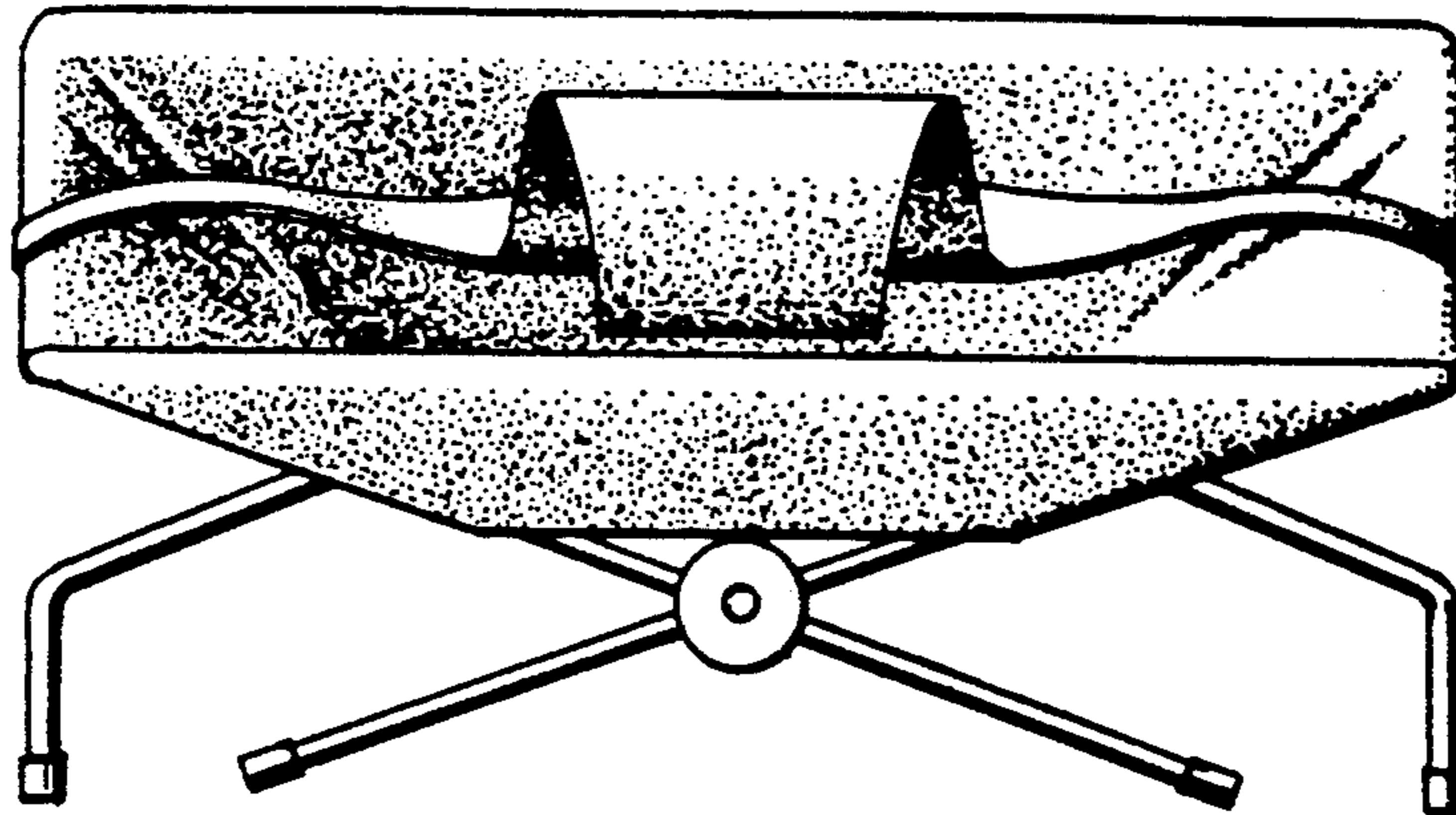


Fig. 7

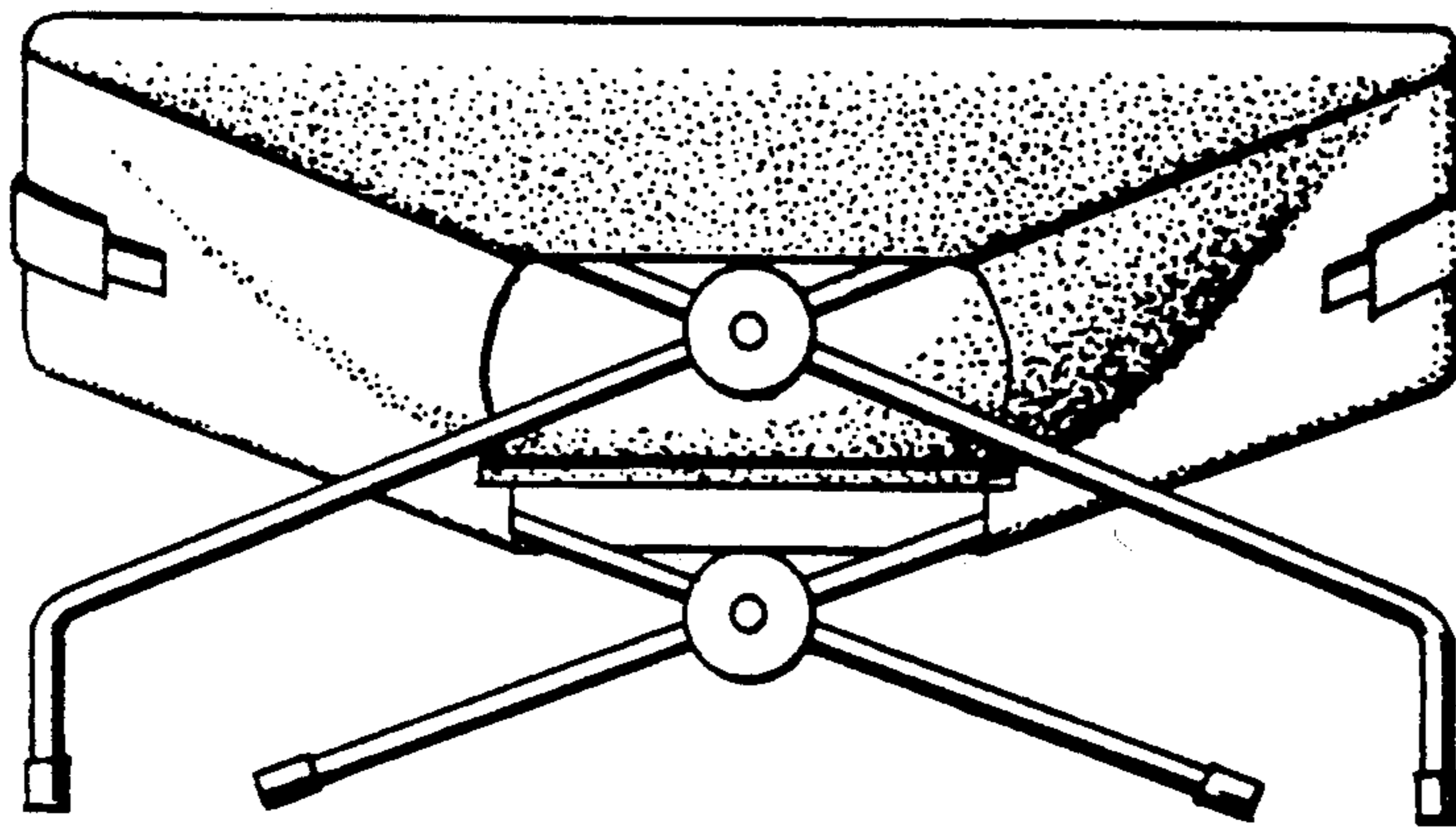


Fig. 8

