



US00D340138S

United States Patent [19]

[11] Patent Number: **Des. 340,138**

Gouldson

[45] Date of Patent: **** Oct. 12, 1993**

[54] **GARMENT HANGER**

5,127,559 7/1992 Freer et al. 223/85

[75] Inventor: **Stanley F. Gouldson, Northport, N.Y.**

FOREIGN PATENT DOCUMENTS

2069332 8/1981 United Kingdom .

[73] Assignee: **Plasti-form Enterprises, Inc., Deer Park, N.Y.**

Primary Examiner—B. J. Bullock
Attorney, Agent, or Firm—Scully, Scott, Murphy & Presser

[**] Term: **14 Years**

[57] CLAIM

[21] Appl. No.: **769,677**

The ornamental design for a garment hanger, as shown and described.

[22] Filed: **Oct. 1, 1991**

[52] U.S. Cl. **D6/326**

[58] Field of Search **D6/315, 326; 211/113; 223/91, 93, 96, 85**

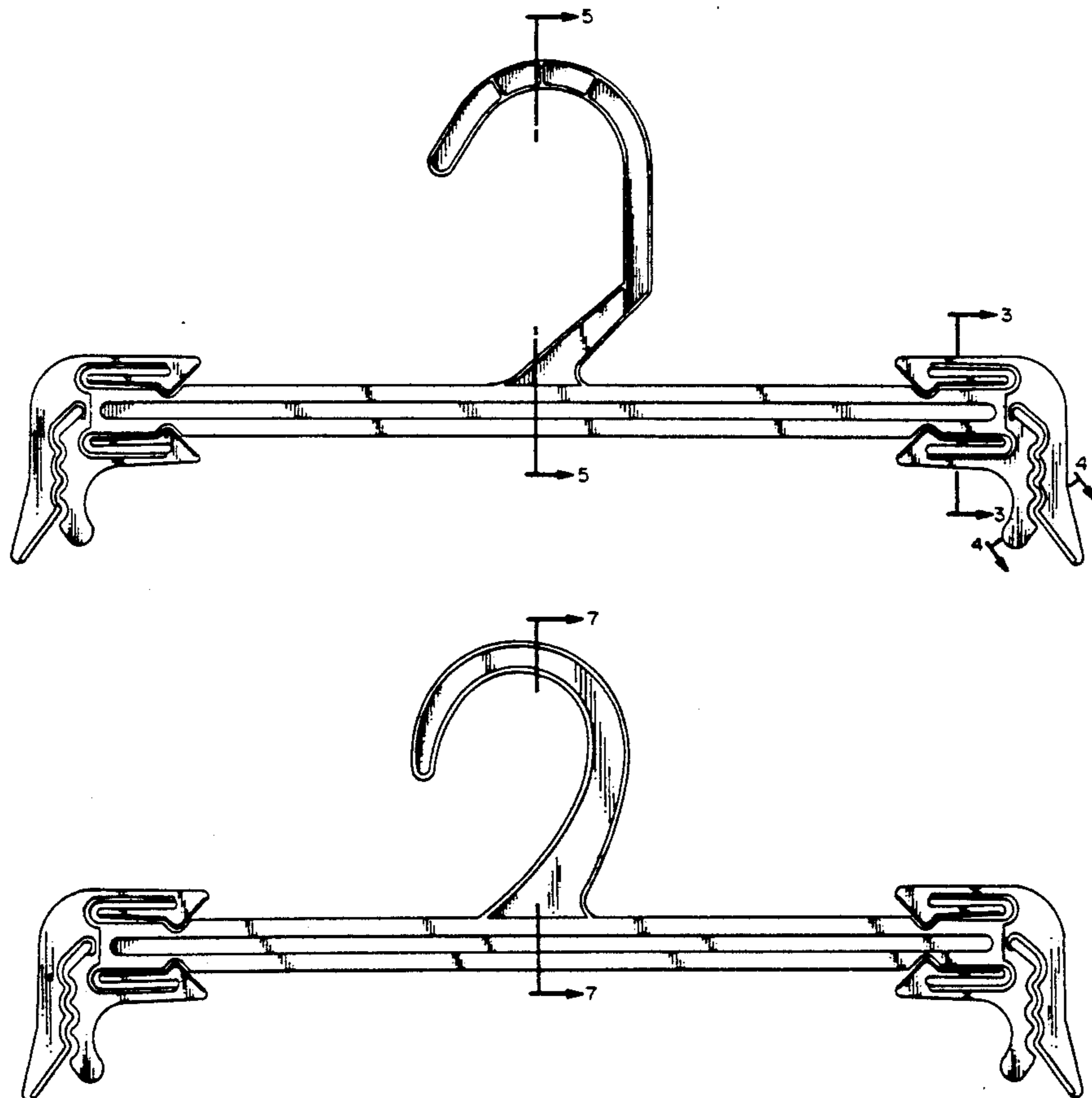
DESCRIPTION

FIG. 1 is the front elevational view of a garment hanger showing my new design;
FIG. 2 is the view of the reverse side of FIG. 1;
FIG. 3 is an enlarged sectional view taken in the direction of the arrows on line 3—3 of FIG. 1;
FIG. 4 is an enlarged sectional view taken in the direction of the arrows on line 4—4 of FIG. 1;
FIG. 5 is an enlarged sectional view taken in the direction of the arrows on line 5—5 of FIG. 1;
FIG. 6 is a front elevational view of a second embodiment of the design of FIG. 1, the only difference being the configuration of the hook; and,
FIG. 7 is an enlarged sectional view taken in the direction of the arrows on line 7—7 of FIG. 6.

[56] References Cited

U.S. PATENT DOCUMENTS

D. 205,834	2/1990	DeVito	D6/326
D. 246,817	1/1978	Mainetti .	
D. 298,184	10/1988	DeVito	D6/326
D. 324,459	3/1992	Gouldson et al.	D6/326
4,623,079	11/1986	Tendrup et al.	223/85
4,629,102	12/1986	Tendrup et al.	223/85
4,892,237	1/1990	Duester et al.	223/85
5,002,210	3/1991	Kolton et al.	223/85
5,062,556	11/1991	Willpütz	223/85
5,065,916	11/1991	Fildan	223/85



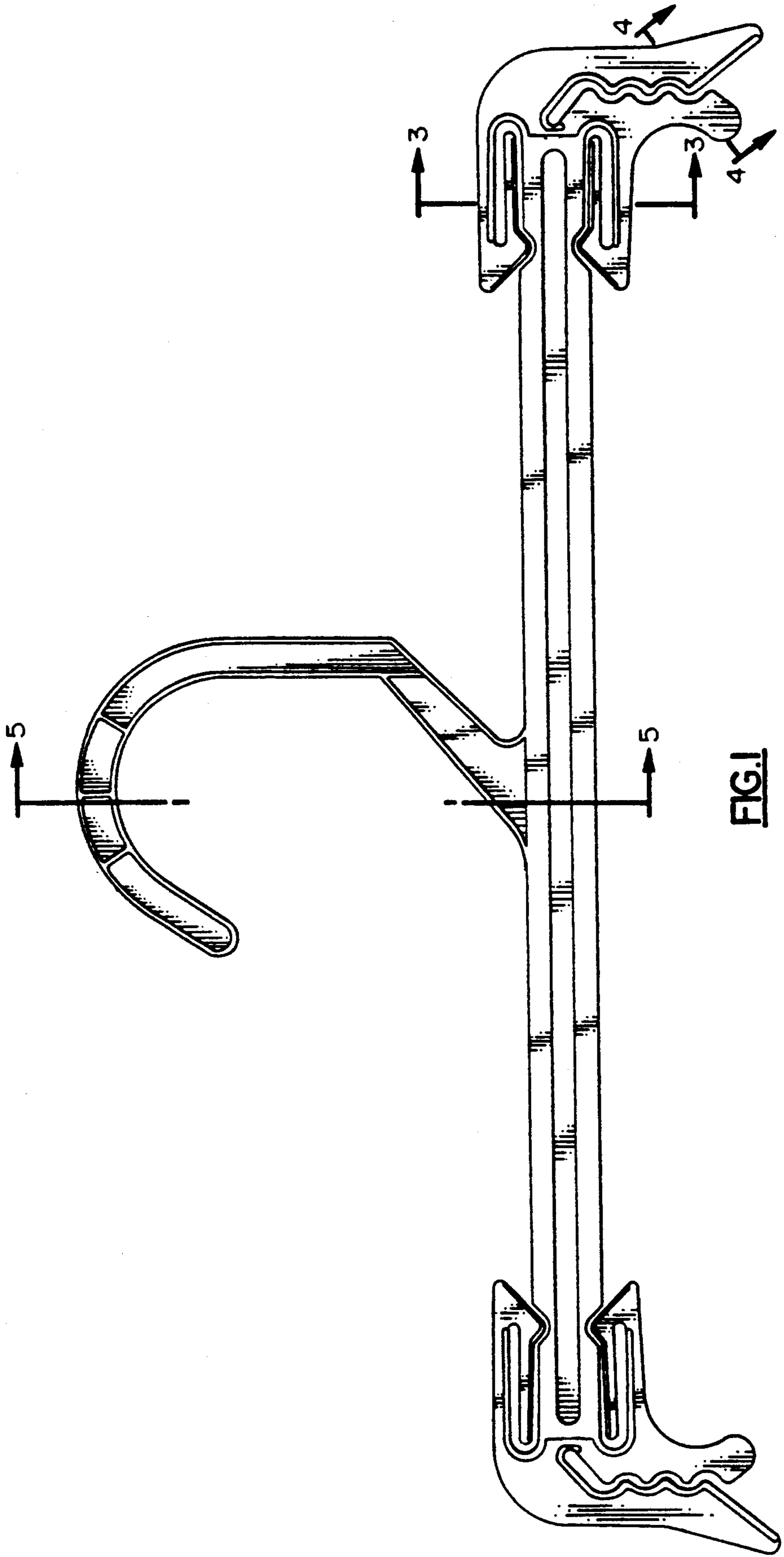


FIG. 1

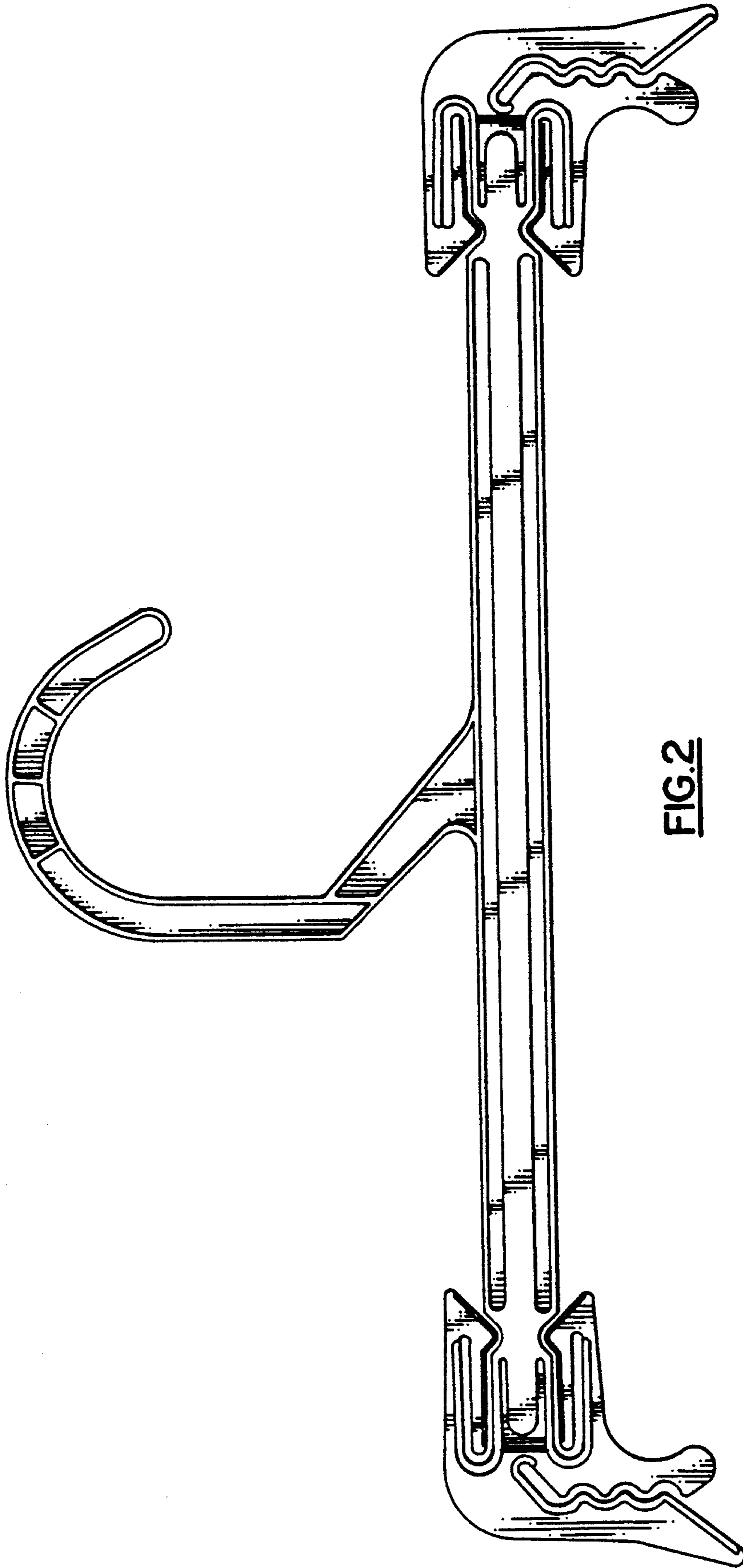


FIG.2



FIG.3



FIG.4

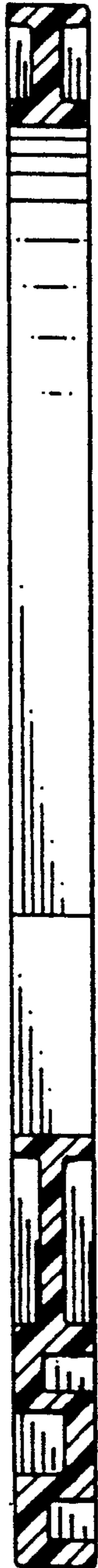


FIG.5



FIG.7

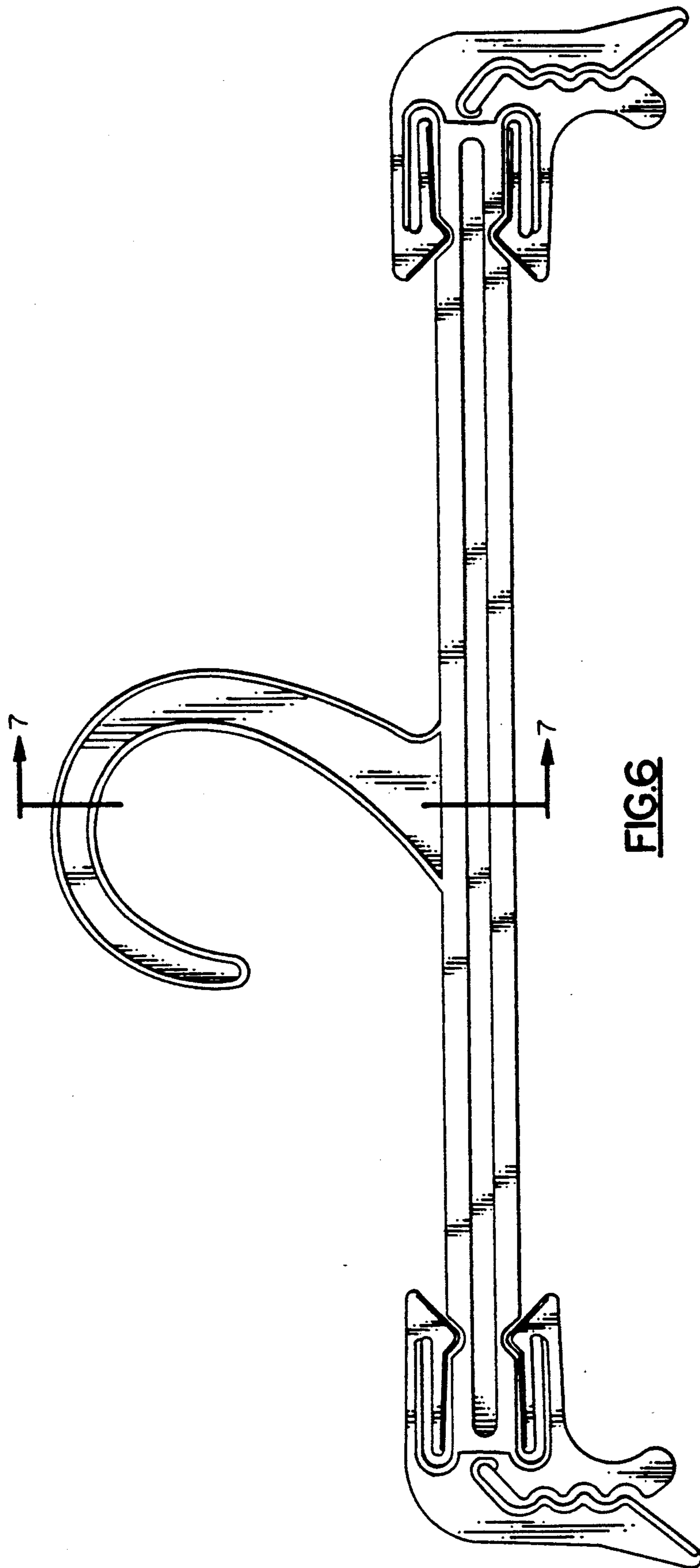


FIG. 6