



US00D340137S

United States Patent [19]

[11] Patent Number: **Des. 340,137**

Tocci

[45] Date of Patent: **** Oct. 12, 1993**

[54] GARMEN HANGER

[76] Inventor: **Richard M. Tocci, c/o Tamor Plastics Corp., 106 Carter St., Leominster, Mass. 01453**

2,011,265	8/1935	Young	223/88
2,129,871	9/1938	Reed	223/88
2,589,737	3/1952	Scott-Dagleish	211/119
2,810,500	10/1957	Wingate	223/89

[**] Term: **14 Years**

Primary Examiner—B. J. Bullock
Attorney, Agent, or Firm—Charles R. Fay

[21] Appl. No.: **566,061**

[57] **CLAIM**

[22] Filed: **Aug. 13, 1990**

The ornamental design for a garment hanger, as shown.

[52] U.S. Cl. **D6/317; D6/319**

DESCRIPTION

[58] Field of Search **D6/315, 317, 318, 319; 211/113, 119; 223/85-96**

FIG. 1 is a front elevational view of a garment hanger showing my new design;

[56] **References Cited**

U.S. PATENT DOCUMENTS

D. 269,238	6/1983	Bisk et al.	D6/317
987,416	10/1923	Tueckmantel	223/91
1,470,925	10/1923	Klein et al.	223/87
1,783,709	12/1930	Goldberg	223/88

FIG. 2 is a rear elevational view thereof;

FIG. 3 is a top plan view thereof;

FIG. 4 is a bottom plan view thereof;

FIG. 5 is a right end elevational view thereof;

FIG. 6 is a left end elevational view thereof; and,

FIG. 7 is a sectional view taken in the direction of the arrows on line 7—7 of FIG. 1.

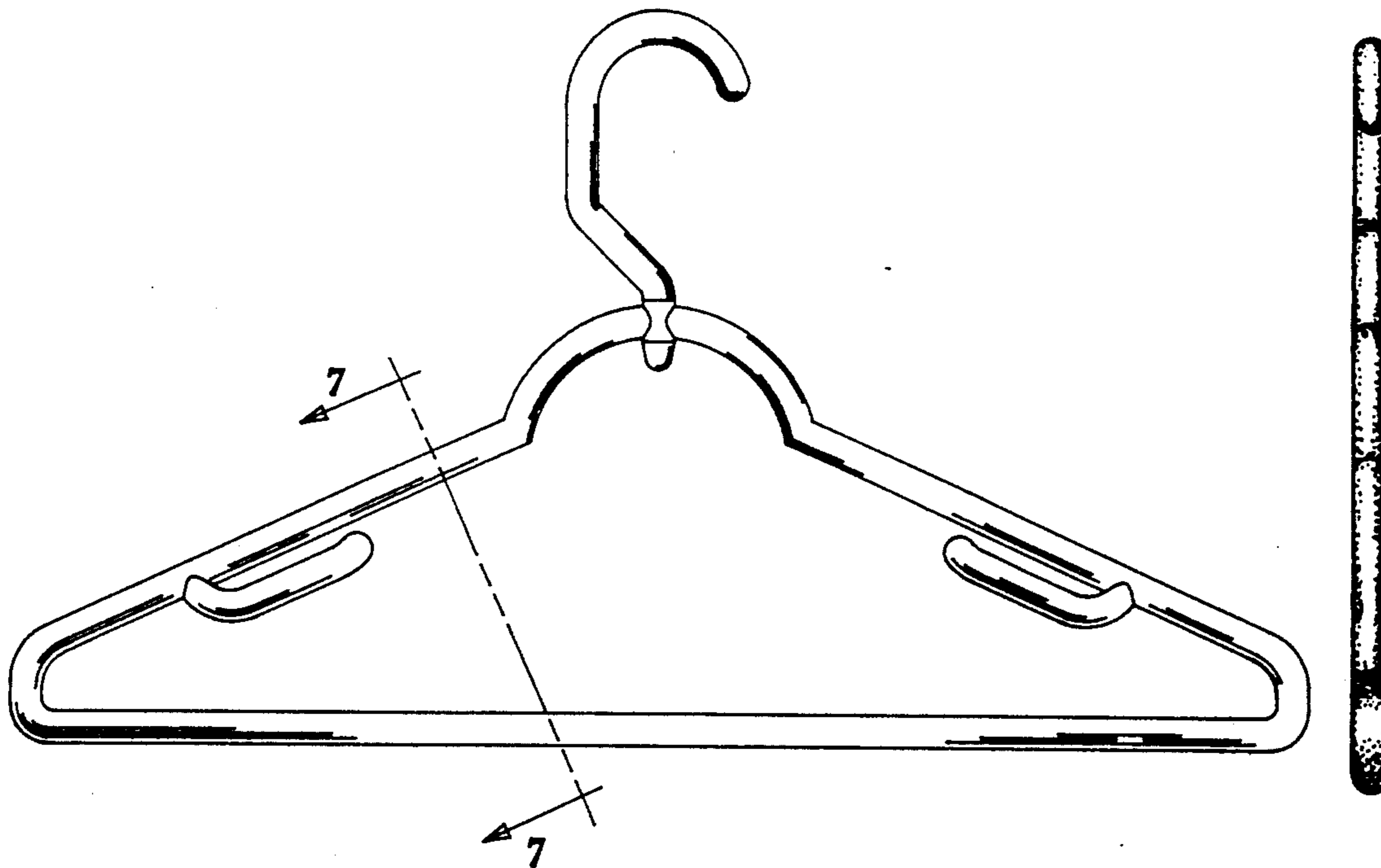


FIG .1

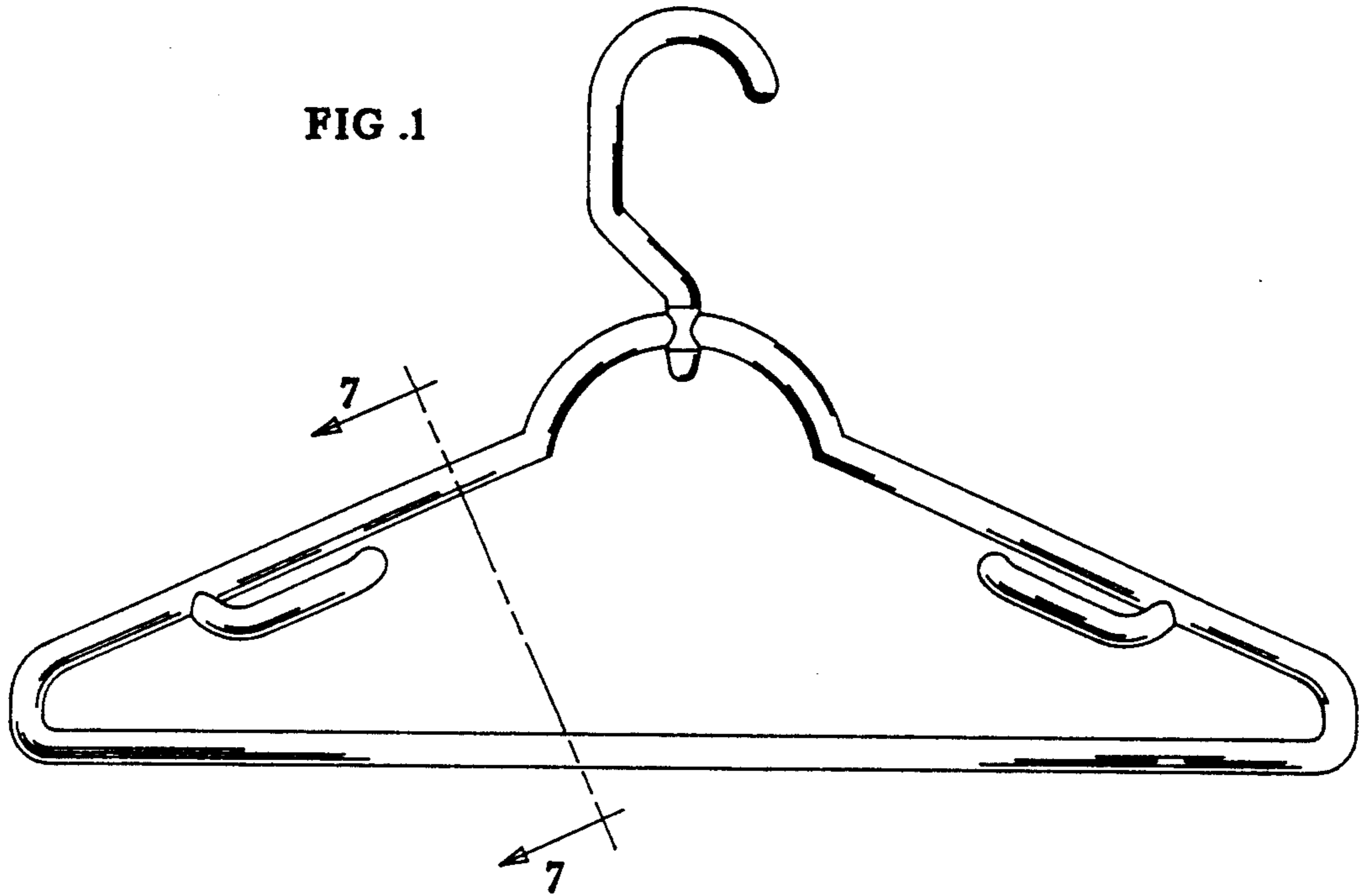


FIG .2

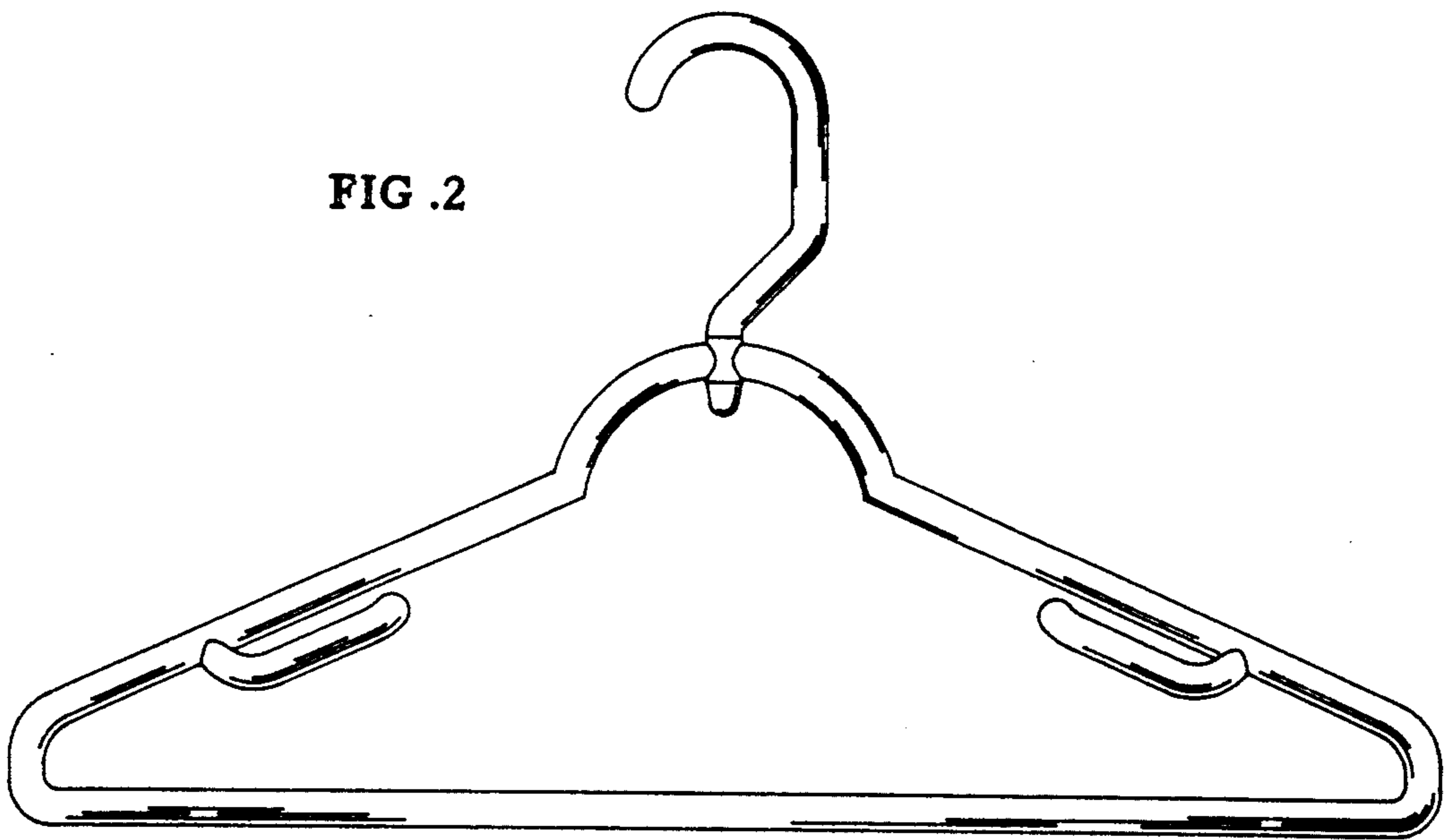


FIG .3



FIG. 4

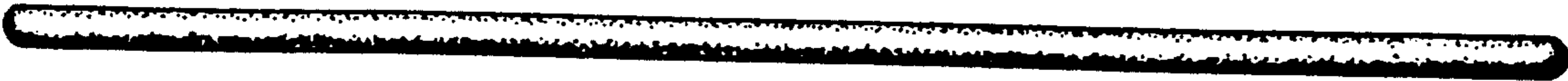


FIG. 5



FIG. 6



FIG. 7

