



US00D340136S

# United States Patent [19]

[11] Patent Number: **Des. 340,136**

Woods et al.

[45] Date of Patent: **\*\* Oct. 12, 1993**

[54] **FOUNTAIN BACK BRUSH**

3,870,419 3/1975 Sage .  
4,187,575 2/1980 Collins .  
4,845,799 7/1989 Amundson .

[76] Inventors: **Walter Woods**, 2415 Fairburn Rd. SW., Atlanta, Ga. 30331; **Miahcel Pitts**; **Gena J. Pitts**, both of 3747 Coldstream La., Duluth, Ga. 30136

*Primary Examiner*—Wallace R. Burke  
*Assistant Examiner*—Lavone D. Tabor  
*Attorney, Agent, or Firm*—Terry M. Gernstein

[\*\*] Term: **14 Years**

[57] **CLAIM**

[21] Appl. No.: **654,568**

The ornamental design for a fountain back brush, as shown and described.

[22] Filed: **Feb. 12, 1991**

[52] U.S. Cl. .... **D4/114; D4/134**

[58] Field of Search ..... **D4/114, 116, 132, 134, D4/136, 138; D28/63; 15/104.92, 143.1, 159.1, 160; 401/136-138, 268, 270-271, 279, 286**

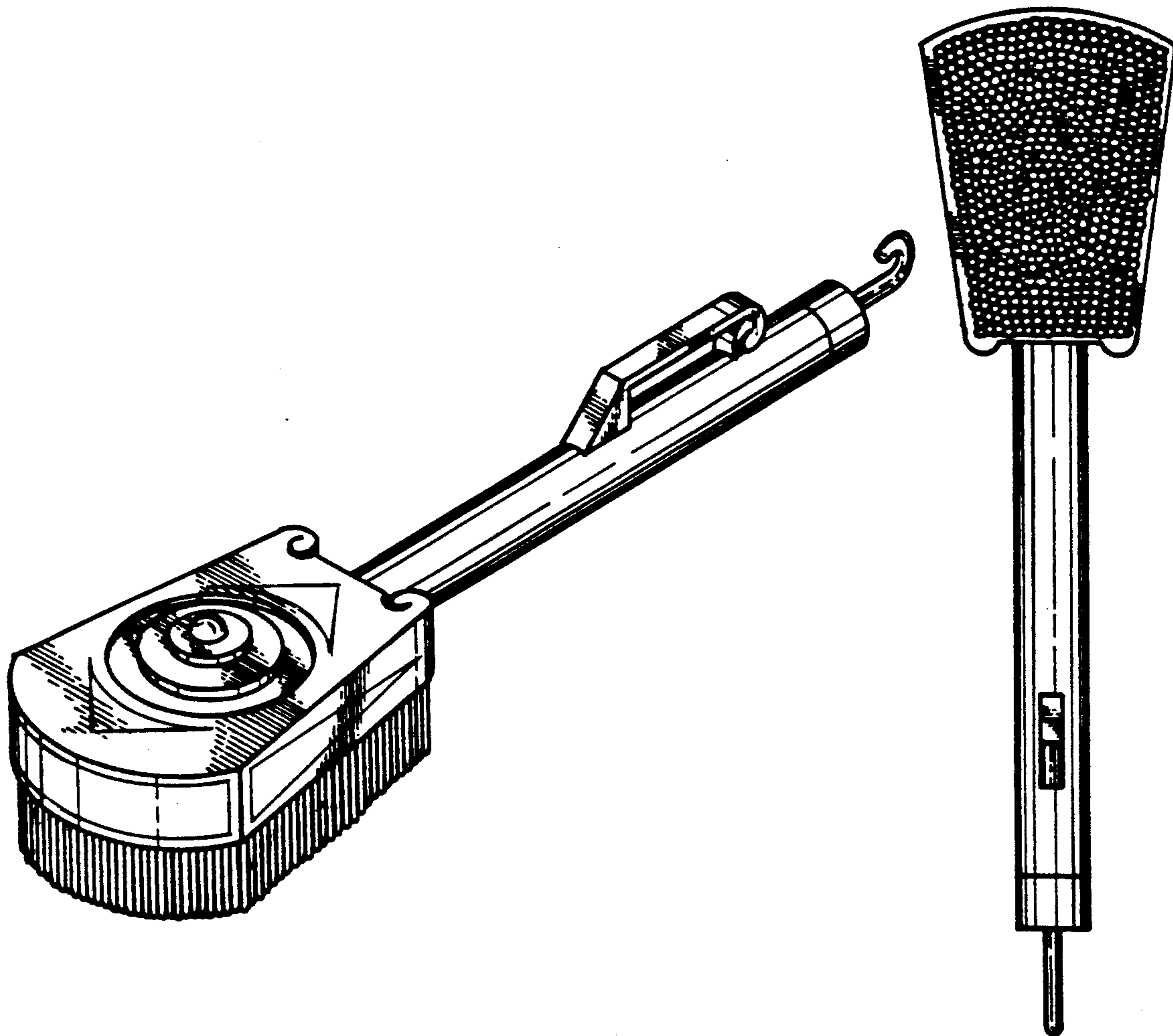
### DESCRIPTION

### [56] References Cited

#### U.S. PATENT DOCUMENTS

D. 284,607 7/1986 Muller ..... D28/63  
1,812,457 6/1931 Tavalin ..... 401/288

FIG. 1 is a perspective view of a fountain back brush embodying the design of the present invention; FIG. 2 is a end front elevational view thereof; FIG. 3 is a rear end elevational view thereof; FIG. 4 is a side elevational view thereof, the side opposite being a mirror image of the side shown in FIG. 4; FIG. 5 is a top plan view thereof; and, FIG. 6 is a bottom view thereof.



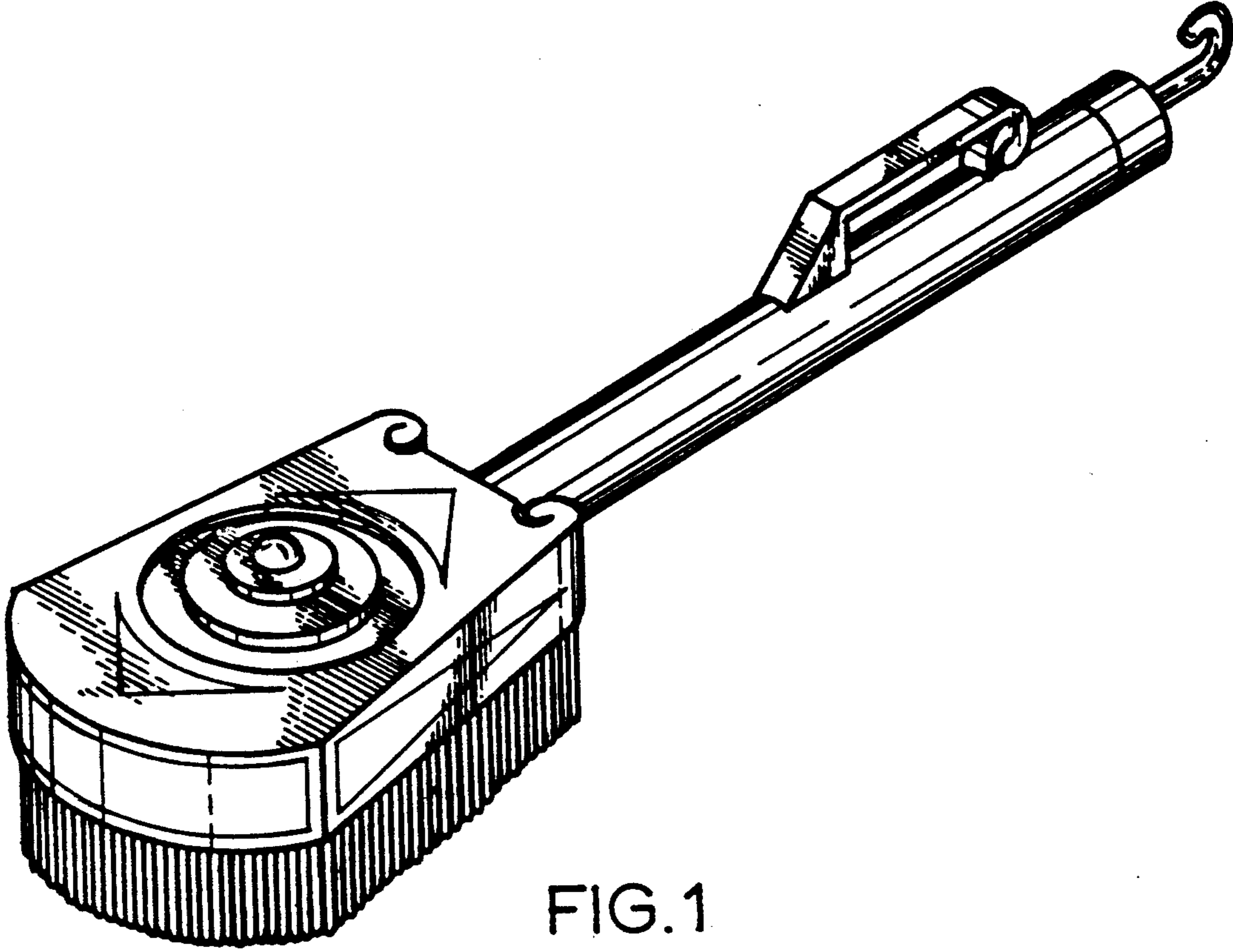


FIG. 1

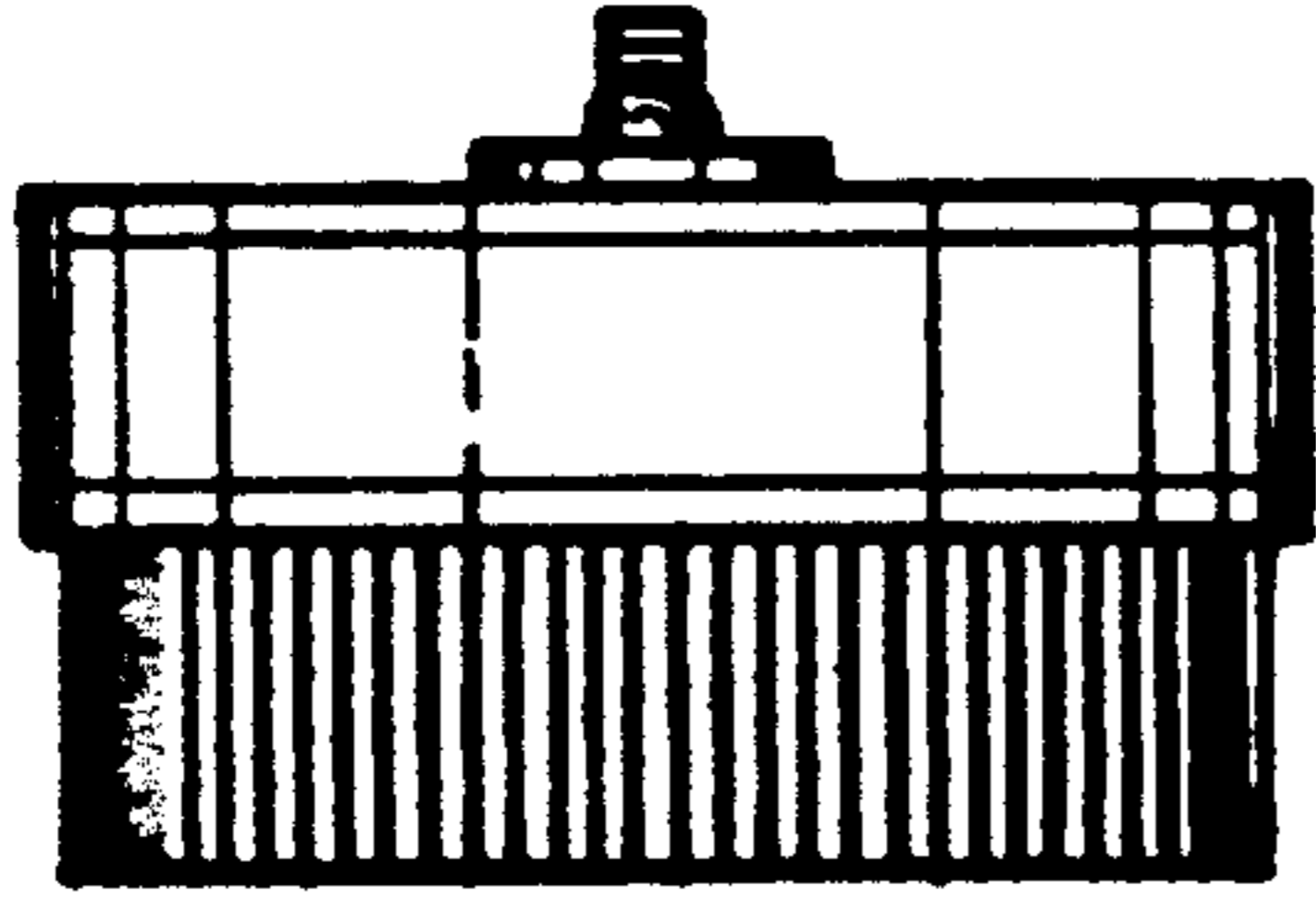


FIG. 2

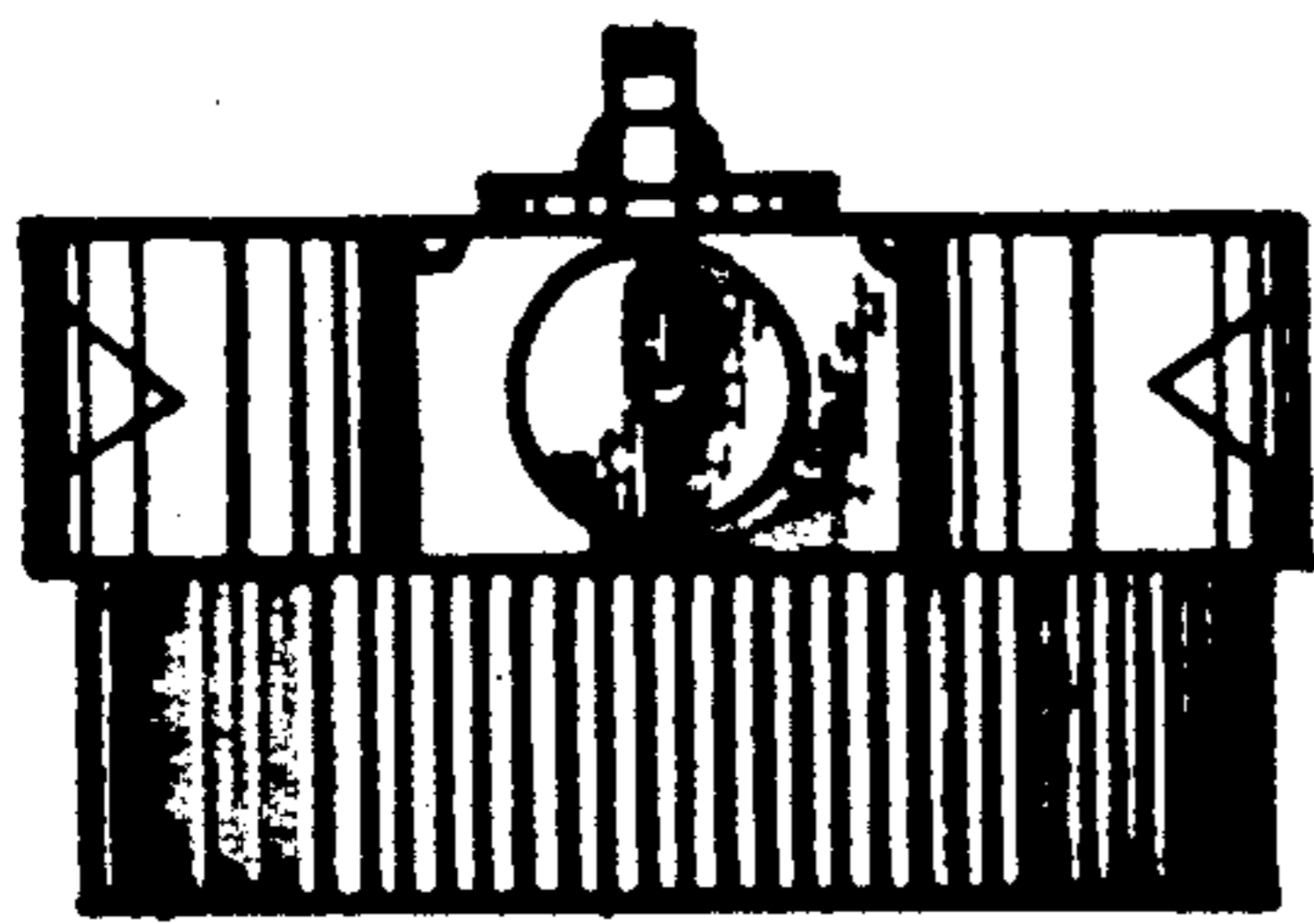


FIG. 3

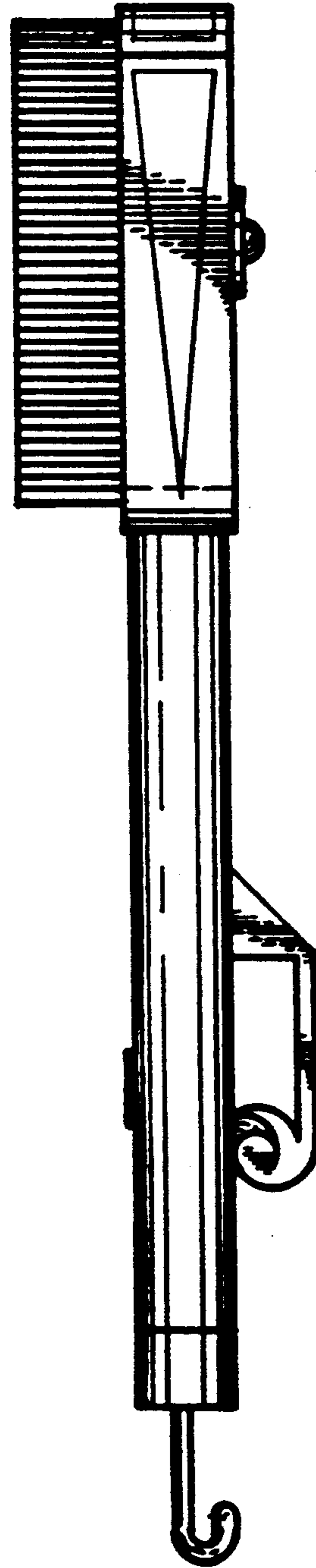


FIG. 4

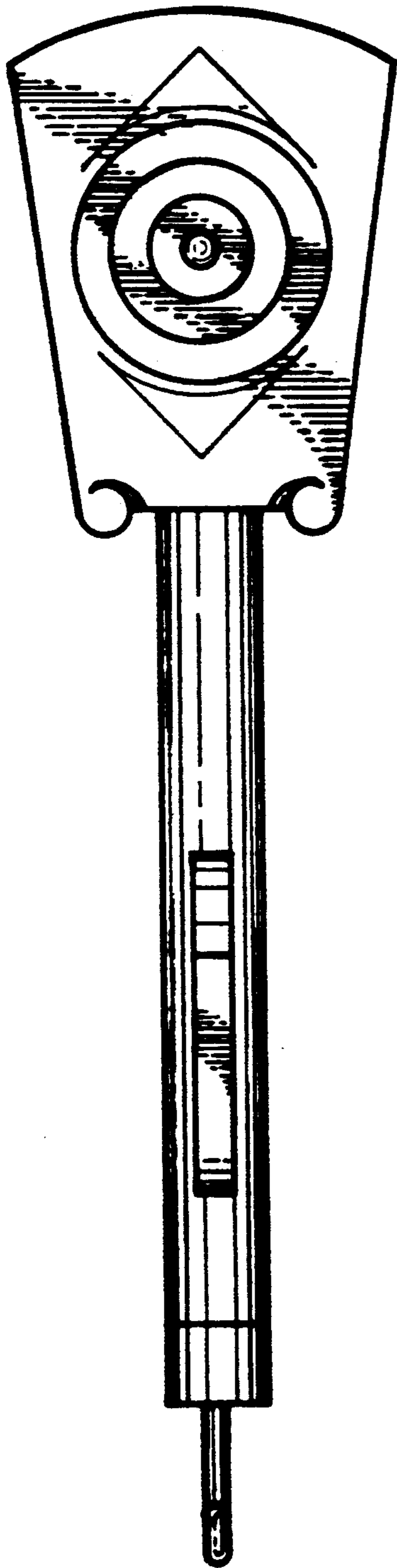


FIG. 5

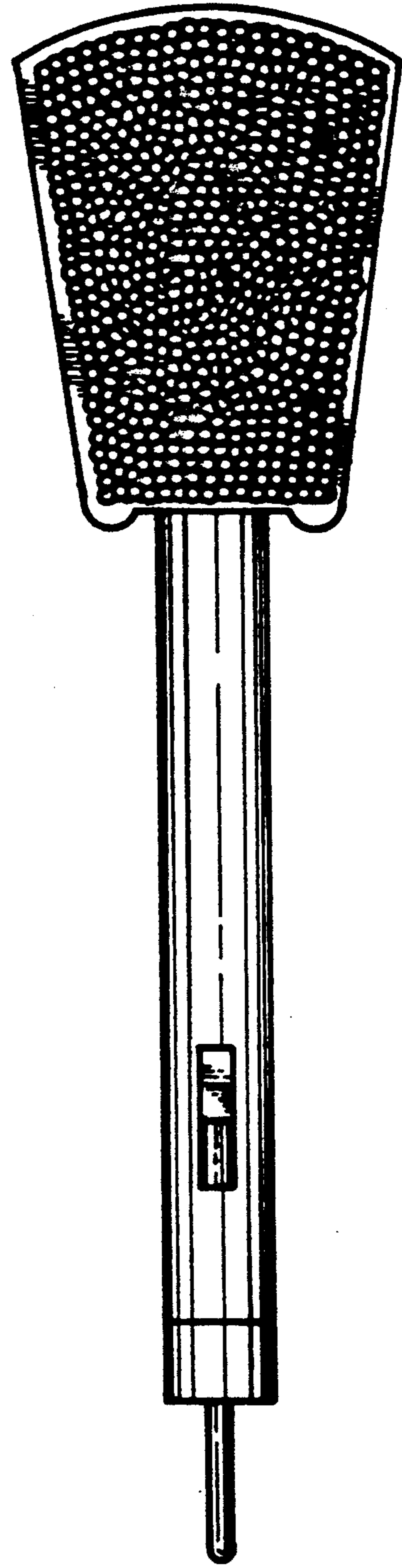


FIG. 6