



US00D340135S

# United States Patent [19]

[11] Patent Number: **Des. 340,135**

**Olson**

[45] Date of Patent: **\*\* Oct. 12, 1993**

[54] **STORAGE CONTAINER**

[75] Inventor: **Todd J. Olson, Loveland, Ohio**

[73] Assignee: **Fisher-Price, Inc., East Aurora, N.Y.**

[\*\*] Term: **14 Years**

[21] Appl. No.: **672,609**

[22] Filed: **Mar. 20, 1991**

[52] U.S. Cl. .... **D3/73; D3/74; D3/30.1**

[58] **Field of Search** ..... **D9/424, 417, 418, 416, D9/414, 415, 420; D34/1, 8, 46; D3/30.1, 82, 73, 74, 78; 206/207, 206, 229, 230, 349, 382, 508; 220/4.28, 9.2, 9.3, 9.1, 534, 541, 544, 558, 500, 522, 528; D6/445, 475, 446, 476; 232/43.1, 43.2**

2,368,349	1/1945	Cornish	.....	220/544
3,276,847	10/1966	Duff et al.	.....	206/229 X
4,479,577	10/1984	Eichner et al.	.....	220/522 X
5,038,937	8/1991	Disesa, Jr.	.....	206/508 X

*Primary Examiner—Bernard Ansher*  
*Assistant Examiner—Prabhakar Deshmukh*  
*Attorney, Agent, or Firm—Howrey & Simon*

[57] **CLAIM**

The ornamental design for a storage container, as shown and described.

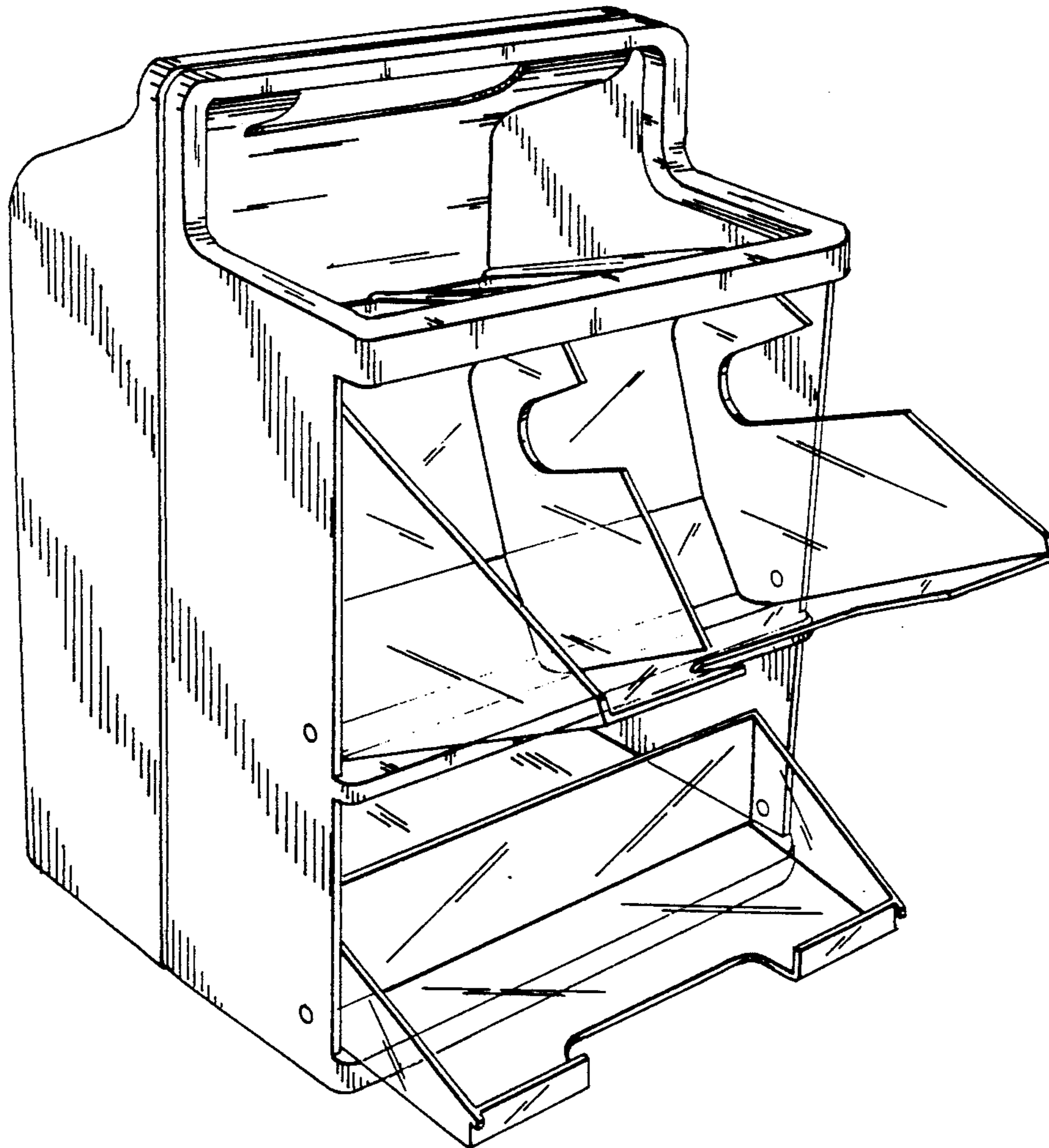
**DESCRIPTION**

FIG. 1 is a front elevational view of a storage container showing my new design;  
FIG. 2 is a top plan view thereof;  
FIG. 3 is a right side elevational view, the left side being a mirror image thereof;  
FIG. 4 is a rear elevational view thereof;  
FIG. 5 is a bottom plan view thereof; and,  
FIG. 6 is a left side front perspective view with two bins in their open positions.

[56] **References Cited**

**U.S. PATENT DOCUMENTS**

D. 233,179 10/1974 Sias ..... D3/73 X  
D. 325,478 4/1992 Ward ..... D6/446



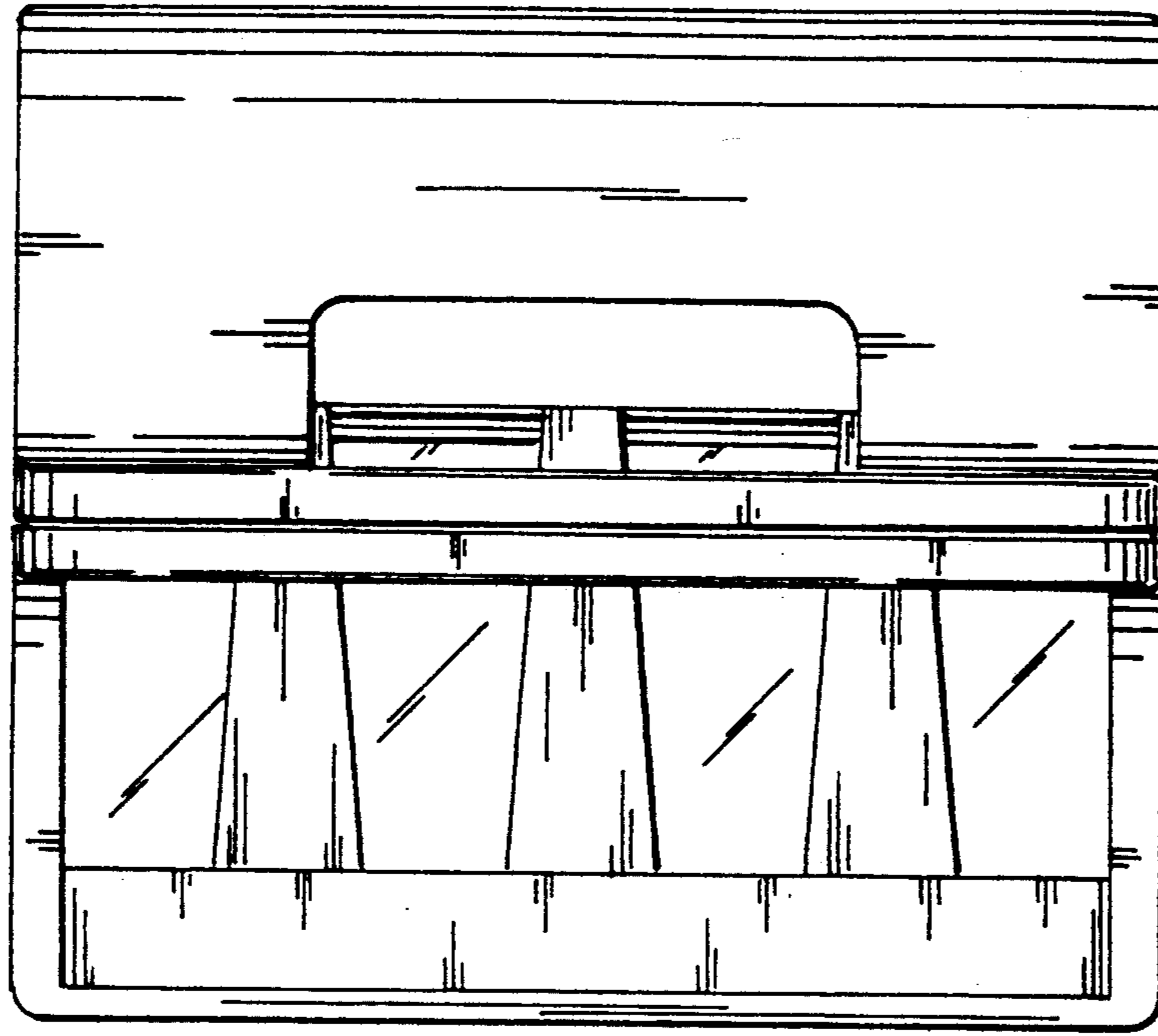


FIG. 2

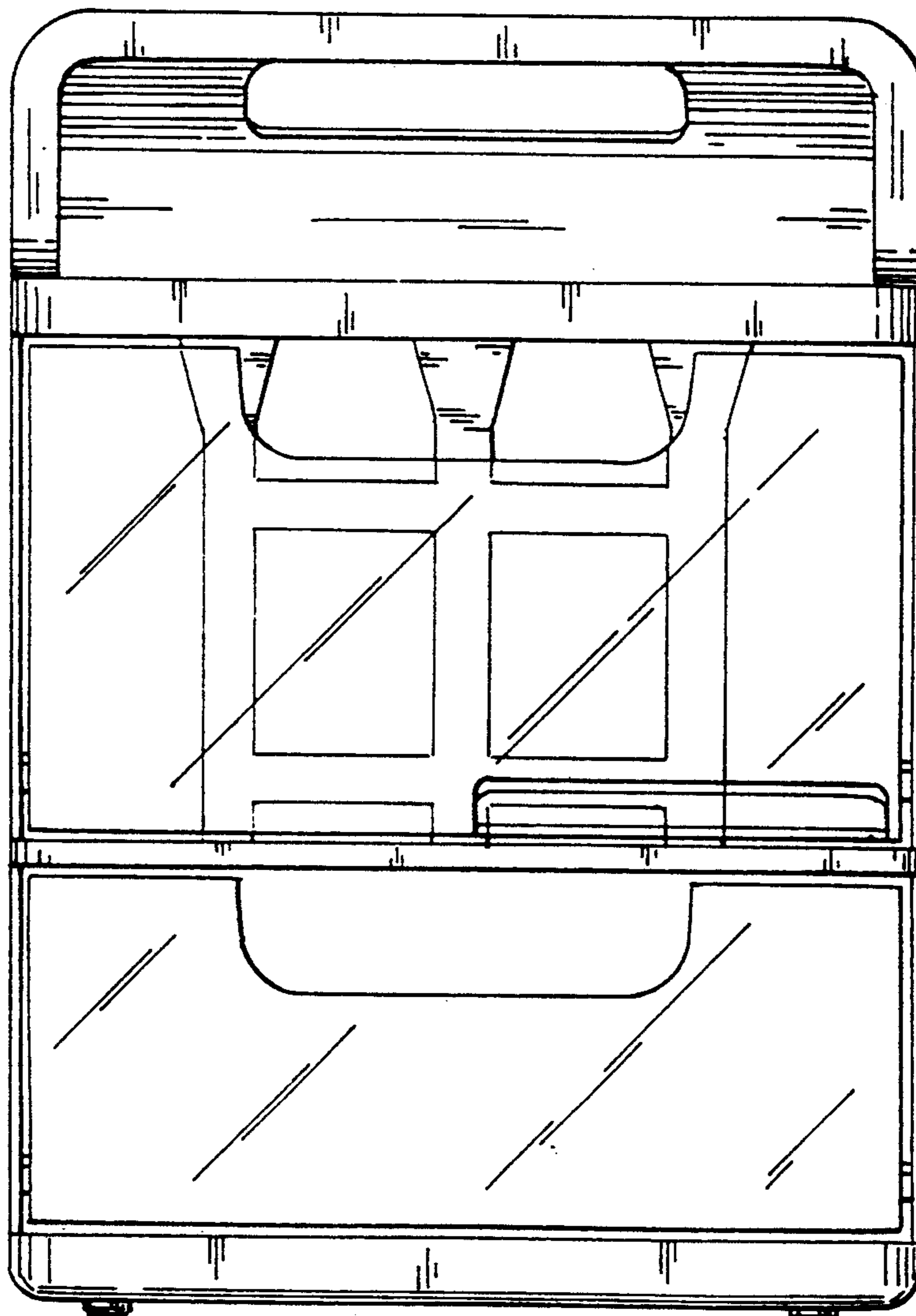


FIG. 1

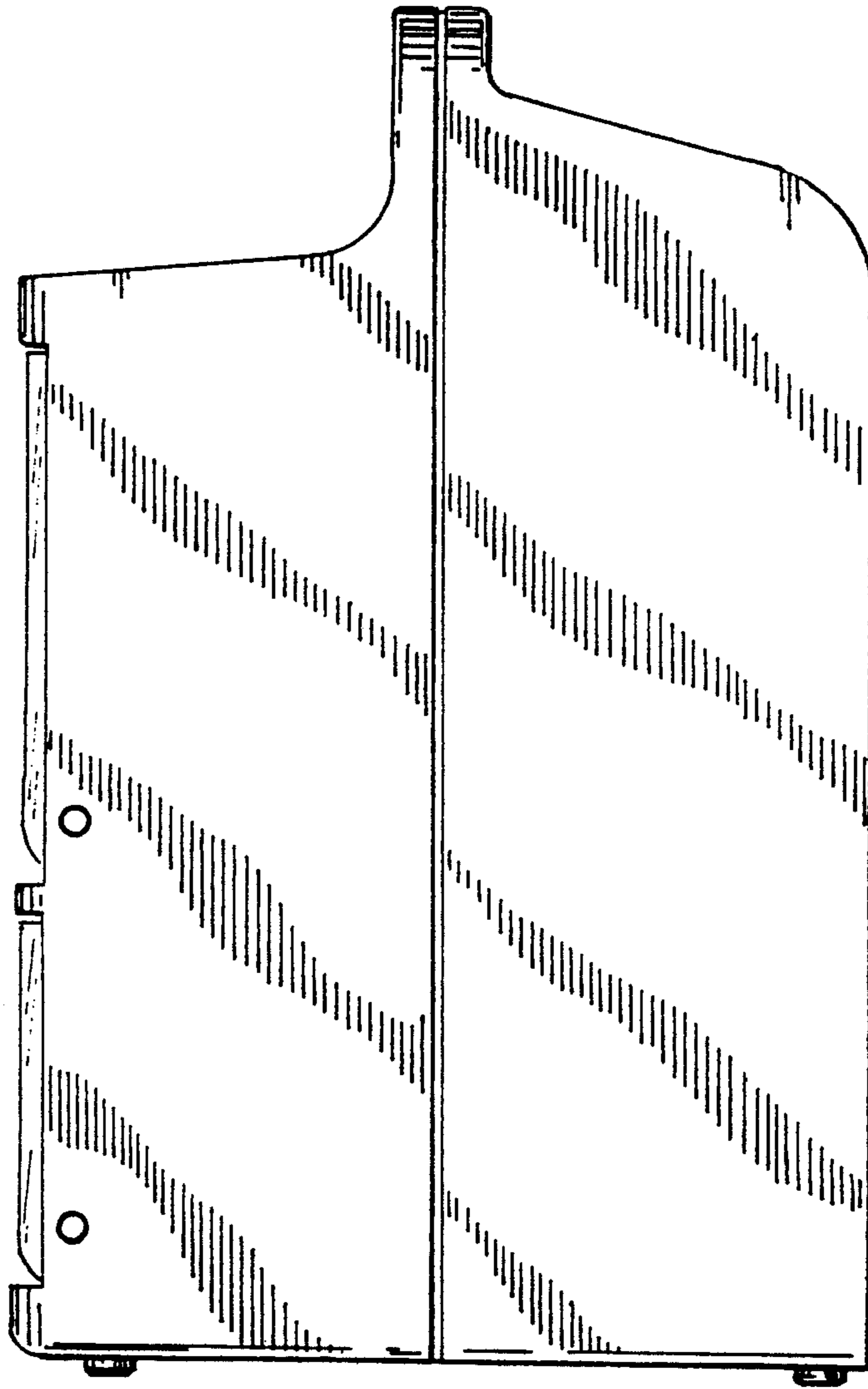


FIG. 3

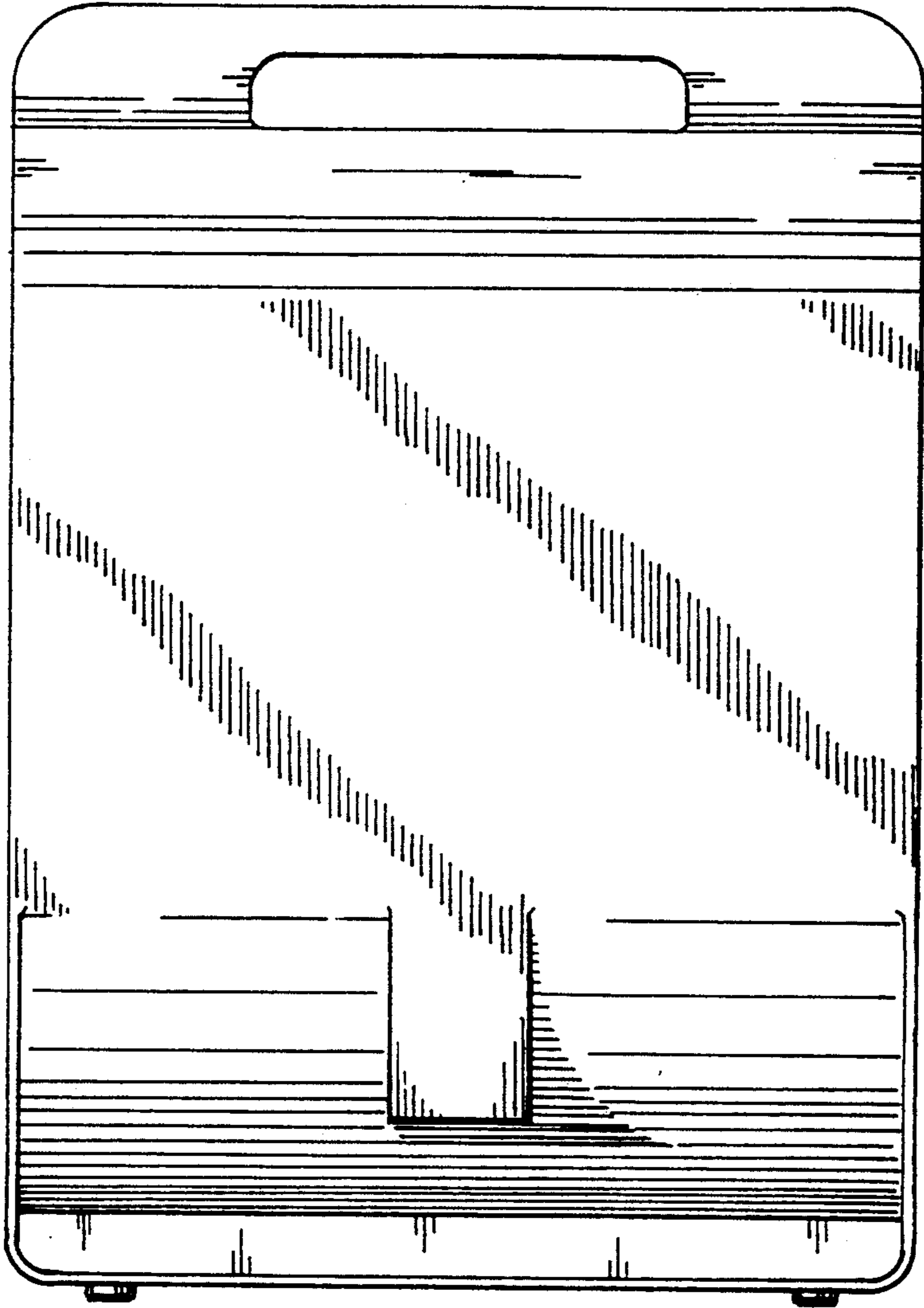


FIG. 4

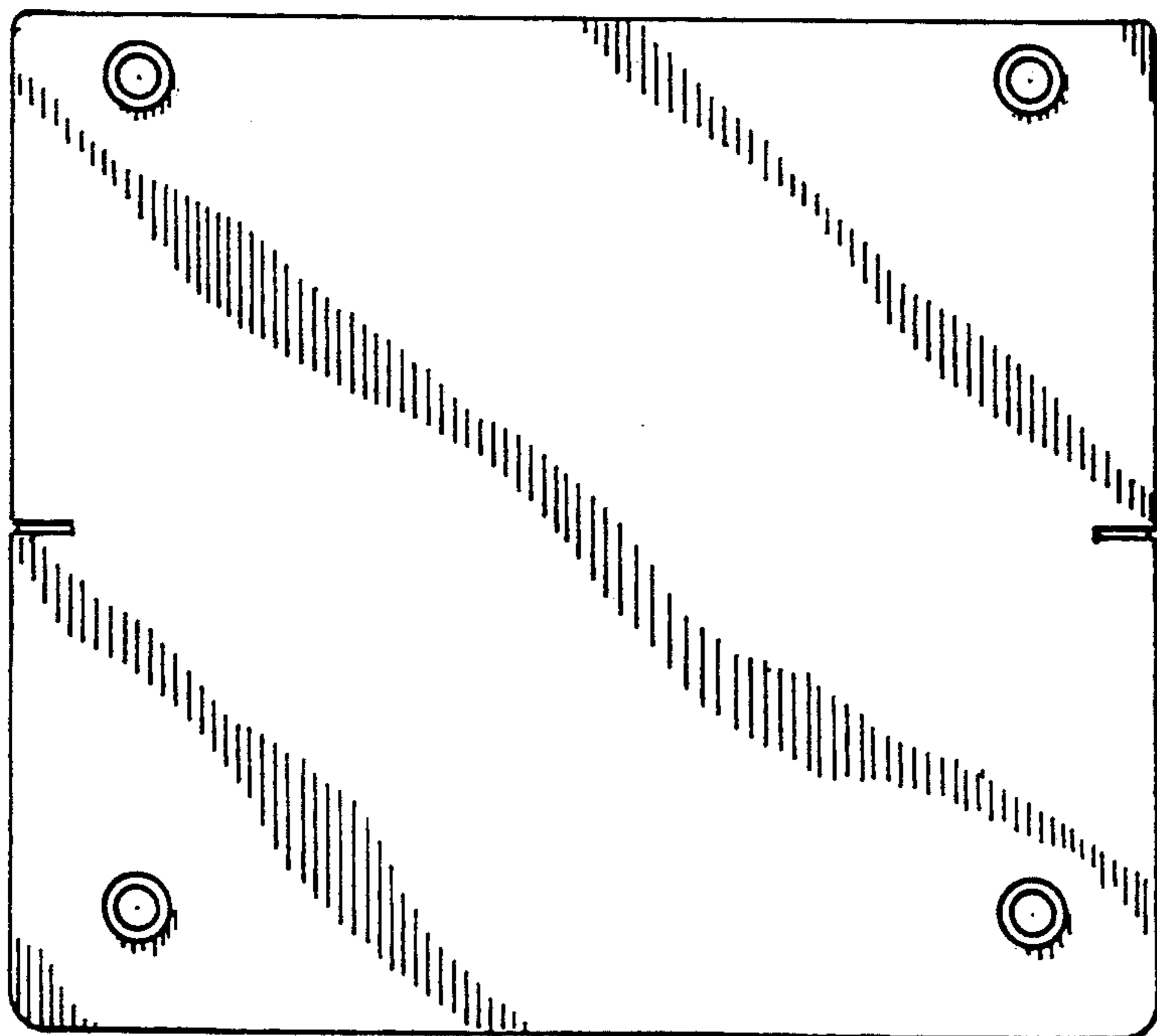


FIG. 5

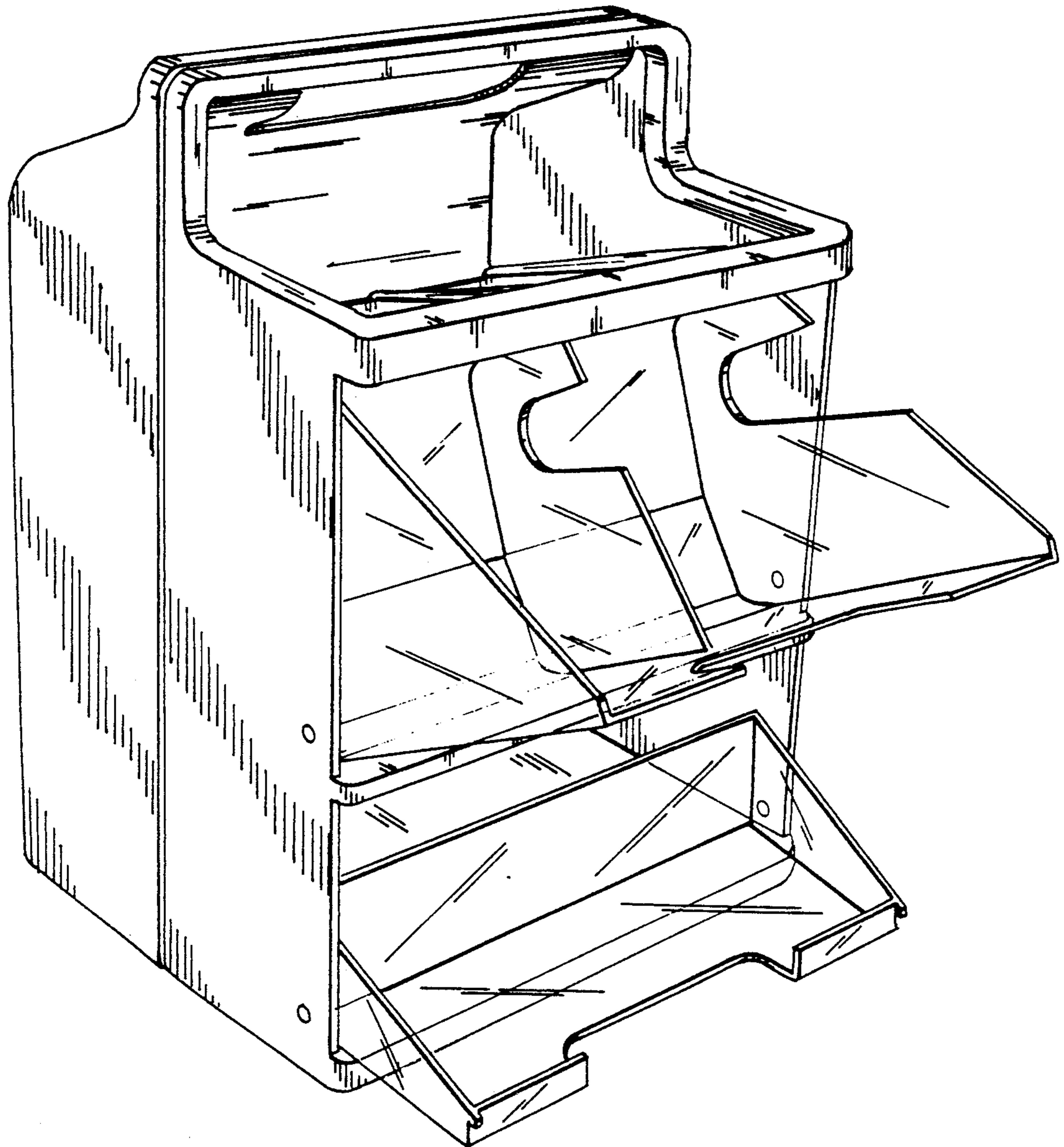


FIG. 6