



US00D340133S

# United States Patent [19]

[11] Patent Number: **Des. 340,133**

Hayes-Pankhurst et al.

[45] Date of Patent: **\*\* Oct. 12, 1993**

[54] **CASE FOR FILING PAPERS**

[75] Inventors: **Richard P. Hayes-Pankhurst; Paul J. Fearis**, both of London, United Kingdom

[73] Assignee: **I.P. Innovations Ltd.**, London, England

[\*\*] Term: **14 Years**

[21] Appl. No.: **731,082**

[22] Filed: **Jul. 17, 1991**

[30] **Foreign Application Priority Data**

Jan. 18, 1991 [GB] United Kingdom ..... 2012414

[52] U.S. Cl. .... **D3/76**

[58] Field of Search ..... **D3/76, 74, 73, 78; D19/20, 26, 27; 206/387, 305, 216; 402/80 R, 502.13; 190/109, 108, 113, 114, 115, 112, 119, 118, 100, 18 R, 117, 902**

[56] **References Cited**

**U.S. PATENT DOCUMENTS**

- D. 224,177 7/1972 Wallace ..... D3/76 X
- D. 242,879 12/1976 Schurman ..... D3/76 X
- D. 293,583 1/1988 Dunlap ..... D3/30.1 X
- D. 328,527 8/1992 Marcus ..... D3/74

- 2,523,724 9/1950 Satz ..... D3/71 X
- 3,294,222 12/1966 Hodgson ..... D3/74 X
- 4,518,275 5/1985 Rauch, III et al. .... D19/27 X
- 4,837,590 6/1989 Sprague ..... D3/76 X
- 5,069,567 12/1991 Fink et al. .... 402/80 R X
- 5,074,413 12/1991 Ikuta et al. .... 190/115 X

*Primary Examiner*—Melvin B. Feifer  
*Assistant Examiner*—Paula Mortimor  
*Attorney, Agent, or Firm*—Shoemaker and Mattare, Ltd.

[57] **CLAIM**

The ornamental design for a case for filing papers, as shown and described.

**DESCRIPTION**

FIG. 1 is a front elevational view of a case for filing papers showing our new design;  
 FIG. 2 is a top plan view thereof;  
 FIG. 3 is a rear elevational view thereof;  
 FIG. 4 is a side elevational view thereof, the opposite side being a mirror image;  
 FIG. 5 is a perspective view of the case in an open position;  
 FIG. 6 is a perspective view of FIG. 5, with the clips removed; and,  
 FIG. 7 is a sectional view taken along line 7—7 of FIG. 2.

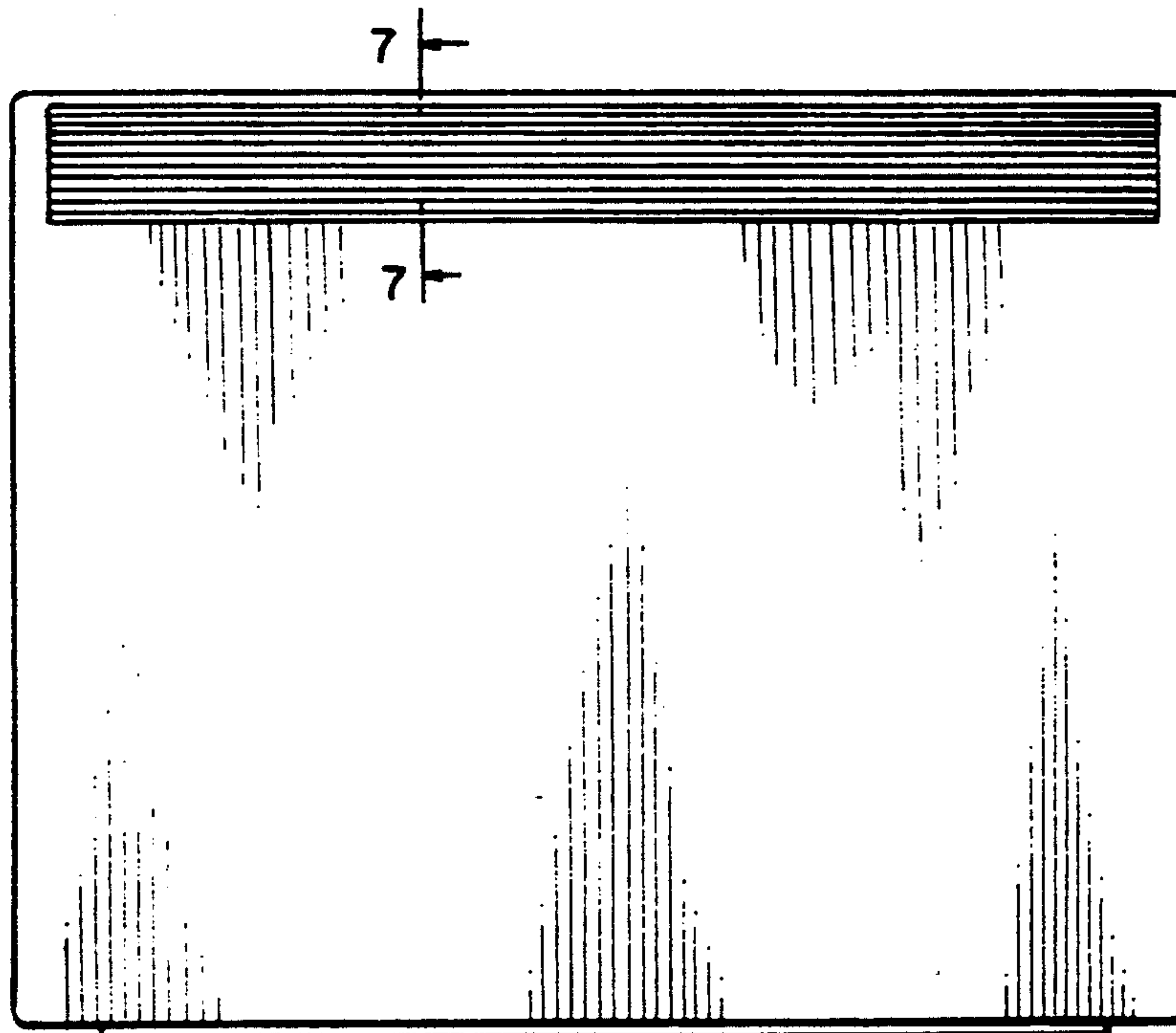




FIG. 1.

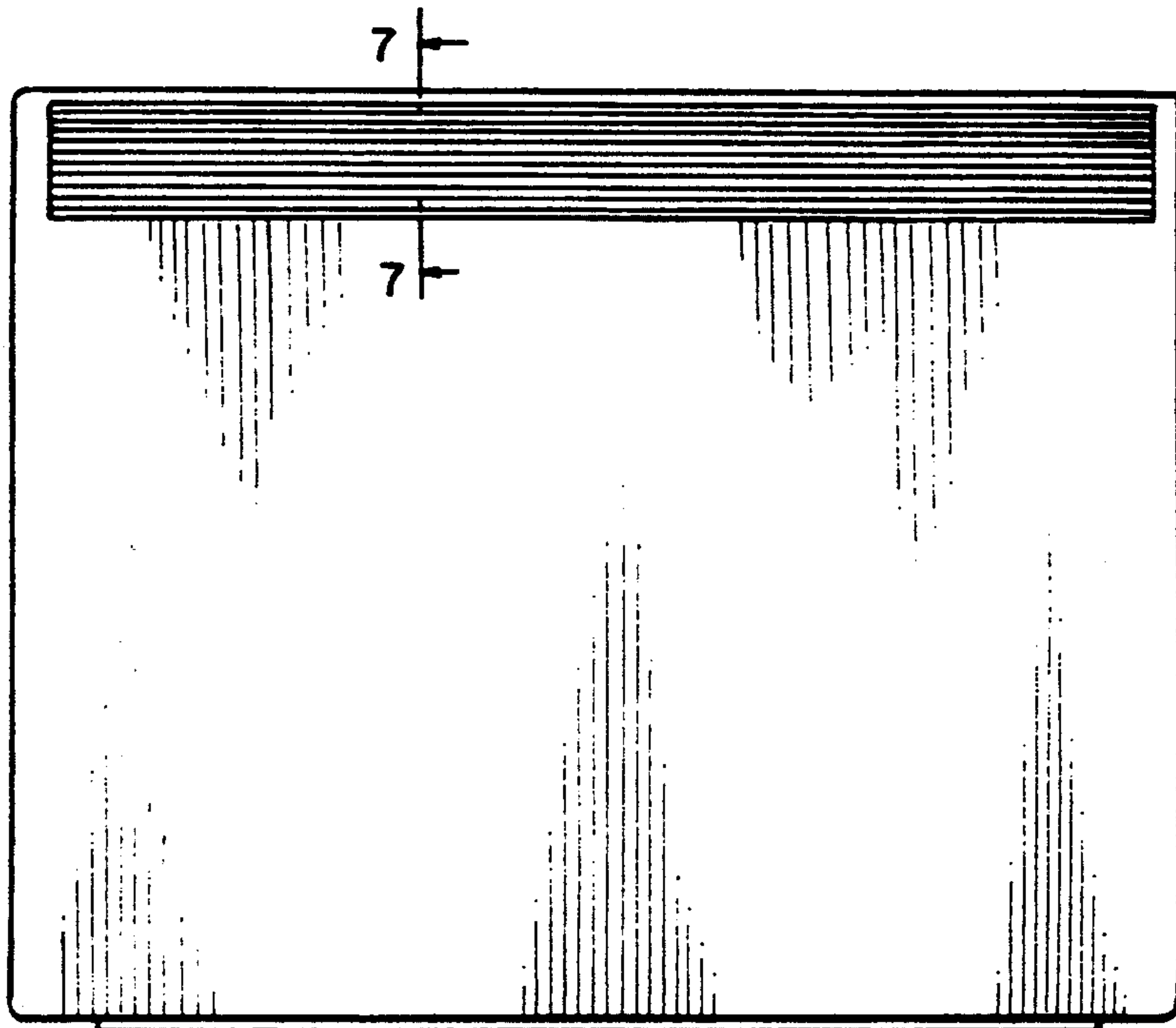


FIG. 2.

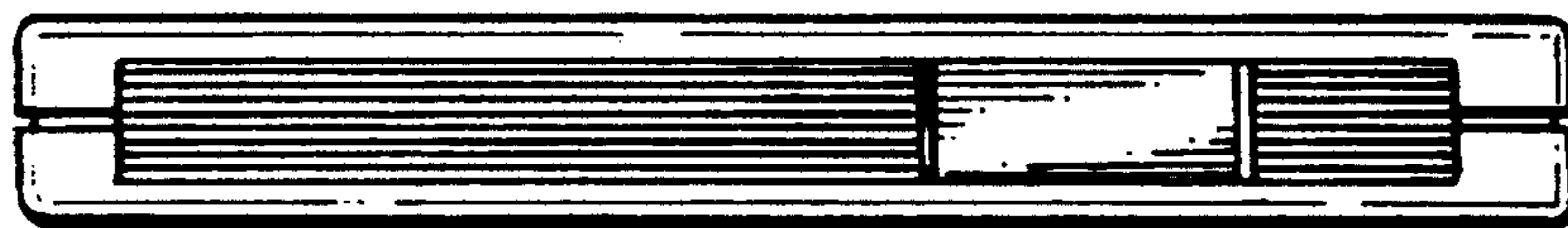


FIG. 3.

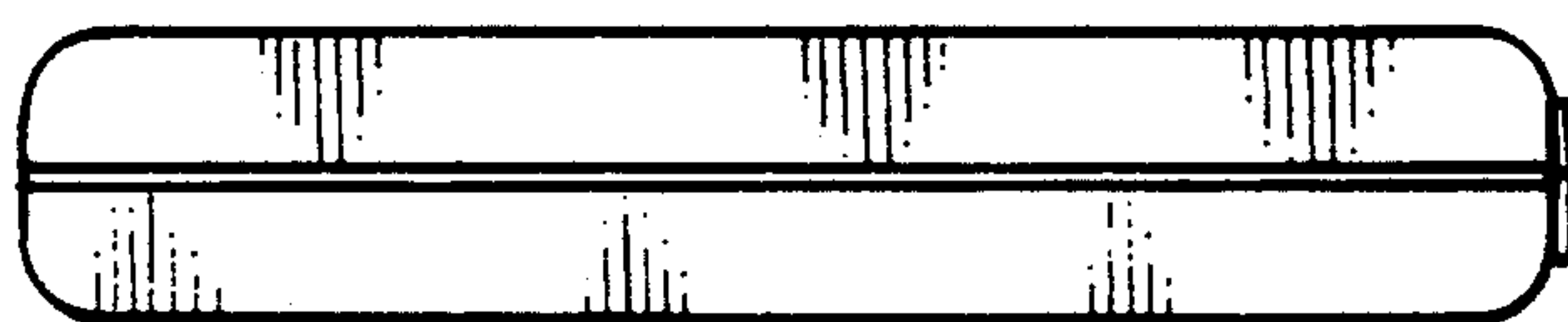


FIG. 4.

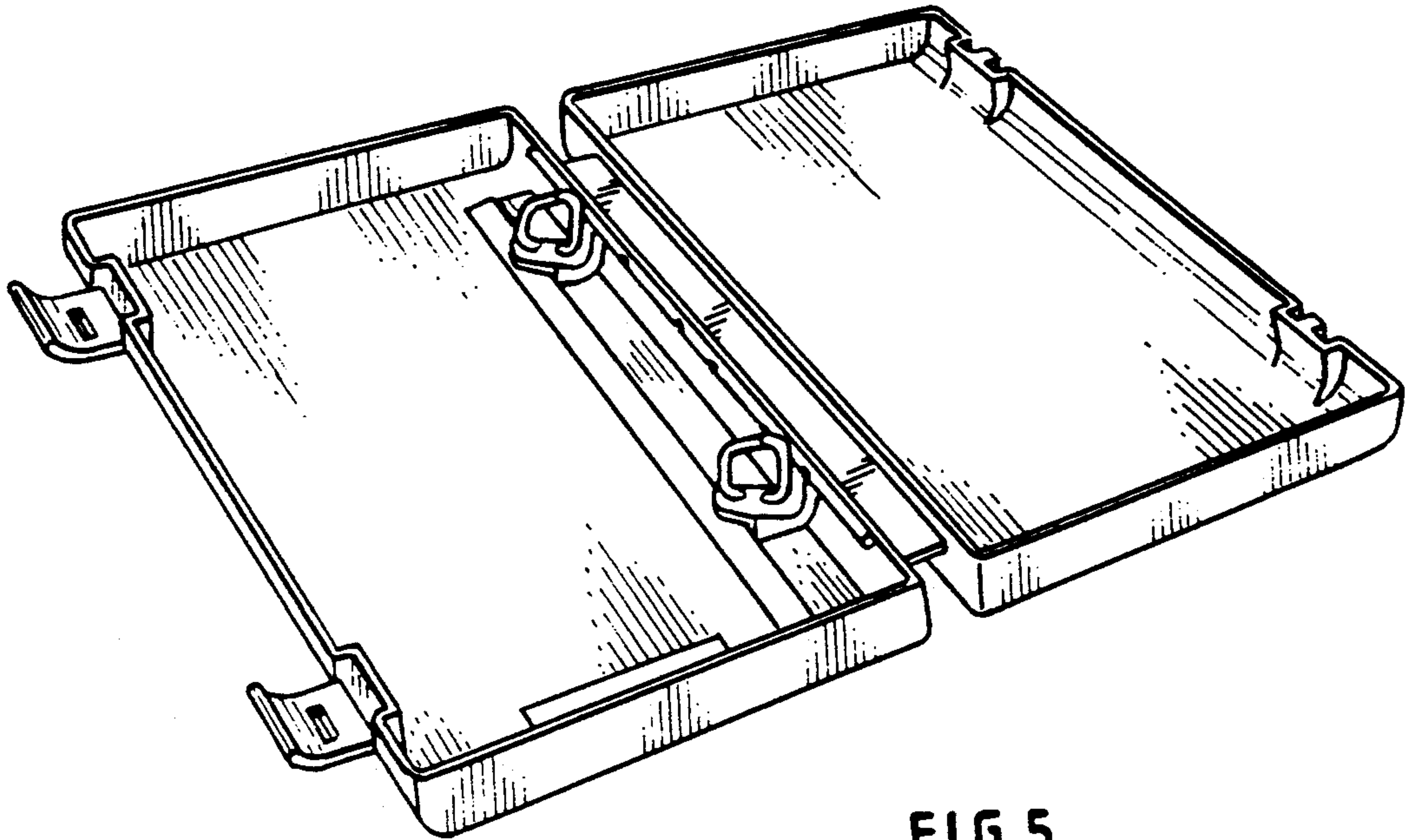


FIG. 5.

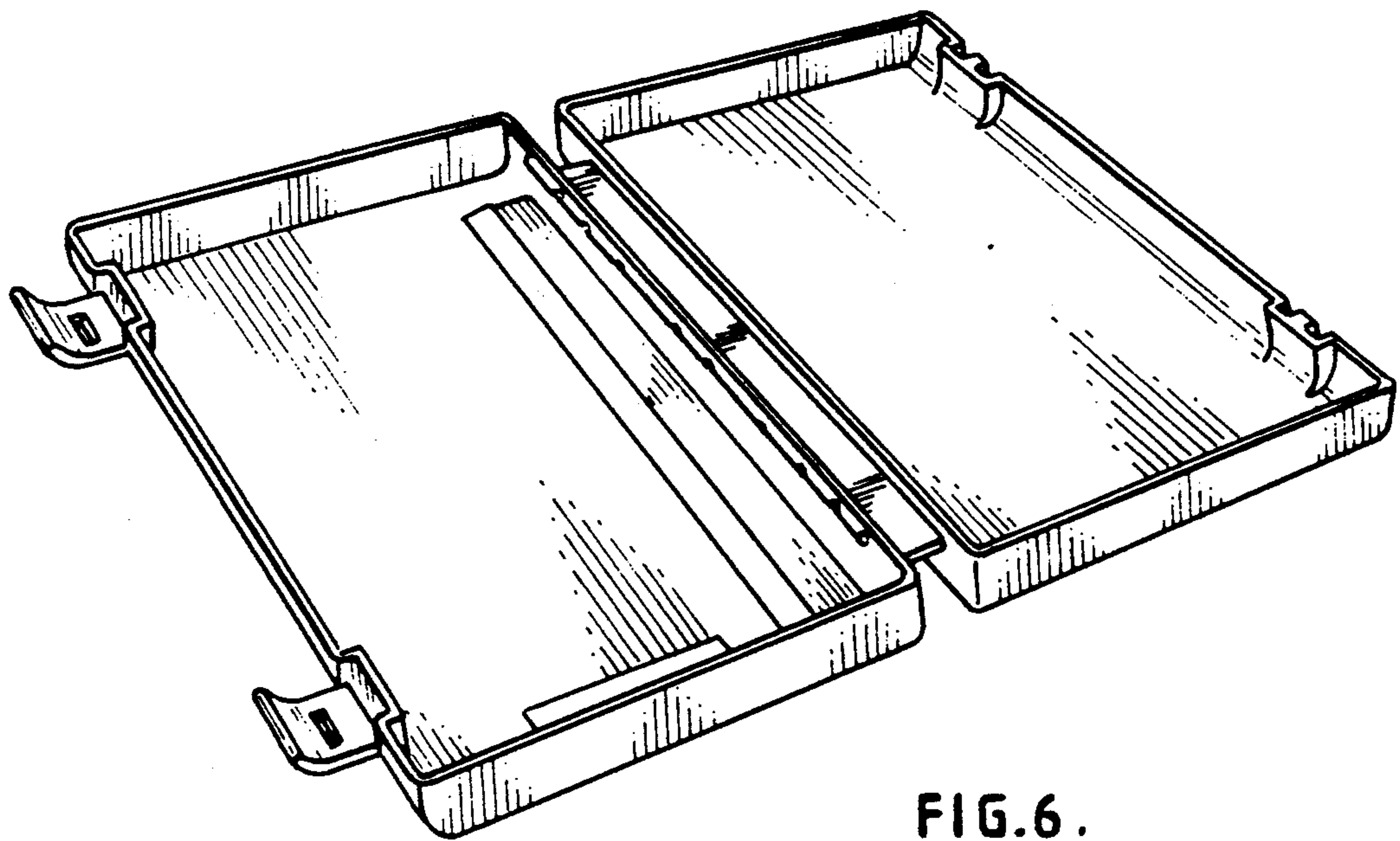


FIG. 6.



FIG. 7.