



US00D340132S

# United States Patent [19]

[11] Patent Number: **Des. 340,132**

Coyle et al.

[45] Date of Patent: **\*\* Oct. 12, 1993**

[54] **DIABETIC'S BAG**

4,573,202 2/1986 Lee ..... 190/115 X

[76] Inventors: **Rodman A. Coyle; Judy T. Coyle,**  
both of 131 Dellwood Ave.,  
Swannanoa, N.C. 28778

*Primary Examiner*—Bernard Ansher  
*Assistant Examiner*—Paula Mortimer  
*Attorney, Agent, or Firm*—Carter & Schnedler

[\*\*] Term: **14 Years**

[57] **CLAIM**

[21] Appl. No.: **823,551**

The ornamental design for diabetic's bag, as shown and described.

[22] Filed: **Jan. 21, 1992**

[52] U.S. Cl. .... **D3/74; D3/39**

[58] Field of Search ..... **D3/76, 39, 30.1;**  
**190/100, 107, 900, 901, 902; 206/545, 571, 366,**  
**581, 570, 303**

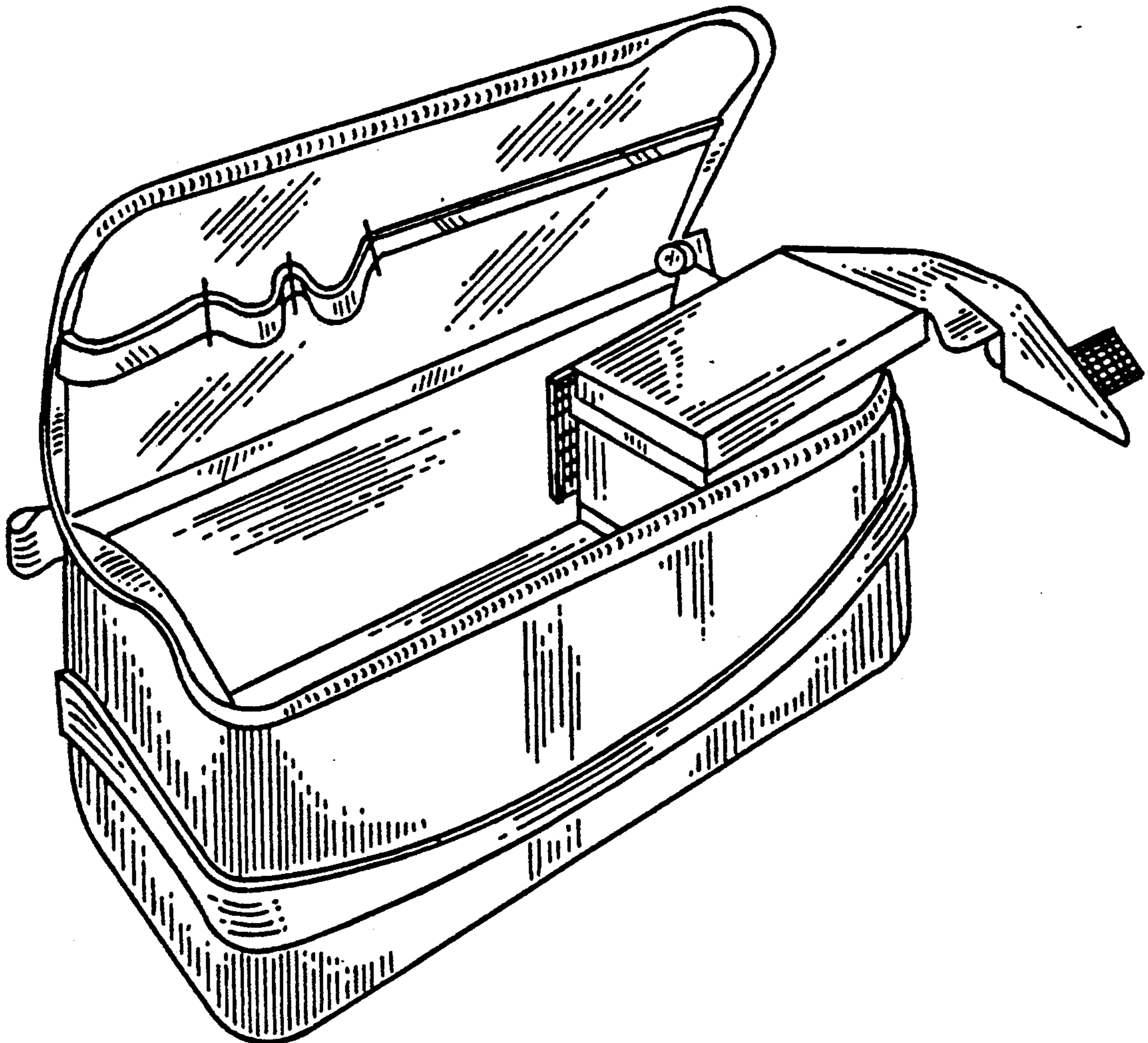
**DESCRIPTION**

FIG. 1 is a perspective view showing our new design of diabetic's bag with the top closed;  
FIG. 2 is a front perspective view in an open position;  
FIG. 3 is a front perspective view with the top in an open position and the inner lid unfolded;  
FIG. 4 is a front elevational view of FIG. 1;  
FIG. 5 is a right side elevational view of FIG. 1;  
FIG. 6 is a left side elevational view of FIG. 1;  
FIG. 7 is a top view of FIG. 1;  
FIG. 8 is a bottom view of FIG. 1; and,  
FIG. 9 is a rear elevational view of FIG. 1.

[56] **References Cited**

**U.S. PATENT DOCUMENTS**

2,062,237	11/1936	Schwartz	.....	D3/39 X
2,146,657	2/1939	Stanley	.....	206/581 X
2,167,926	8/1939	Glasker	.....	D3/39 X
2,191,557	2/1940	Cline	.....	190/903 X
4,463,789	8/1984	Leiserson	.....	190/110 X



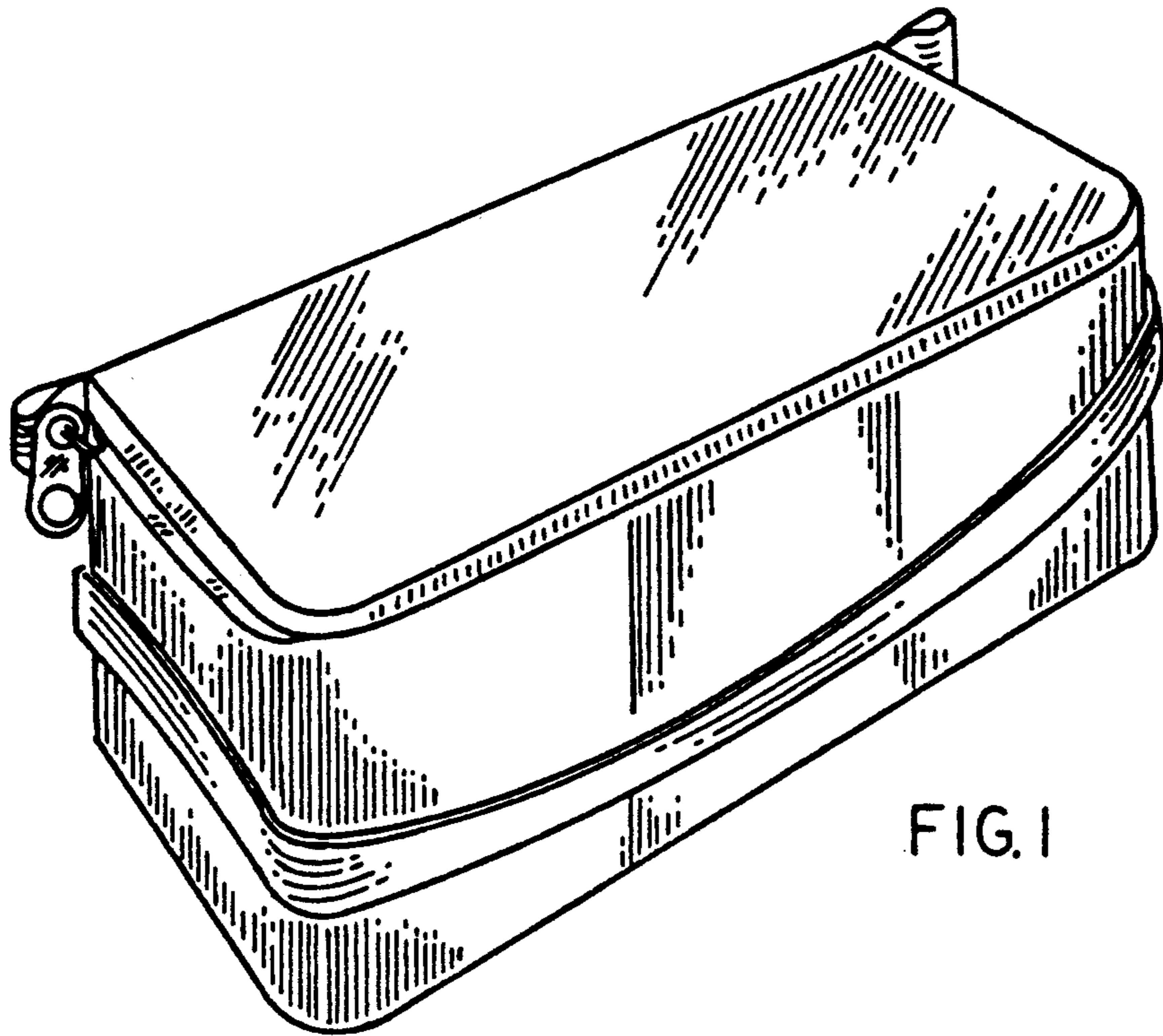


FIG. 1

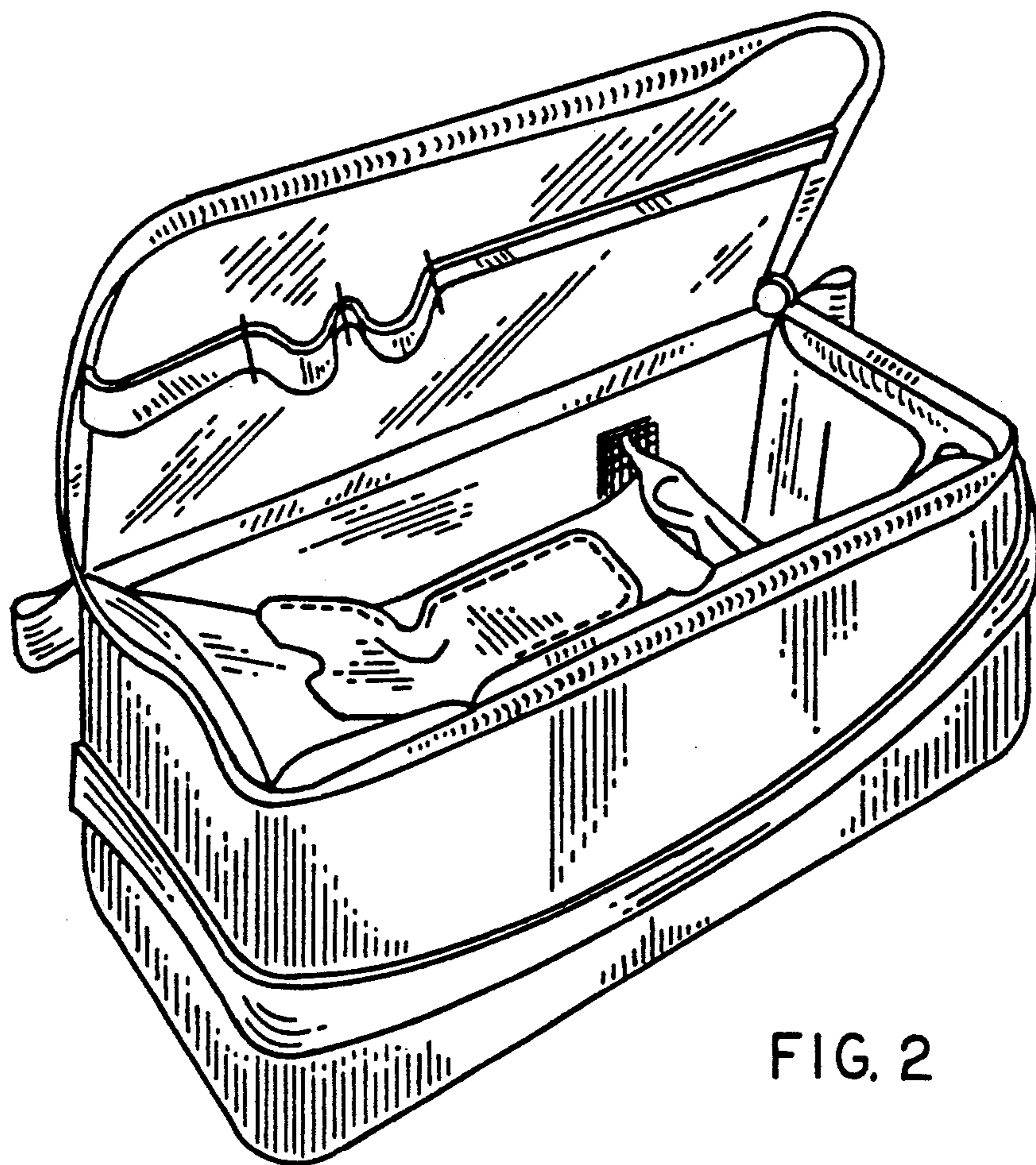


FIG. 2

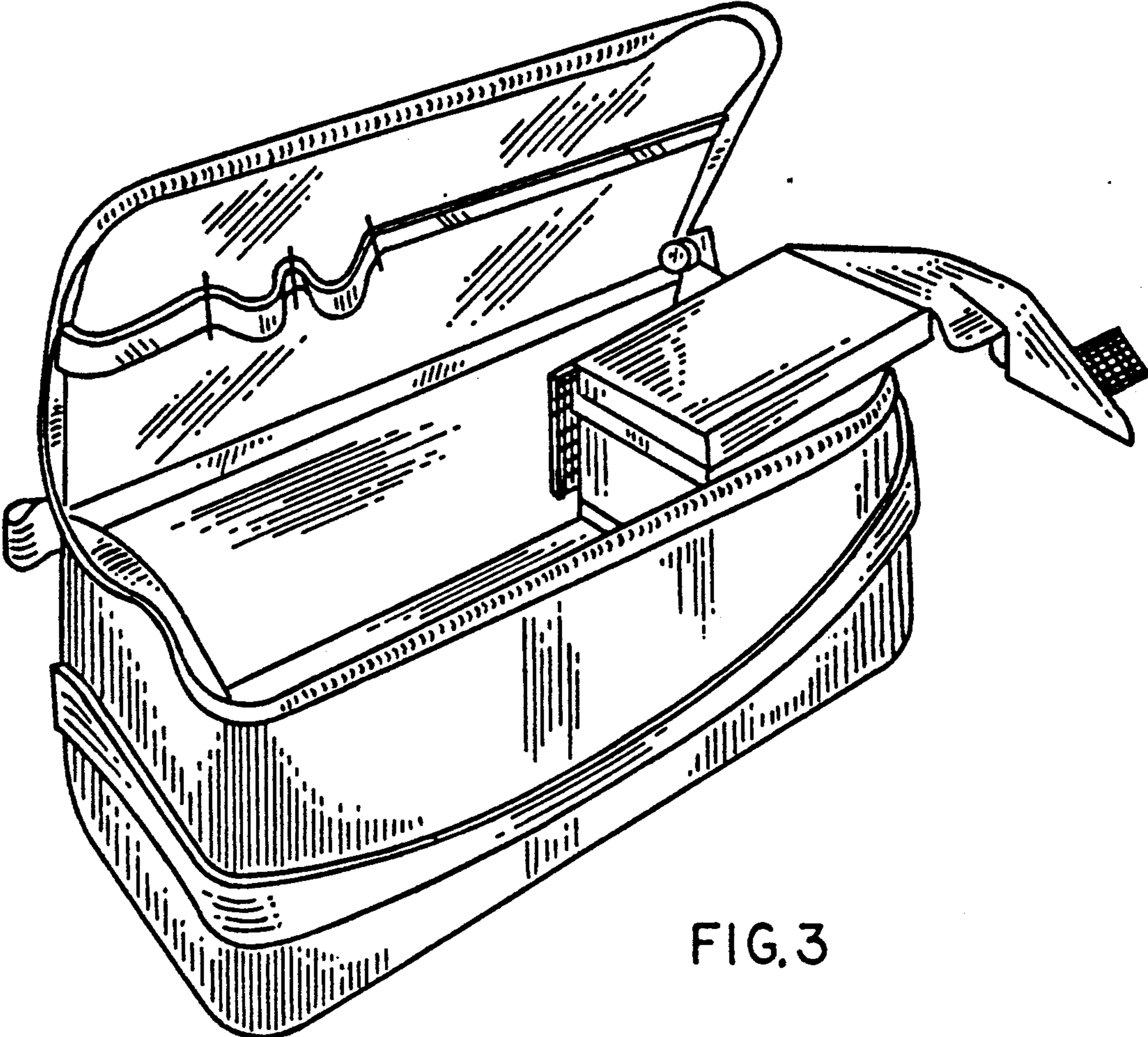


FIG. 3

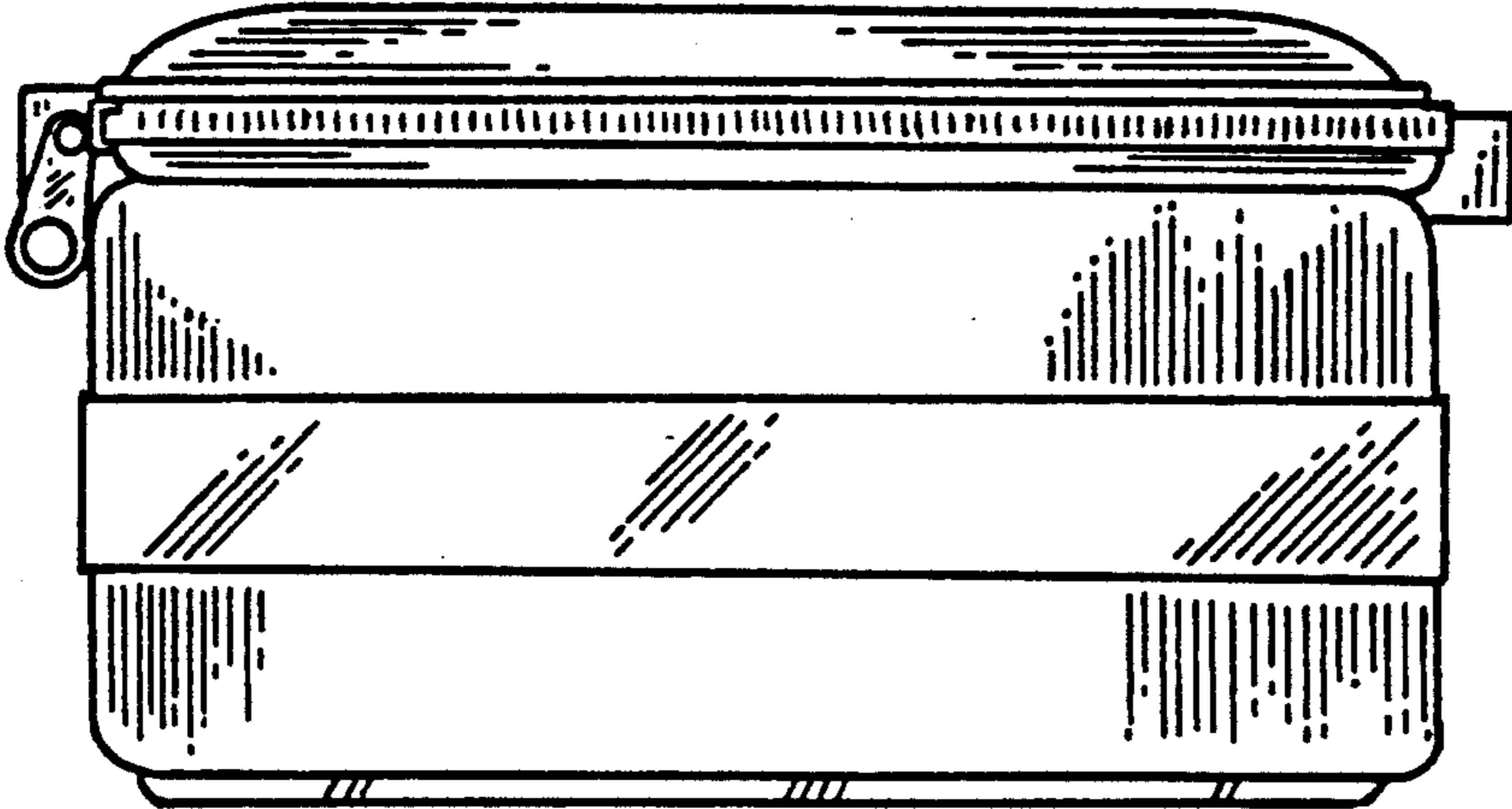


FIG. 4

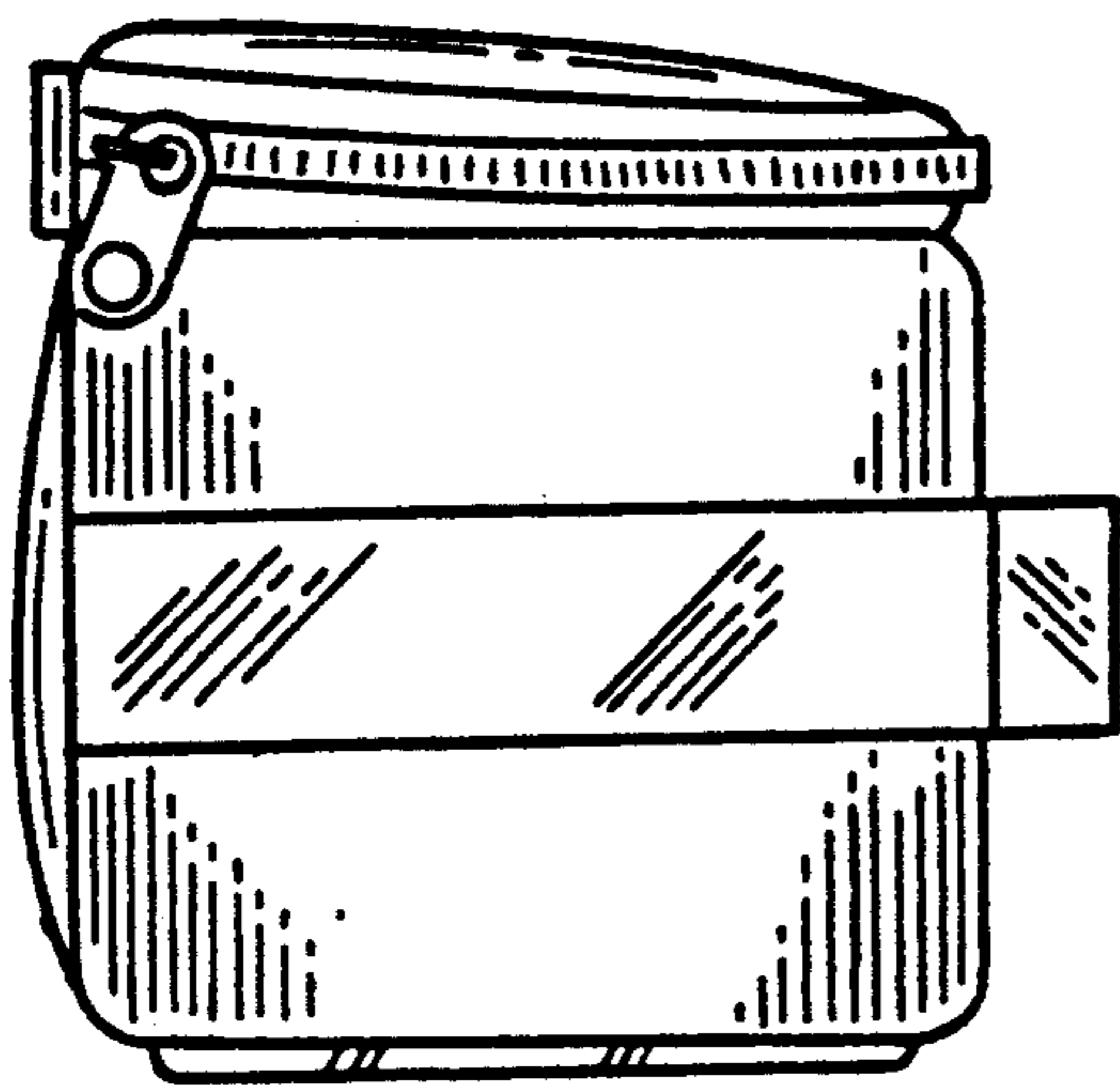


FIG. 5

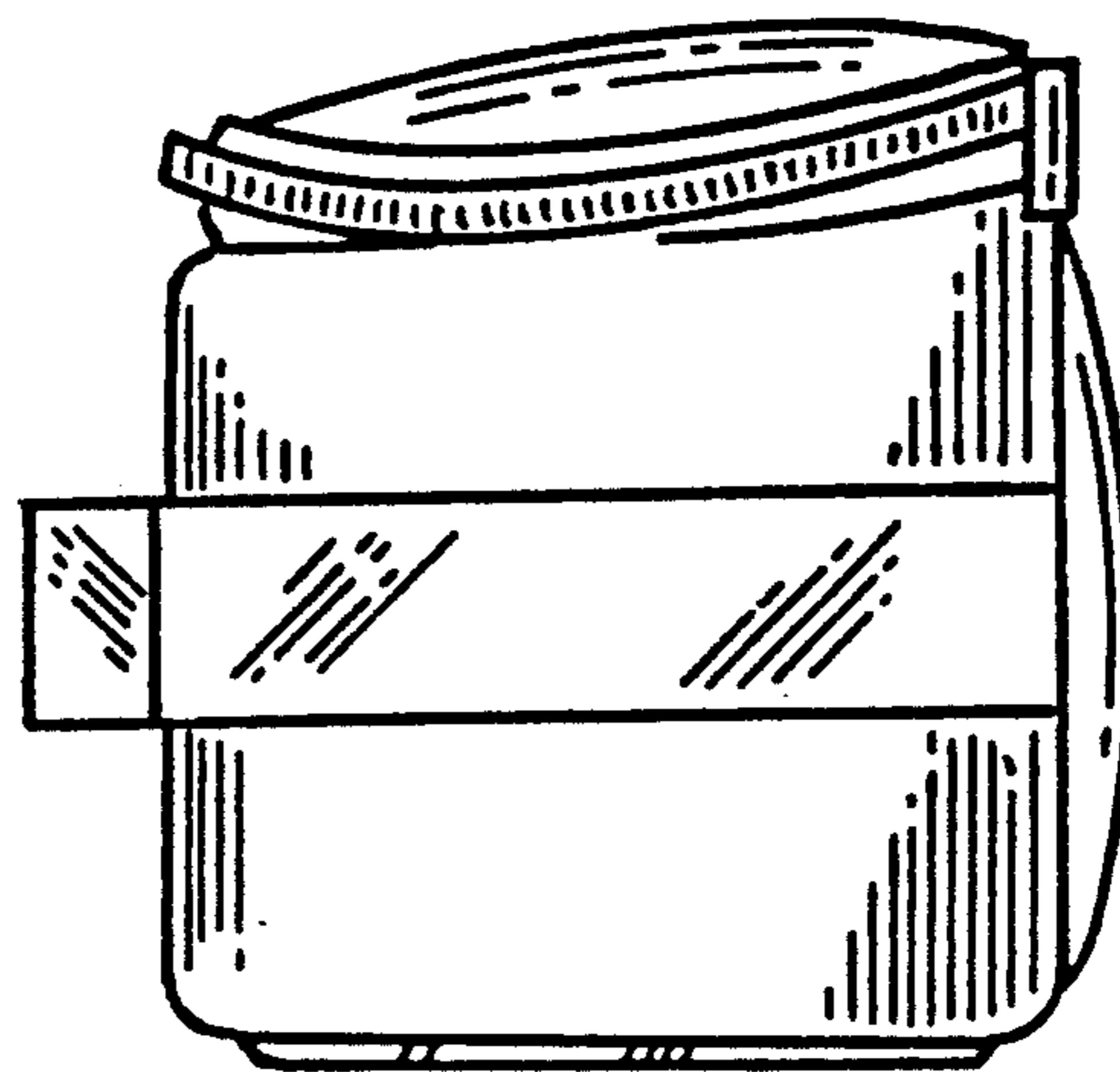


FIG. 6

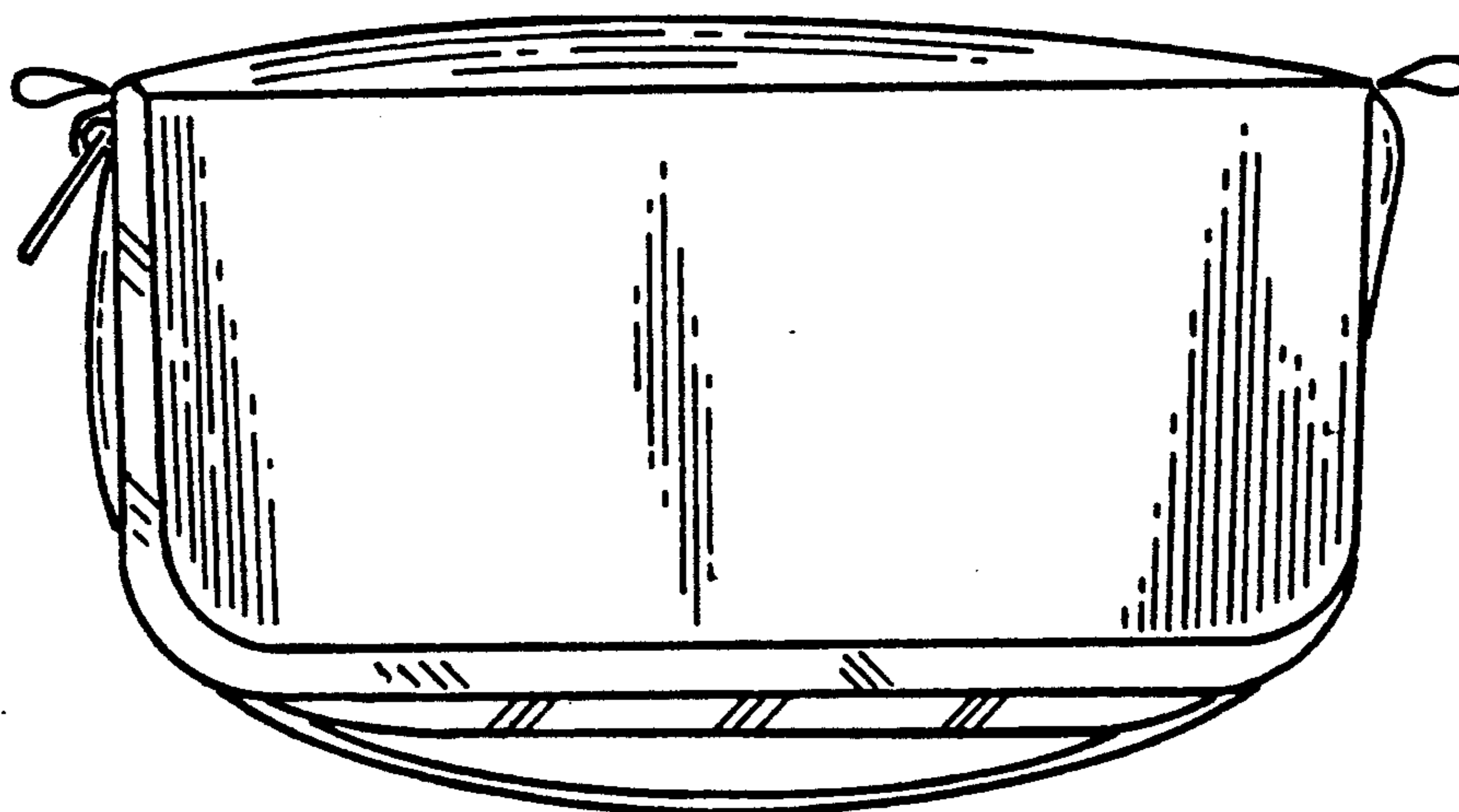


FIG. 7

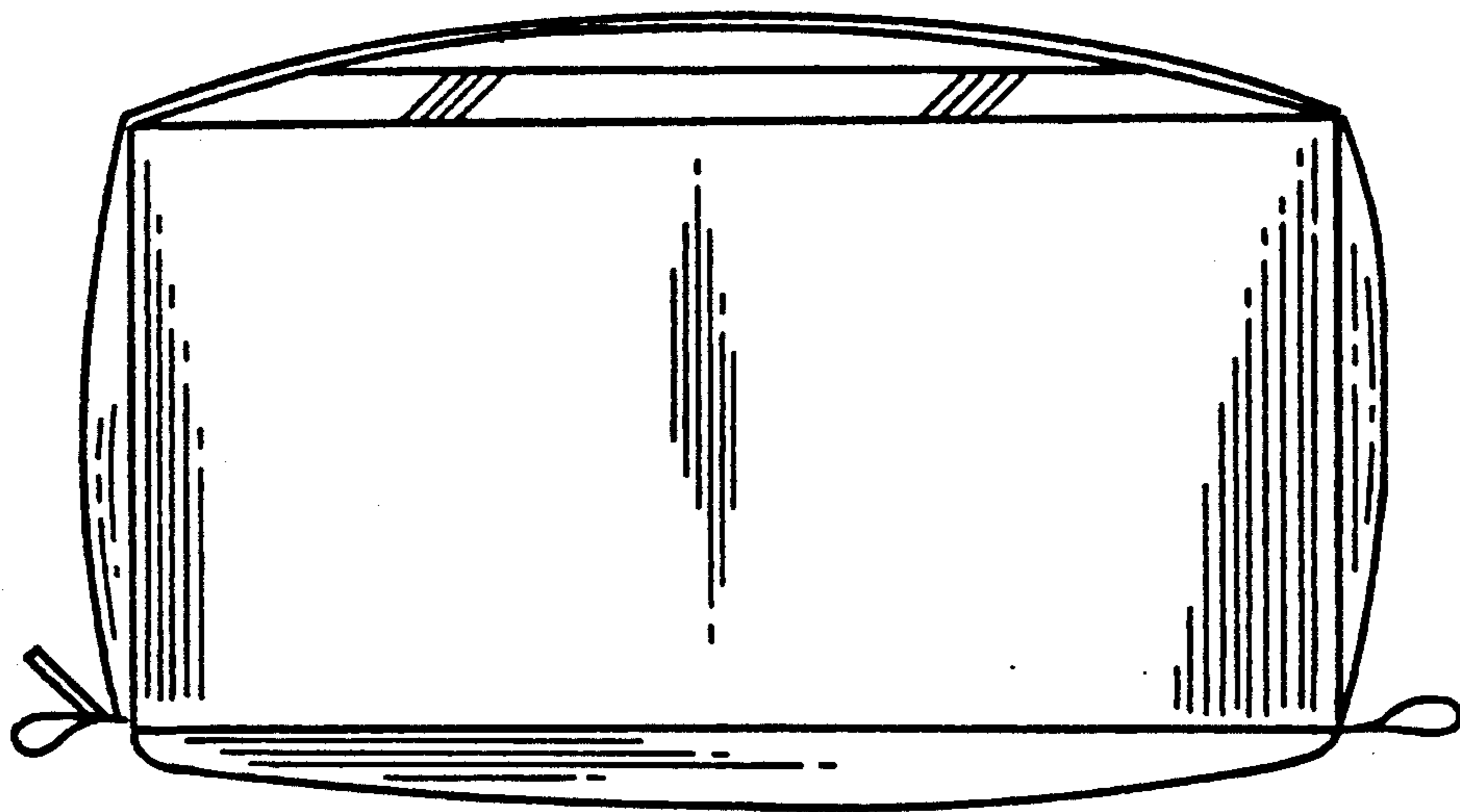


FIG. 8

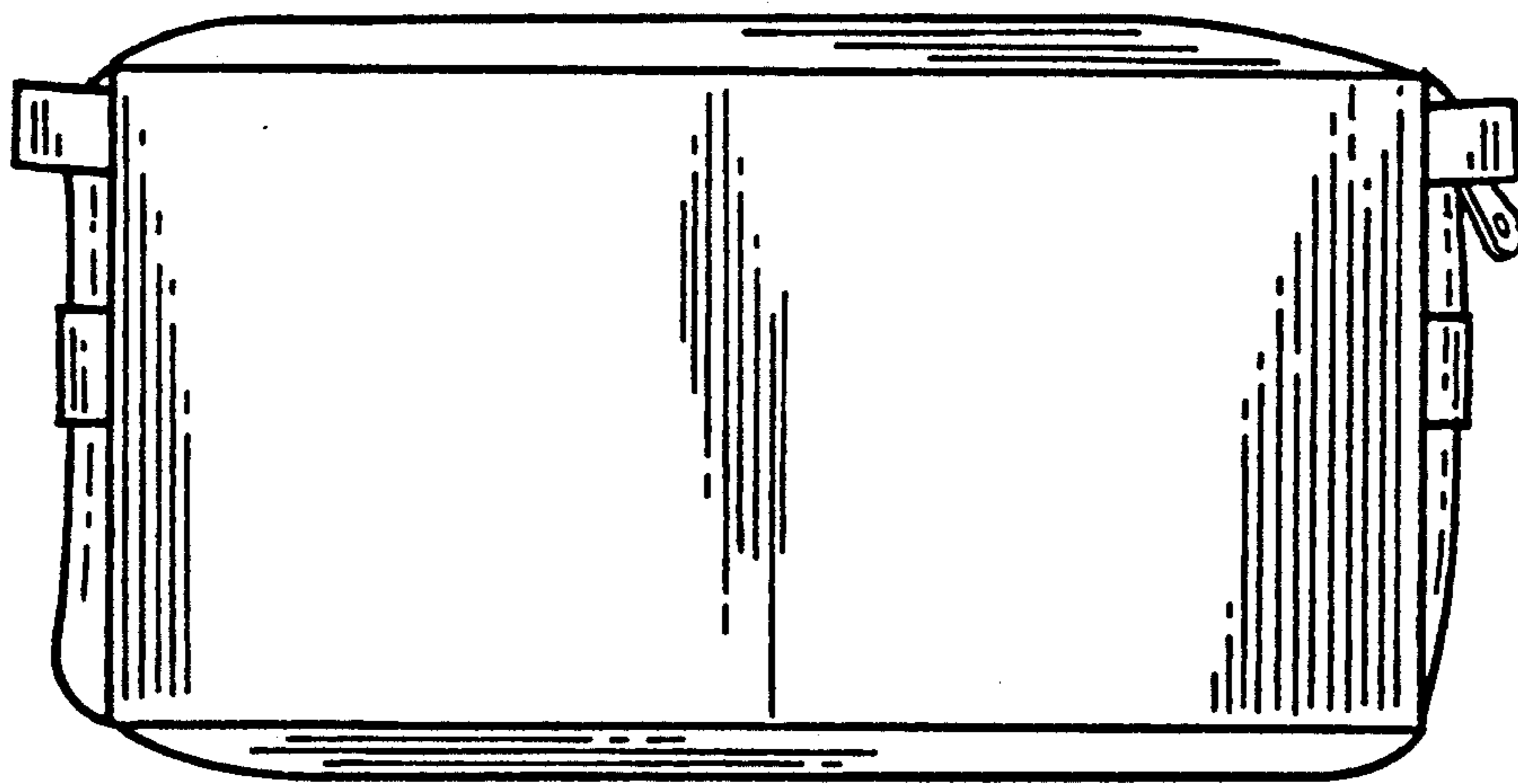


FIG. 9