



US00D340123S

# United States Patent [19]

[11] Patent Number: Des. 340,123

Howey, Jr.

[45] Date of Patent: \*\* Oct. 12, 1993

[54] **WALKING ASSISTANCE ATTACHMENT FOR SNOW SKI BOOTS**

[76] Inventor: **Wade H. Howey, Jr.**, 2312 Potter Road South, Waxhaw, N.C. 28173

[\*\*] Term: **14 Years**

[21] Appl. No.: **757,263**

[22] Filed: **Sep. 10, 1991**

[52] U.S. Cl. .... **D2/314; D2/317**

[58] Field of Search ..... **D2/264, 265, 276, 277, D2/314, 317; 36/110, 113-122, 132, 136, 7.5, 7.3, 7.6**

[56] **References Cited**

**U.S. PATENT DOCUMENTS**

D. 250,796	1/1979	DeFever .....	D2/314
D. 263,516	3/1982	Botty .....	D2/317 X
3,665,620	5/1972	St. Clair .....	36/7.5
3,965,586	6/1976	Roosli .....	36/7.3
3,971,144	7/1976	Bruegger-Stuker .....	36/117 X
4,005,704	2/1977	Stoehr .	
4,156,316	5/1979	DeFever .....	36/132
4,160,301	7/1979	Wooley .....	36/132 X
4,199,880	4/1980	Frey .....	36/132
4,228,602	10/1980	Groves .....	36/132

4,286,397	9/1981	Booty .....	36/132
4,294,025	10/1981	Keller .....	36/132
4,299,037	11/1981	Carey .....	36/7.6
4,446,856	5/1984	Jordan .	
4,461,104	7/1984	Calkin et al. ....	36/132
4,505,057	3/1985	Kiester .....	36/117
4,542,599	9/1985	Annovi .....	36/117
4,570,363	2/1986	Annovi .....	36/117
4,619,059	10/1986	Koniuk .....	36/132
4,722,144	2/1988	Beerli .....	36/117
4,811,504	3/1989	Bunke .....	36/132

*Primary Examiner*—Louis S. Zarfes

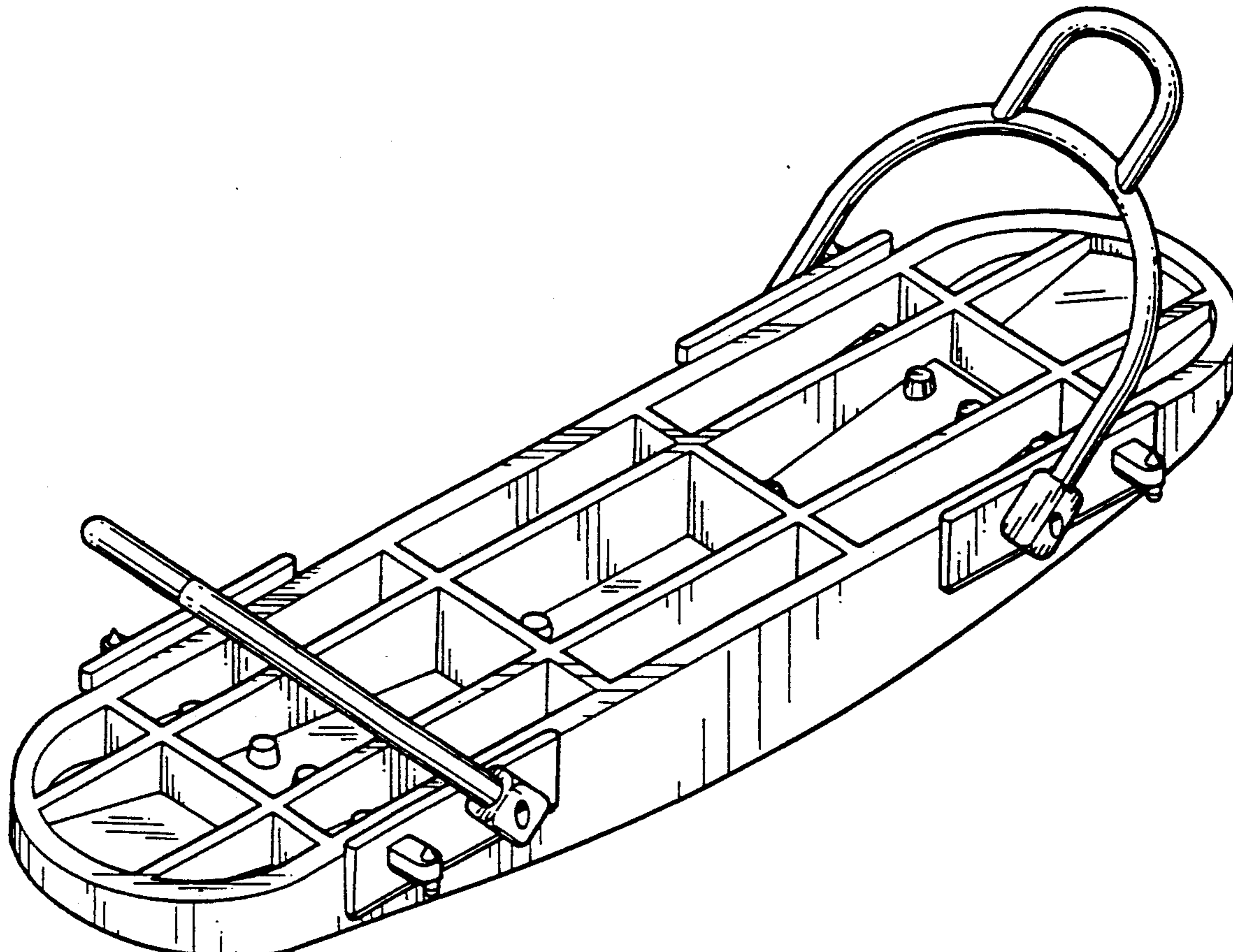
*Attorney, Agent, or Firm*—Sheft, Pinckney & Sawyer

[57] **CLAIM**

The ornamental design for a walking assistance attachment for snow ski, as shown and described.

**DESCRIPTION**

FIG. 1 is a perspective view of a walking assistance attachment for snow ski boots, showing my new design; FIG. 2 is a bottom plan view thereof; FIG. 3 is a top plan view thereof; FIG. 4 is a side elevational view thereof, the opposite side being identical; and, FIG. 5 is an end elevational view thereof, the opposite end being identical.



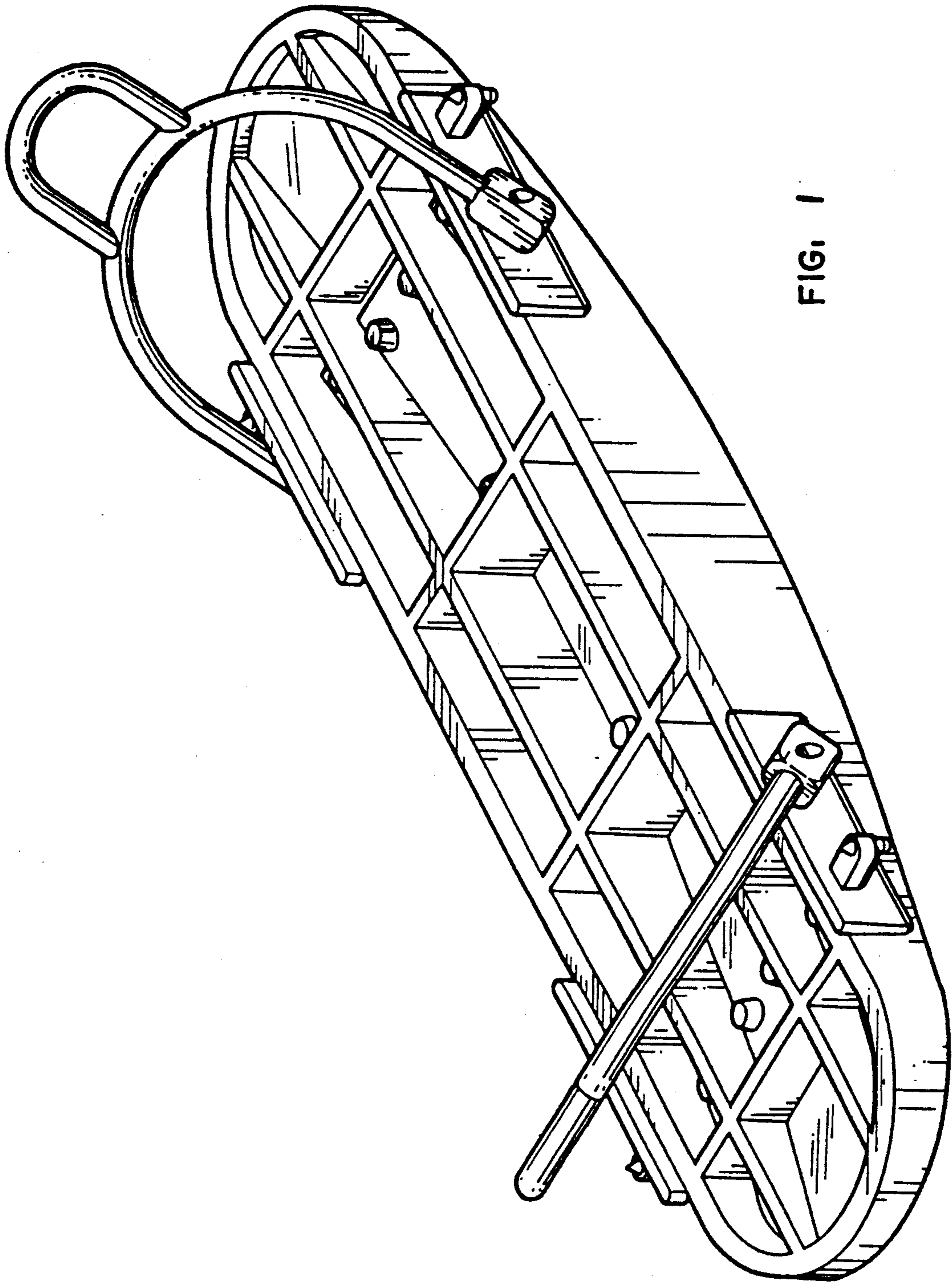


FIG. 1

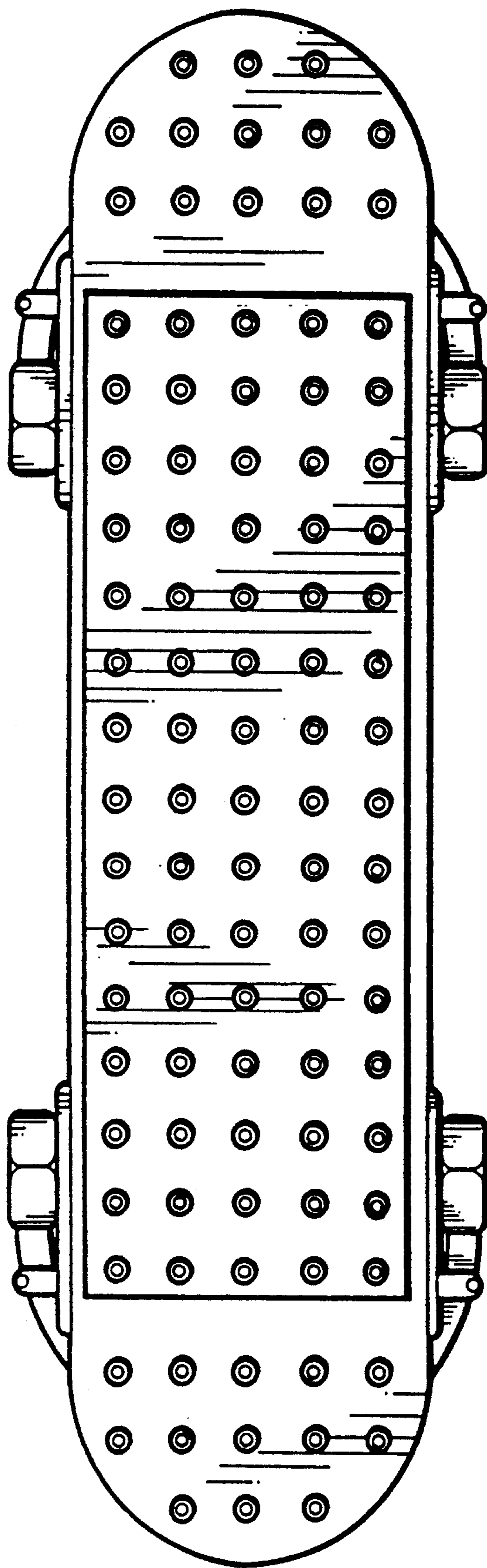


FIG. 2



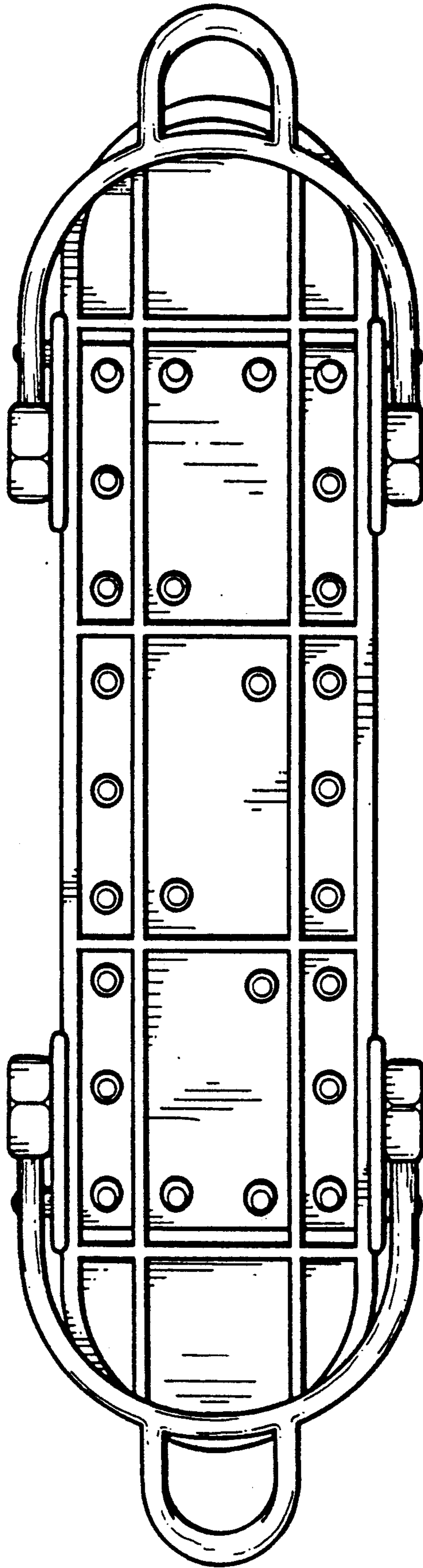


FIG. 3

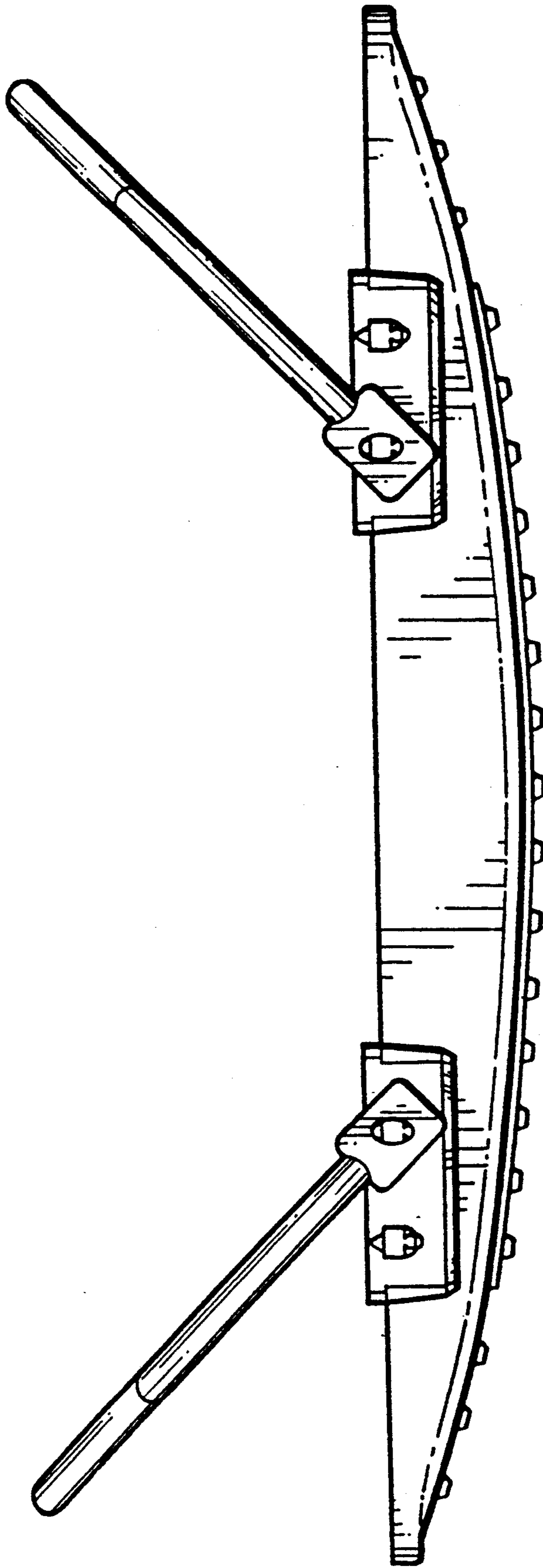


FIG. 4

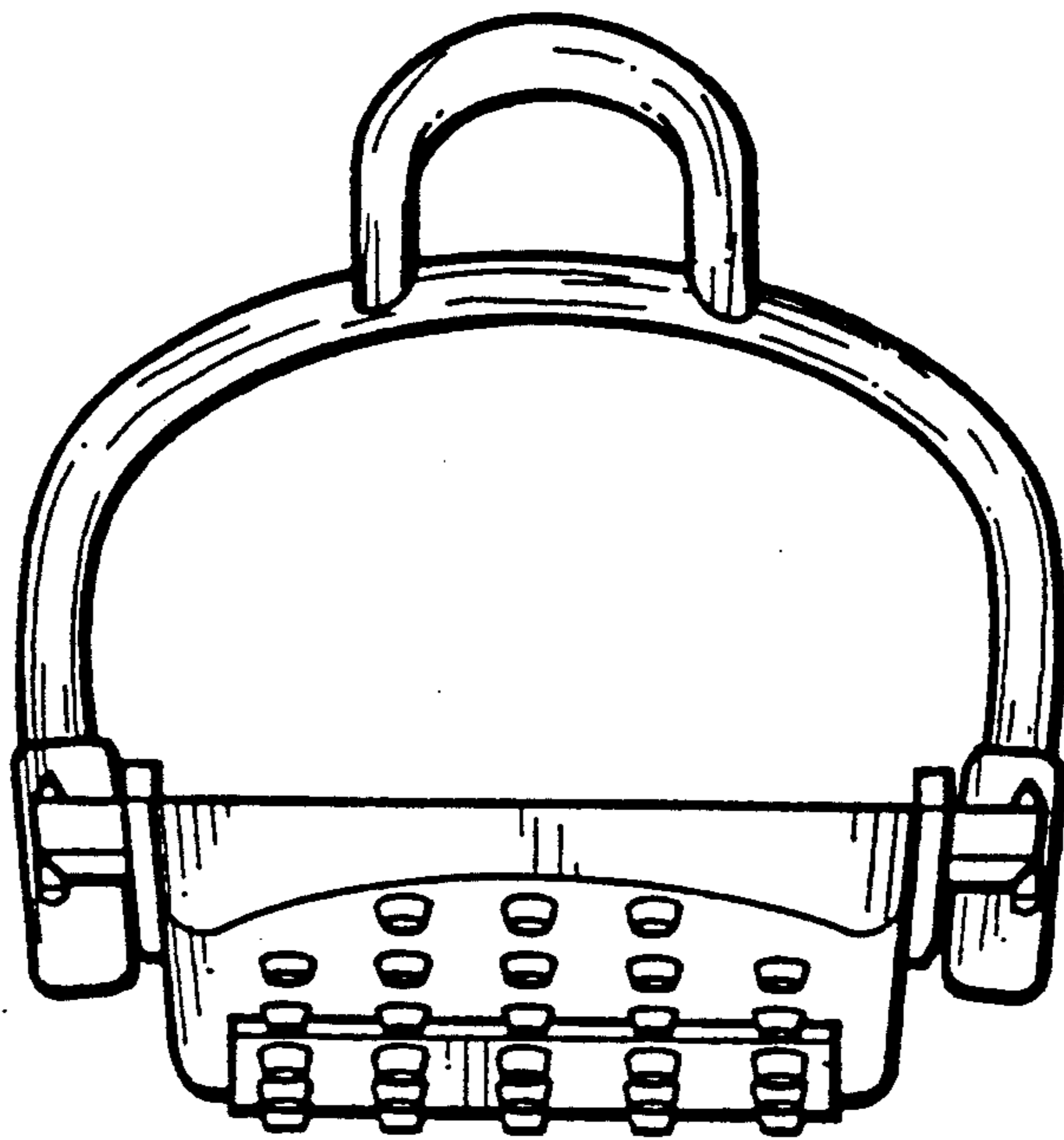


FIG. 5