



US00D340122S

# United States Patent [19]

[11] Patent Number: Des. 340,122

Wakabayashi

[45] Date of Patent: \*\* Oct. 12, 1993

[54] BUCKLE

[75] Inventor: Masao Wakabayashi, Toyama, Japan

[73] Assignee: Yoshida Kogyo K.K., Tokyo, Japan

[\*\*] Term: 14 Years

[21] Appl. No.: 829,155

[22] Filed: Jan. 31, 1992

[30] Foreign Application Priority Data

Jul. 31, 1991 [JP] Japan ..... 3-22994

[52] U.S. Cl. .... D11/218; D11/220

[58] Field of Search ..... D11/200, 215-218, D11/231, 87, 212, 232; 24/574, 633, 573, 631, 641, 616, 196, 170, 163 R, 305, 197, 260, 163, 68 F, 74; 297/467

[56] References Cited

U.S. PATENT DOCUMENTS

D. 275,716 10/1984 Kanzaka ..... D11/218  
D. 300,614 4/1989 Geldwerth ..... D11/216  
4,262,718 4/1981 Stark ..... 24/197

Primary Examiner—A. Hugo Word

Assistant Examiner—R. Seifert

Attorney, Agent, or Firm—Hill, Steadman & Simpson

[57] CLAIM

The ornamental design for a buckle, as shown and described.

## DESCRIPTION

FIG. 1 is a front elevational view of a buckle showing my new design;  
FIG. 2 is a rear elevational view;  
FIG. 3 is a top plan view;  
FIG. 4 is a bottom plan view;  
FIG. 5 is a left side elevational view;  
FIG. 6 is a cross-sectional view taken along the lines 6—6 of FIG. 1;  
FIG. 7 is a front elevational view of the male member of the buckle;  
FIG. 8 is a rear elevational view of FIG. 7;  
FIG. 9 is a top plan view of FIG. 7;  
FIG. 10 is a rear elevational view of FIG. 7;  
FIG. 11 is a left side elevational view of FIG. 7;  
FIG. 12 is a cross-sectional view taken along the lines 12—12 of FIG. 7;  
FIG. 13 is a front elevational view of the female member of the buckle;  
FIG. 14 is a rear elevational view of FIG. 13;  
FIG. 15 is a top plan view of FIG. 13;  
FIG. 16 is a bottom plan view of FIG. 13;  
FIG. 17 is a left side elevational view of FIG. 13;  
FIG. 18 is a cross-sectional view taken along the lines 18—18 of FIG. 13;  
FIG. 19 is a perspective view of the buckle in FIG. 1 shown in a coupled position; and,  
FIG. 20 is a perspective view of the buckle in FIG. 1 shown in an uncoupled position.

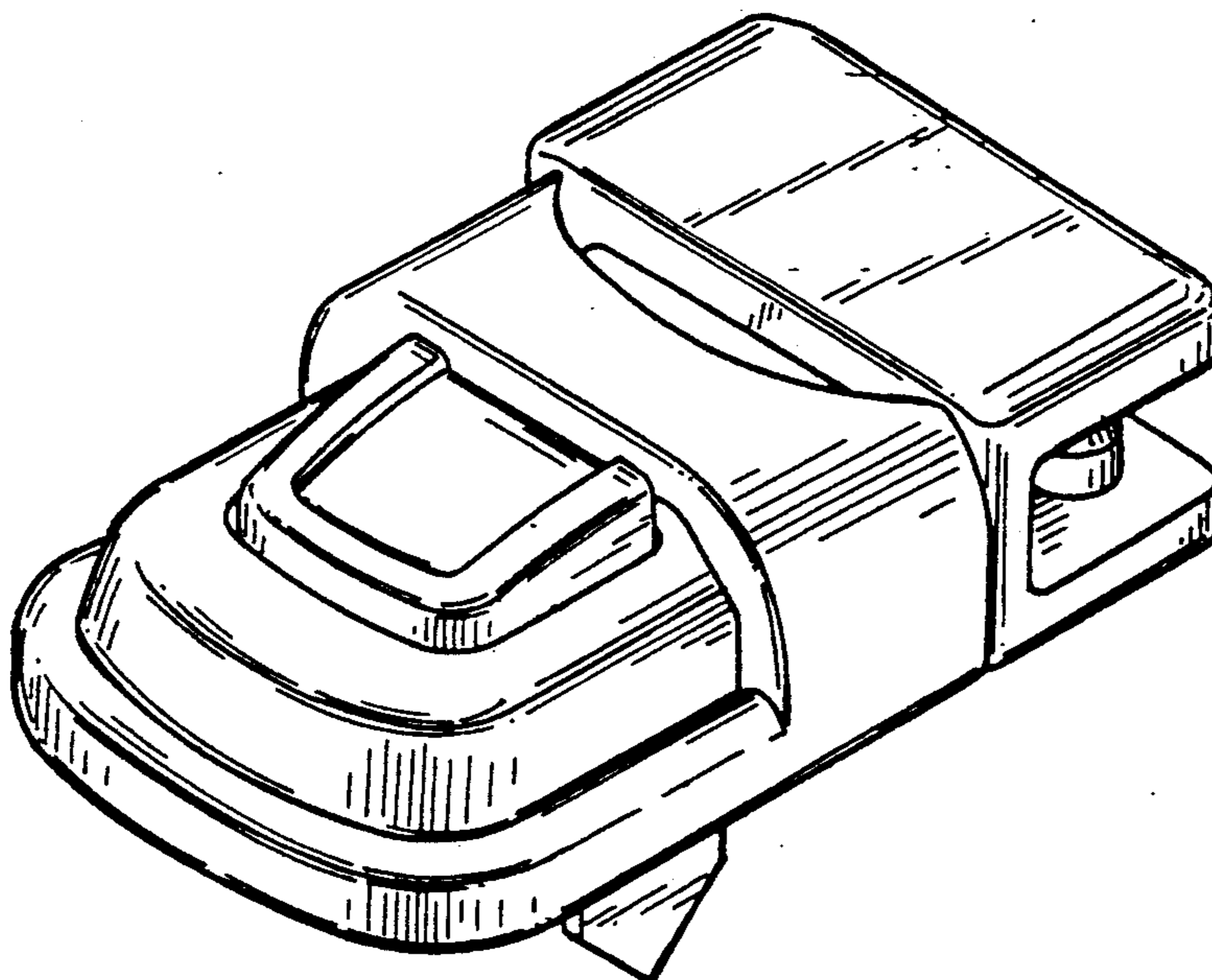
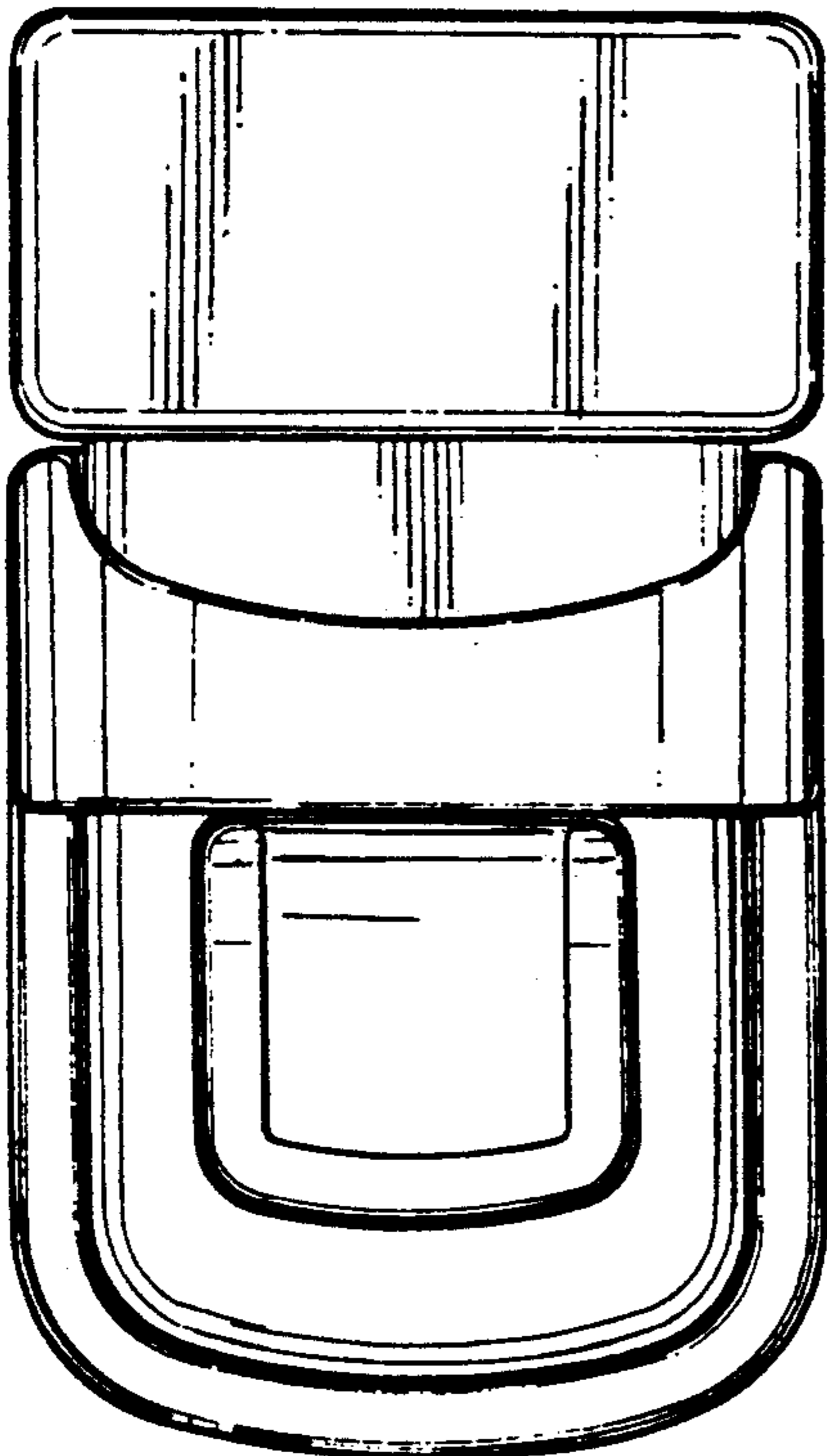


FIG. 1

6-7



6-1

FIG. 2

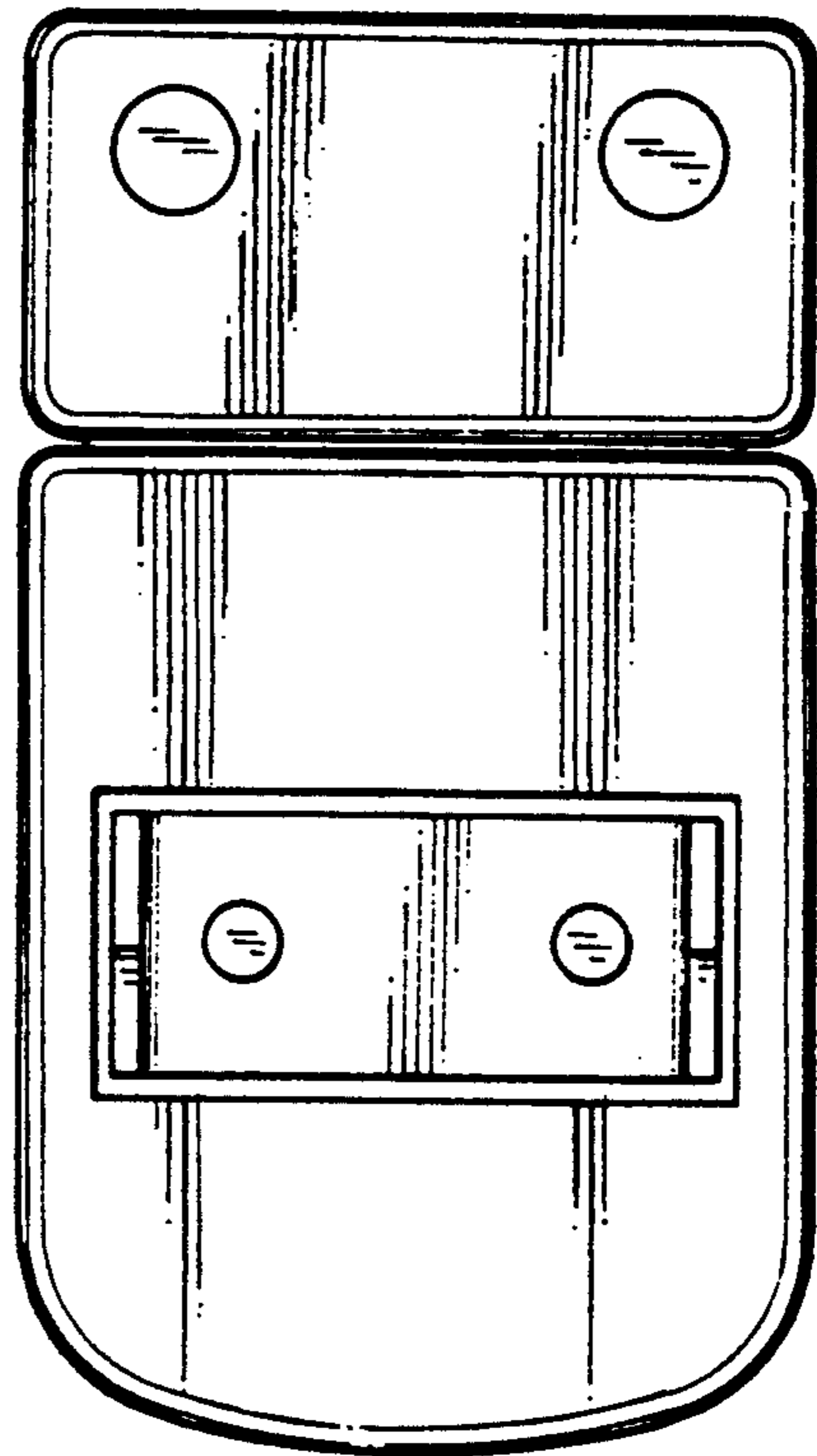


FIG. 3

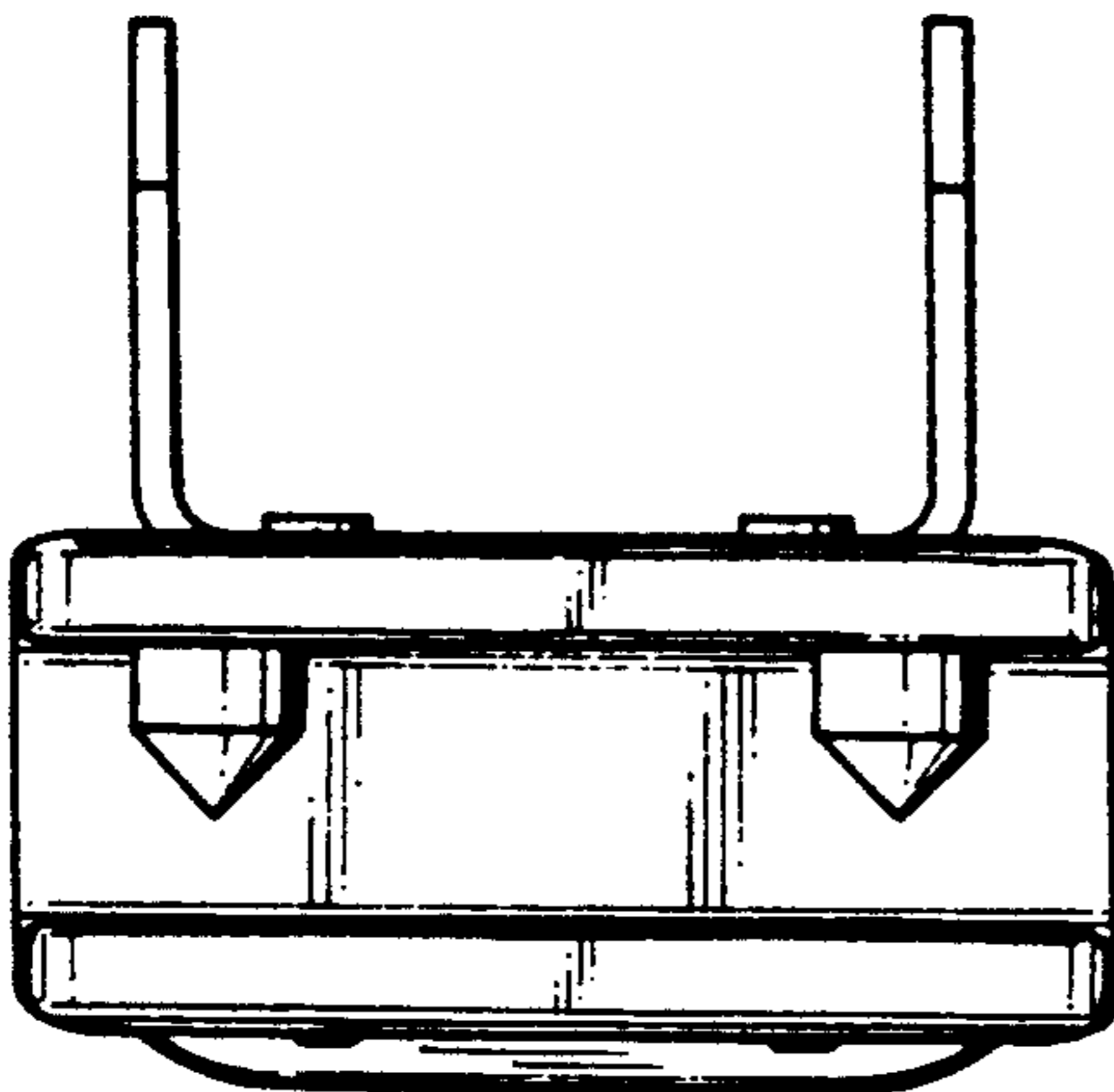


FIG. 4

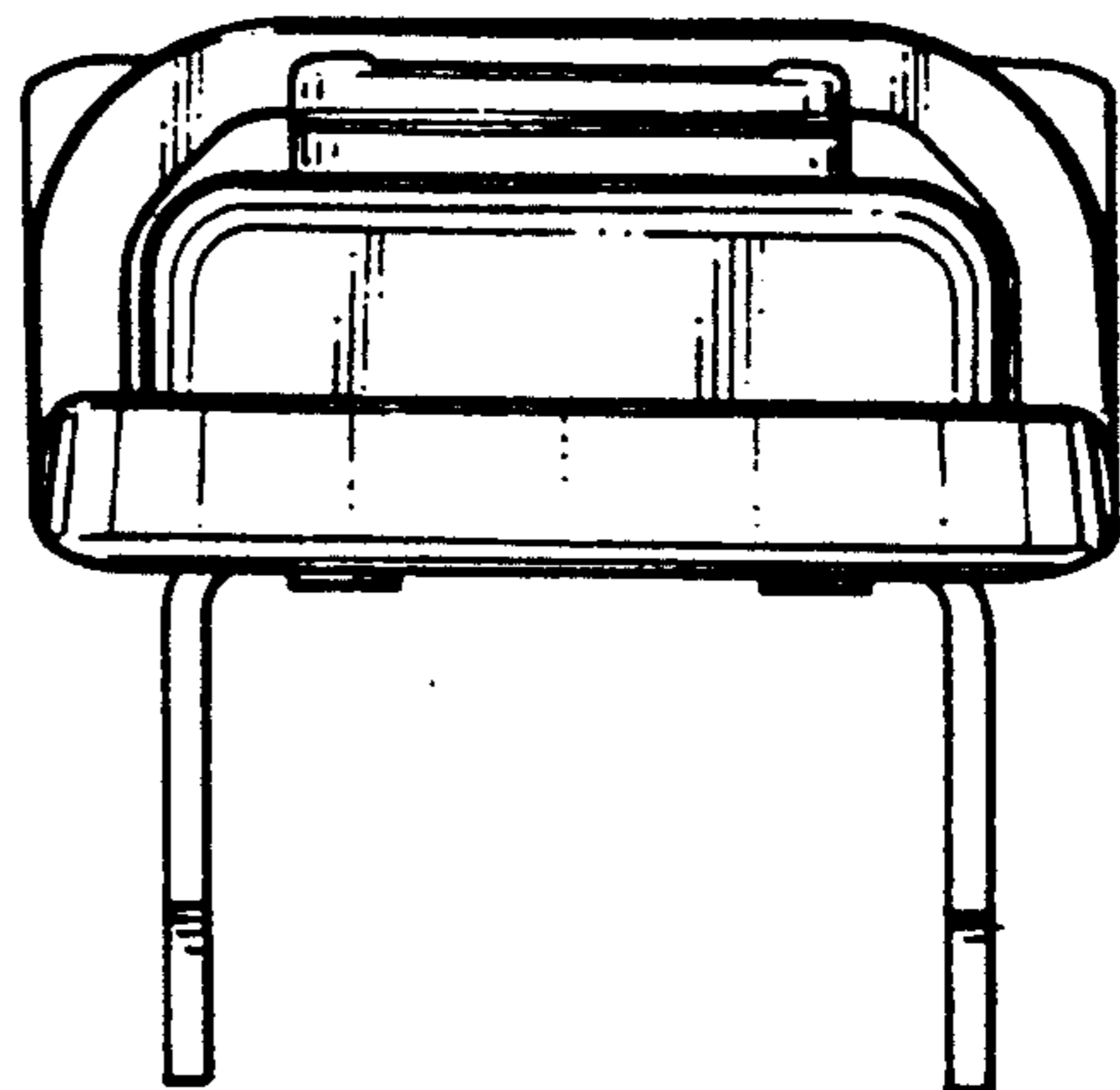


FIG. 5

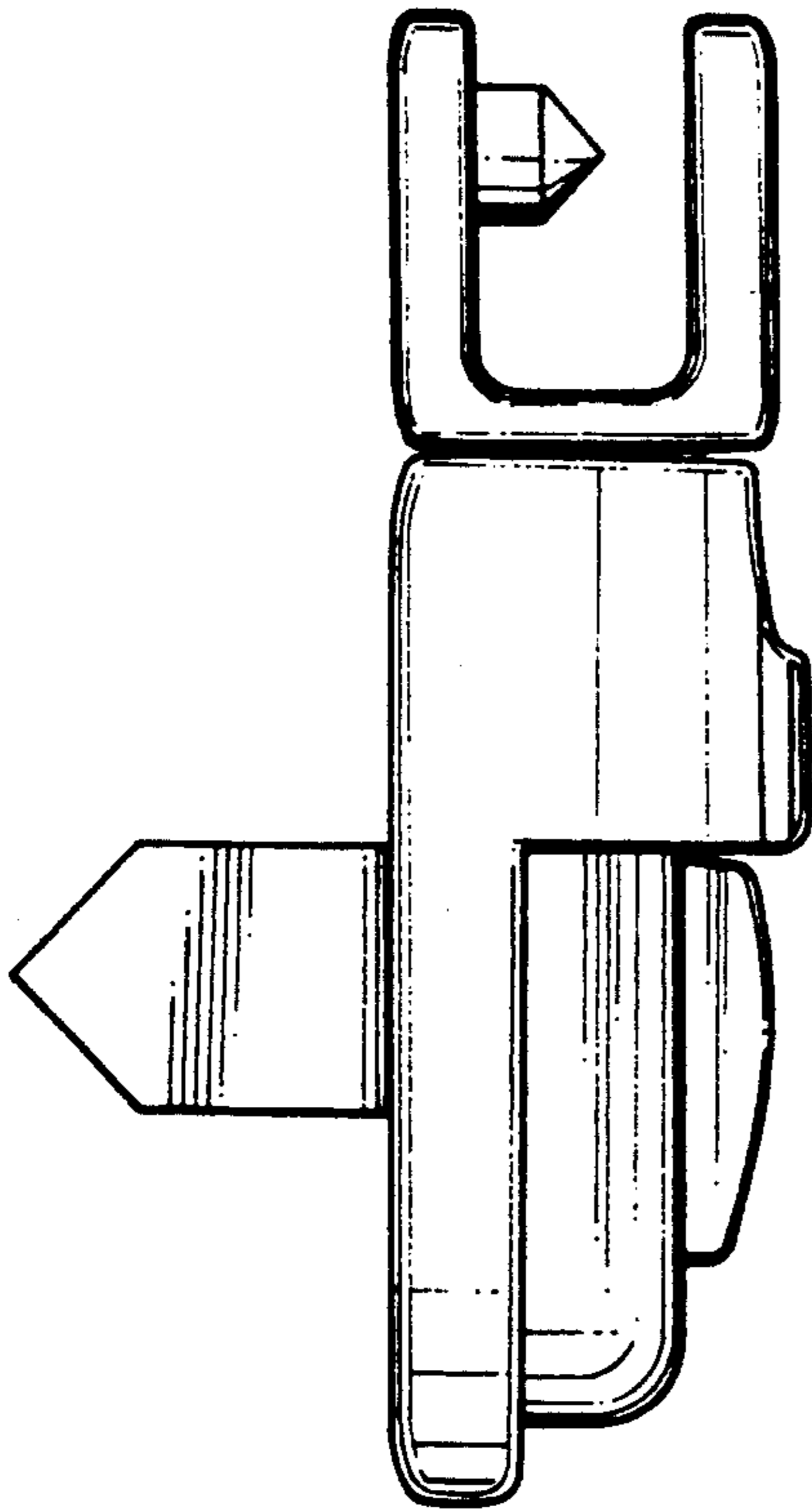


FIG. 6

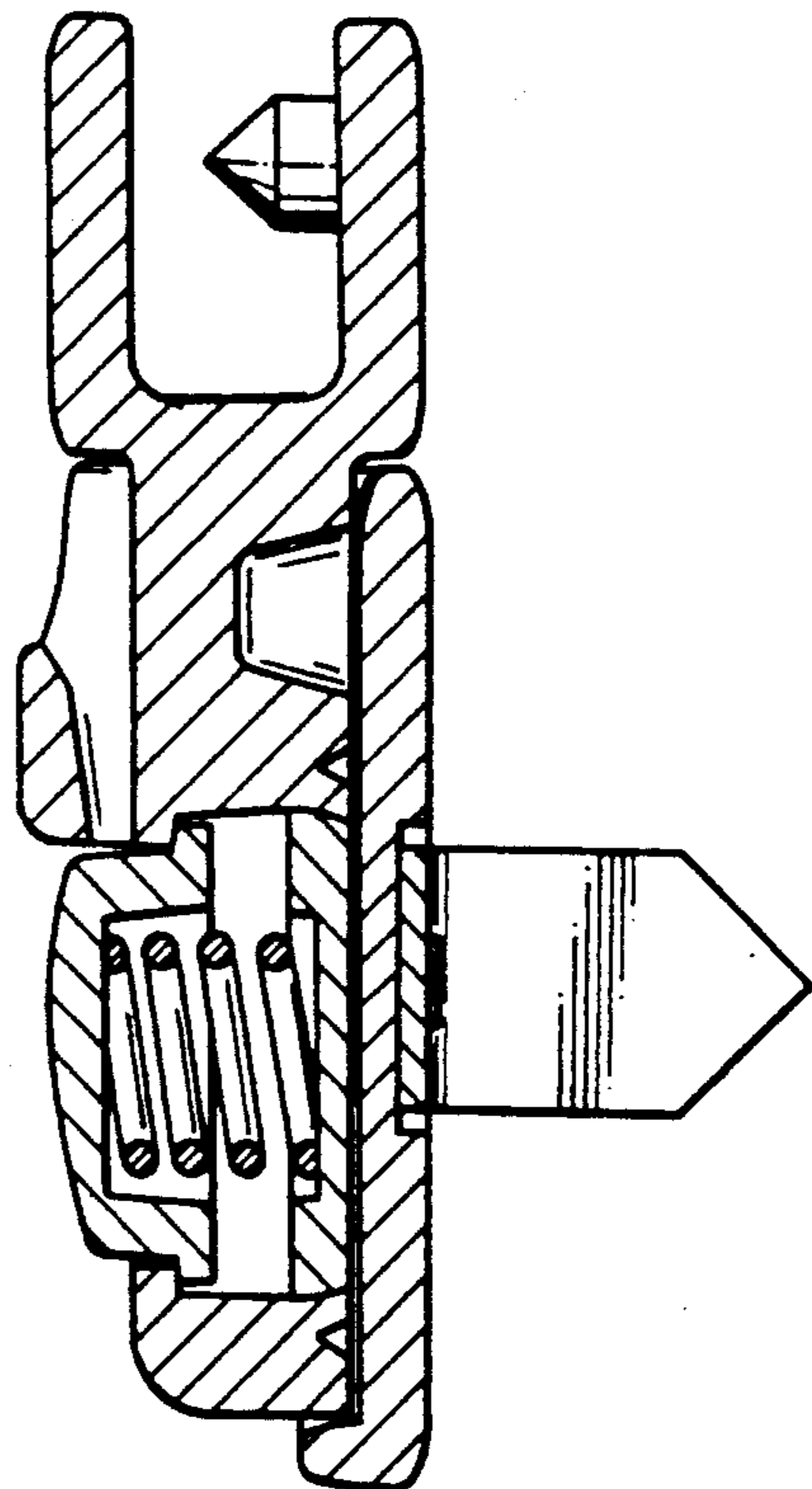
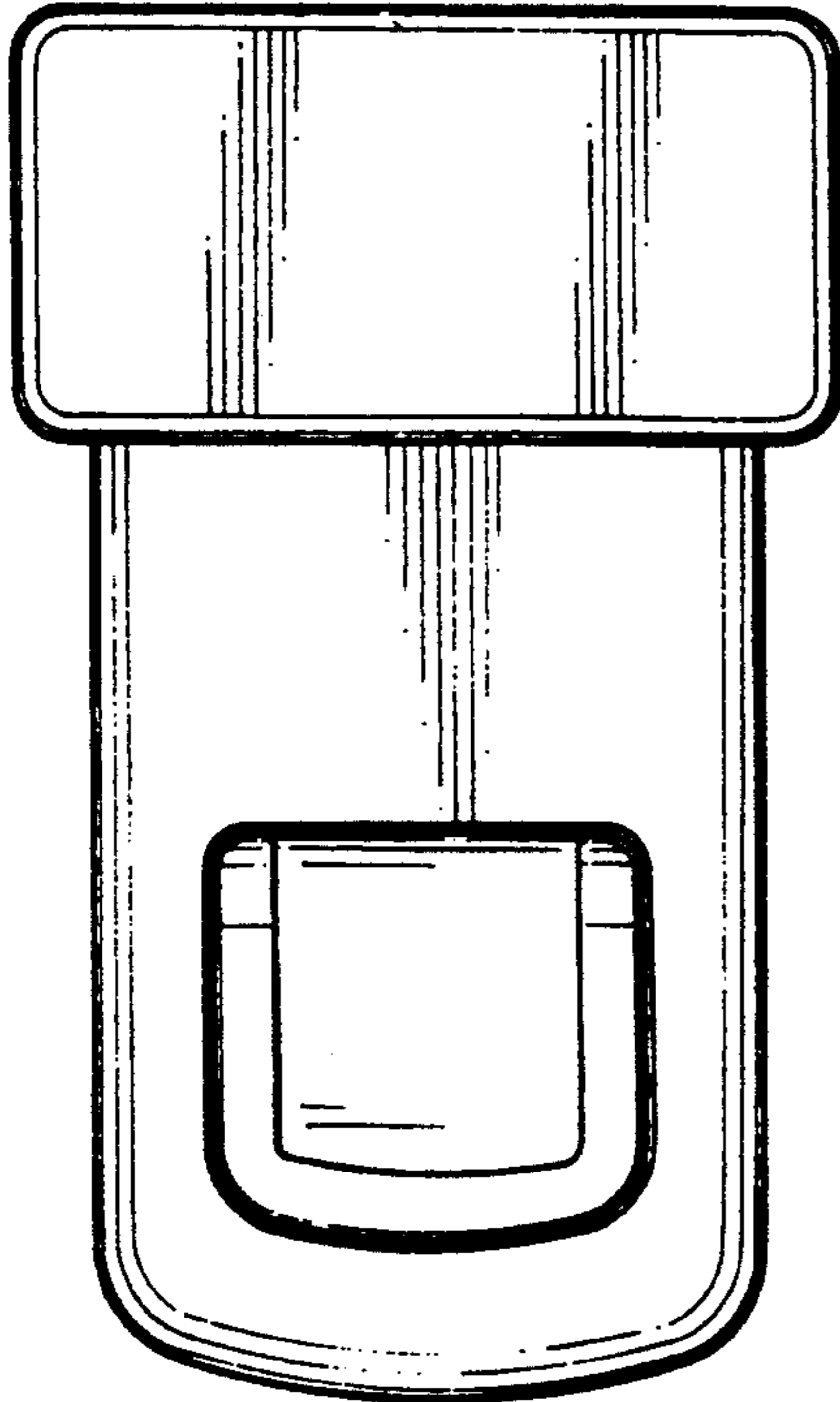


FIG. 7

12-7



12-j

FIG. 8

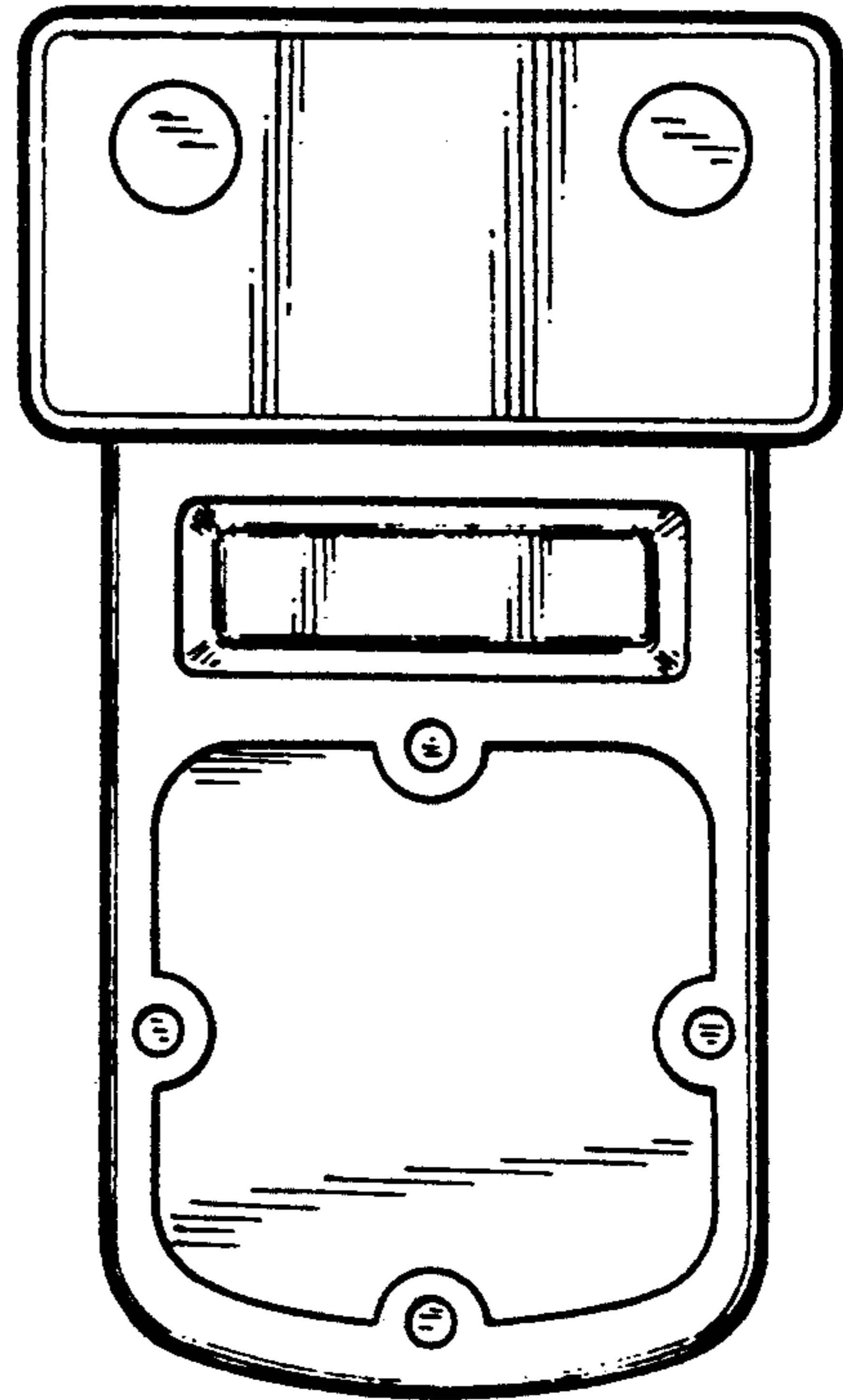


FIG. 9

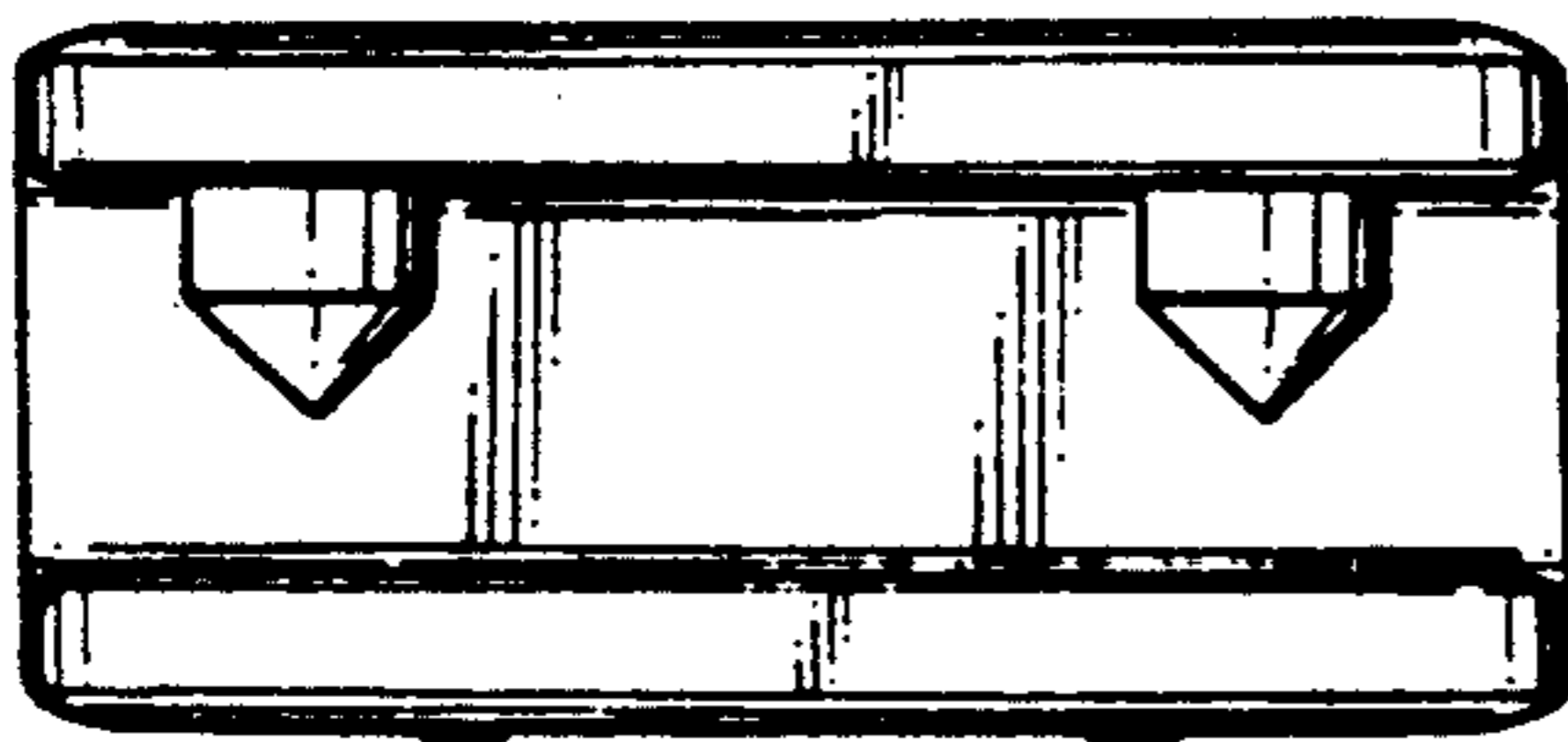


FIG. 10

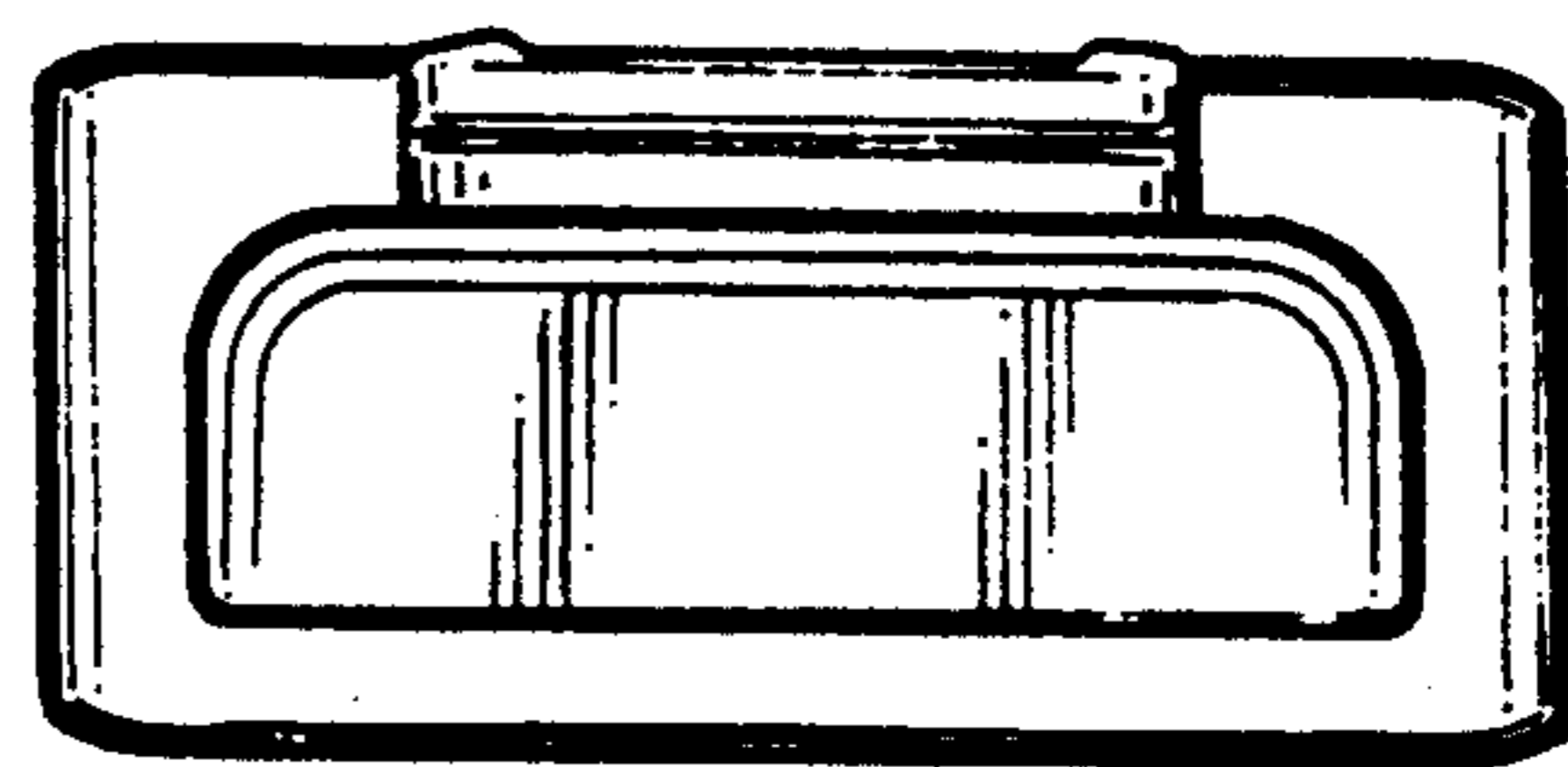




FIG. 11

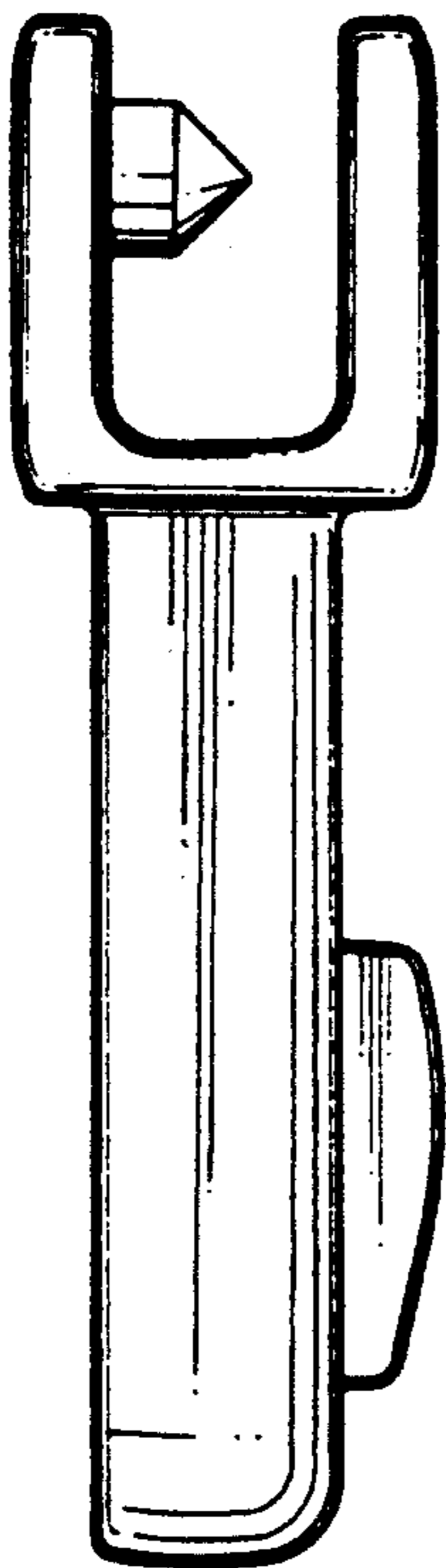


FIG. 12

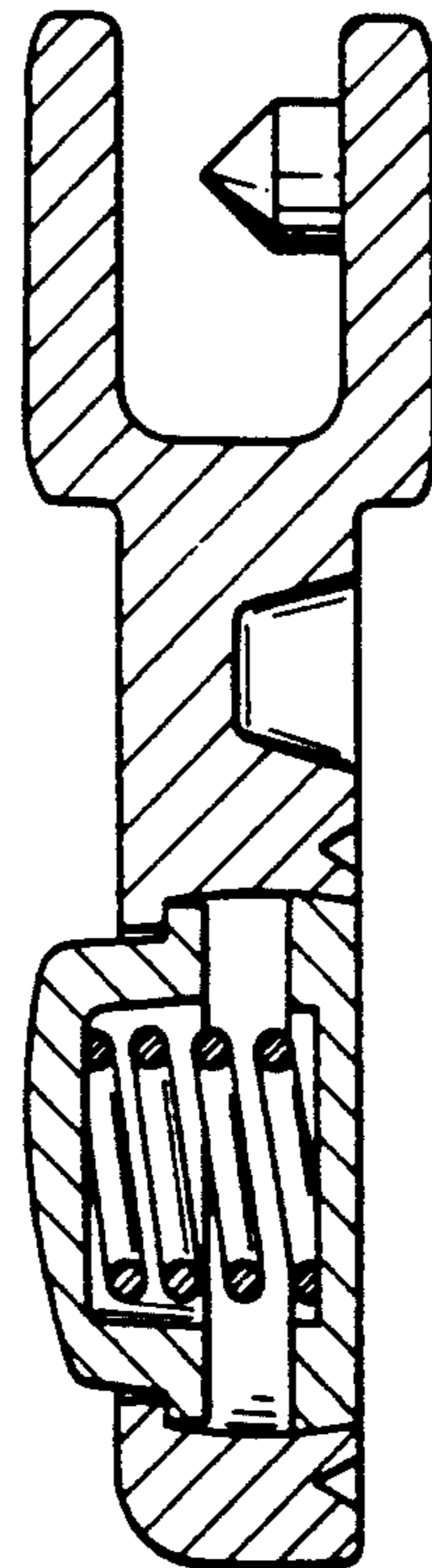


FIG. 13

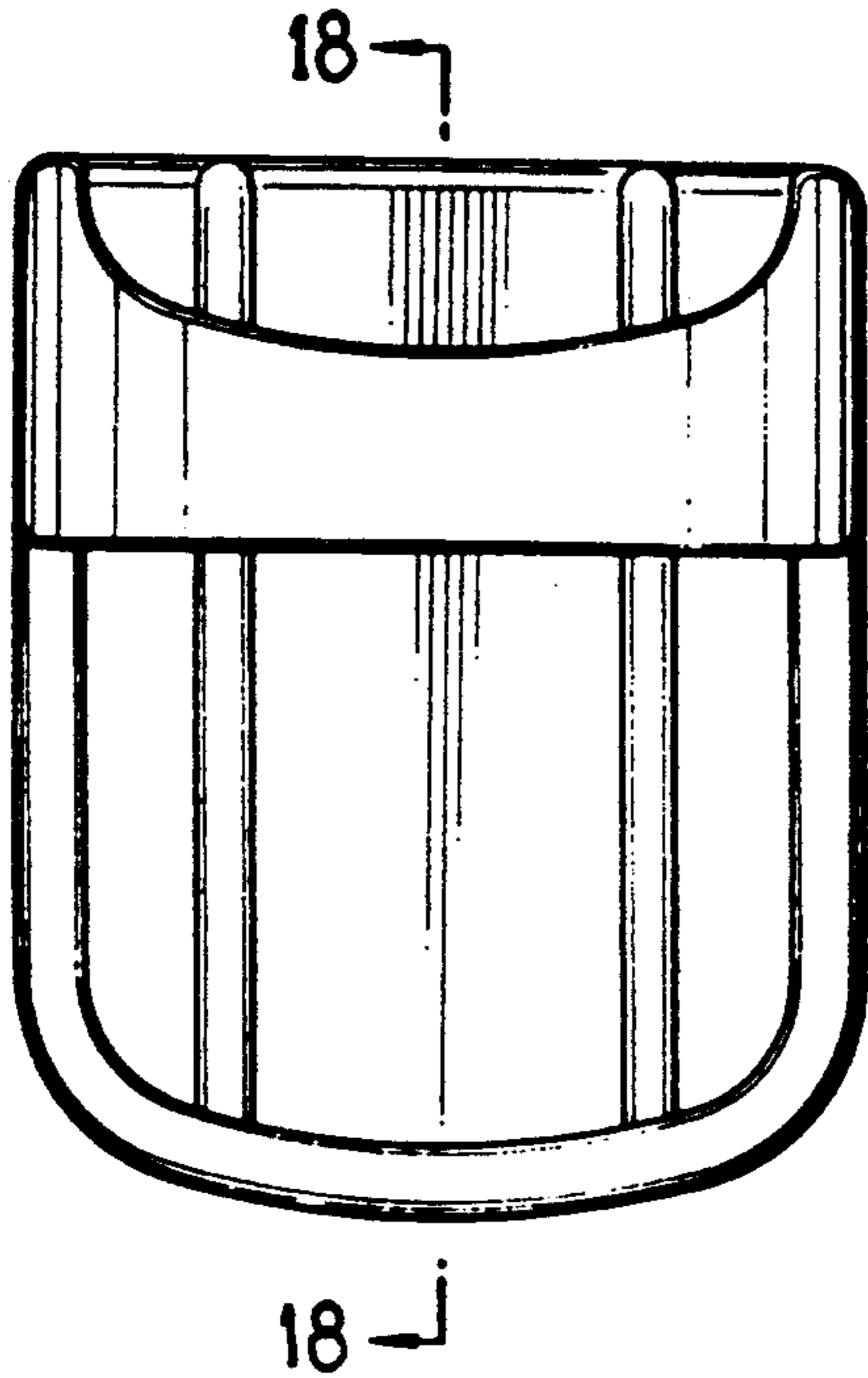


FIG. 14

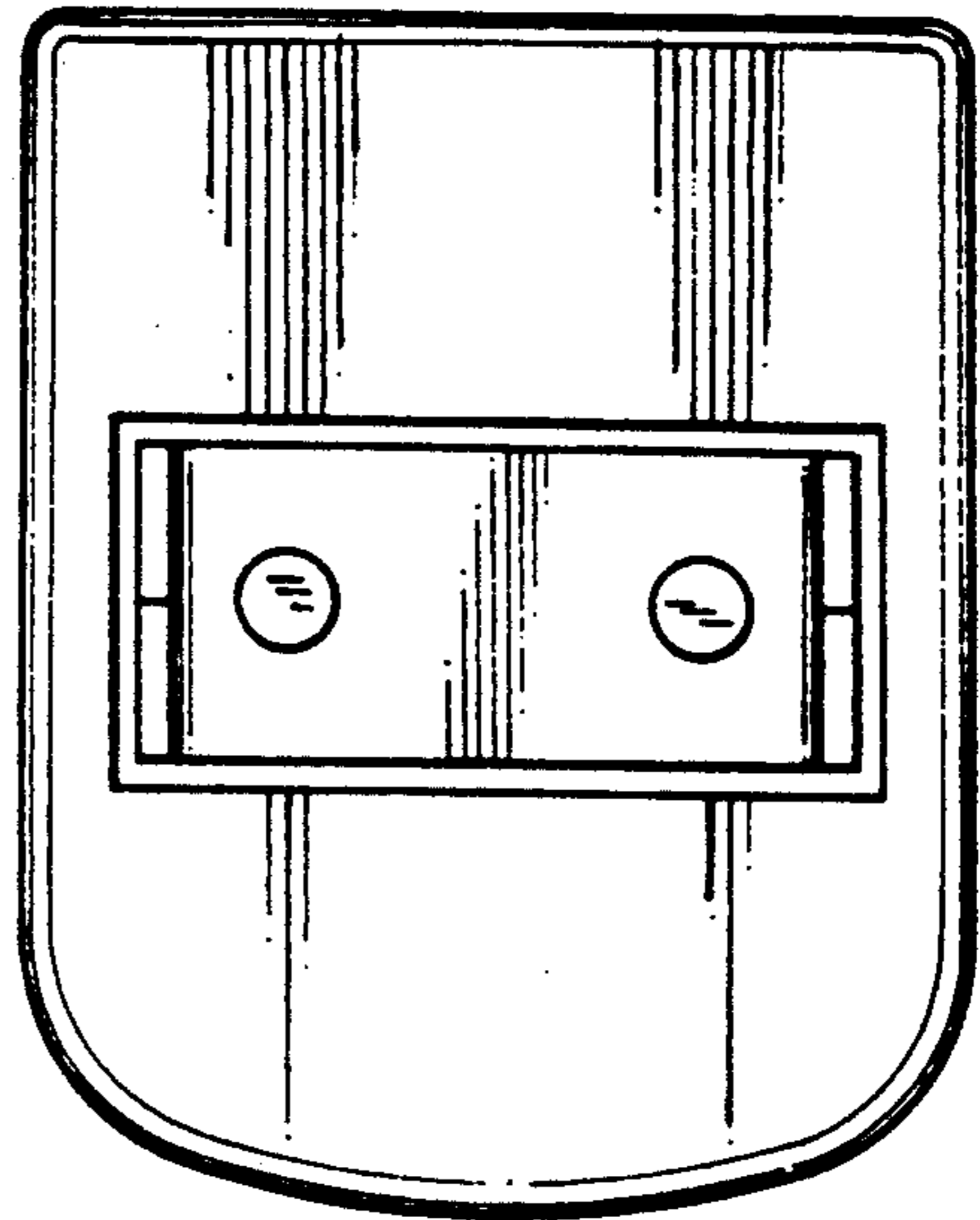


FIG. 15

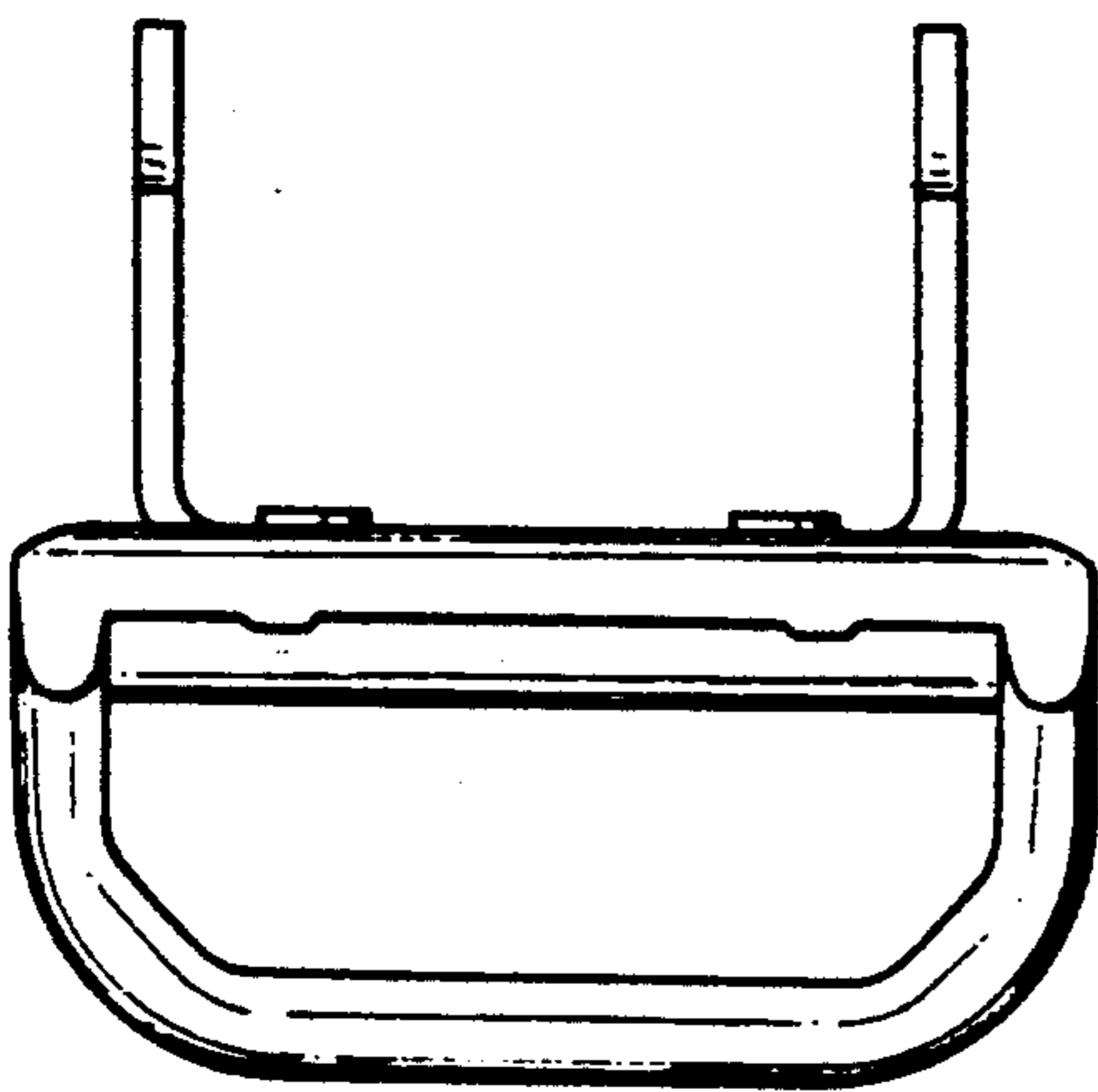


FIG. 16

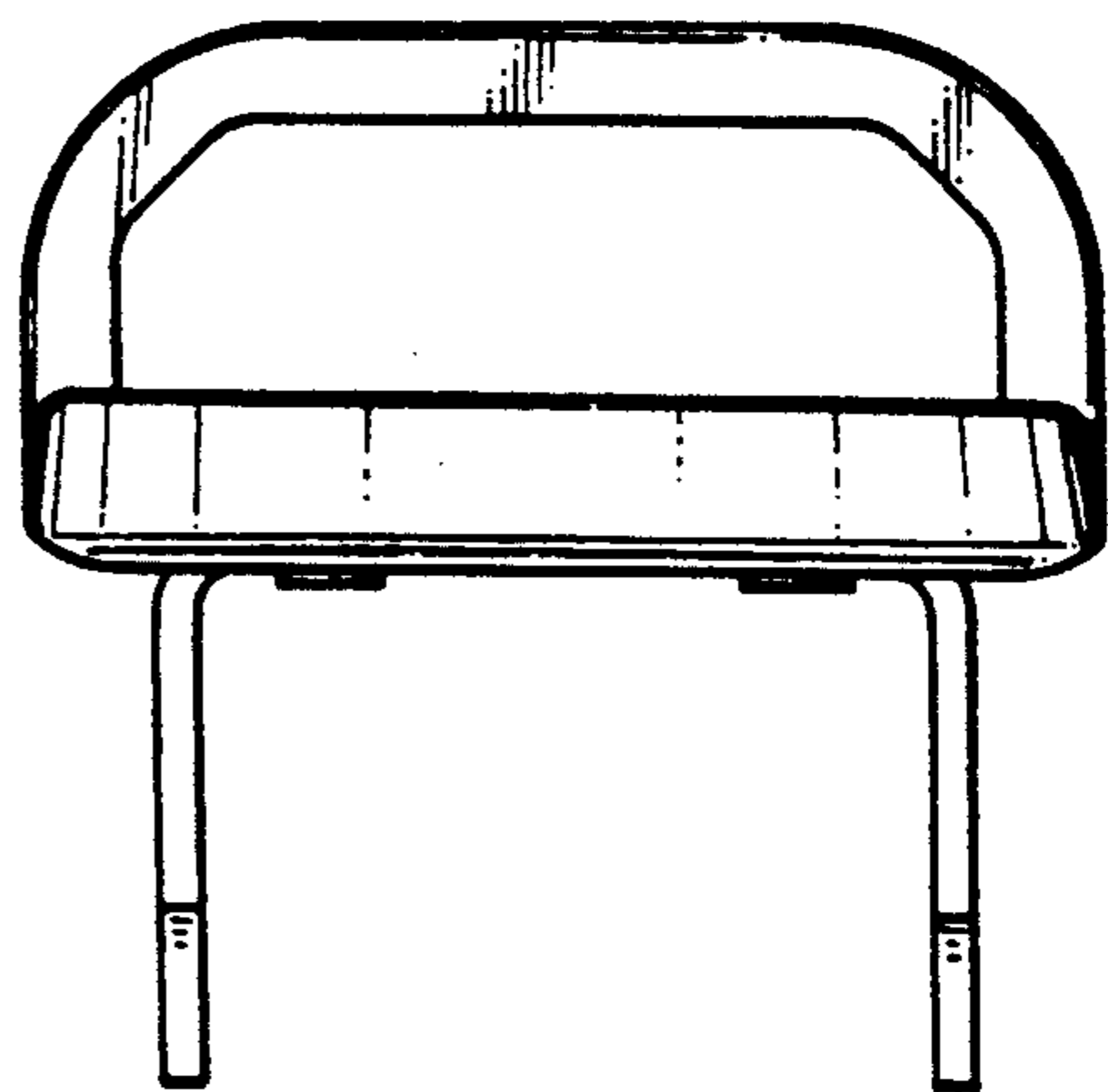


FIG. 17

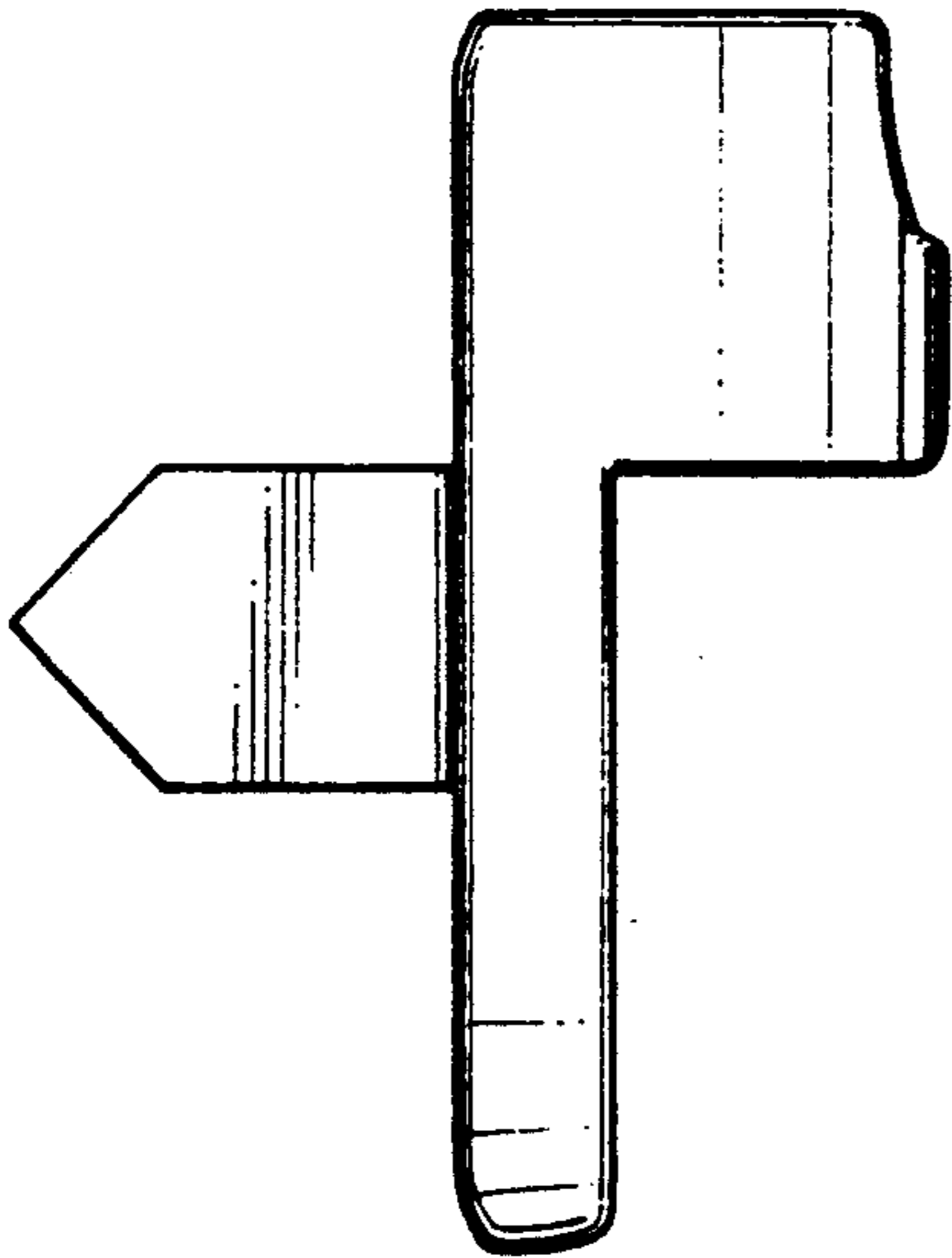


FIG. 18

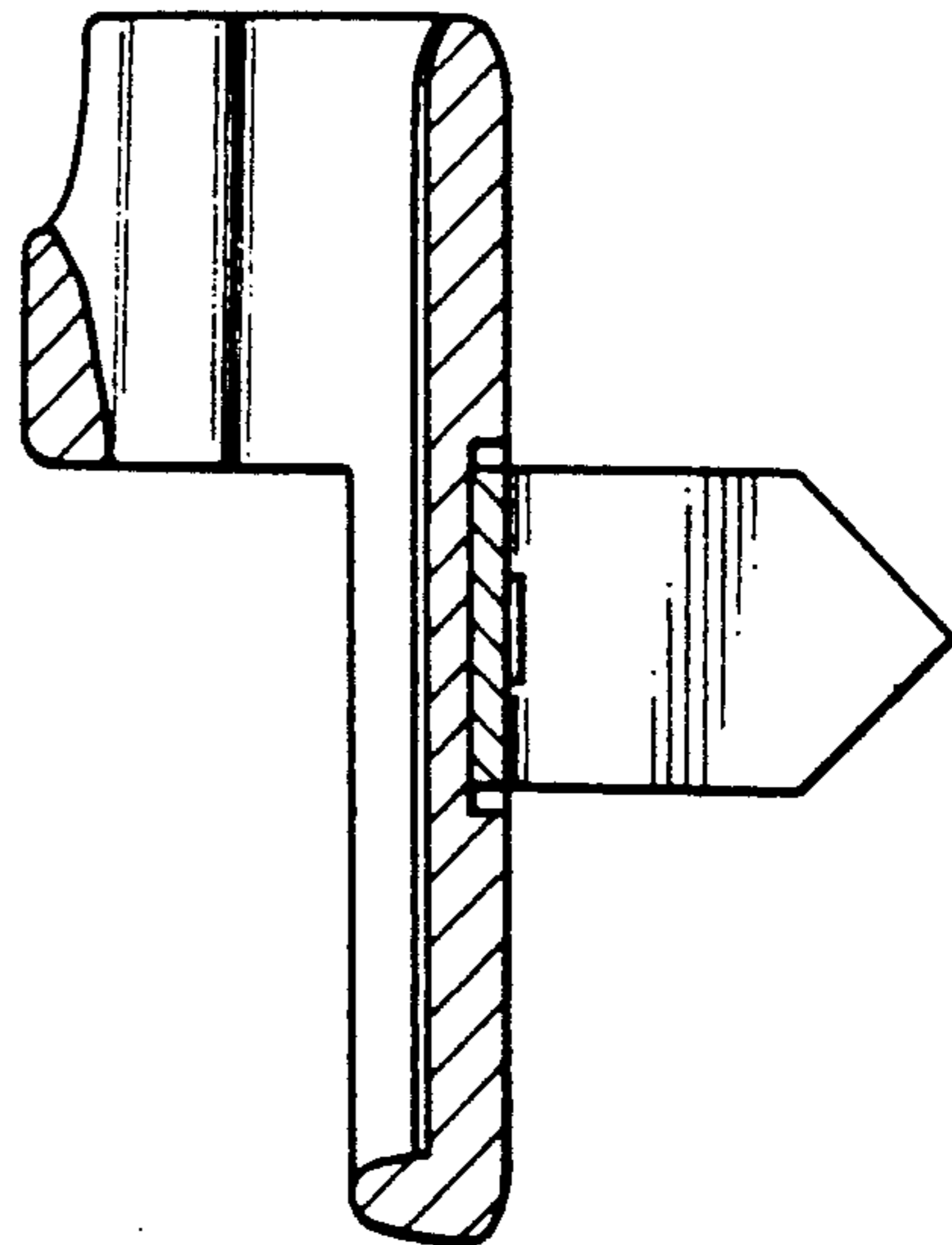
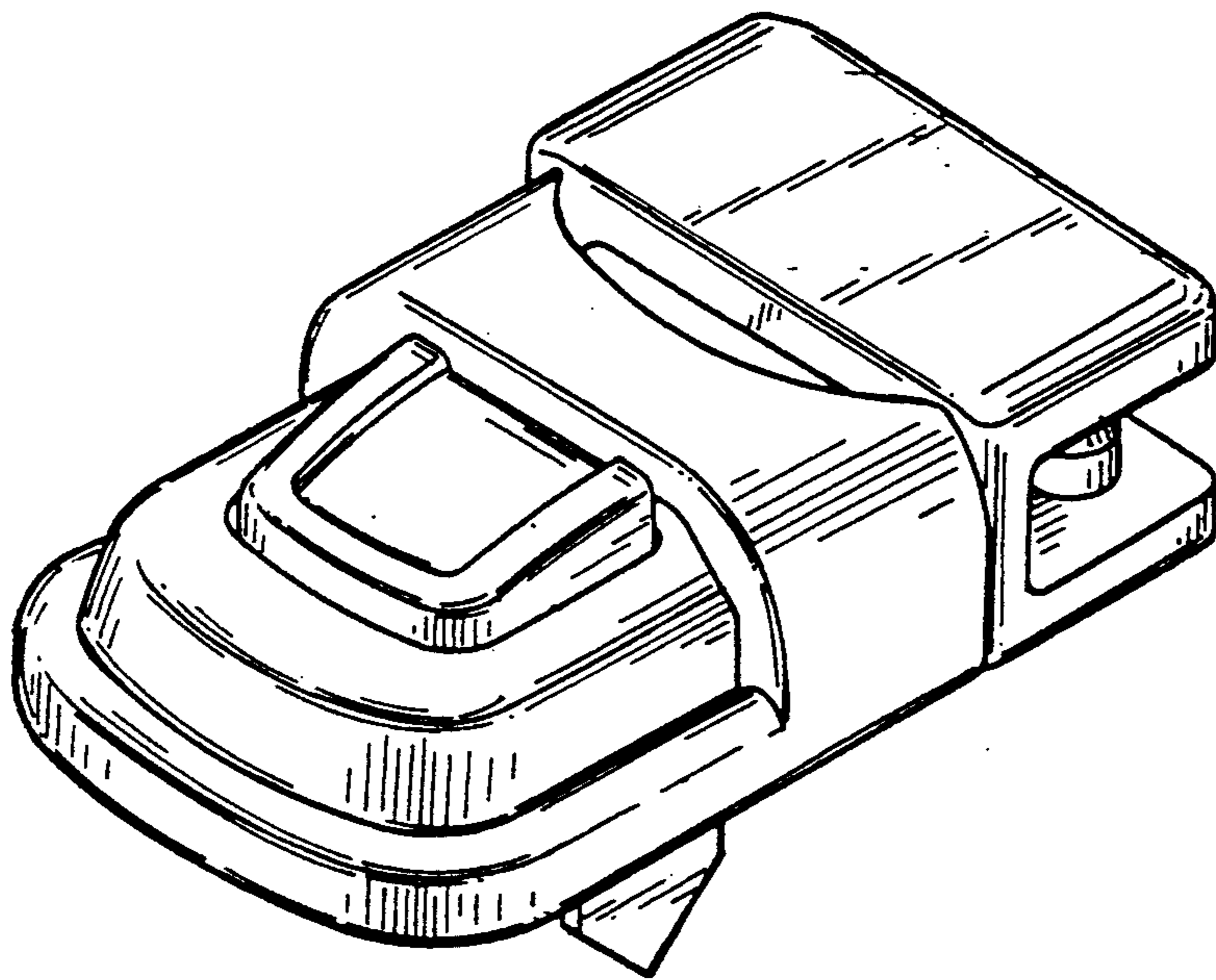


FIG. 19





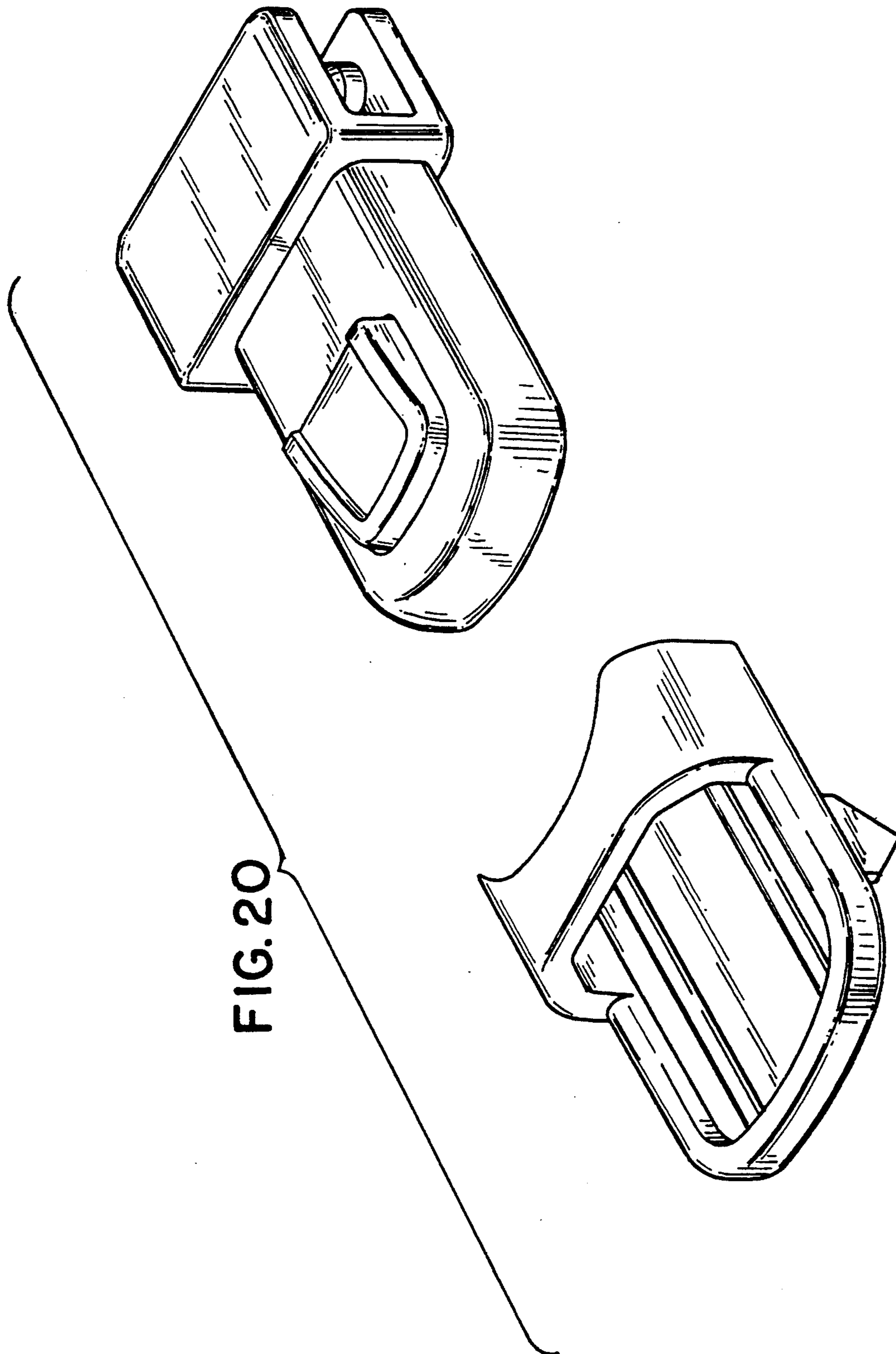


FIG. 20