



US00D340120S

United States Patent [19]

[11] Patent Number: **Des. 340,120**

Rosenstein

[45] Date of Patent: **** Oct. 12, 1993**

[54] **TABLET FOR MAKING A COFFEE BEVERAGE**

4,345,512 8/1982 Moore .
4,746,519 5/1988 Wright .

[76] Inventor: **Howard Rosenstein, 401 SE. 4th St., Cape Coral, Fla. 33990**

FOREIGN PATENT DOCUMENTS

1111304 2/1956 France .

[**] Term: **14 Years**

OTHER PUBLICATIONS

[21] Appl. No.: **683,657**

Drug Trade News magazine, Jan. 4, 1965, p. 34, Tablet, circled at top of page.

[22] Filed: **Apr. 11, 1991**

[52] U.S. Cl. **D1/199**

[58] Field of Search **D1/127, 128, 130, 199; 426/285, 594; D24/100-103**

Primary Examiner—Wallace R. Burke
Assistant Examiner—H. Baynham
Attorney, Agent, or Firm—Terry M. Gernstein

[56] References Cited

[57] CLAIM

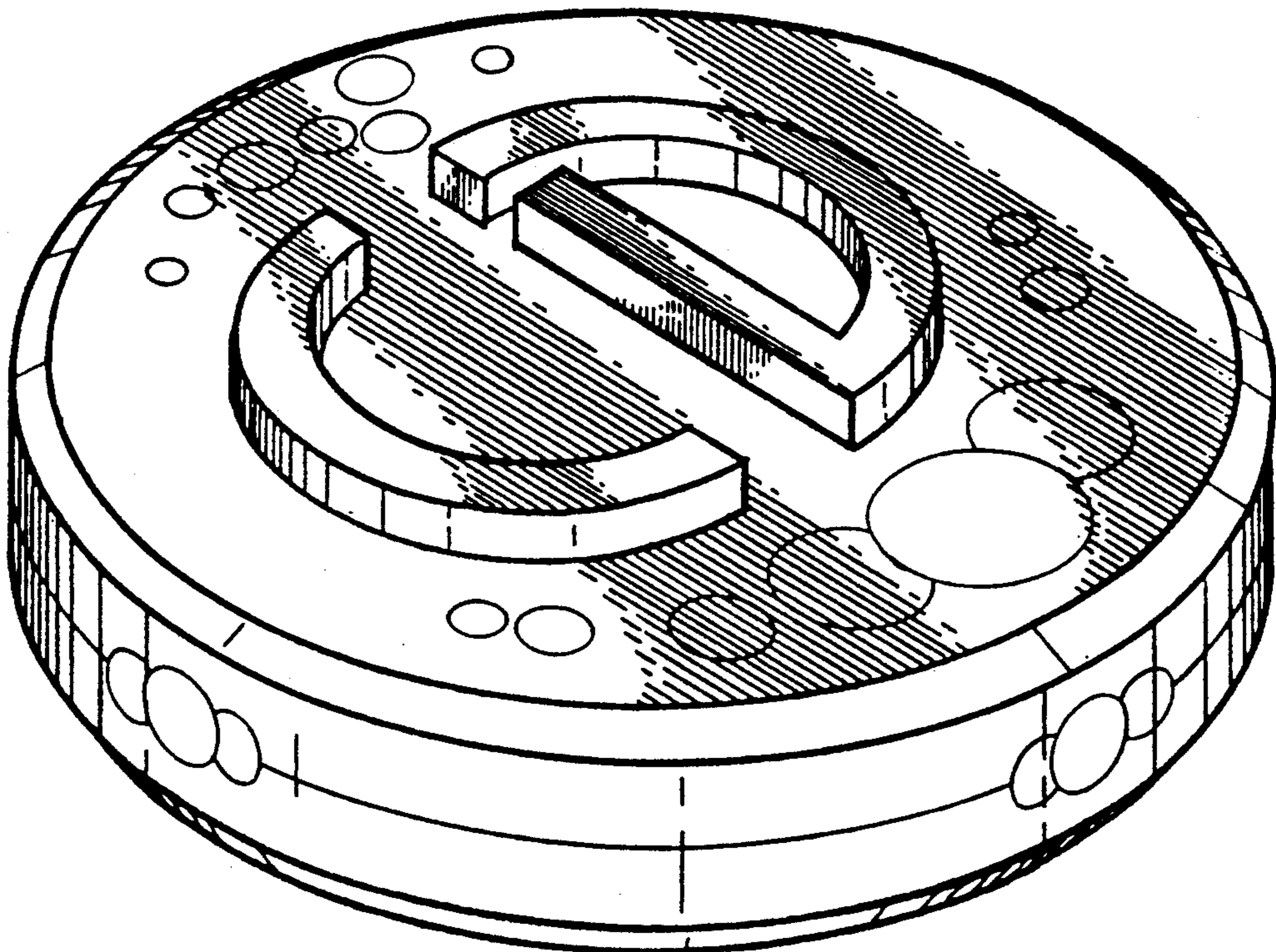
U.S. PATENT DOCUMENTS

The ornamental design for a tablet for making a coffee beverage, as shown and described.

- D. 23,096 3/1894 Harsh D1/127
- D. 49,515 8/1916 Harris D1/127 X
- D. 101,616 10/1936 Burry D1/128
- D. 213,873 4/1969 Bryan D1/199 X
- D. 224,591 8/1972 Roberts D24/103
- D. 269,712 7/1983 Tovey D1/127 X
- D. 288,381 2/1987 Eldred et al. D1/130 X
- D. 301,637 6/1989 Tovey D24/101
- 1,367,568 2/1921 Smith .
- 3,125,490 3/1964 Hershberg D1/127 X
- 3,587,590 6/1971 Hastings D1/127 X
- 4,275,646 6/1981 Barna .
- 4,306,492 12/1981 Zimmermann .

DESCRIPTION

FIG. 1 is a perspective view of the tablet for making a coffee beverage embodying the design of the present invention;
FIG. 2 is a front elevational view thereof;
FIG. 3 is a rear elevational view thereof;
FIG. 4 is a side elevational view thereof;
FIG. 5 is an opposite side elevational view thereof;
FIG. 6 is a top plan view thereof; and,
FIG. 7 is a bottom view thereof.



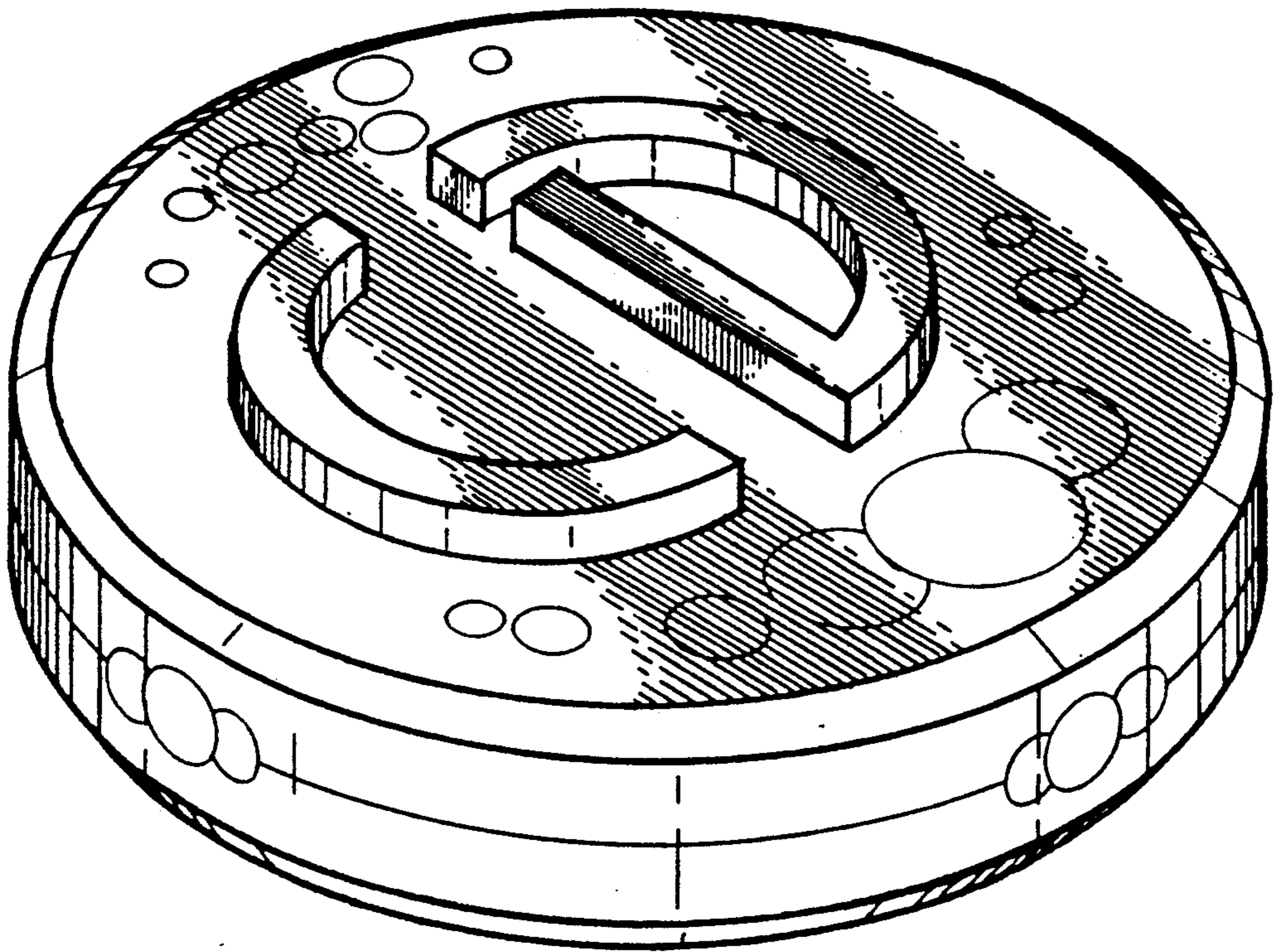


FIG.1

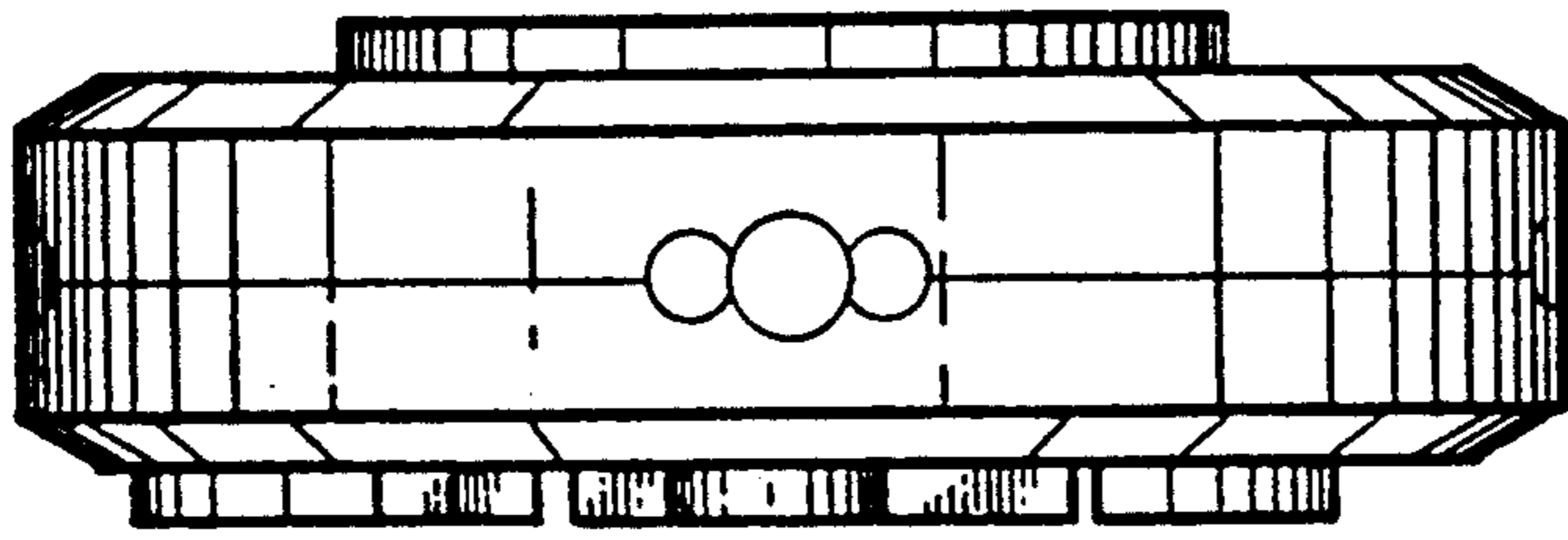


FIG. 2

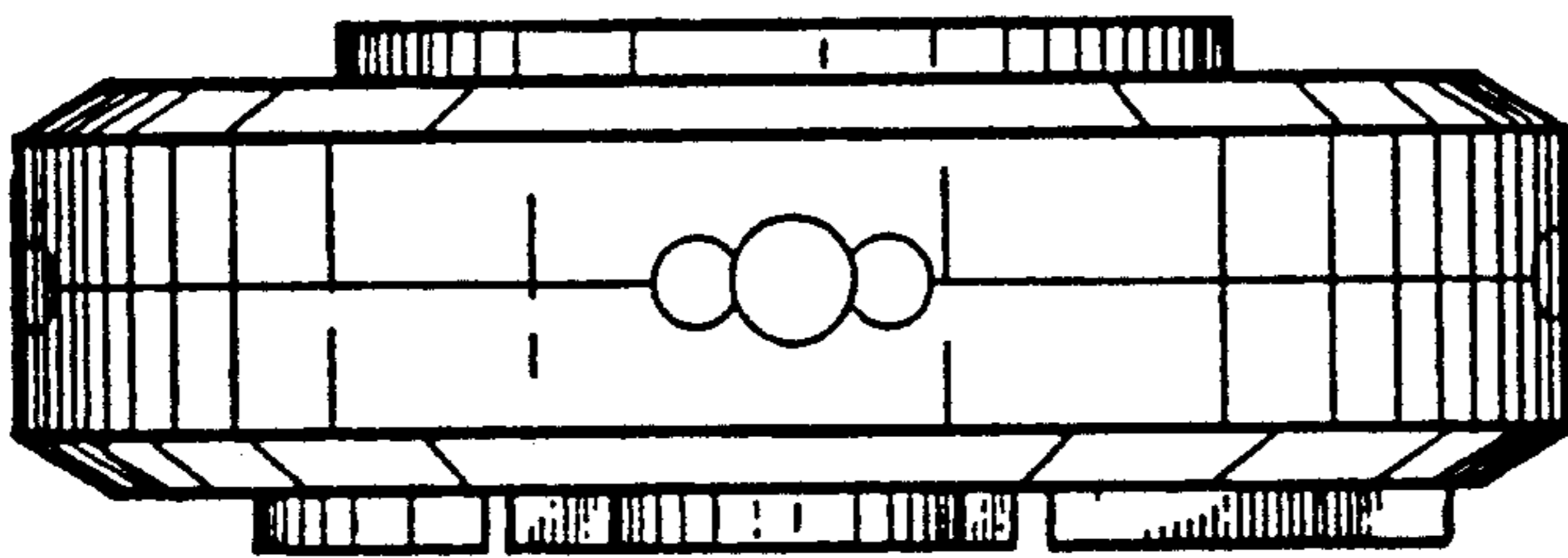


FIG. 3

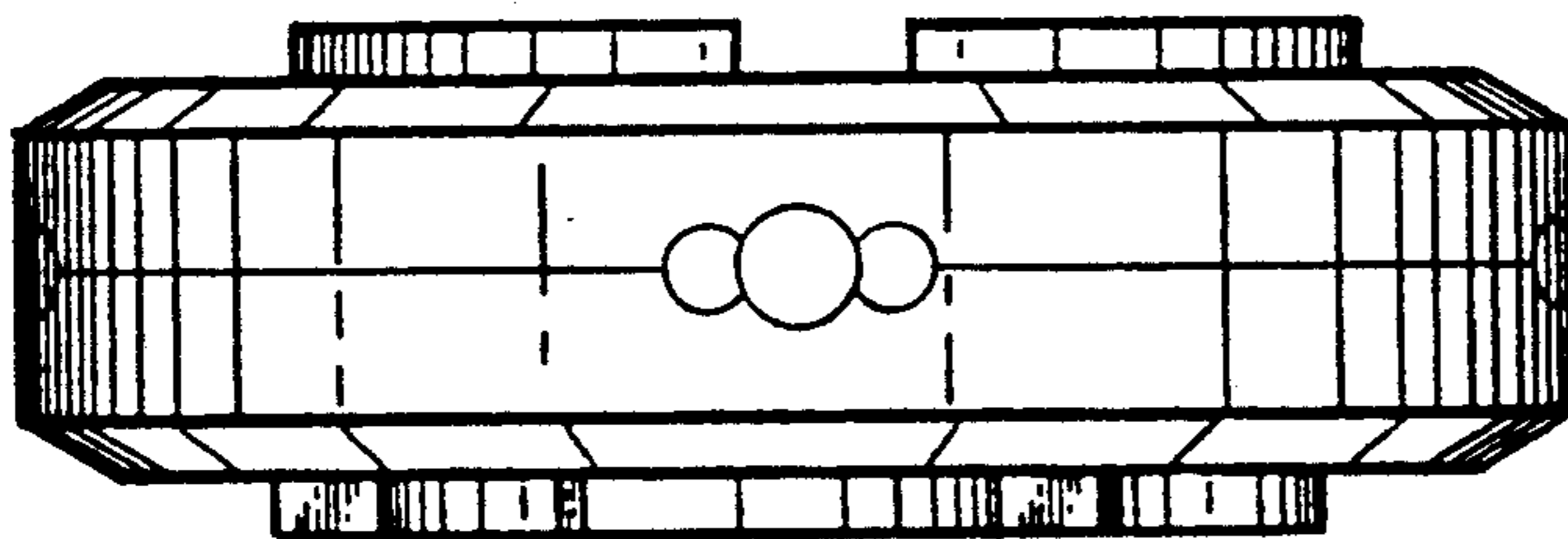


FIG. 4

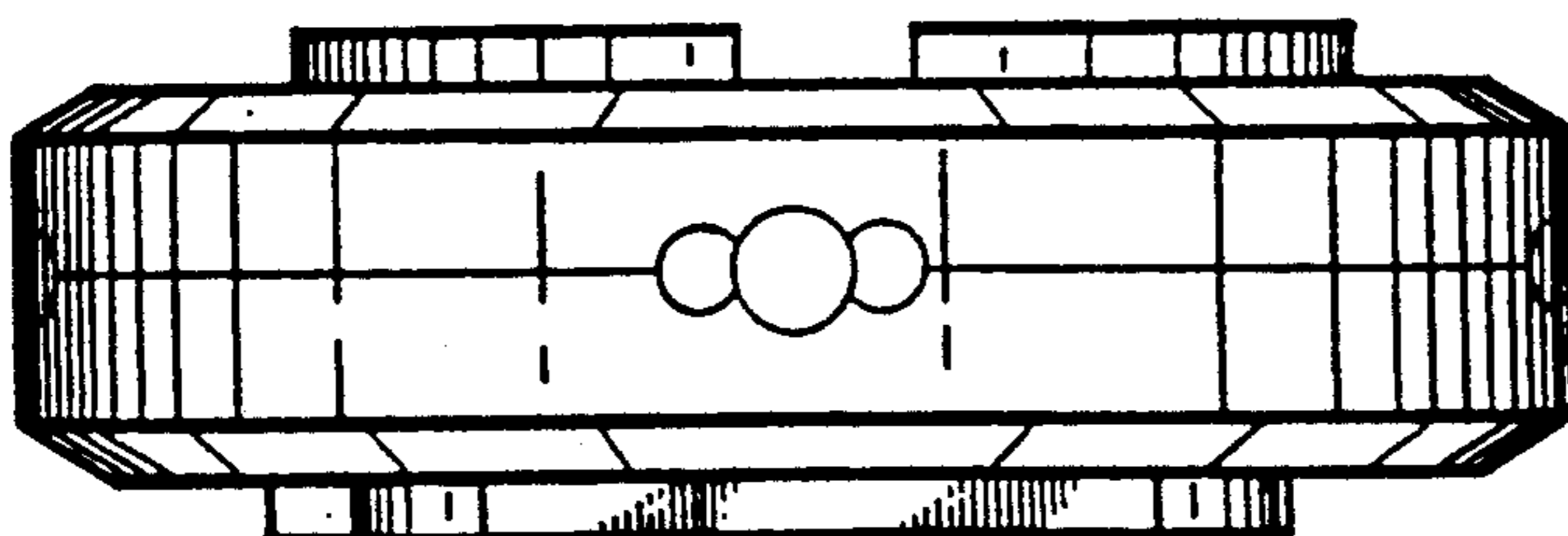


FIG. 5

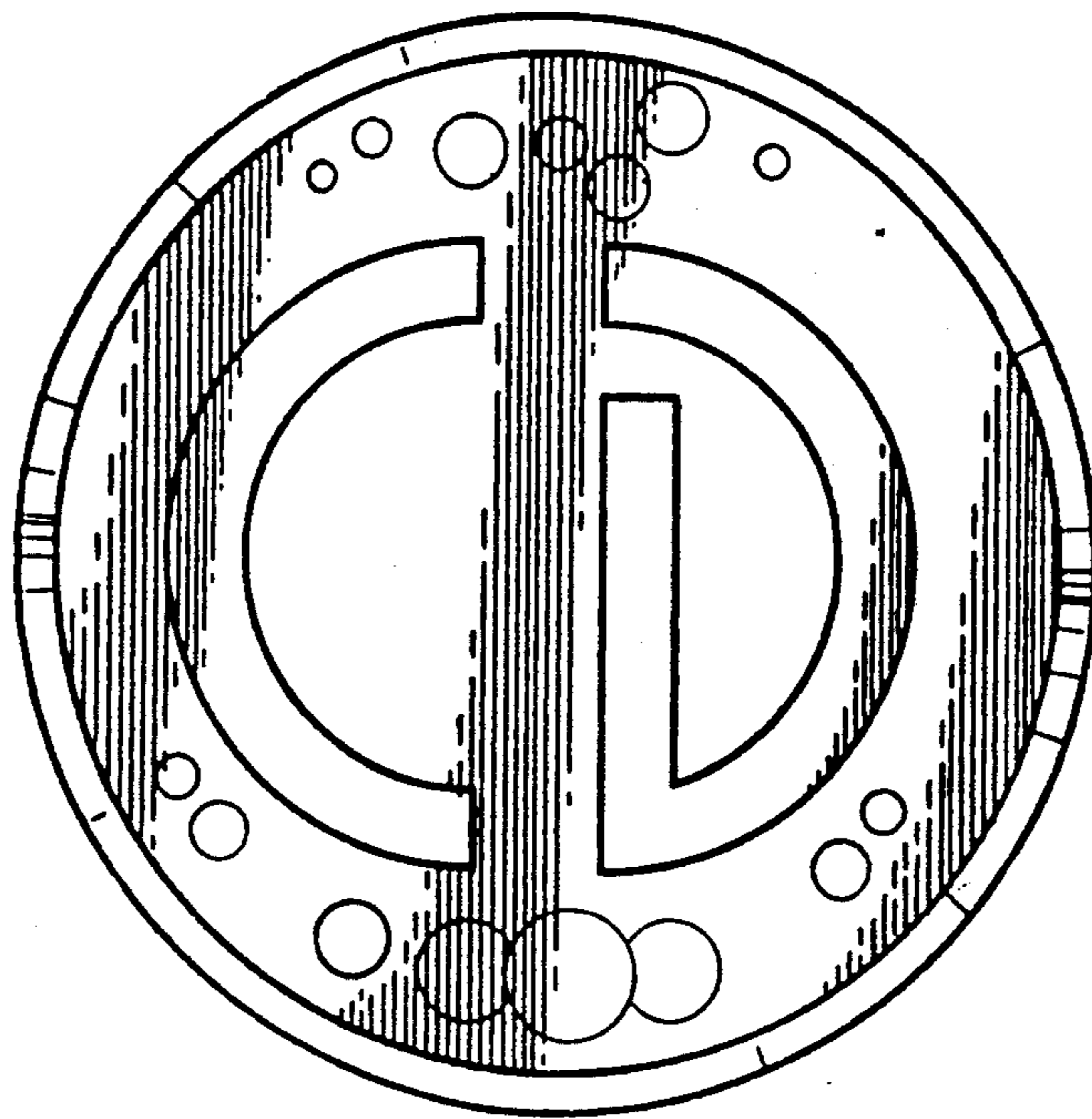


FIG. 6

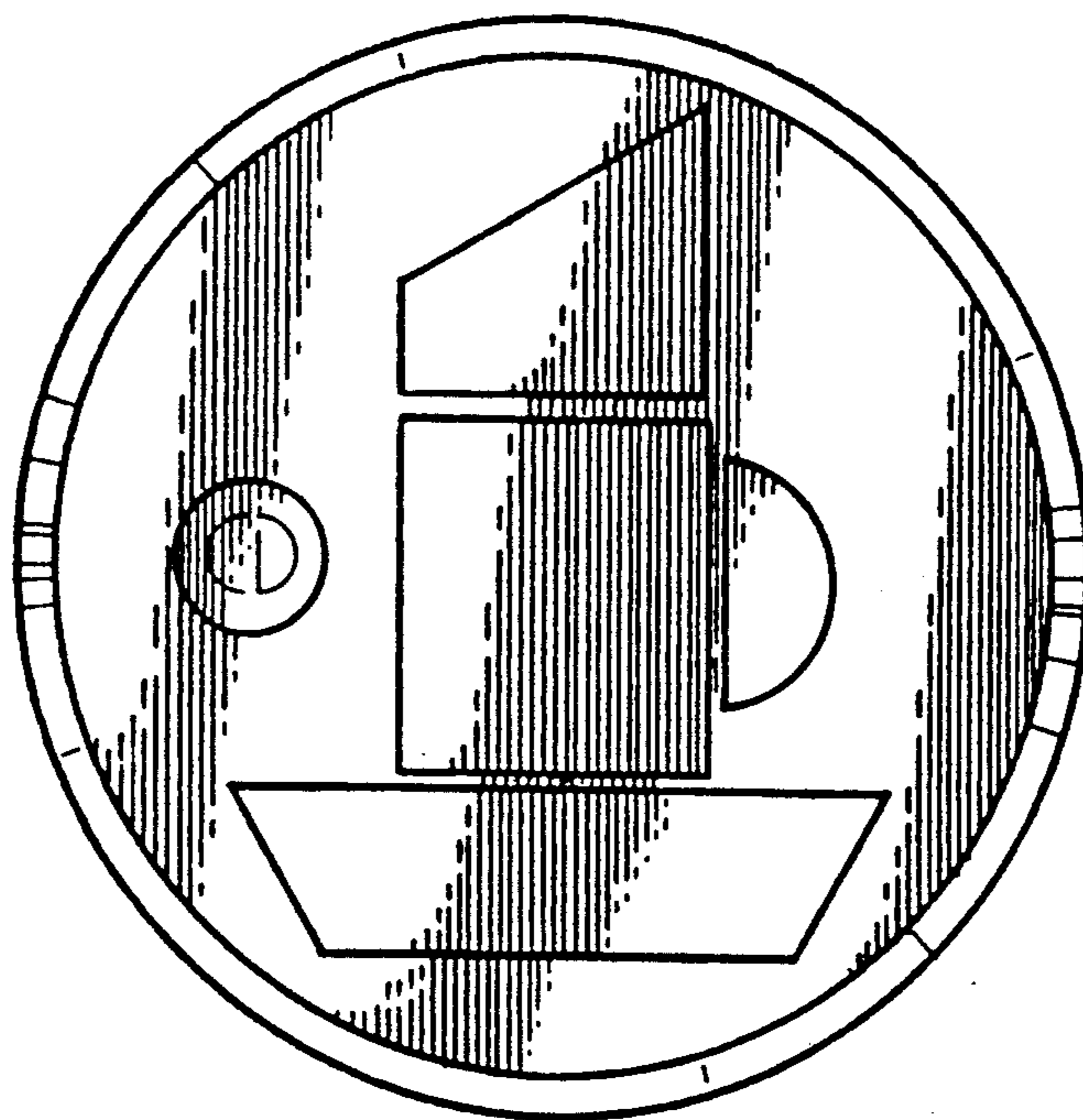


FIG. 7