



US00D340108S

United States Patent [19]

[11] Patent Number: **Des. 340,108**

Spolar

[45] Date of Patent: **** Oct. 5, 1993**

[54] SHOTSHELL RELOADER ACTUATOR

D. 265,677	8/1982	O'Connell	D22/199
D. 271,493	11/1983	McMullen	D15/7
4,087,210	5/1978	Suechting	417/401
4,343,222	8/1982	Dillon	86/43 X

[76] Inventor: **Carter A. Spolar**, 17376 Filbert, Fontana, Calif. 92335

[**] Term: **14 Years**

Primary Examiner—A. Hugo Word
Assistant Examiner—Doris V. Coles
Attorney, Agent, or Firm—Stetina and Brunda

[21] Appl. No.: **801,835**

[57] **CLAIM**

[22] Filed: **Dec. 3, 1991**

The ornamental design for the shotgun reloader actuator, as shown and described.

[52] U.S. Cl. **D22/199**

[58] Field of Search D22/108, 116, 199;
D8/330; D15/7; 254/93; 417/390, 401, 442,
454; 86/19, 30, 43, 45, 27, 23, 28, 31, 33, 36;
D34/31

DESCRIPTION

[56] **References Cited**

U.S. PATENT DOCUMENTS

D. 143,168	12/1945	Rockwell	D34/31
D. 247,784	4/1978	Lee	D22/199

FIG. 1 is a front perspective view of the shotgun reloader actuator of the present invention showing my new design; FIG. 2 is a rear perspective view thereof; and, FIG. 3 is a front elevational view thereof, the base of the shotgun reloader actuator of the present invention being plain and unadorned.

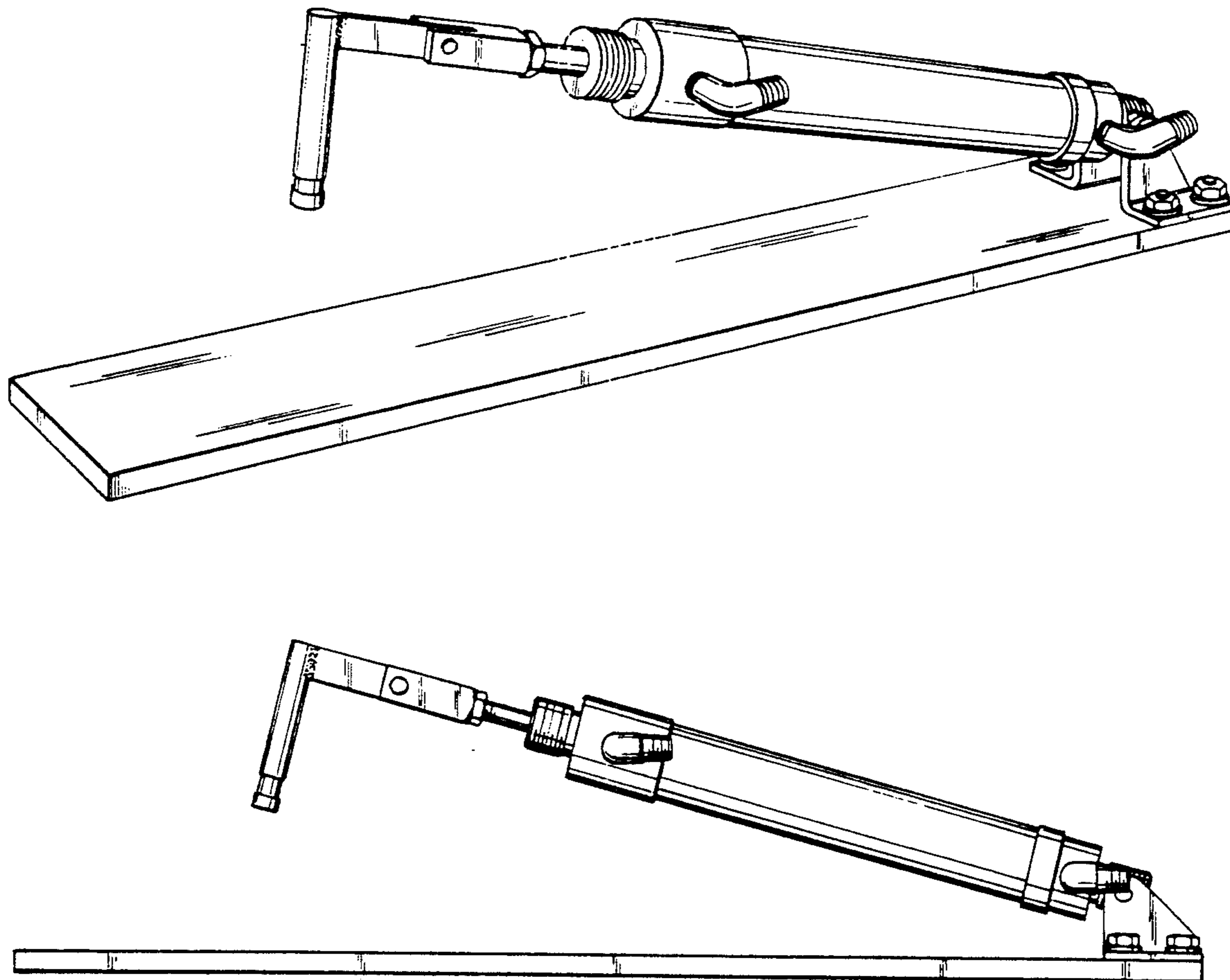


Fig. 1

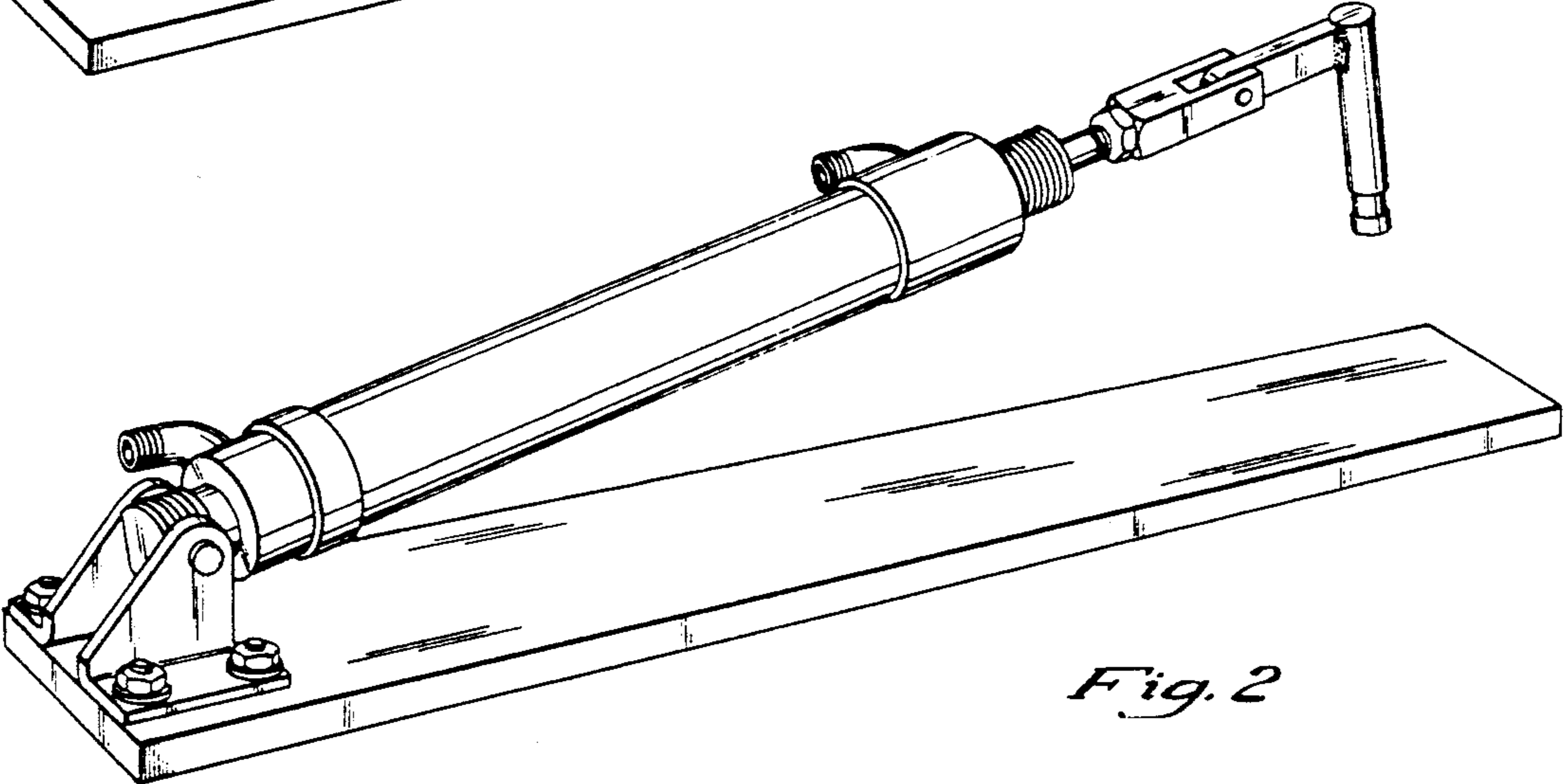
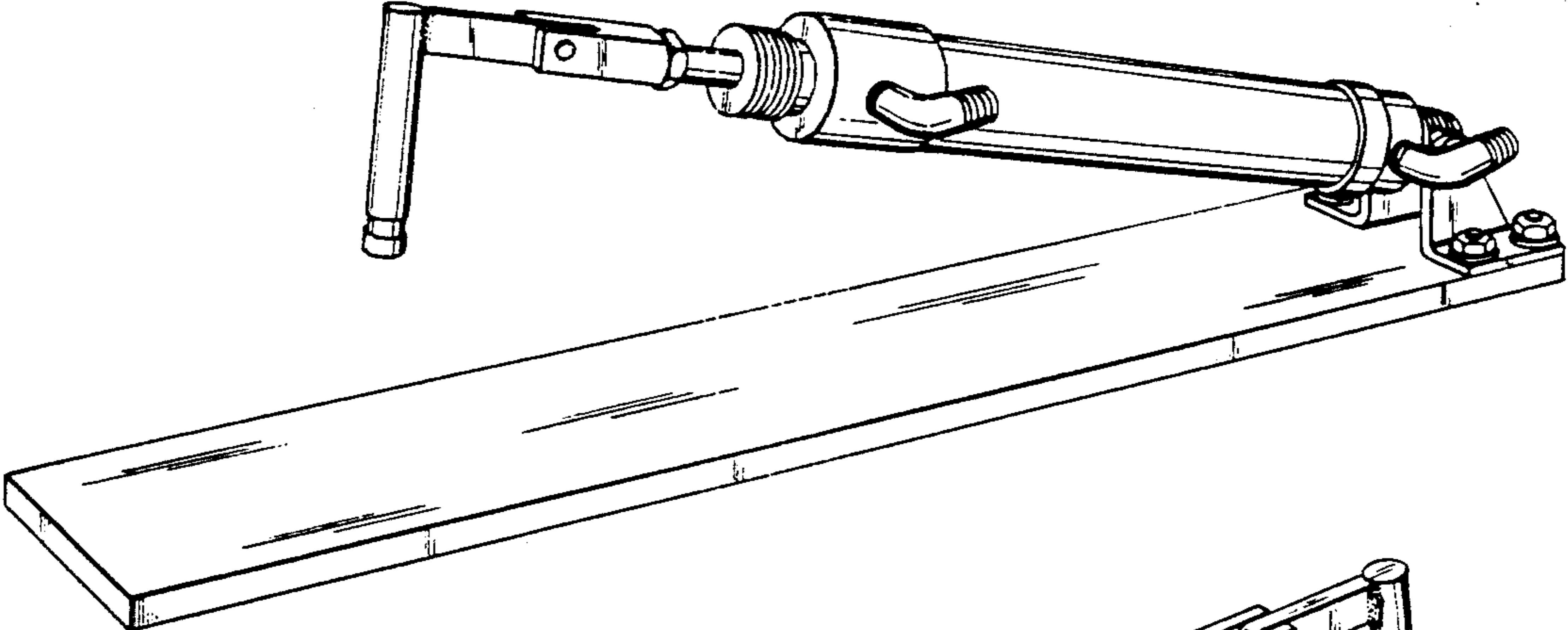


Fig. 2

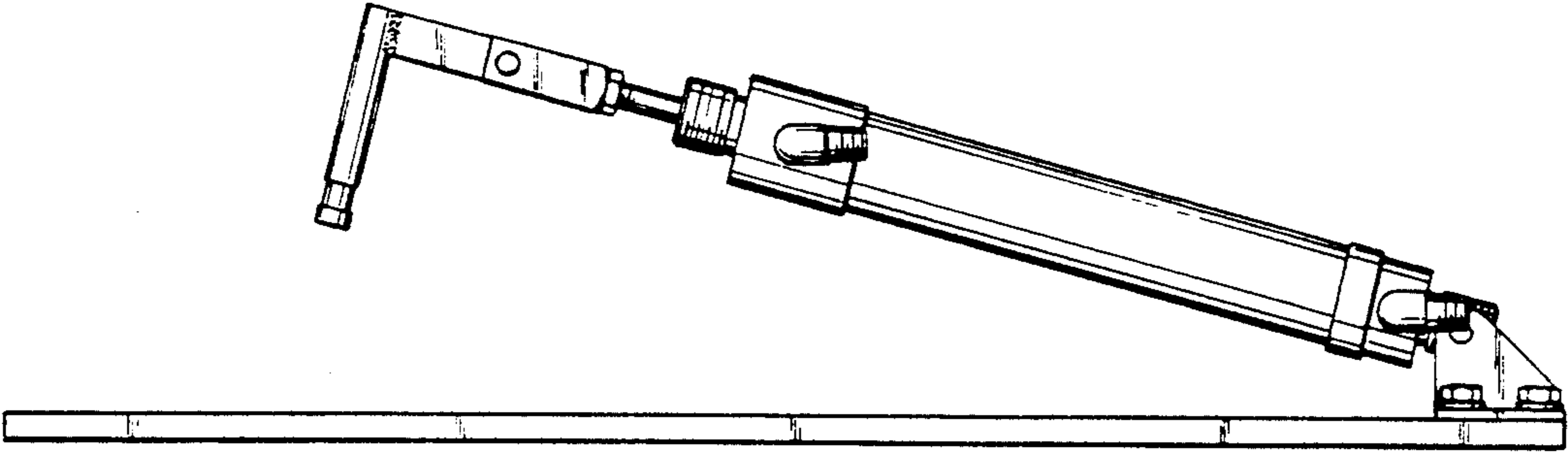


Fig. 3