



US00D340103S

United States Patent [19]

Nolan

[11] Patent Number: **Des. 340,103**

[45] Date of Patent: **** Oct. 5, 1993**

- [54] **TWO-PIECE TIRE SWING SEAT**
- [75] Inventor: **Robert J. Nolan**, Columbus, Miss.
- [73] Assignee: **Par Industries, Inc.**, Medina, Ohio
- [**] Term: **14 Years**
- [21] Appl. No.: **916,417**
- [22] Filed: **Jul. 20, 1992**
- [52] U.S. Cl. **D21/246**
- [58] Field of Search **D21/246, 240, 242, 243;**
472/118-125; 482/35

Quality Industries Inc. Cat. #882, 1981 ©, p. 14, Tire Swing.
Sunset Books, 1986 ©, p. 89, as shown.

Primary Examiner—Bernard Ansher
Assistant Examiner—Prabhakar Deshmukh
Attorney, Agent, or Firm—Renner, Kenner, Greive,
Bobak, Taylor & Weber

[57] **CLAIM**

The ornamental design for a two-piece tire swing seat, as shown and described.

DESCRIPTION

FIG. 1 is a perspective view of a two-piece tire swing seat showing my new design;
FIG. 2 is a bottom plan view thereof;
FIG. 3 is a top plan view thereof;
FIG. 4 is a front elevational view thereof, the rear elevational view thereof being a mirror image of that shown;
FIG. 5 is a side elevational view thereof, the opposite side being a mirror image of that shown; and,
FIG. 6 is a cross section taken substantially along line 6-6 of FIG. 4.
The broken line showing of a support is for illustrative purpose only and forms no part of the claimed design.

- [56] **References Cited**
- U.S. PATENT DOCUMENTS**
- D. 226,489 3/1973 Kimble D21/246
- D. 256,149 7/1980 Beller D21/246
- D. 259,652 6/1981 Ahrens D21/246
- 1,596,071 8/1926 Spross D21/246 X
- 3,186,711 6/1965 Morrow 472/118
- 3,191,932 6/1965 Brilz 472/118
- OTHER PUBLICATIONS**
- Gym-Dandy CBS Toys, Oct. 1985, Tire Swing item No. 33.
- Sunset Books, 1986 © p. 88, as shown.

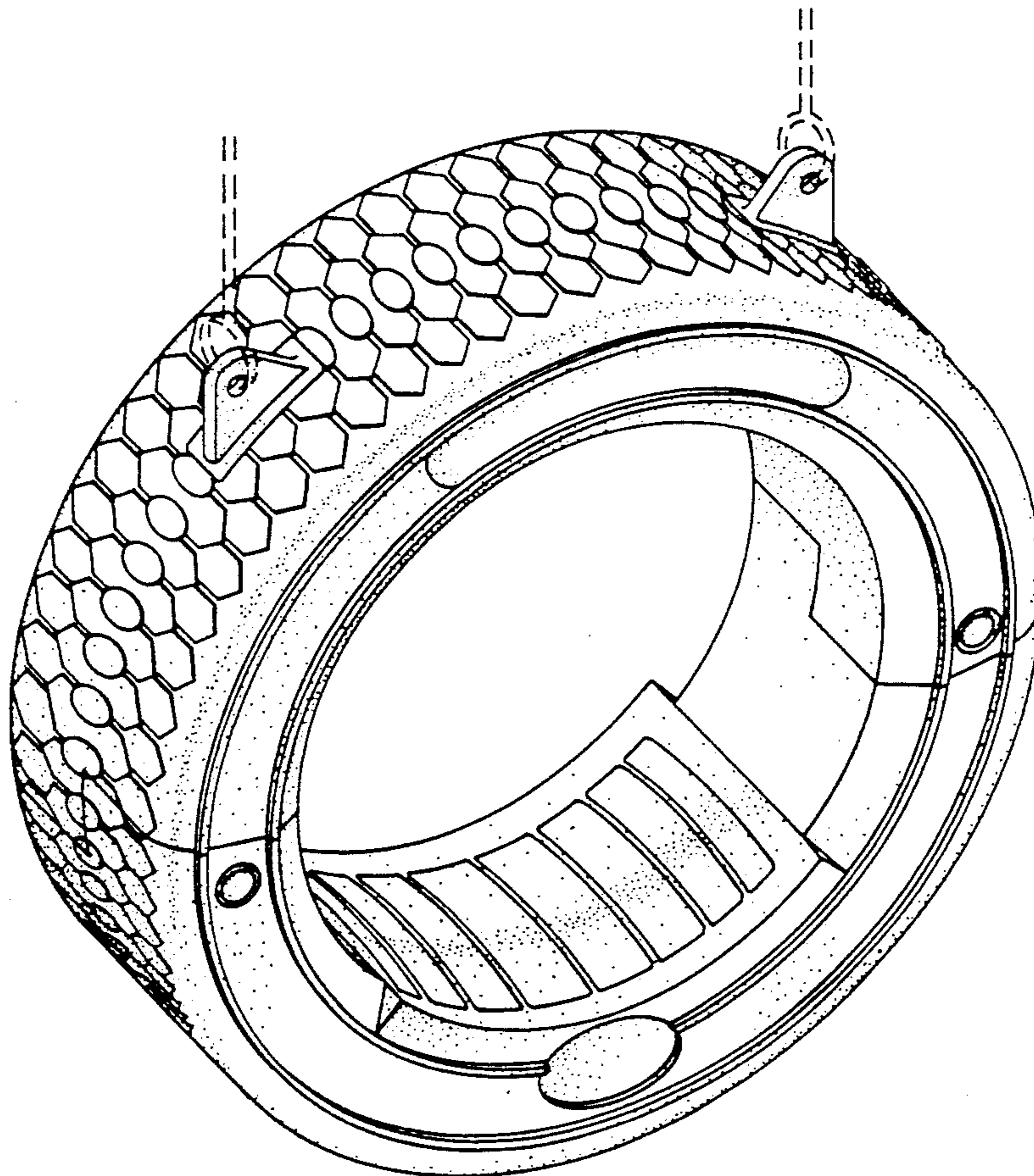


FIG. 1

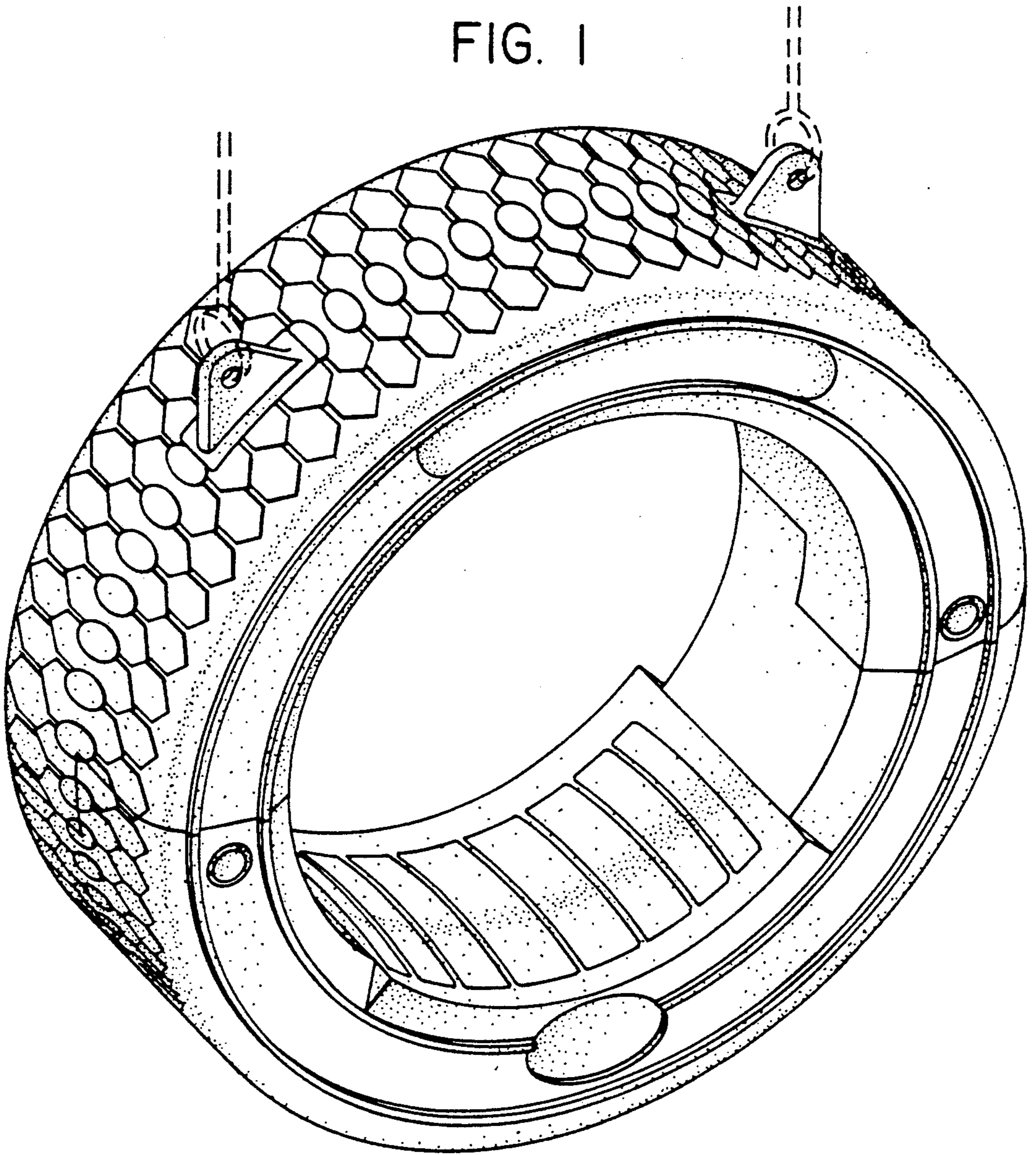


FIG. 2

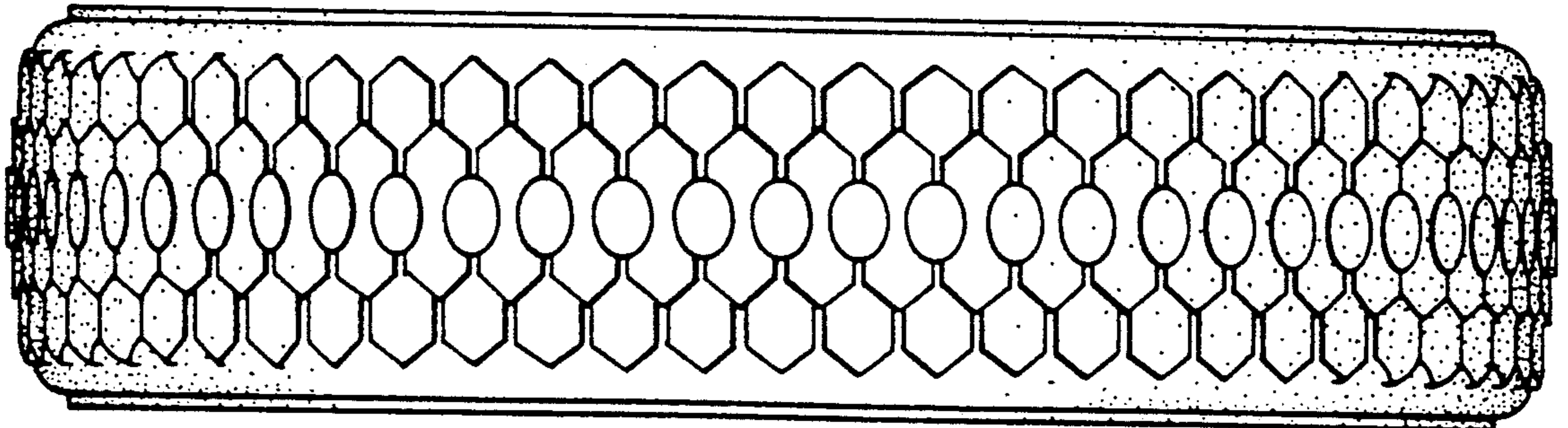


FIG. 3

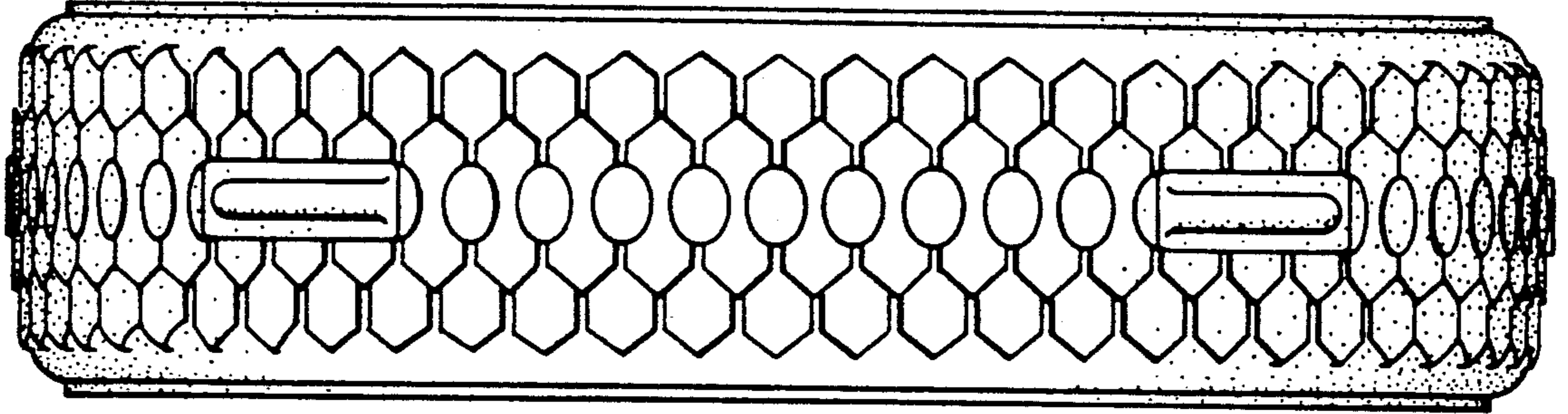


FIG. 4

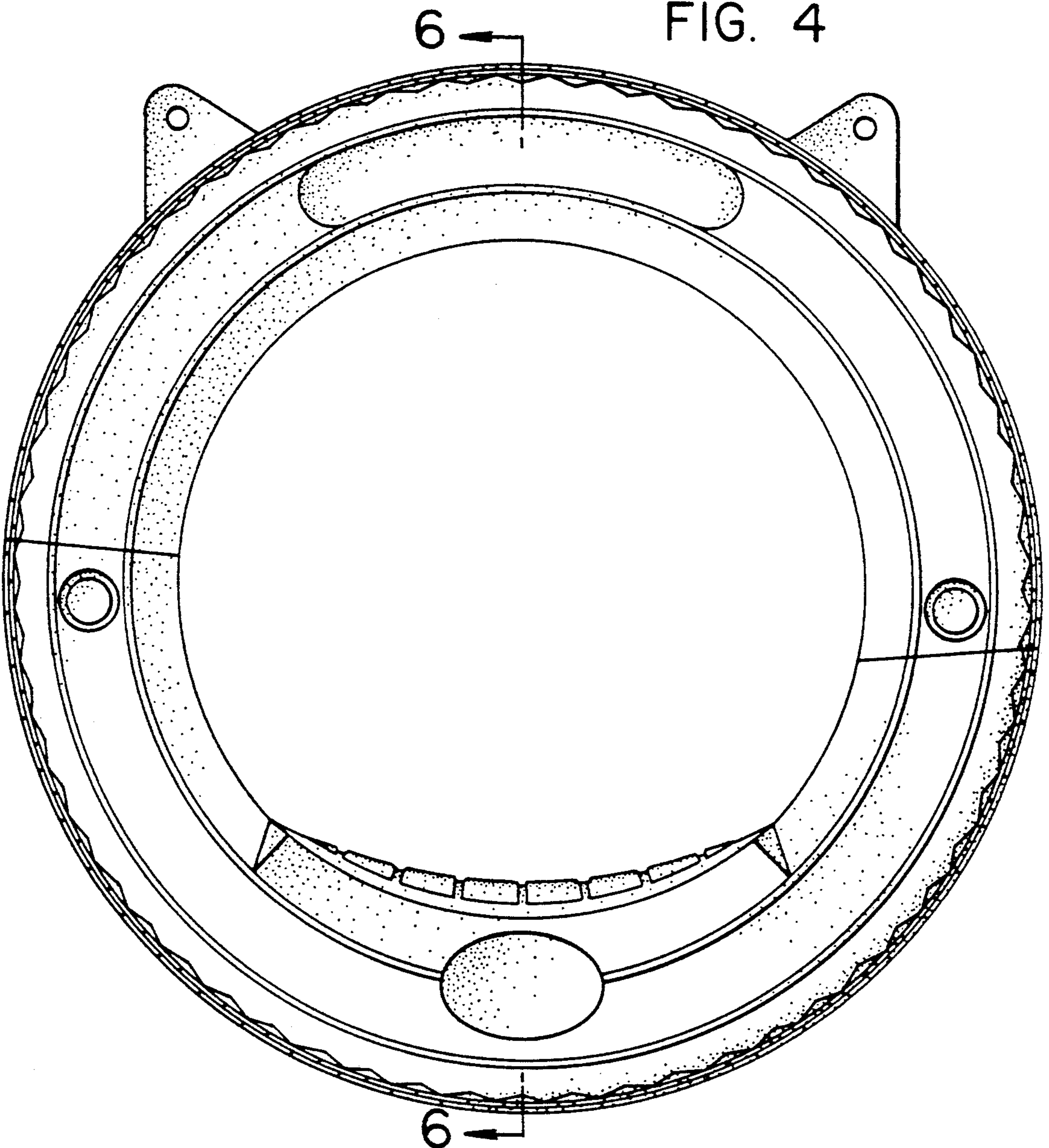


FIG. 5

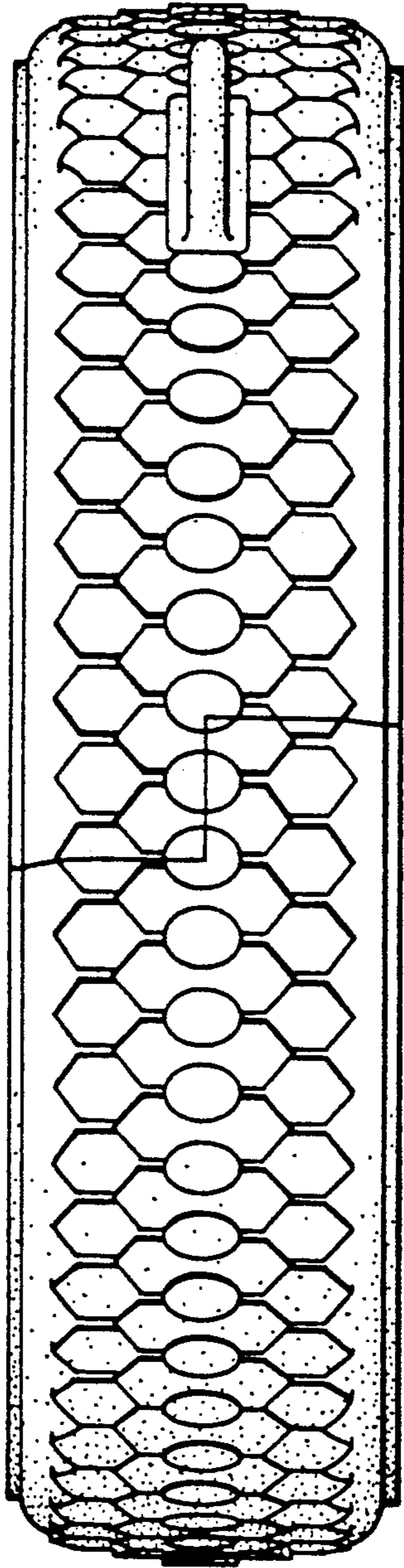


FIG. 6

