



US00D340102S

United States Patent [19]

[11] Patent Number: **Des. 340,102**

Warren

[45] Date of Patent: **** Oct. 5, 1993**

[54] **COMBINED SLIDE AND CLIMBER**

[75] Inventor: **Mitchell R. Warren, Charlotte, N.C.**

[73] Assignee: **Restaurant Technology, Inc., Oak Brook, Ill.**

[**] Term: **14 Years**

[21] Appl. No.: **830,269**

[22] Filed: **Feb. 4, 1992**

[52] U.S. Cl. **D21/244**

[58] Field of Search **D21/240-252;**
472/48, 116, 117, 126, 137; 446/20, 168, 431;
482/35, 37, 68

4,546,965 10/1985 Baxter et al. .
4,620,843 11/1986 Higginbotham, Sr. et al. .
4,630,819 12/1986 Levin .
5,031,897 7/1991 Zalesak 472/116

OTHER PUBLICATIONS

Miracle Recreation Equpt. Co. 1972, p. 93 as shown.
American Weekly, Sep. 1959, p. 8, as shown.
Mexico Forge, 1984, p. 30, top slide.

Primary Examiner—Bernard Ansher
Assistant Examiner—Prabhakar Deshmukh
Attorney, Agent, or Firm—Jenner & Block

[57] CLAIM

The ornamental design for a combined slide and climber, as shown and described.

DESCRIPTION

FIG. 1 is a perspective view of a combined slide and climber showing my new design;
FIG. 2 is a top plan view thereof;
FIG. 3 is a right side elevation view thereof that is a mirror image of the left side elevation view thereof;
FIG. 4 is a front elevation view thereof; and,
FIG. 5 is a rear elevation view thereof.
The bottom is plain and unornamented.

[56] References Cited

U.S. PATENT DOCUMENTS

D. 217,486 5/1970 McHugh D21/243
D. 328,326 7/1992 Kuan D21/244
2,620,185 12/1952 Harding 472/116 X
3,192,663 7/1965 Kirschner 446/168
3,472,509 9/1967 Flynn .
3,572,698 3/1971 Greenly .
3,814,416 6/1974 Munger et al. .
4,189,149 2/1980 Katsiaficas .
4,369,965 1/1983 Ahrens D21/244 X

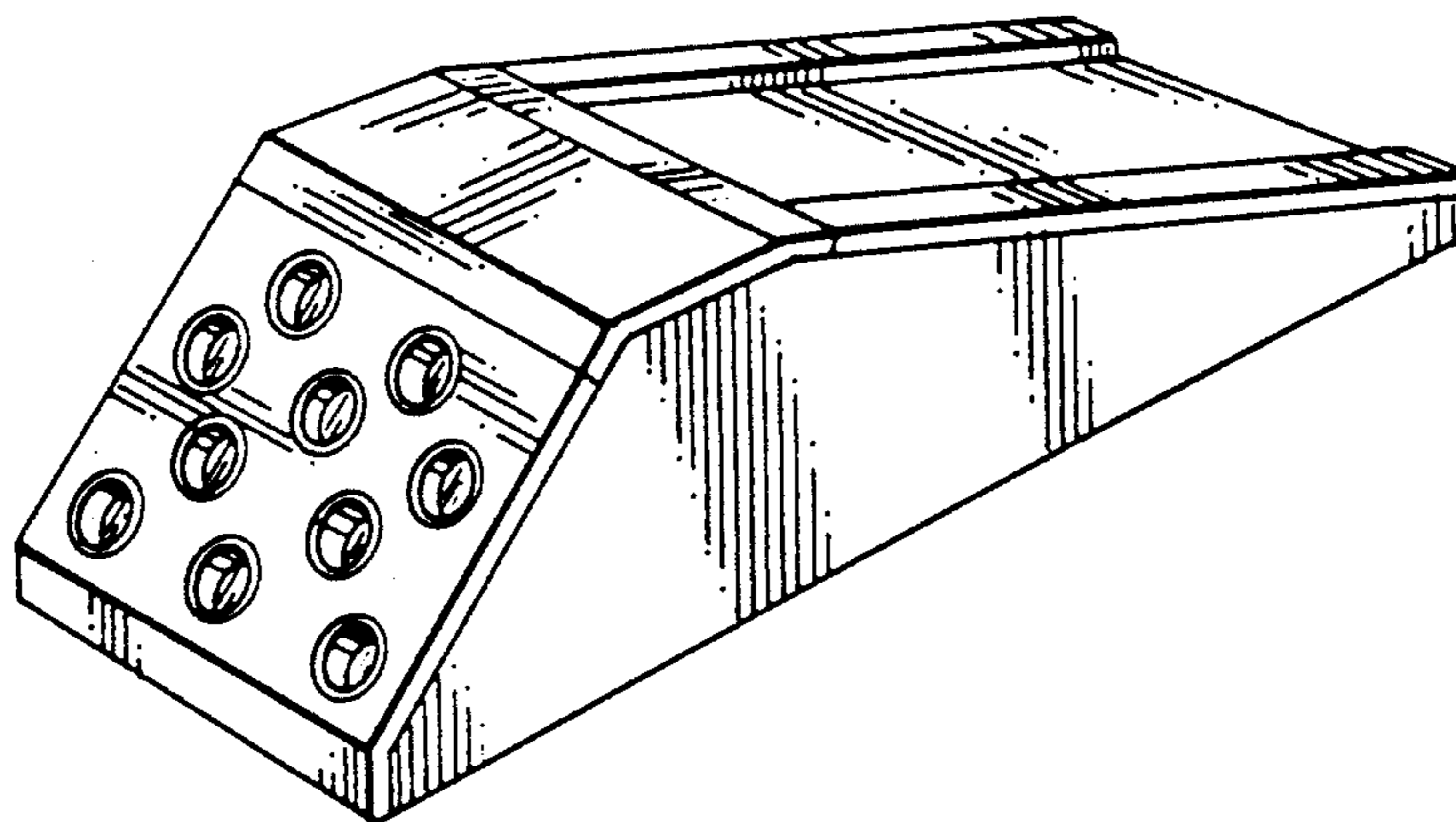


FIG. 1

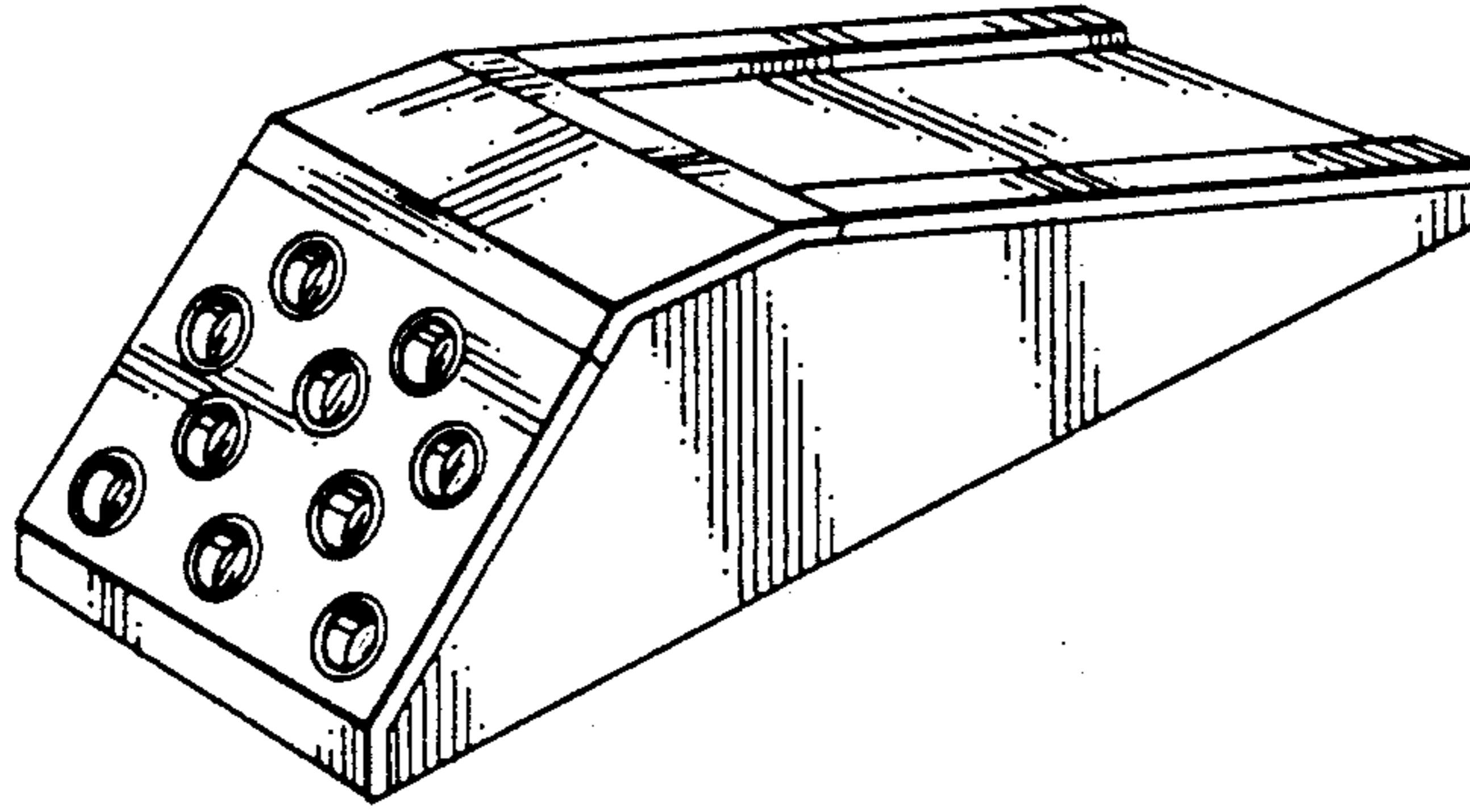


FIG. 2

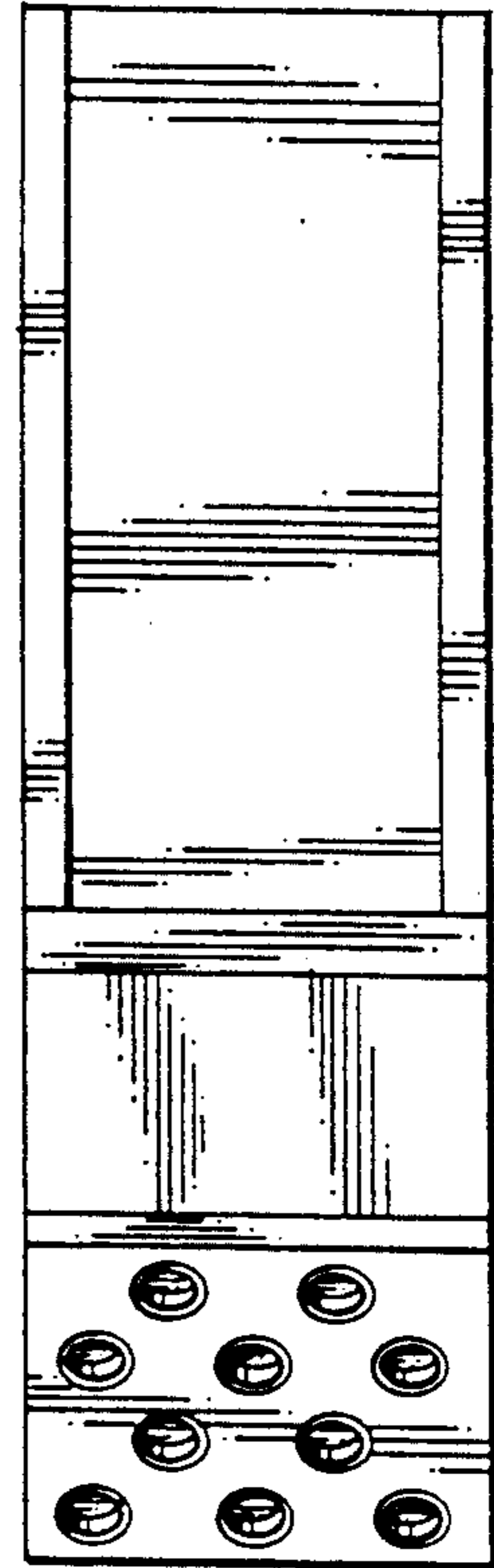


FIG. 3

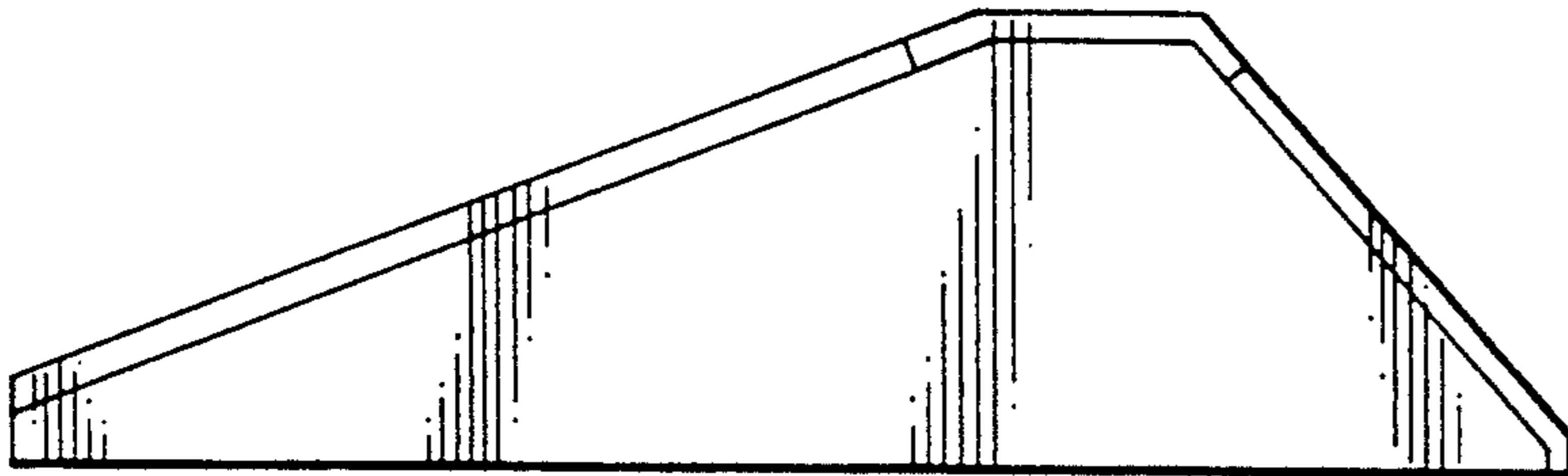


FIG. 4

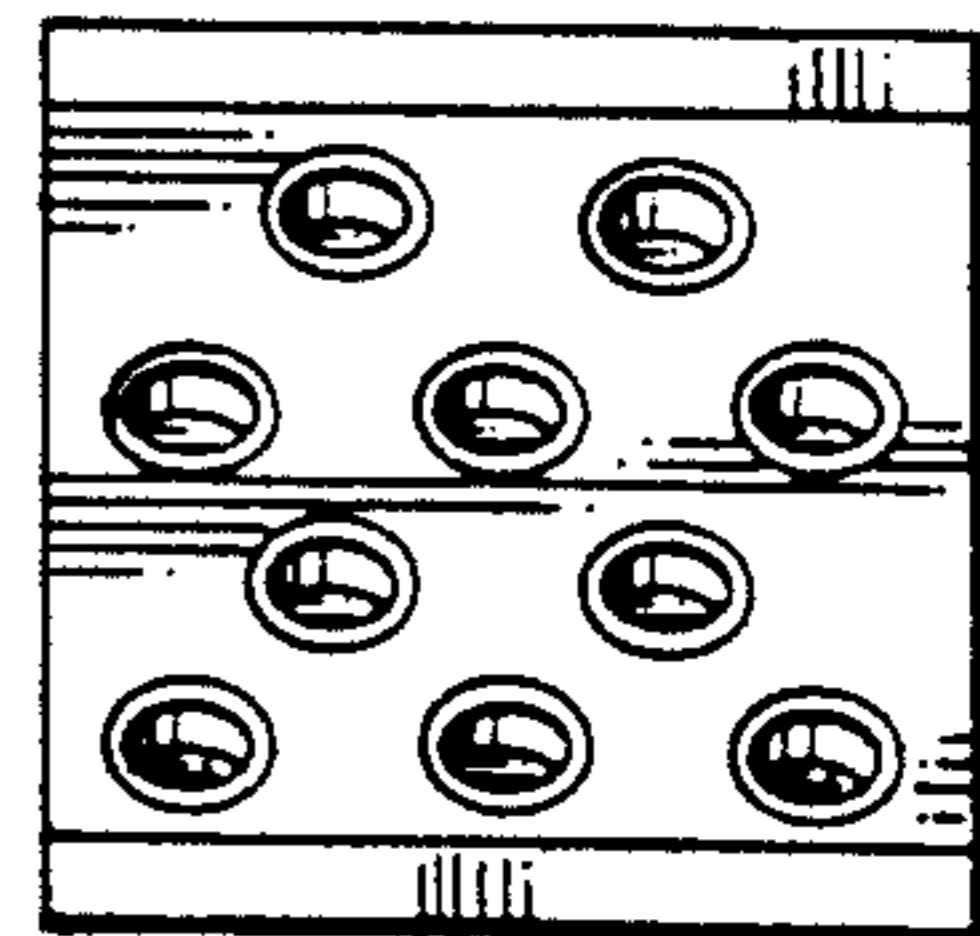


FIG. 5

