



US00D340101S

# United States Patent [19]

[11] Patent Number: **Des. 340,101**

Ingold et al.

[45] Date of Patent: **\*\* Oct. 5, 1993**

[54] **COMBINED SLIDE AND CLIMBER**

4,369,965	1/1983	Ahrens .....	D21/244 X
4,546,965	10/1985	Baxter et al. .	
4,620,843	11/1986	Higginbotham, Sr. et al. .	
4,630,819	12/1986	Levin .	
5,031,897	7/1991	Zalesak .....	472/116

[75] Inventors: **Dana W. Ingold**, Salisbury; **Richard J. Petersheim**, Charlotte, both of N.C.

[73] Assignee: **Restaurant Technology, Inc.**, Oak Brook, Ill.

[\*\*] Term: **14 Years**

[21] Appl. No.: **830,270**

[22] Filed: **Feb. 4, 1992**

[52] U.S. Cl. .... **D21/244**

[58] Field of Search ..... **D21/240-252;**  
472/48, 116, 117, 126, 137; 446/70, 168, 431;  
482/35, 37, 68

[56] **References Cited**

**U.S. PATENT DOCUMENTS**

D. 217,486	5/1970	McHugh .....	D21/243
D. 328,326	7/1992	Kuan .....	D21/244
2,620,185	12/1952	Harding .....	472/116 X
3,192,663	7/1965	Kirschner .....	446/168
3,472,509	10/1969	Flynn .	
3,572,698	3/1971	Greenly .	
3,814,416	6/1974	Munger et al. .	
4,189,149	2/1990	Katsiaficas .	

**OTHER PUBLICATIONS**

Miracle Recreation Eqpt. Co., 1972, p. 43 as shown.  
American Weekly, Sep. 1959, p. 8 as shown.  
Mexico Forge, Jan. 1984, p. 30, top slide.

*Primary Examiner*—Bernard Ansher  
*Assistant Examiner*—Prabhakar Deshmukh  
*Attorney, Agent, or Firm*—Jenner & Block

[57] **CLAIM**

The ornamental design for a combined slide and climber, as shown and described.

**DESCRIPTION**

FIG. 1 is a perspective view of a combined slide and climber showing our new design; FIG. 2 is a top plan view thereof; FIG. 3 is a right side elevation view thereof that is a mirror image of the left side elevation view thereof; FIG. 4 is a front elevation view thereof; and, FIG. 5 is a rear elevation view thereof. The bottom is plain and unornamented.

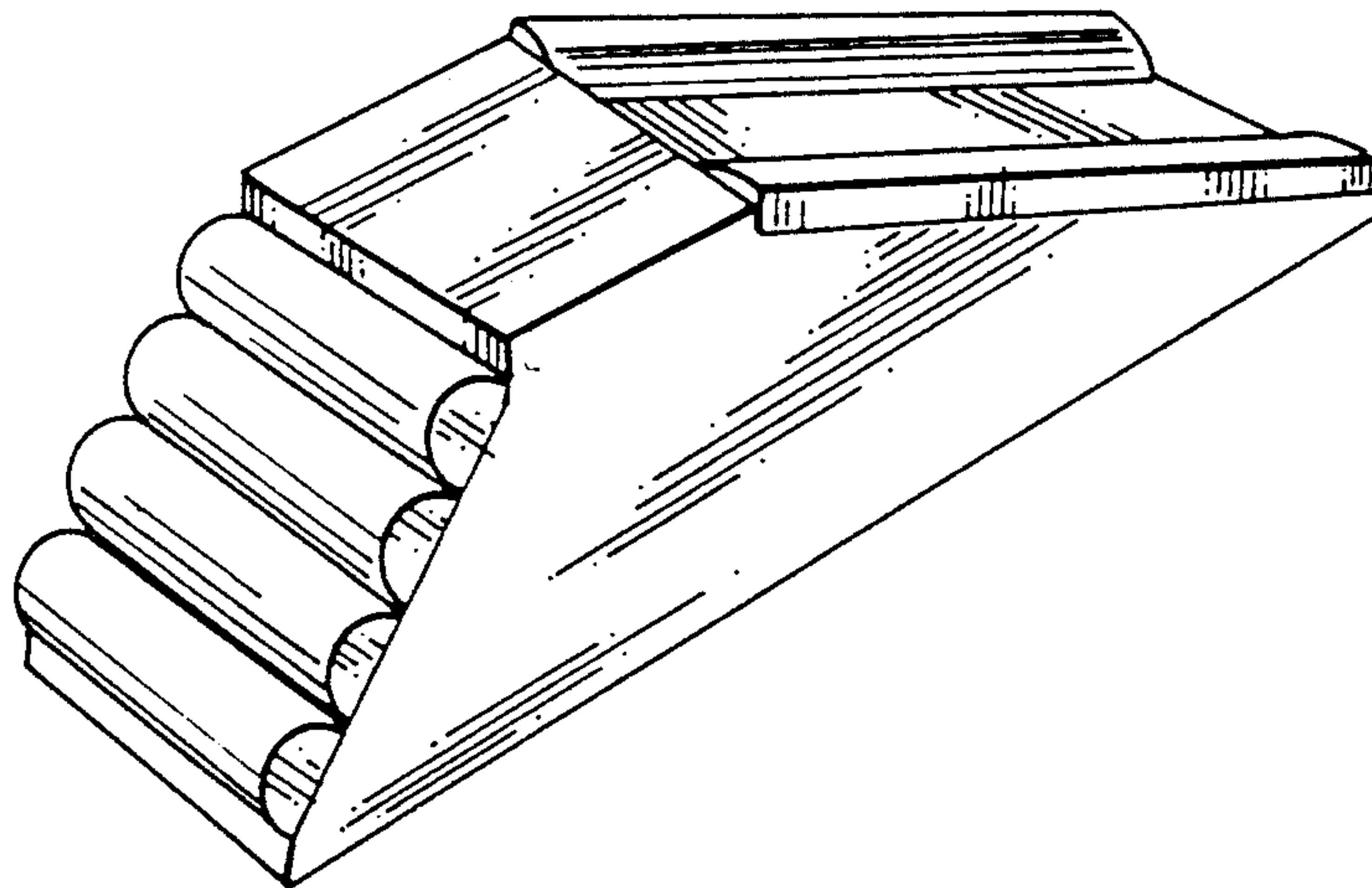


FIG. 1

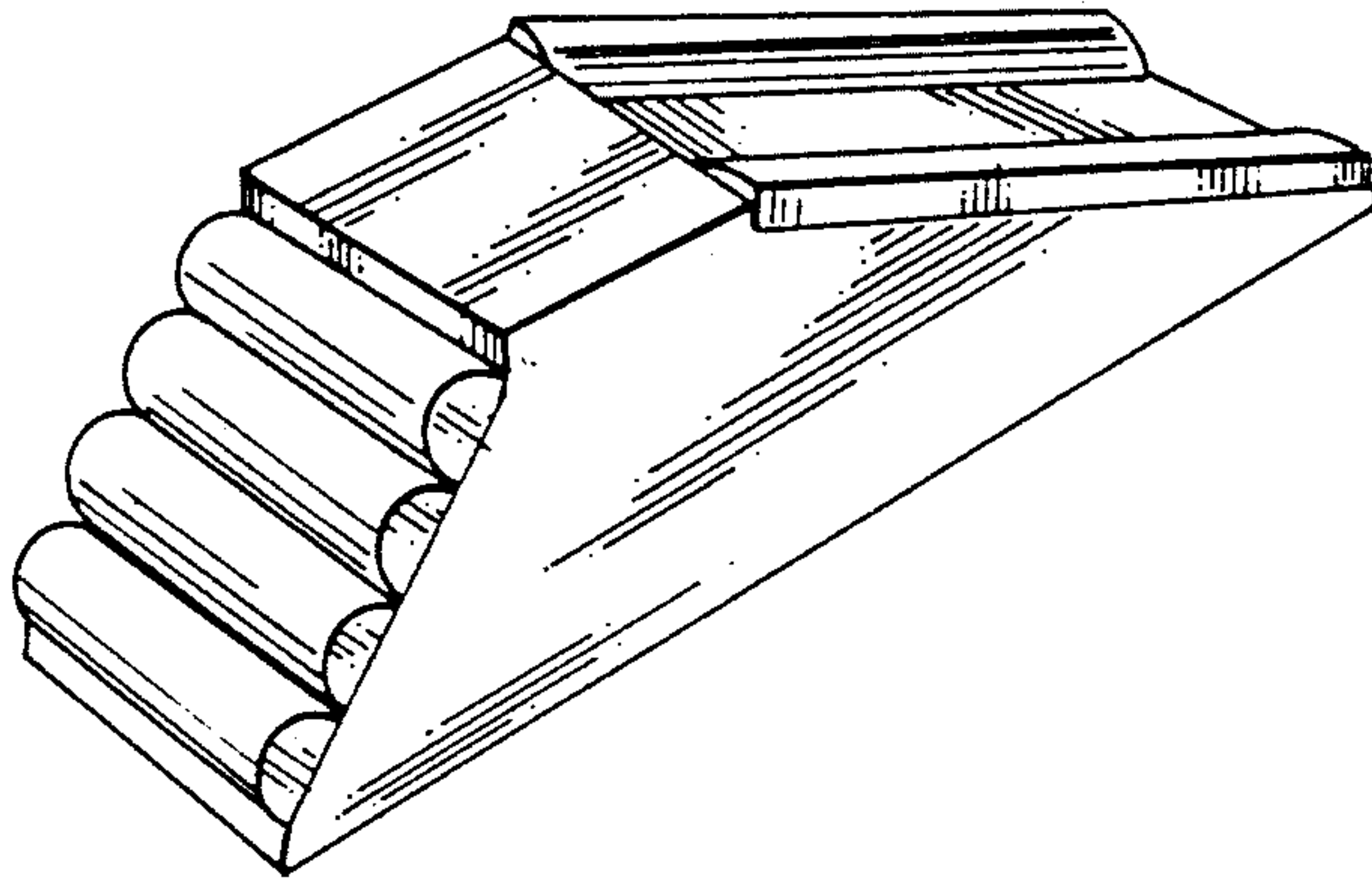


FIG. 2

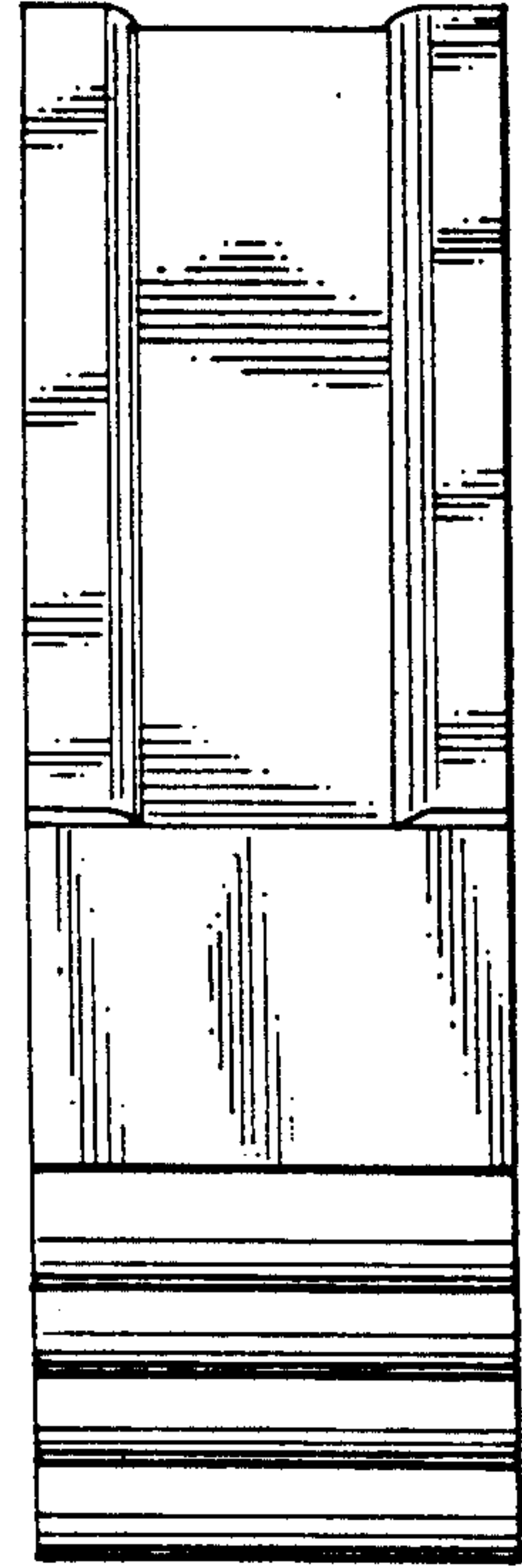


FIG. 3

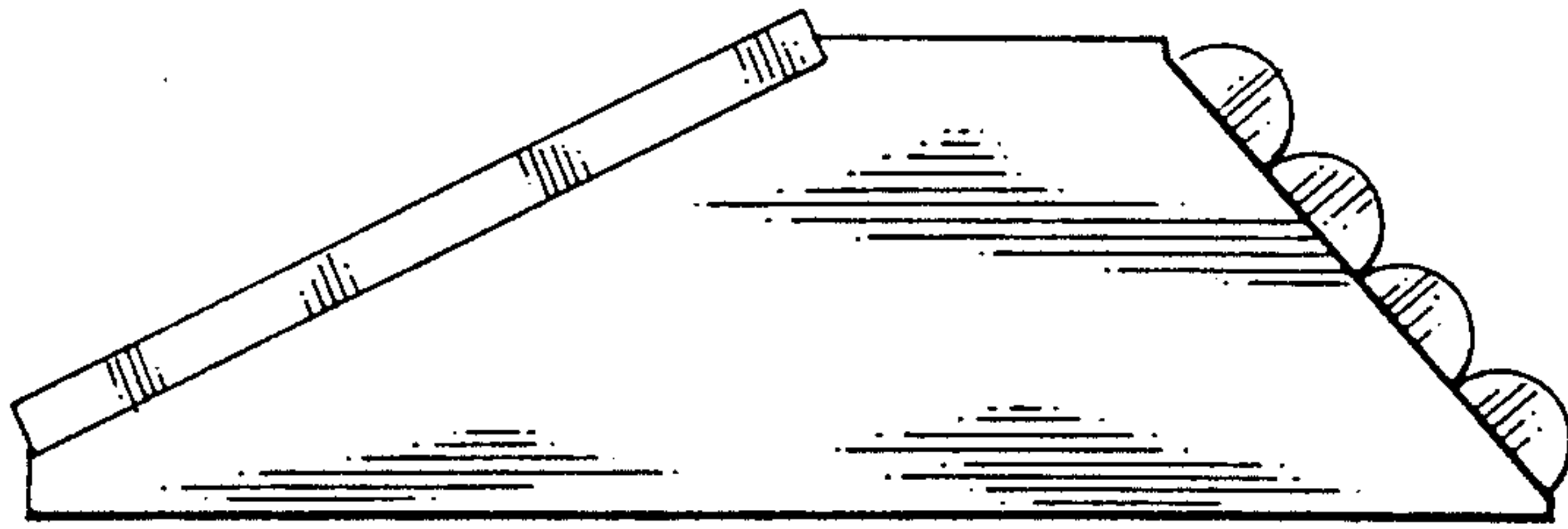


FIG. 4

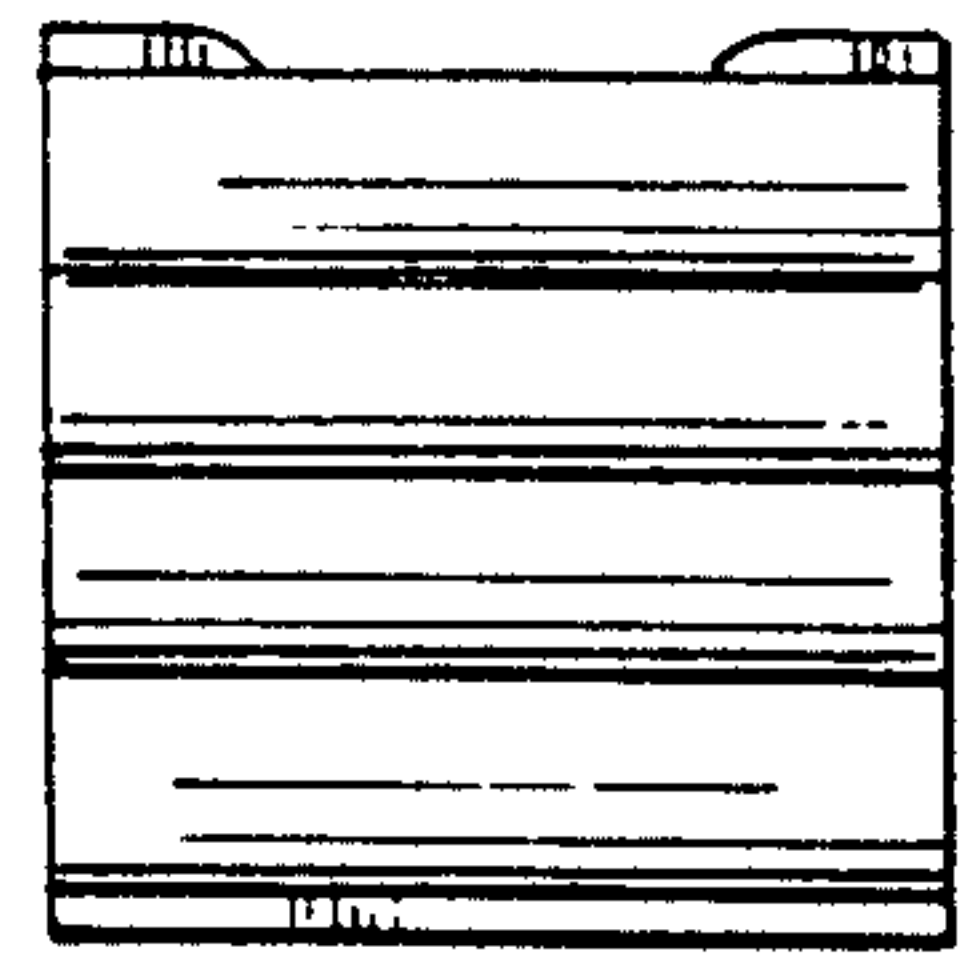


FIG. 5

