



US00D340098S

United States Patent [19]

[11] Patent Number: **Des. 340,098**

Petersheim

[45] Date of Patent: **** Oct. 5, 1993**

[54] **PLAYHOUSE**

4,484,738 11/1984 Ahrens et al. 472/116
5,031,897 7/1991 Zalesak 472/116

[75] Inventor: **Richard J. Petersheim**, Charlotte, N.C.

OTHER PUBLICATIONS

[73] Assignee: **Restaurant Technology, Inc.**, Oak Brook, Ill.

Mexico Forge, 1984, p. 30, top of the page.
Euro-Matic Ltd, 1989, as shown.
Quality Industries Inc. 1983, p. 31 Climb-N-Slide.

[**] Term: **14 Years**

Primary Examiner—Bernard Ansher
Assistant Examiner—Prabhakar Deshmukh
Attorney, Agent, or Firm—Jenner & Block

[21] Appl. No.: **831,040**

[22] Filed: **Feb. 4, 1992**

[52] U.S. Cl. **D21/242**

[58] Field of Search D21/240-252;
472/48, 92, 116, 117, 126, 134, 136, 137;
446/70, 168, 220, 221, 476, 106, 110

[57] CLAIM

The ornamental design for a playhouse, as shown and described.

[56] References Cited

U.S. PATENT DOCUMENTS

D. 250,723 1/1979 Dieter et al. D21/244
D. 262,818 1/1982 Works D21/243
D. 281,985 12/1985 Spirk, Jr. et al. D21/244 X
D. 303,826 10/1989 Aker D21/244
4,447,055 5/1984 Ahrens 472/116 X

DESCRIPTION

FIG. 1 is a perspective view of a playhouse showing my new design;

FIG. 2 is an enlarged scale top plan view thereof; and, FIG. 3 is an enlarged scale front elevation view thereof that is a mirror image of the left, right and rear views thereof.

The bottom is plane and unornamented.

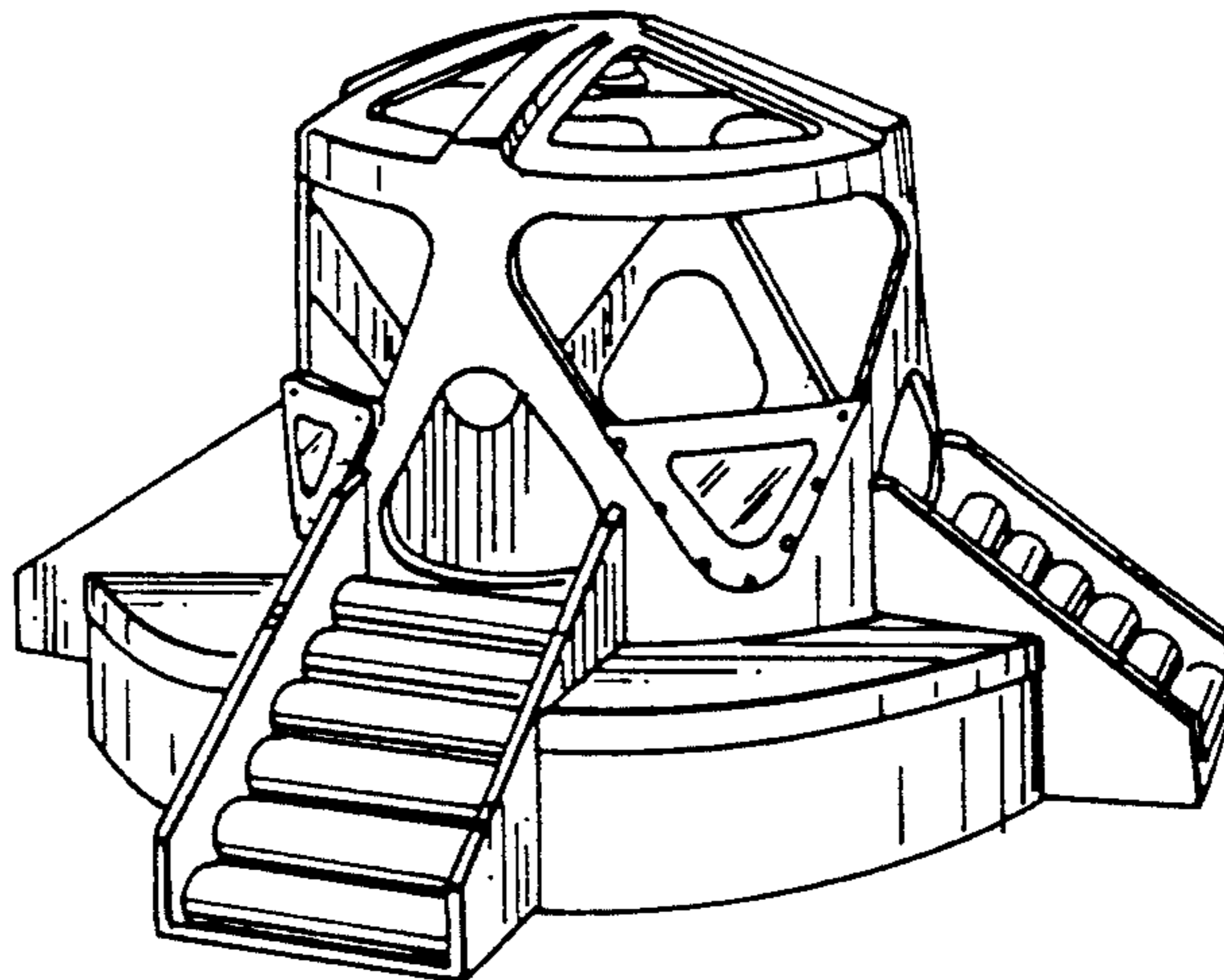


FIG. 2

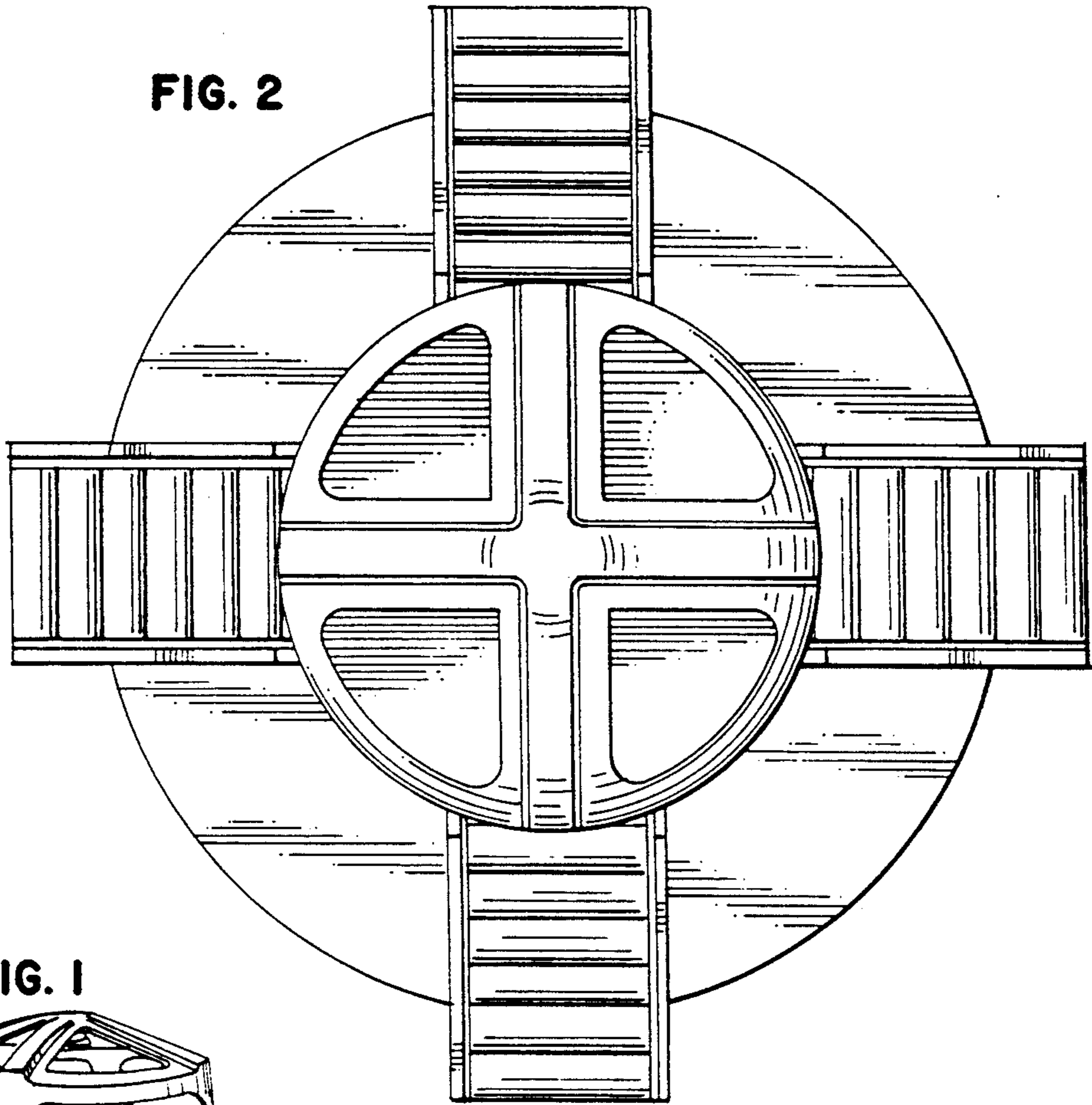


FIG. 1

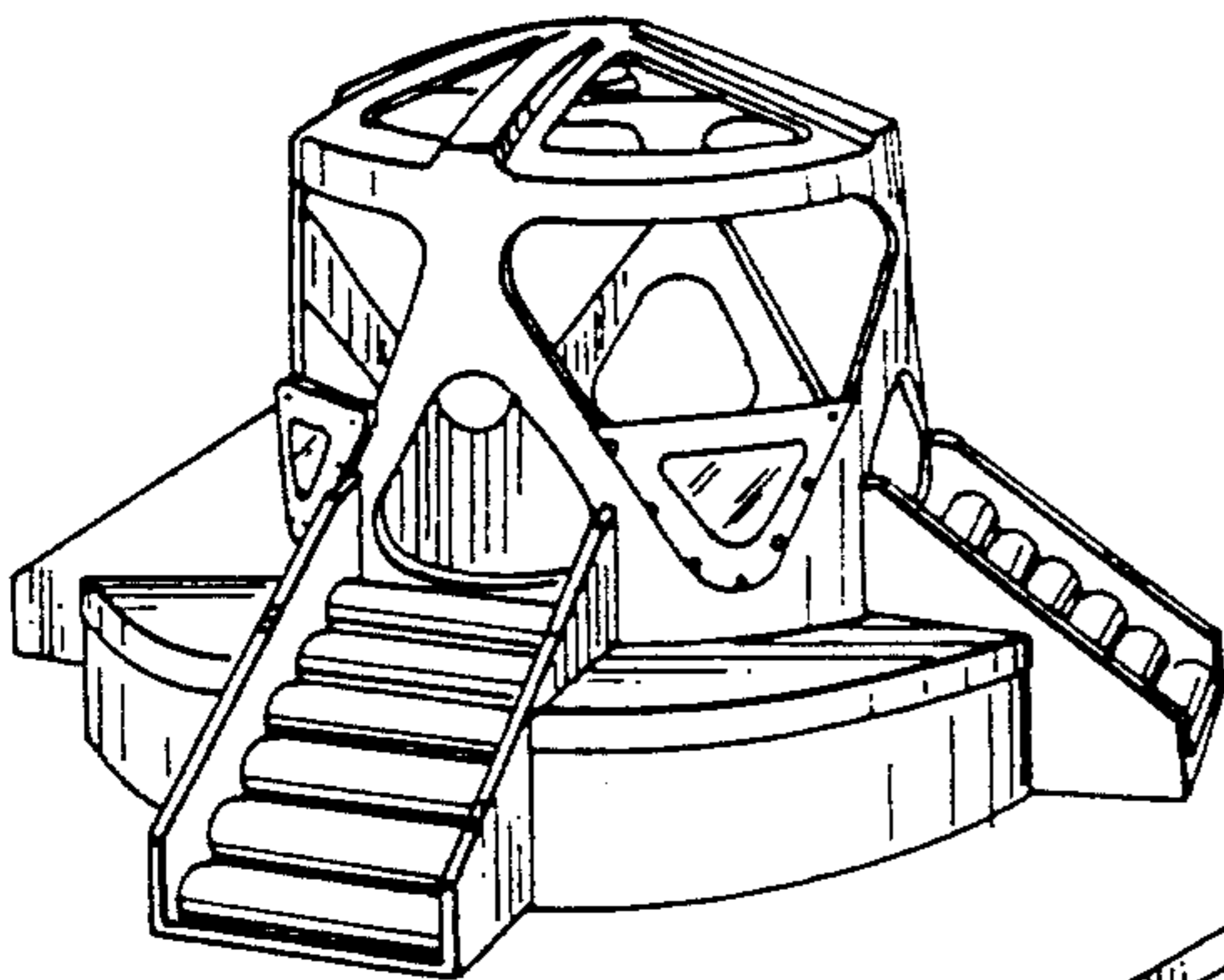


FIG. 3

