



US00D340097S

United States Patent [19]
Hubbard

[11] **Patent Number: Des. 340,097**
[45] **Date of Patent: ** Oct. 5, 1993**

[54] **CARRYALL FOR USE ON A GOLF CART**
[76] **Inventor: Duane J. Hubbard, 6902 County Farm Rd., Lexington, Mich. 48450**
[**] **Term: 14 Years**
[21] **Appl. No.: 773,291**
[22] **Filed: Oct. 9, 1991**
[52] **U.S. Cl. D21/234**
[58] **Field of Search D21/234; 224/918, 919; 273/32 D; 206/315.3, 315.9**

3,128,021 4/1964 Habbena D21/234

Primary Examiner—Melvin B. Feifer
Attorney, Agent, or Firm—Terry M. Gernstein

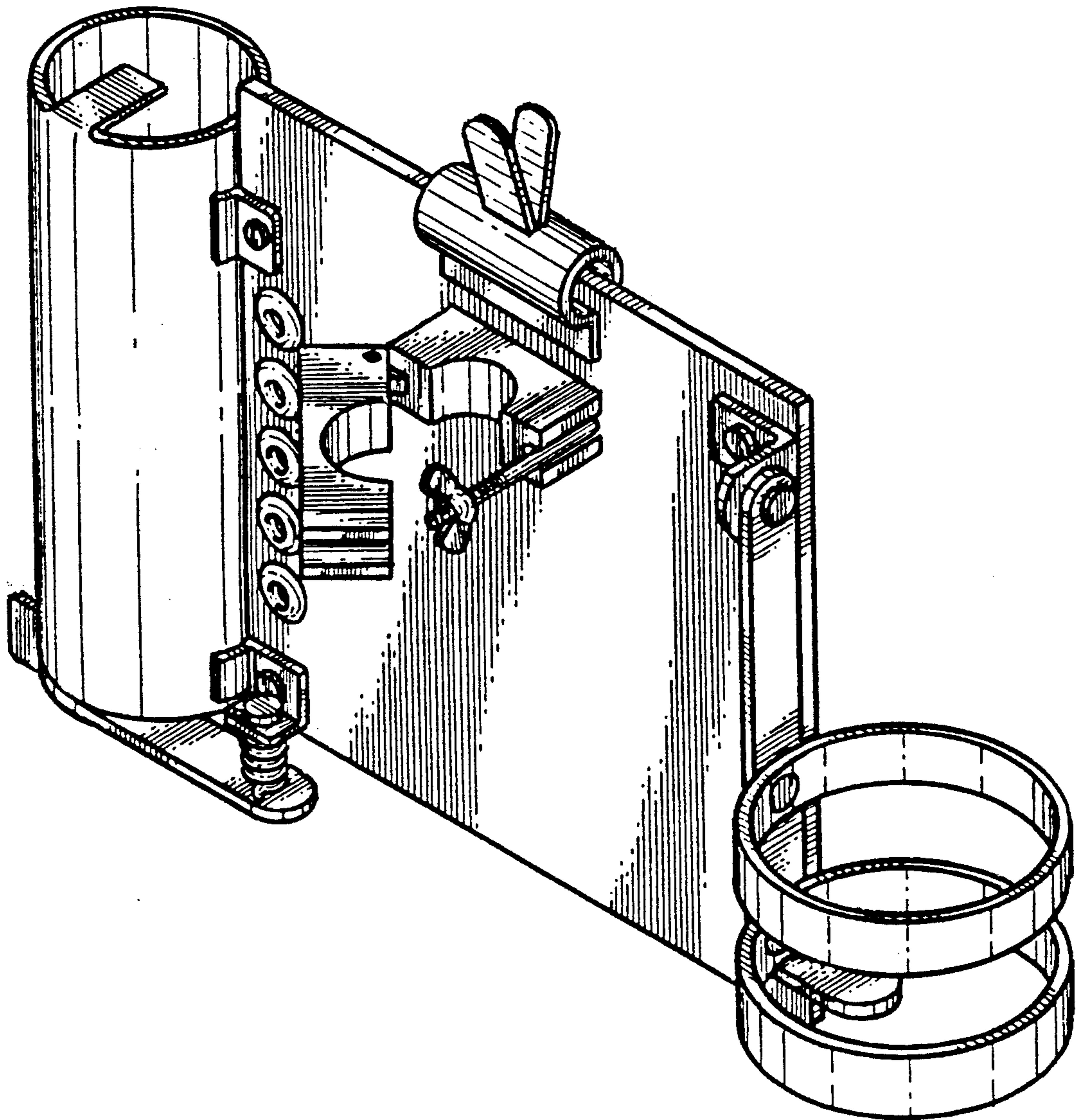
[57] **CLAIM**

The ornamental design for a carryall for use on a golf cart, as shown and described.

DESCRIPTION

FIG. 1 is a perspective view of the carryall for use on a golf cart embodying the design of the present invention; FIG. 2 is a front elevational view thereof; FIG. 3 is a rear elevational view thereof; FIG. 4 is a side elevational view thereof; FIG. 5 is a side elevational view thereof; FIG. 6 is a top plan view thereof; and, FIG. 7 is a bottom view thereof.

[56] **References Cited**
U.S. PATENT DOCUMENTS
D. 183,339 8/1958 Bailey D21/208
D. 195,472 6/1963 Zimmers D21/234
D. 314,222 1/1991 Viguers et al. D21/234



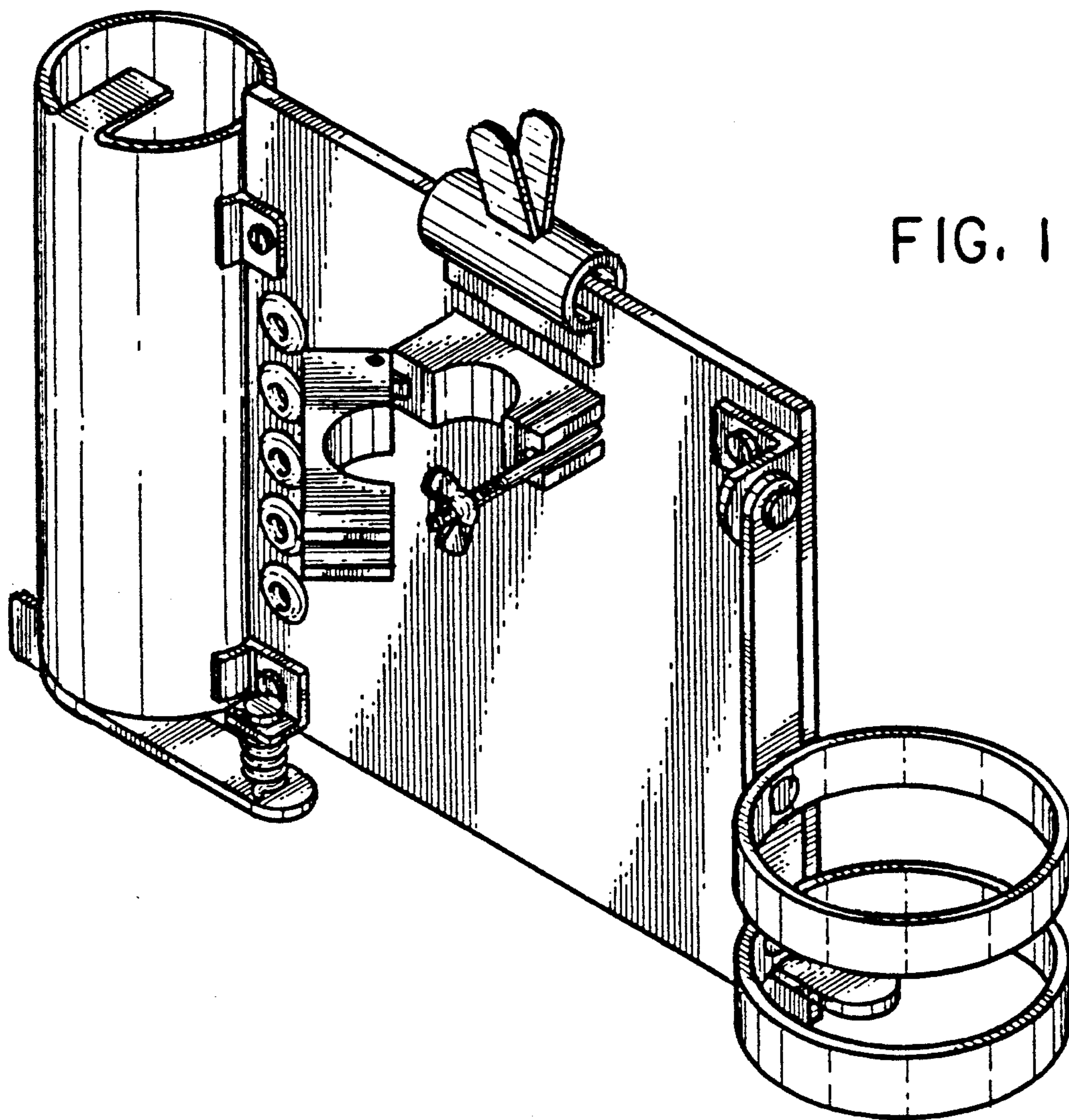


FIG. 1

FIG. 2

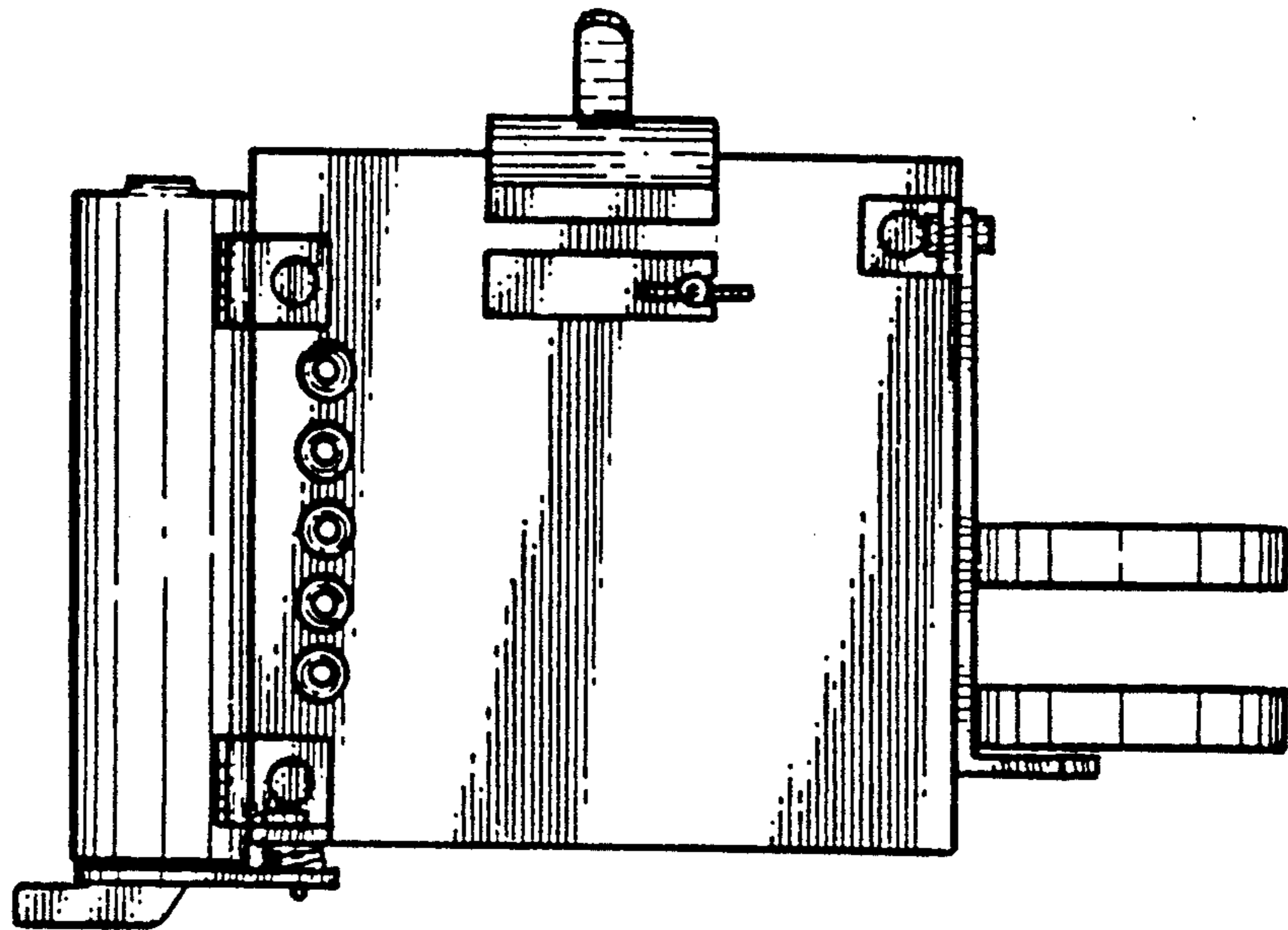


FIG. 3

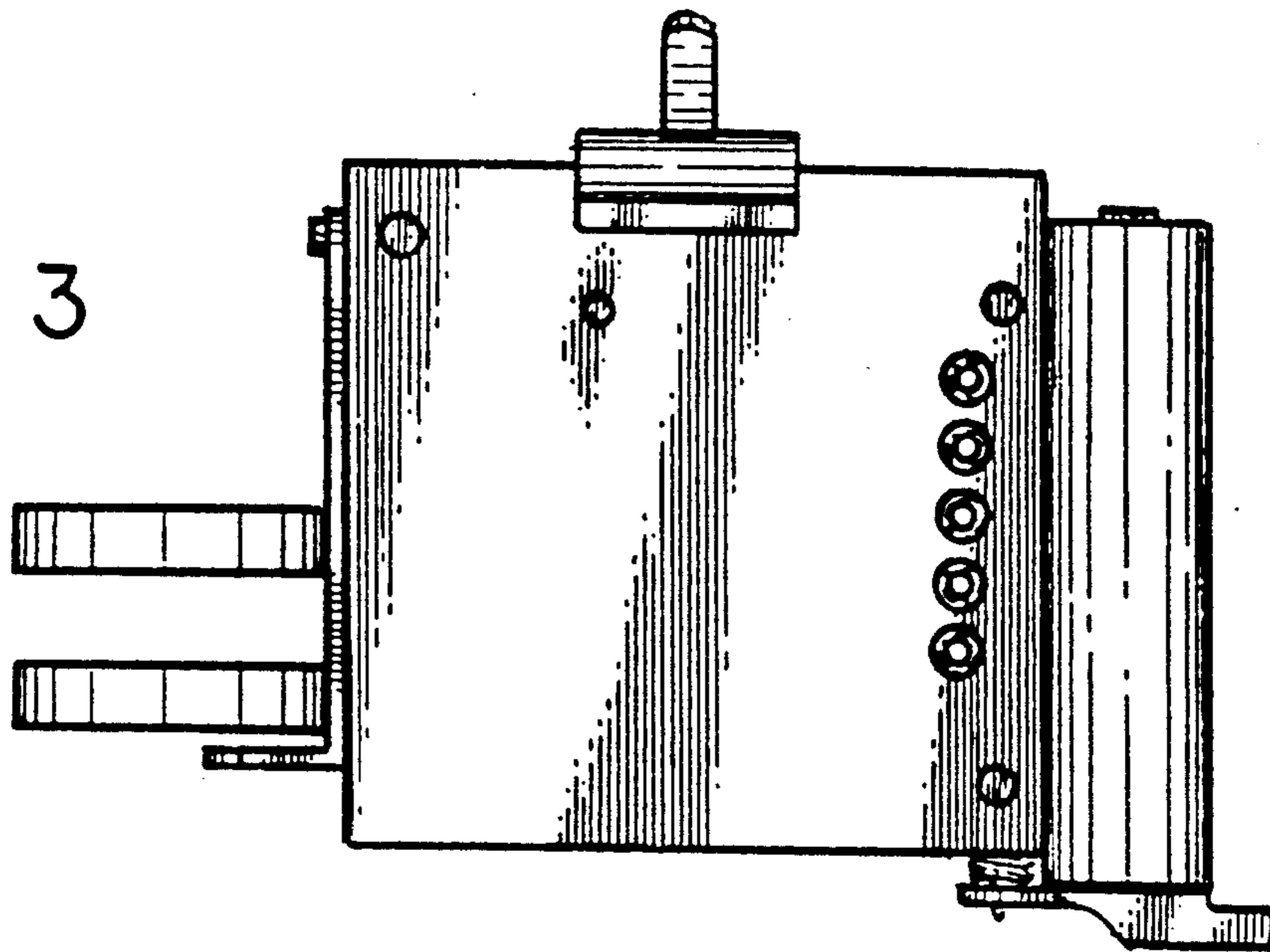


FIG. 4

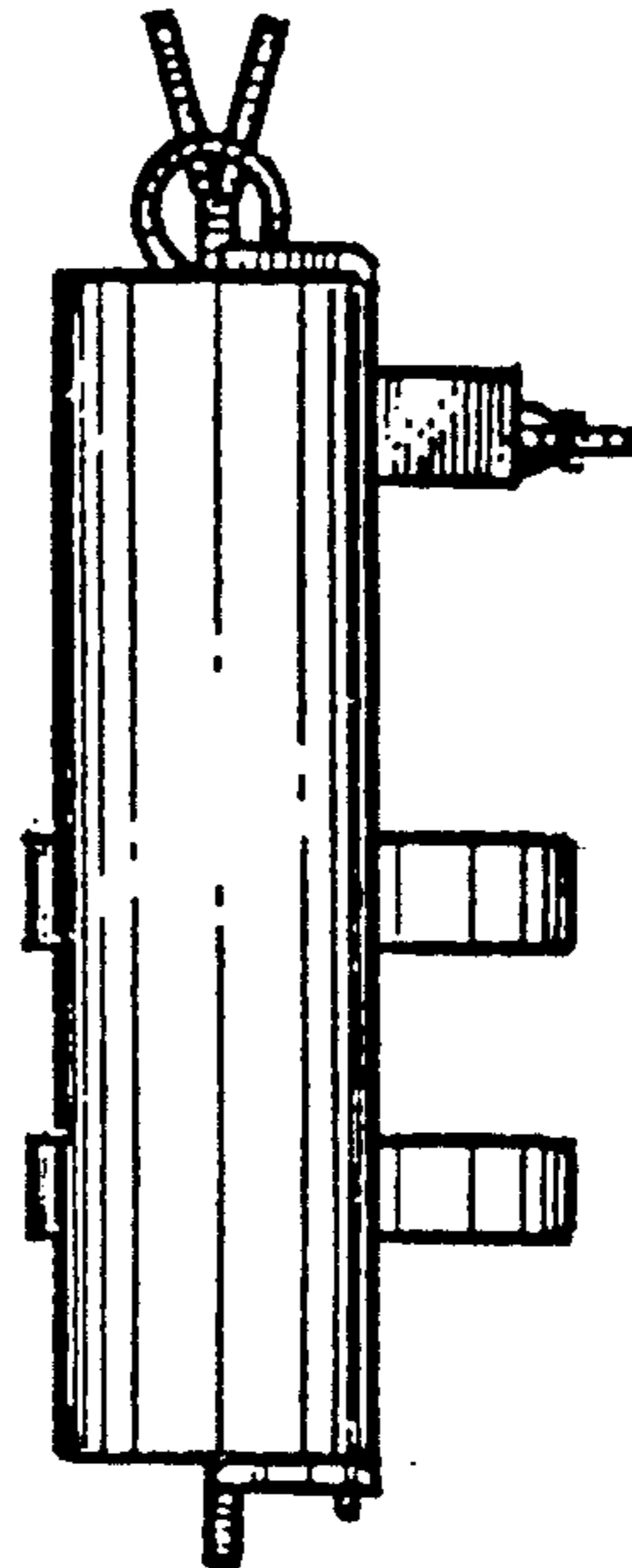


FIG. 5

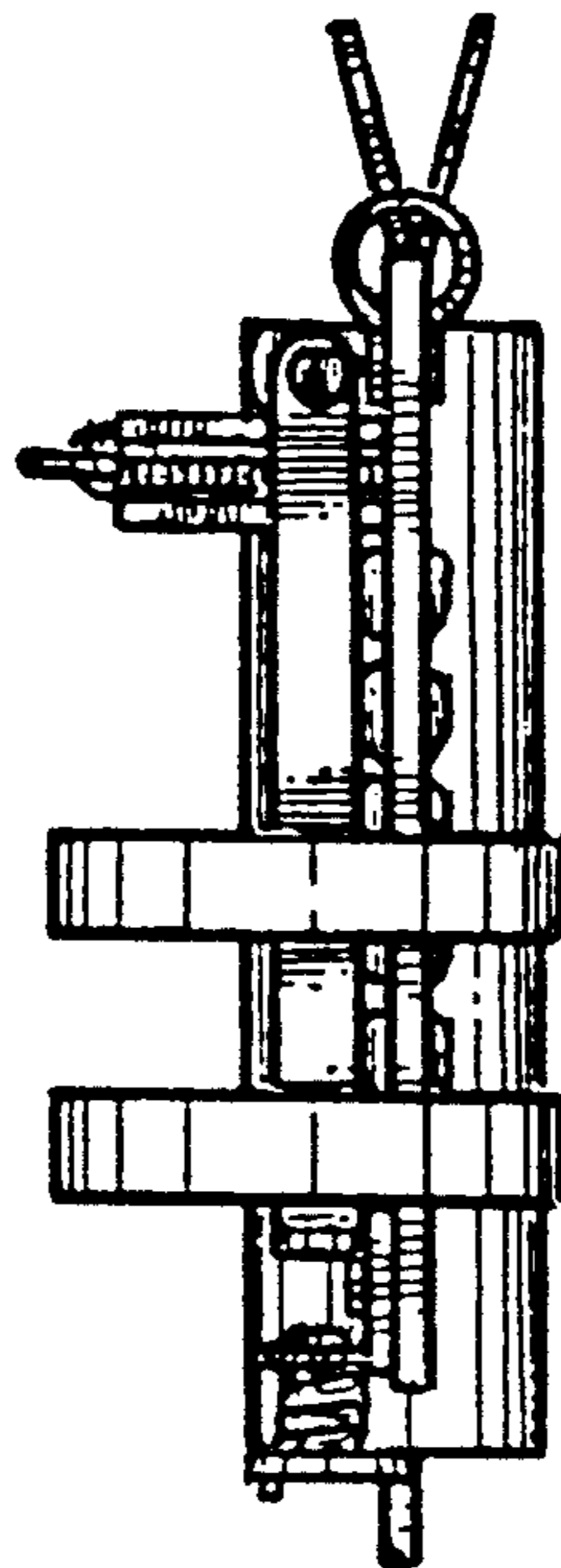


FIG. 6

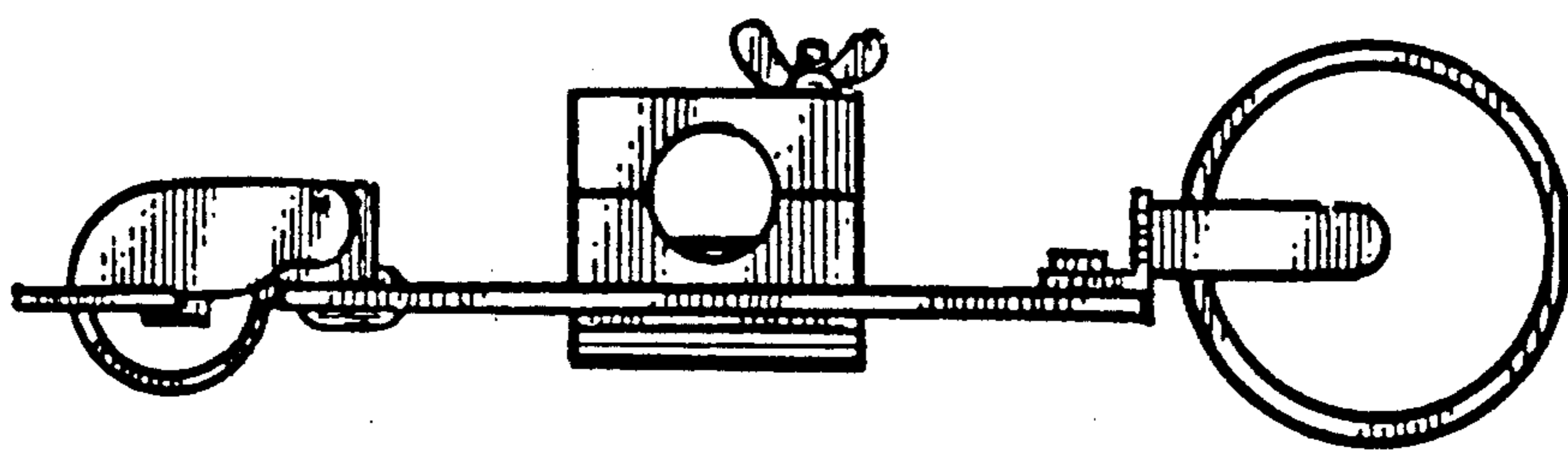
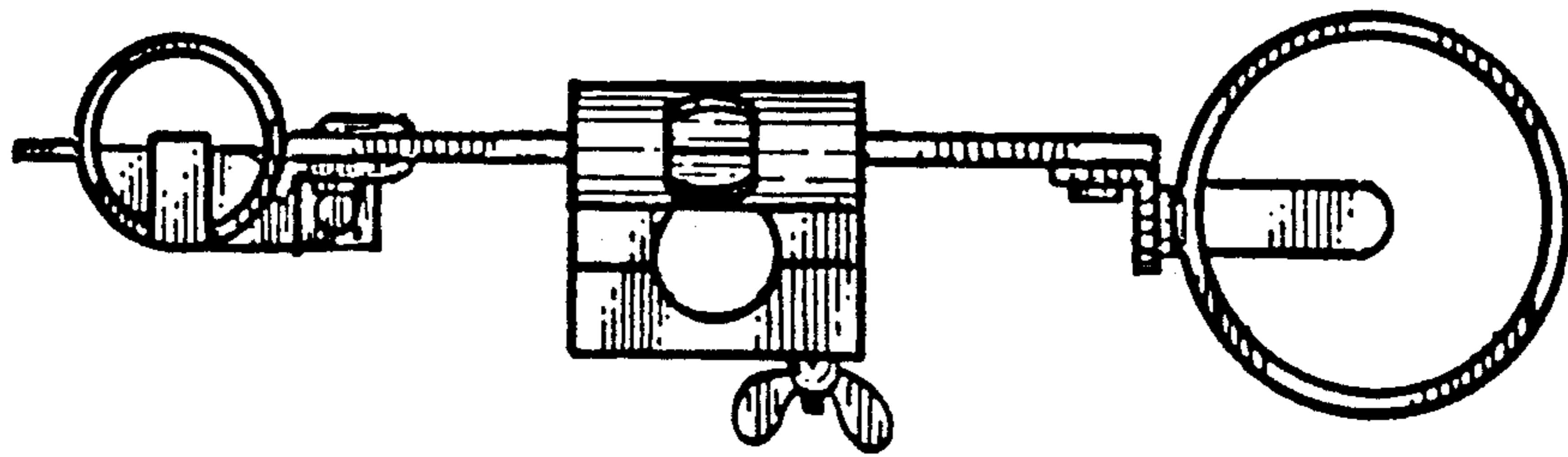


FIG. 7