



US00D340095S

United States Patent [19]

Friedebach

[11] Patent Number: **Des. 340,095**

[45] Date of Patent: **** Oct. 5, 1993**

[54] **CROSS-COUNTRY SKI SIMULATOR EXERCISER**

4,813,667 3/1989 Watterson 482/70

4,826,152 5/1989 Lo 482/70

4,948,121 8/1990 Haaheim et al. 482/70

[75] Inventor: **Adolf H. Friedebach, Chaska, Minn.**

[73] Assignee: **Fitness Master, Inc., Waconia, Minn.**

[**] Term: **14 Years**

[21] Appl. No.: **706,739**

[22] Filed: **May 29, 1991**

[52] U.S. Cl. **D21/192; D21/195**

[58] Field of Search **D21/191, 192, 193, 194, D21/195; 482/70, 71, 74, 79**

Primary Examiner—Bernard Ansher
Assistant Examiner—Philip Hyder
Attorney, Agent, or Firm—Dorsey & Whitney

[57] CLAIM

The ornamental design for a cross-country ski simulator exerciser, as shown.

DESCRIPTION

FIG. 1 is a front perspective view of a cross-country ski simulator exerciser, showing my new design; FIG. 2 is a right side perspective view thereof; FIG. 3 is a left side perspective view thereof; FIG. 4 is a rear perspective view thereof; FIG. 5 is a top plan view thereof; FIG. 6 is a bottom plan view thereof; and, FIG. 7 is a rear, top and right side perspective view thereof.

[56] References Cited

U.S. PATENT DOCUMENTS

D. 303,131 8/1989 Lo D21/192

D. 315,764 3/1991 Friedebach D21/191

4,743,015 5/1988 Marshall 482/70

4,804,178 2/1989 Friedebach 482/70

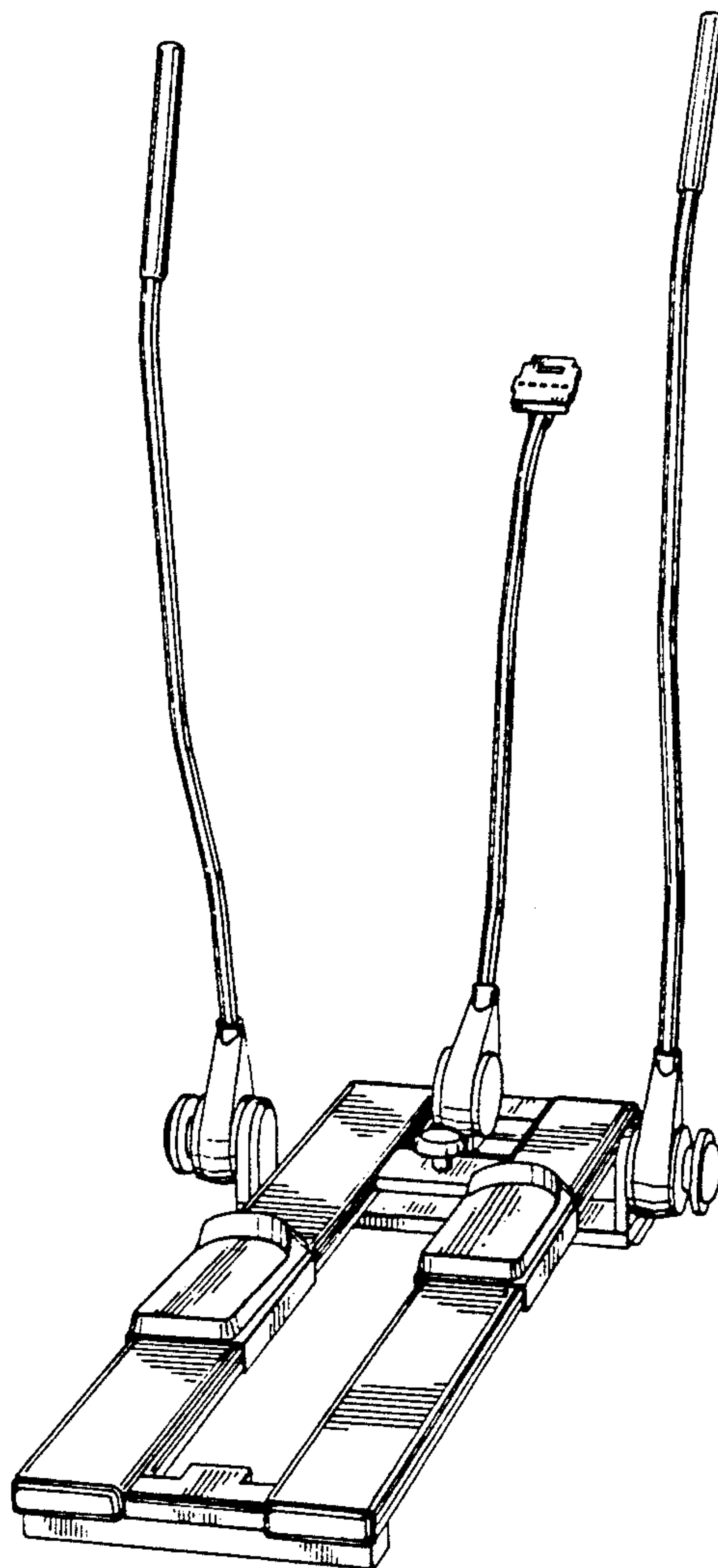


Fig. 1

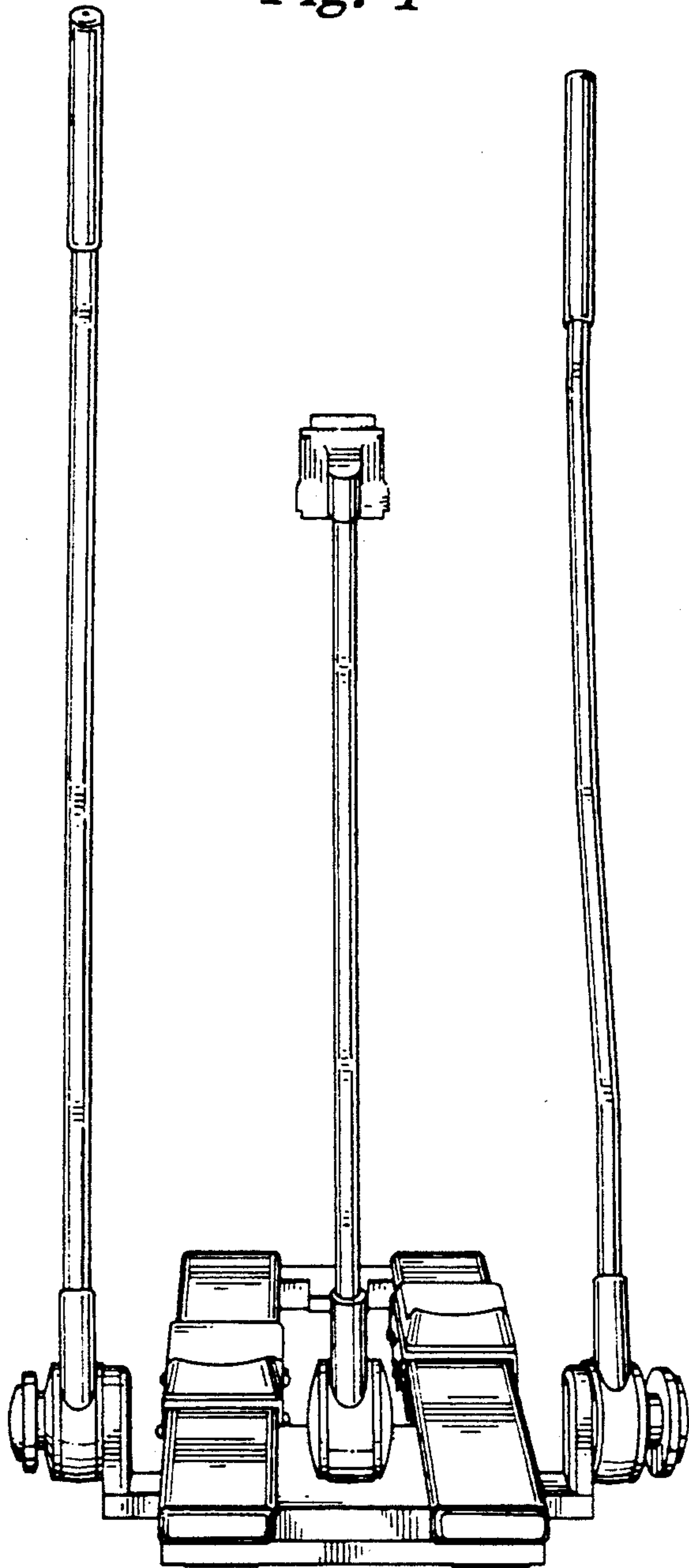
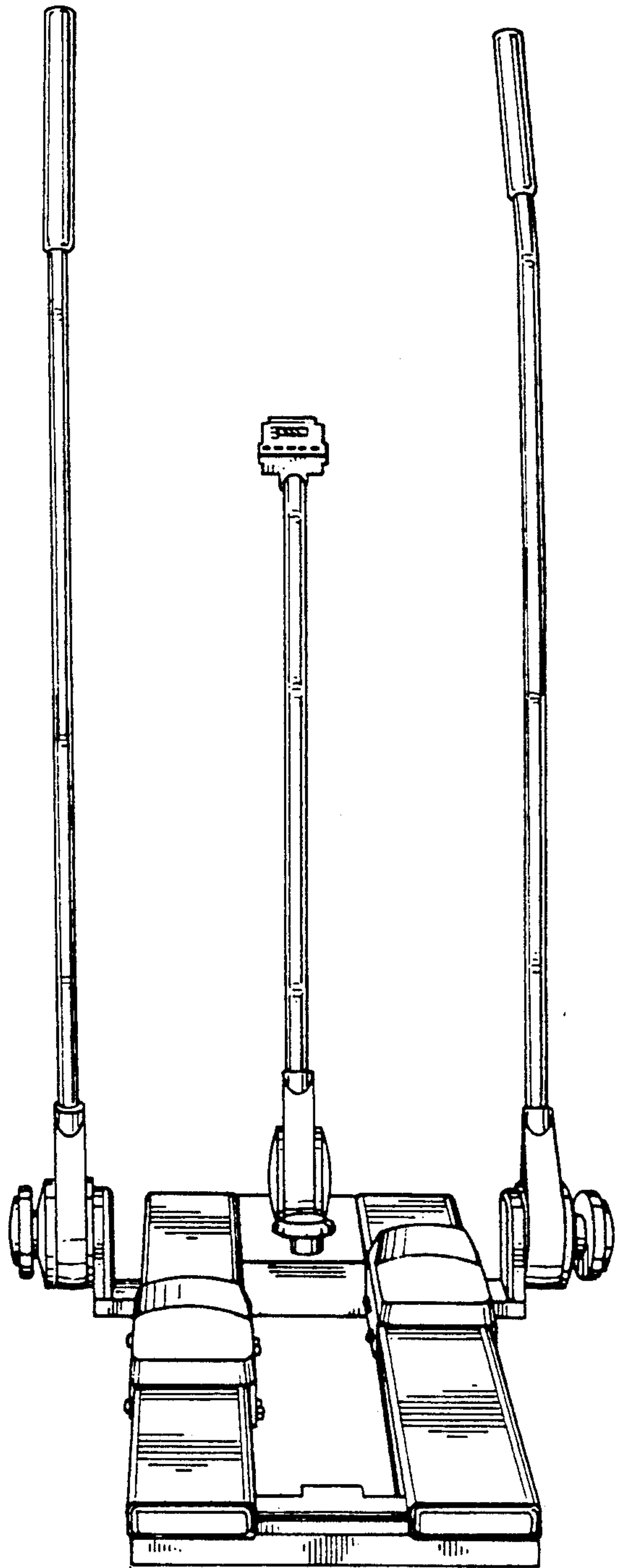


Fig. 4



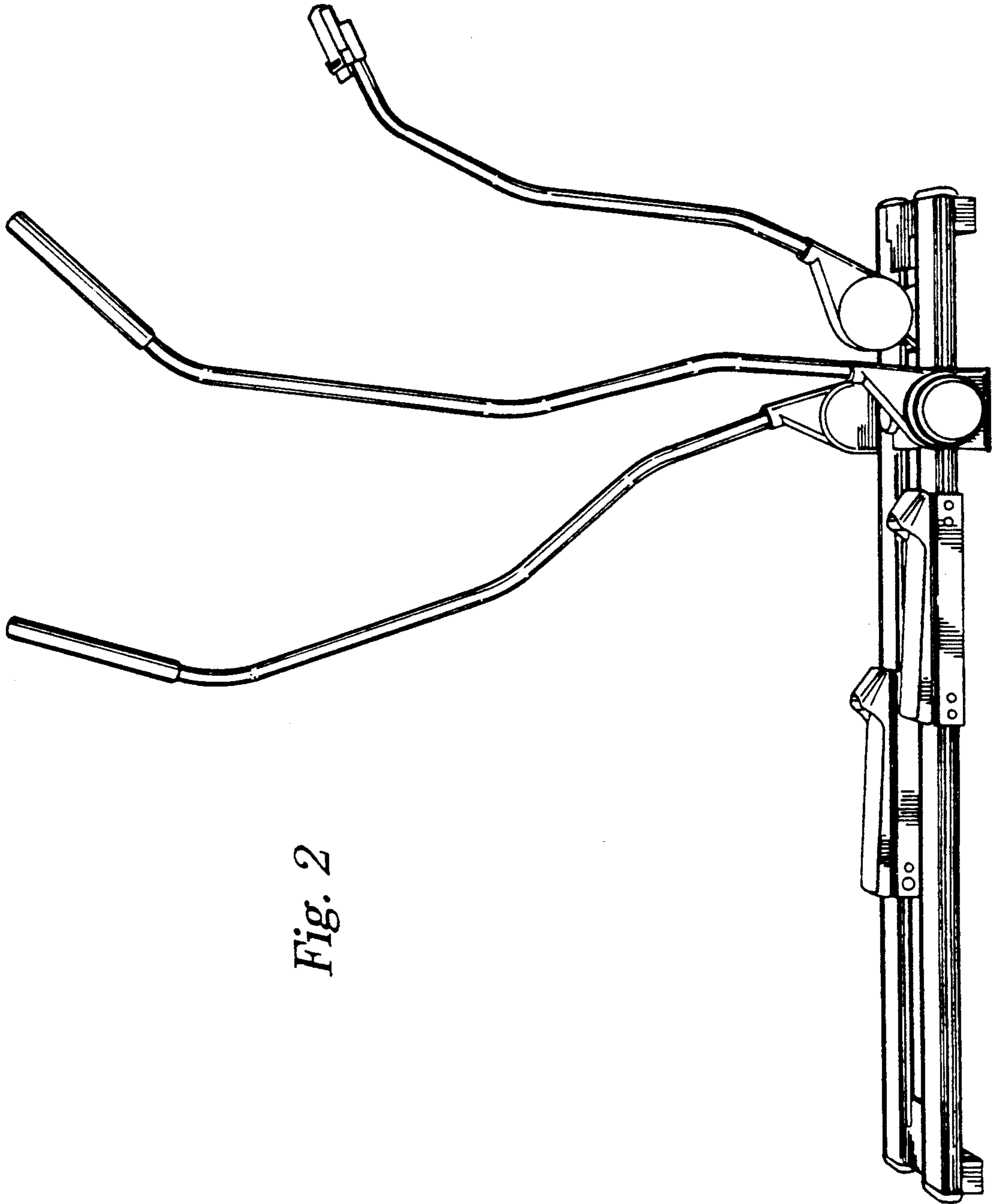
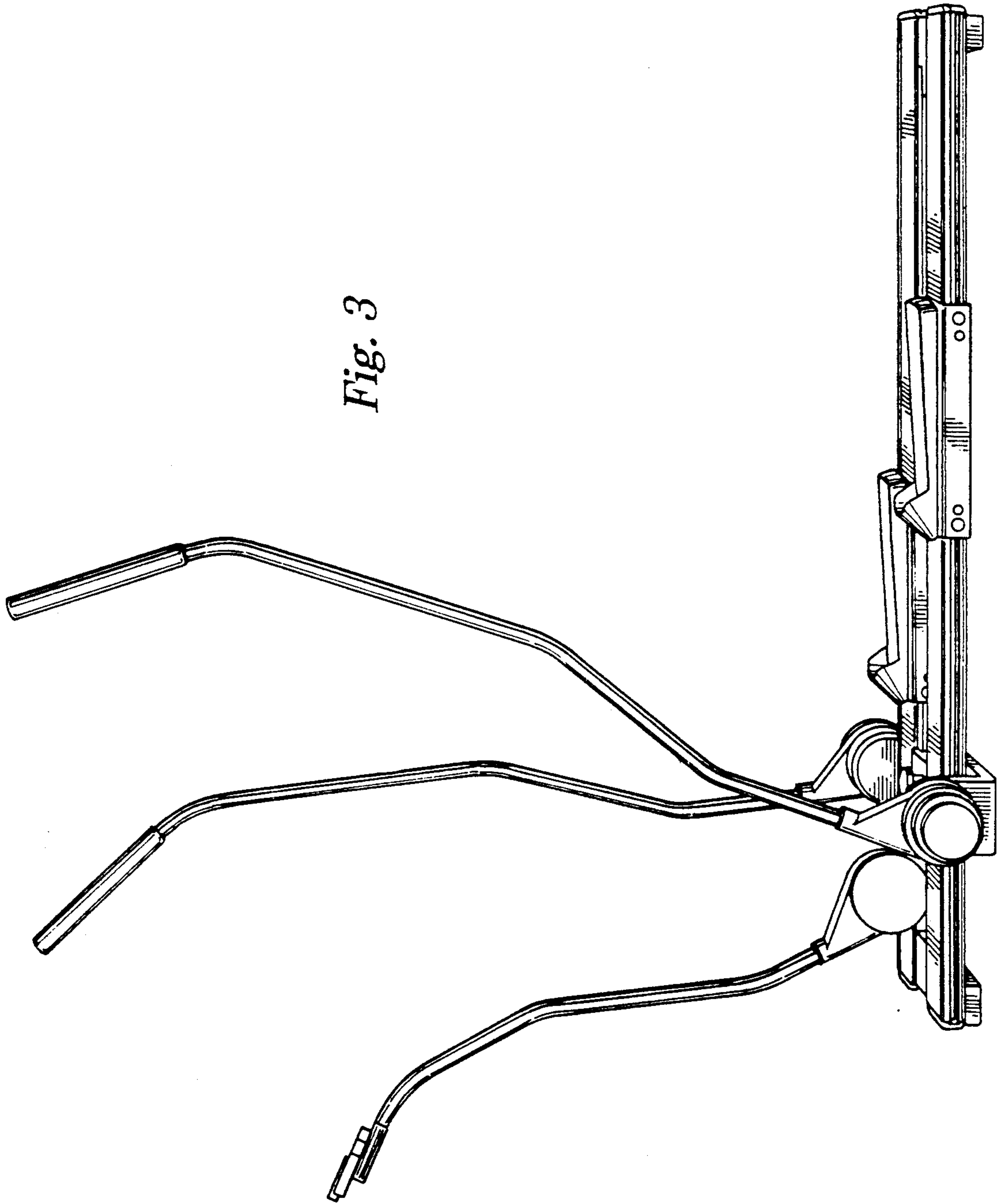


Fig. 2

Fig. 3



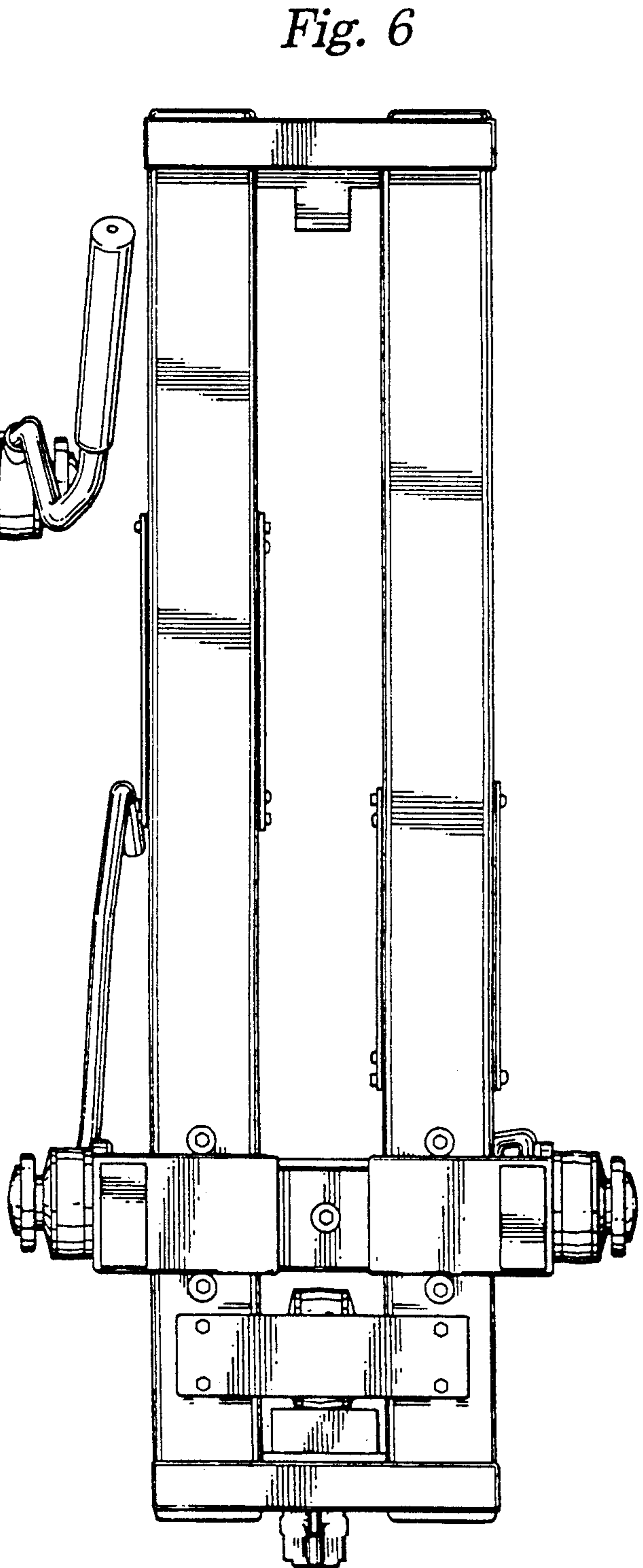
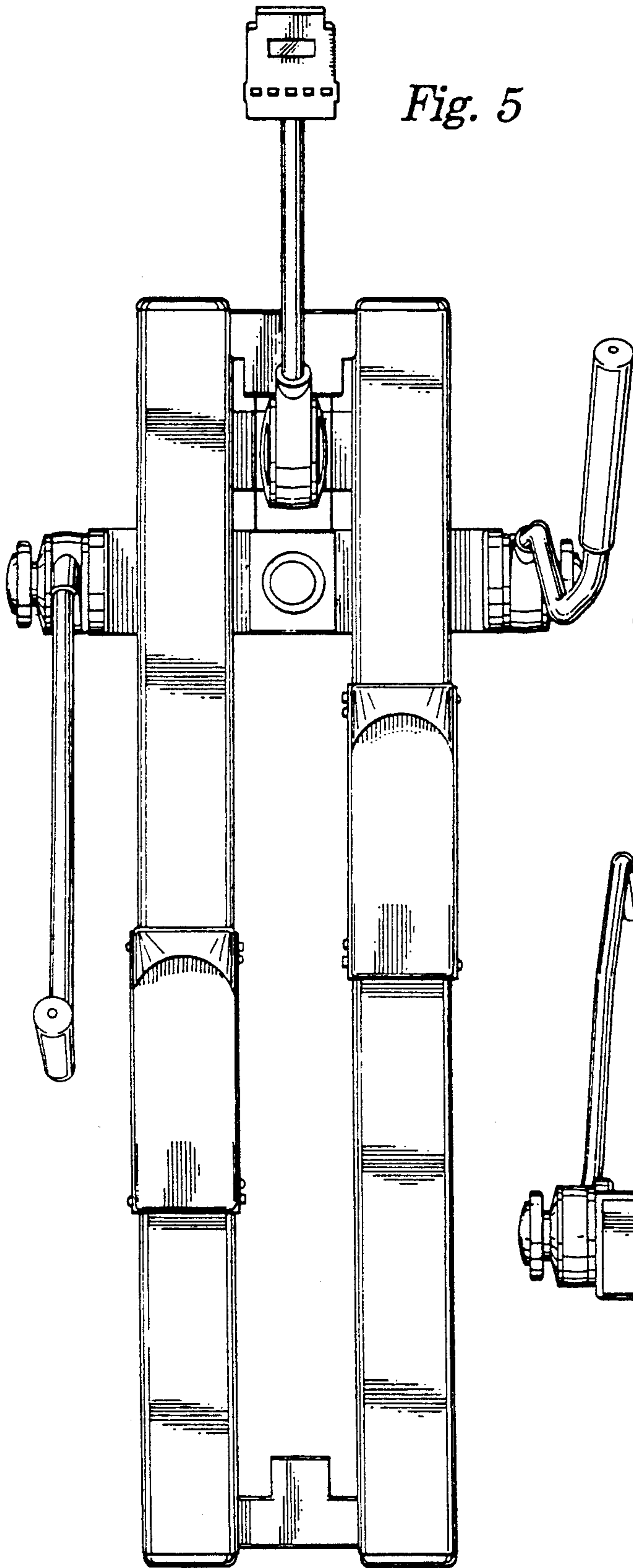


Fig. 7

