



US00D340094S

United States Patent [19]

Houry et al.

[11] Patent Number: **Des. 340,094**

[45] Date of Patent: **** Oct. 5, 1993**

[54] **TOY BEAUTY SALON CHAIR**
[75] Inventors: **Robert L. Houry, Solon; John R. Nottingham; John W. Spirk, Jr., both of Moreland Hills, all of Ohio**

D. 194,673 2/1963 Watlington D6/360
D. 236,299 8/1975 Long D6/360
D. 300,657 4/1989 Simpkins D6/367
1,660,119 2/1928 Decker 446/482
3,116,954 1/1964 Orenstein 446/296

[73] Assignee: **The Little Tikes Company, Hudson, Ohio**

Primary Examiner—Bernard Ansher
Assistant Examiner—R. Barkai
Attorney, Agent, or Firm—Richard B. O’Planick; Lisa B. Riedesel

[**] Term: **14 Years**

[21] Appl. No.: **825,165**

[57] **CLAIM**

[22] Filed: **Jan. 24, 1992**

The ornamental design for a toy beauty salon chair, as shown and described.

[52] U.S. Cl. **D21/123**

[58] **Field of Search** D21/121-123, D21/166, 168; D6/333, 339, 360, 364-365, 367, 390-391; D7/339-340, 346, 348, 350-351; D32/68-70; 446/144, 268, 296, 472, 474, 479, 481-482; 5/93.1, 97

DESCRIPTION

FIG. 1 is a top left front perspective view of a toy beauty salon chair showing our new design; FIG. 2 is a left side elevational view thereof; the opposite side being a mirror image; FIG. 3 is a front elevational view thereof; FIG. 4 is a rear elevational view thereof; FIG. 5 is a top plan view thereof; and, FIG. 6 is a bottom plan view thereof.

[56] **References Cited**
U.S. PATENT DOCUMENTS

D. 193,296 7/1962 Armbruster D6/360

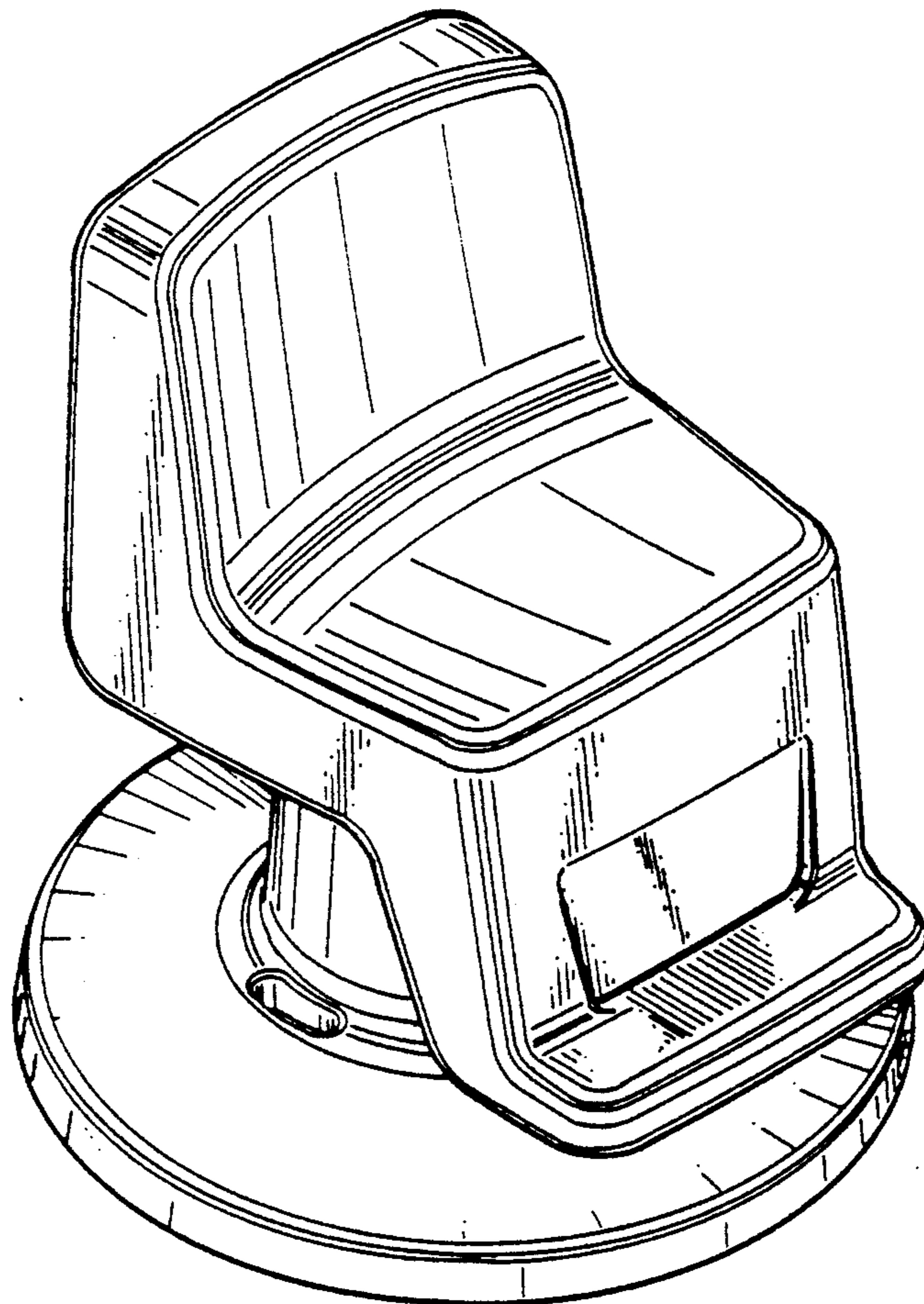


FIG. 1

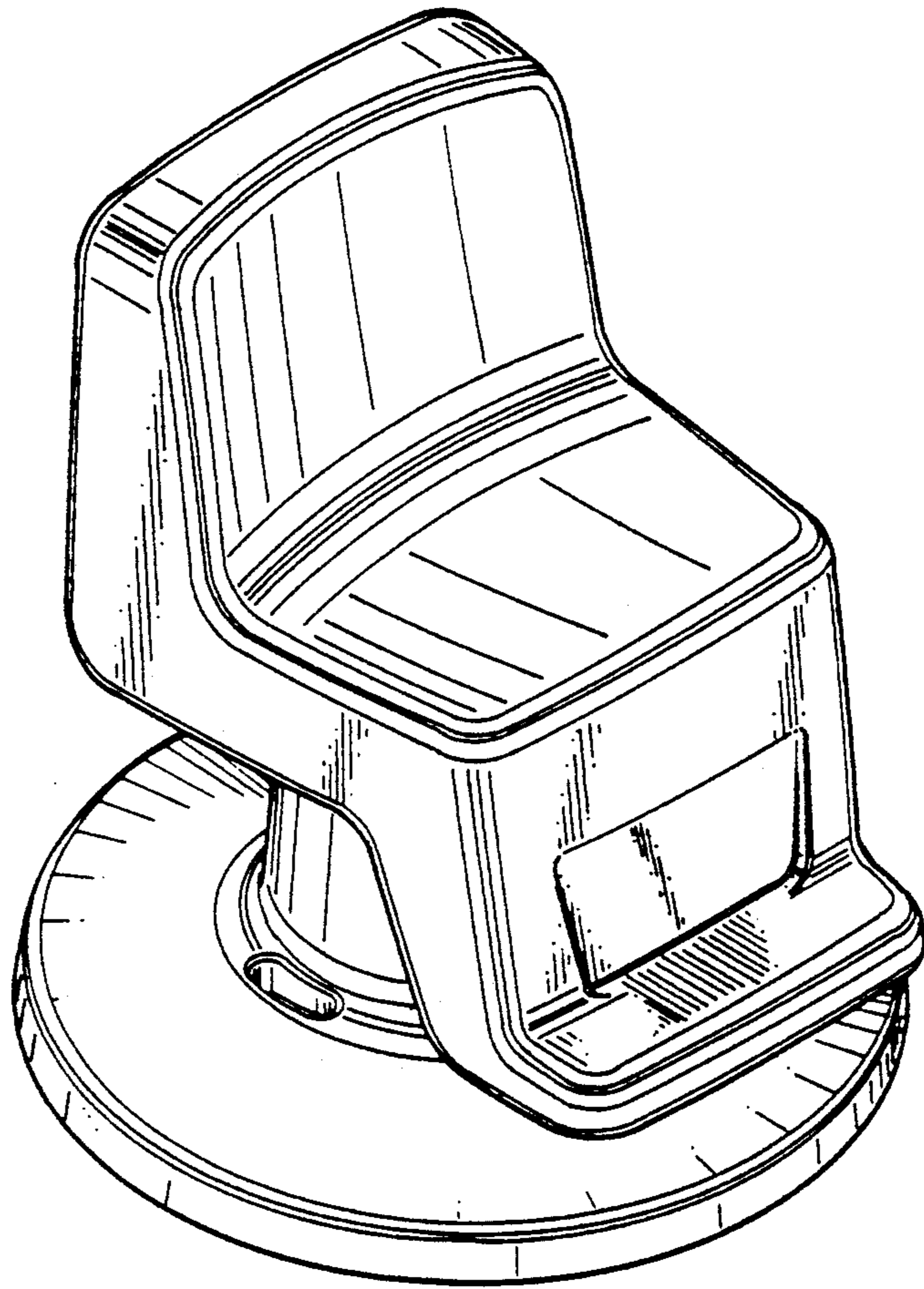


FIG. 2

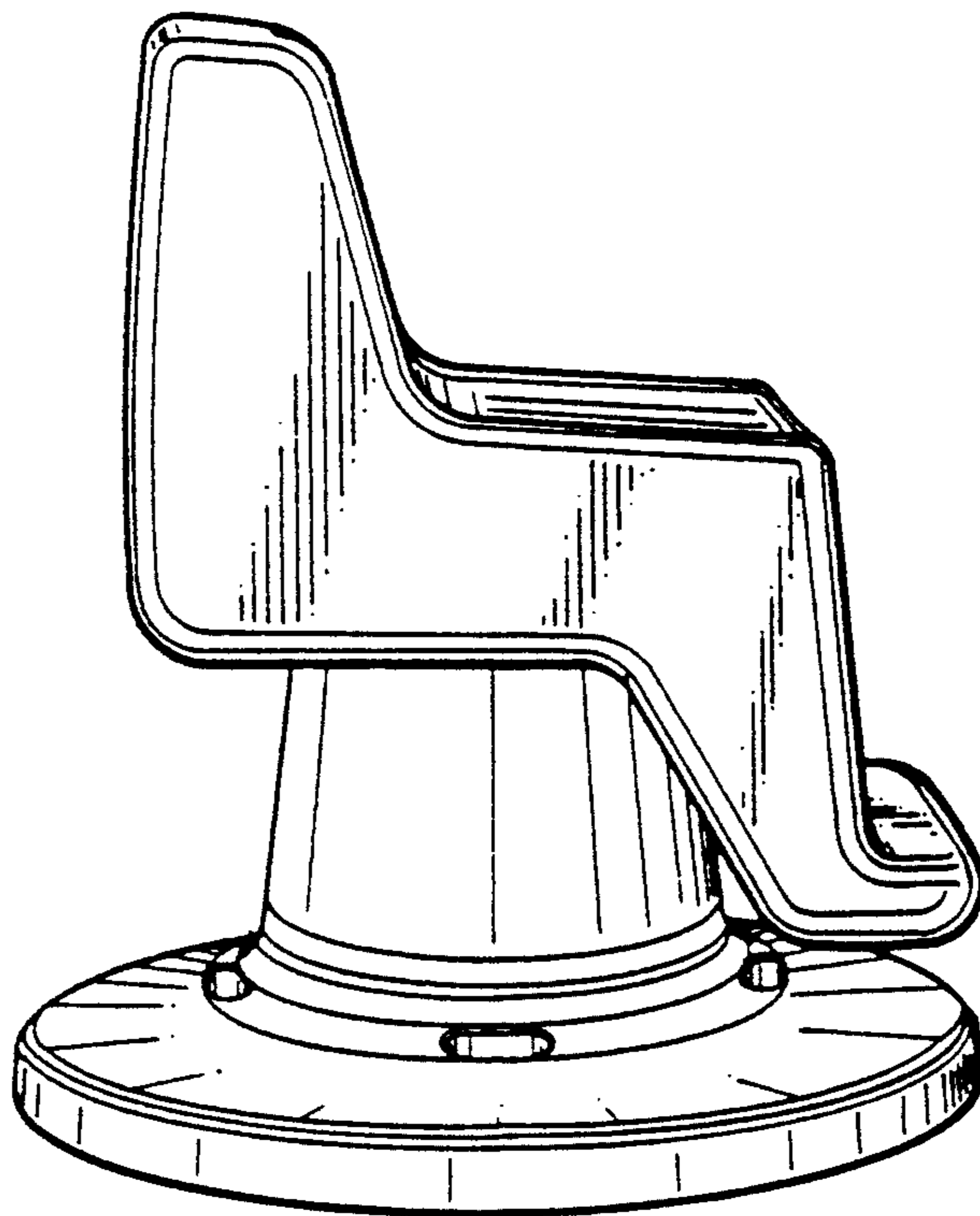


FIG. 3

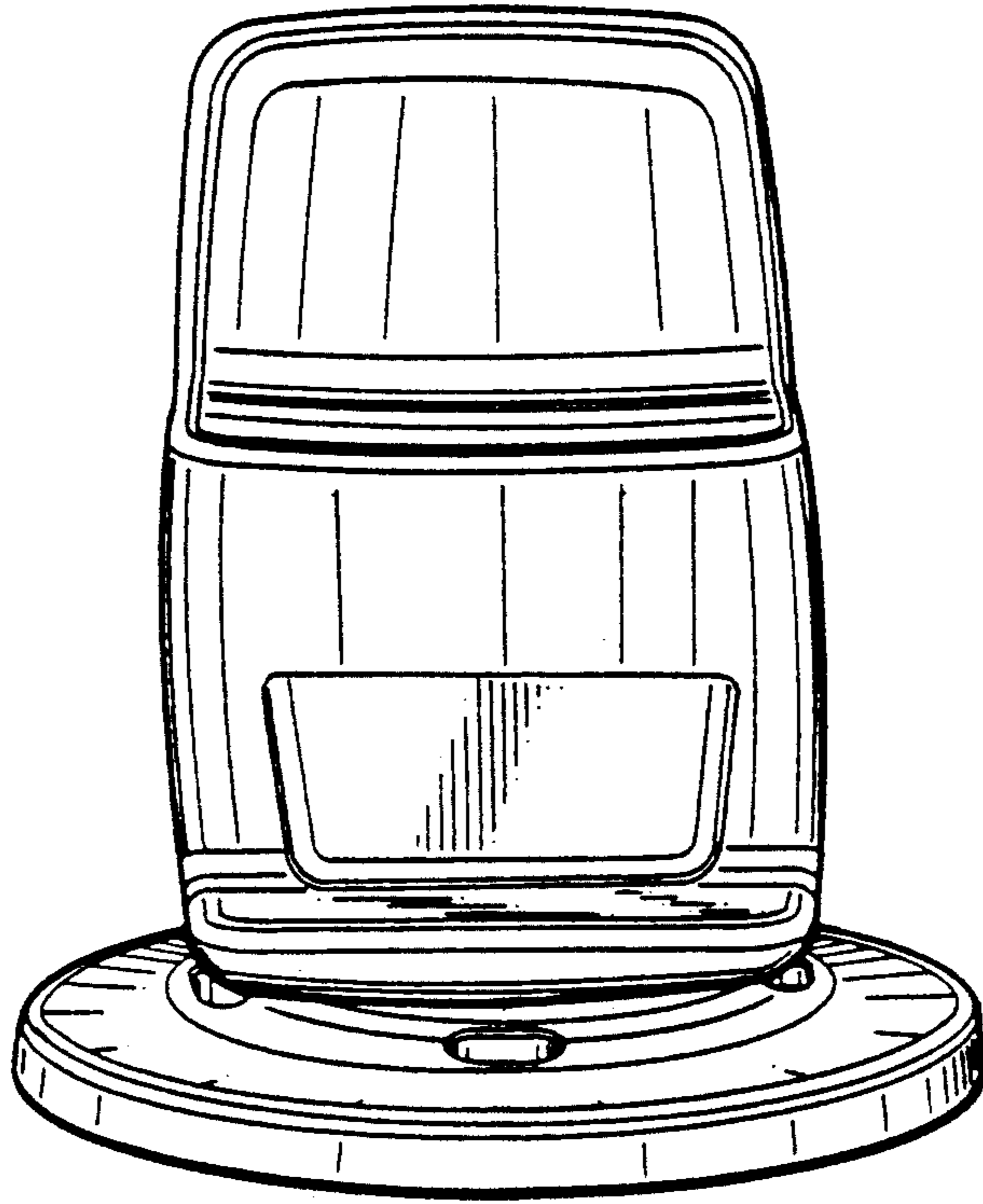


FIG. 4

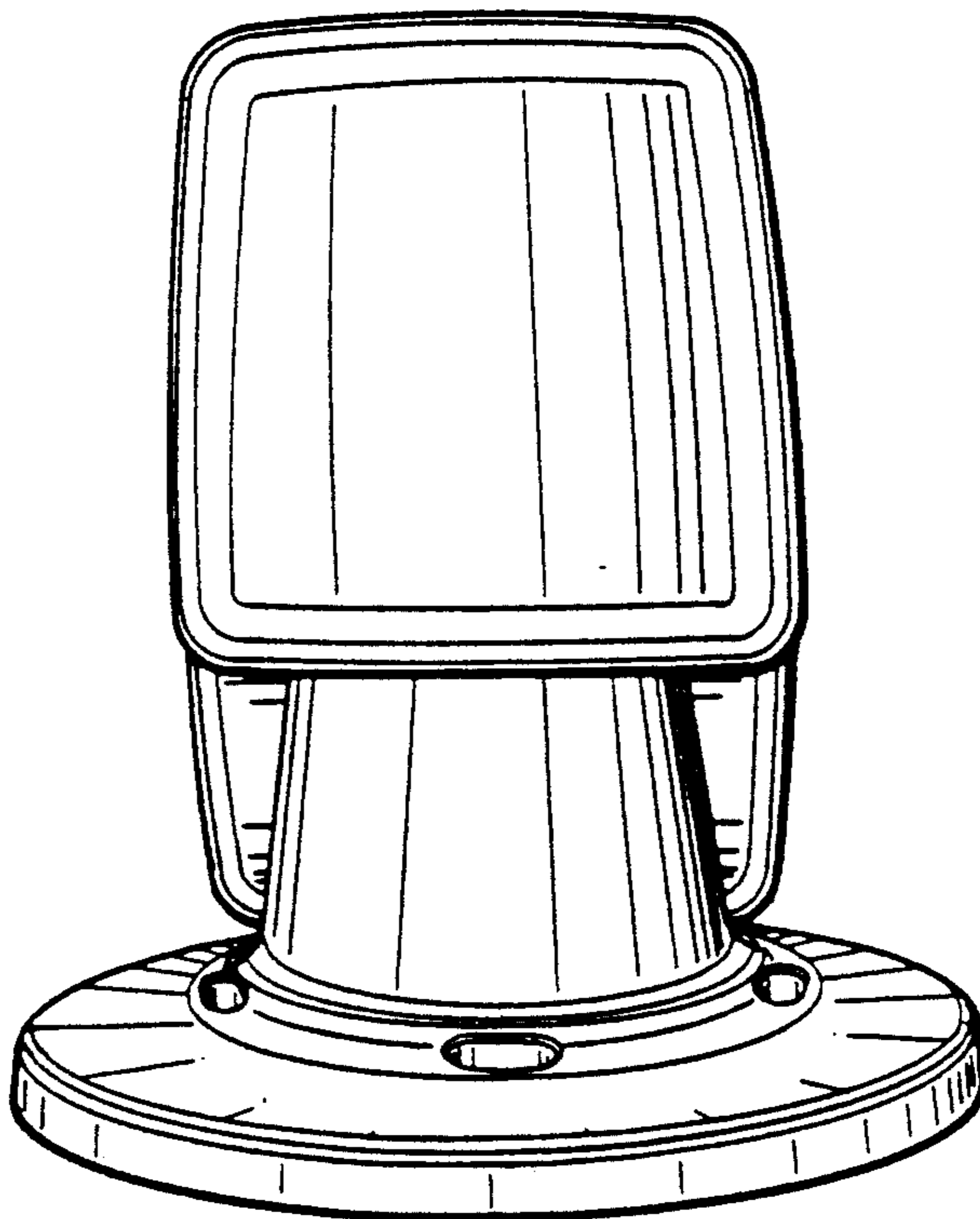


FIG. 5

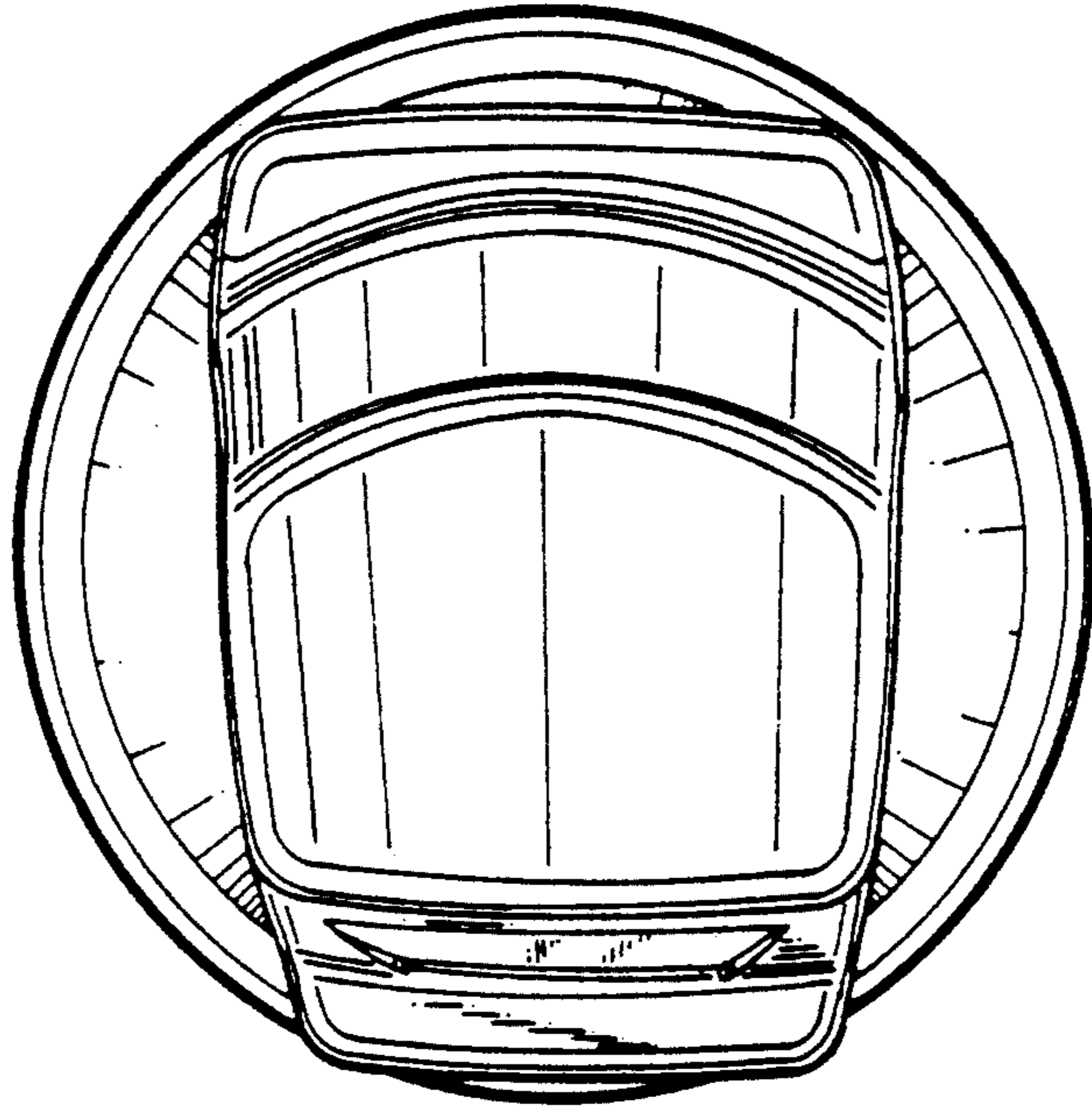


FIG. 6

