



US00D340090S

United States Patent [19]

[11] Patent Number: **Des. 340,090**

Augenstein

[45] Date of Patent: **** Oct. 5, 1993**

[54] **PLAY CASE**

4,361,981 12/1982 Reiling et al. 446/219
4,936,463 6/1990 Tiramani 132/315 X

[76] Inventor: **Leonhard Augenstein, Ungsteinerstr. 3, 8000 München 90, Fed. Rep. of Germany**

Primary Examiner—Bernard Ansher
Assistant Examiner—Paula Mortimer
Attorney, Agent, or Firm—Keck, Mahin & Cate

[**] Term: **14 Years**

[57] **CLAIM**

[21] Appl. No.: **697,277**

The ornamental design for a play case, as shown and described.

[22] Filed: **May 8, 1991**

[30] **Foreign Application Priority Data**

DESCRIPTION

Nov. 27, 1990 [DE] Fed. Rep. of Germany 9007848

FIG. 1 is a top plan view of a play case showing my new design;

[52] U.S. Cl. **D21/59; D3/39**

FIG. 2 is a front elevational view thereof;

[58] Field of Search D3/73, 39, 30.1, 66,

FIG. 3 is a right side elevational view thereof;

D3/78; D9/423, 308, 345; D21/59; 220/DIG.

FIG. 4 is a left side elevational view thereof;

26, 22, 20, 337, 239; 132/315; 224/252, 312;

FIG. 5 is a bottom plan view thereof;

D28/78, 91, 99; 206/235, 581, 351, 314, 38, 581,

FIG. 6 is a rear elevational view thereof;

37, 823; 446/75, 76, 296, 219

FIG. 7 is a front perspective view thereof, shown in a closed position;

[56] **References Cited**

U.S. PATENT DOCUMENTS

D. 109,666 5/1938 Margell D3/39

FIG. 8 is a front elevational view thereof, shown in an opened position;

D. 298,106 10/1988 Zutler D9/423 X

FIG. 9 is a top plan view thereof, shown in an opened position; and,

1,736,651 11/1929 Glaenger 220/DIG. 26 X

FIG. 10 is a front perspective view thereof, shown in an opened position.

1,752,948 4/1930 Herrmann 132/315 X

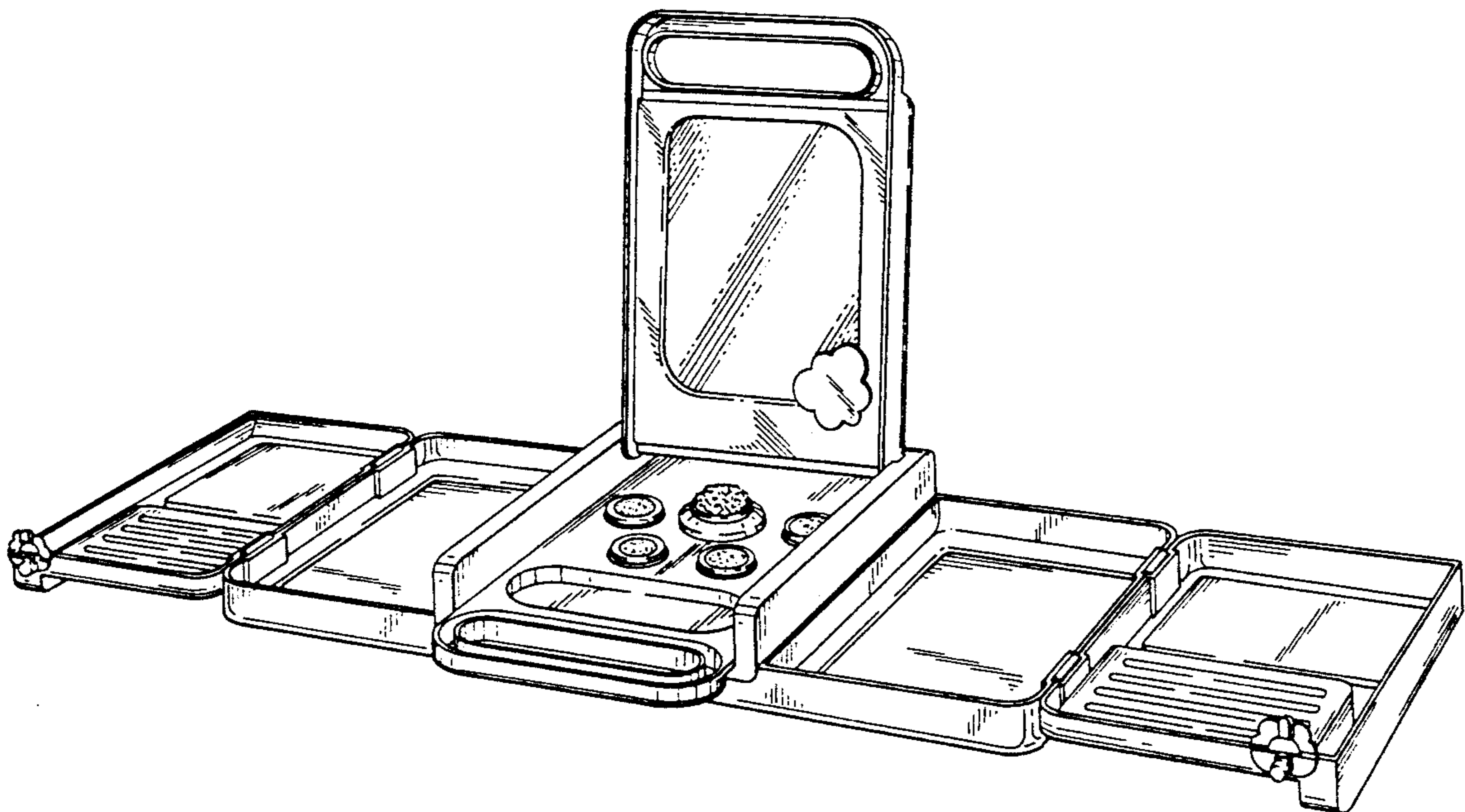


Fig. 2

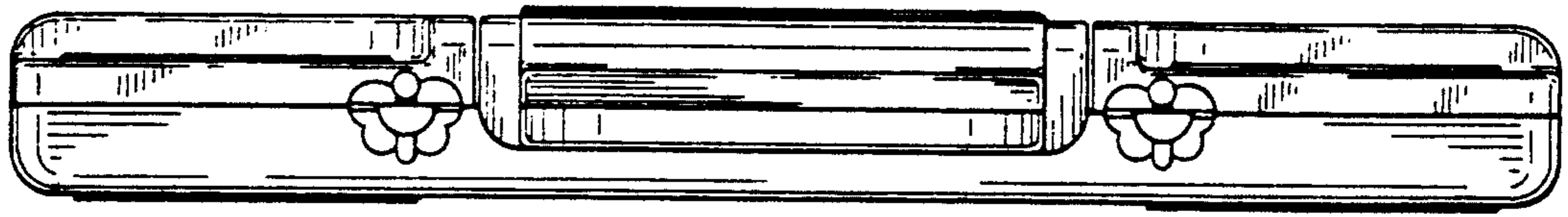


Fig. 1

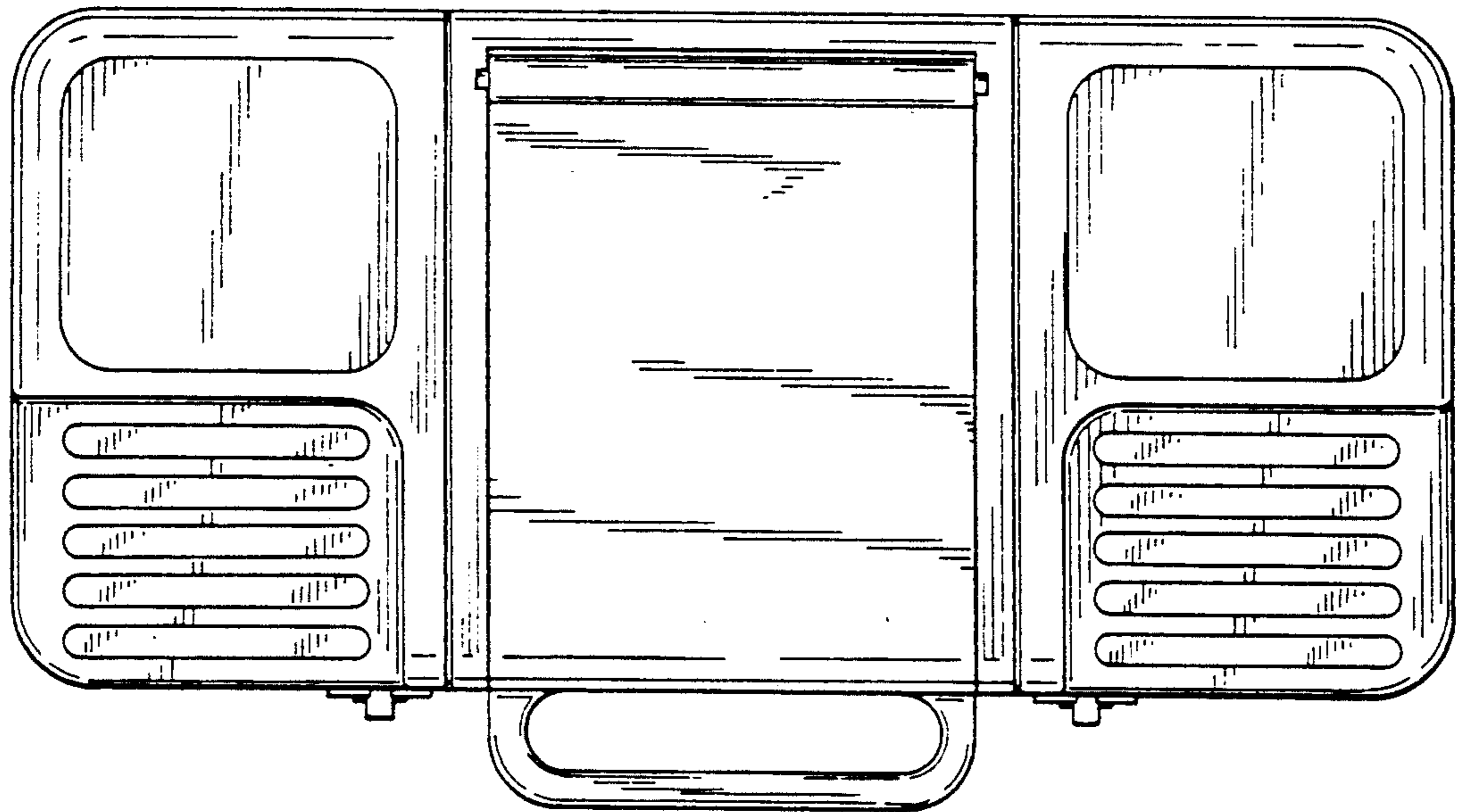


Fig. 3

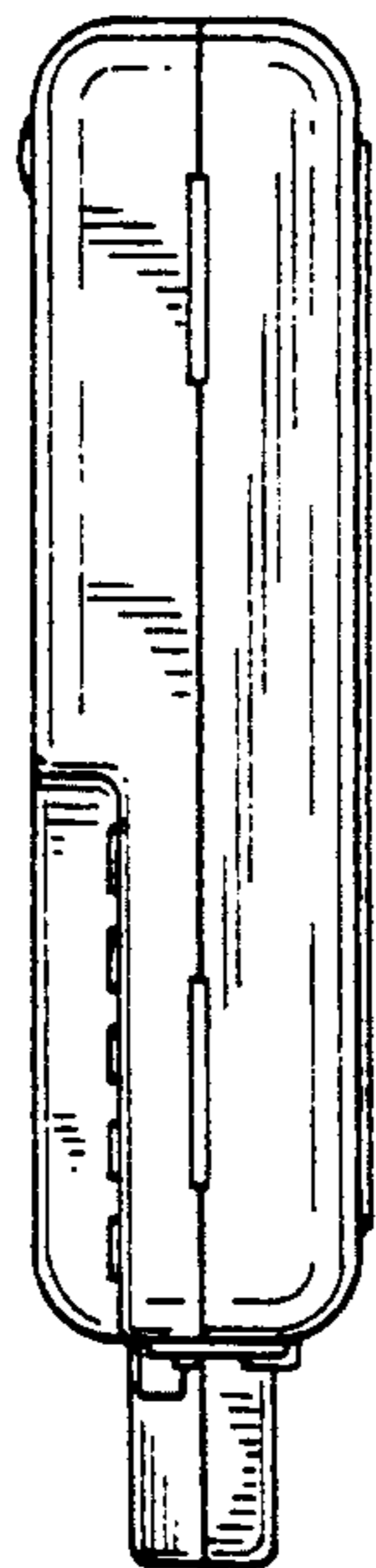


Fig. 4

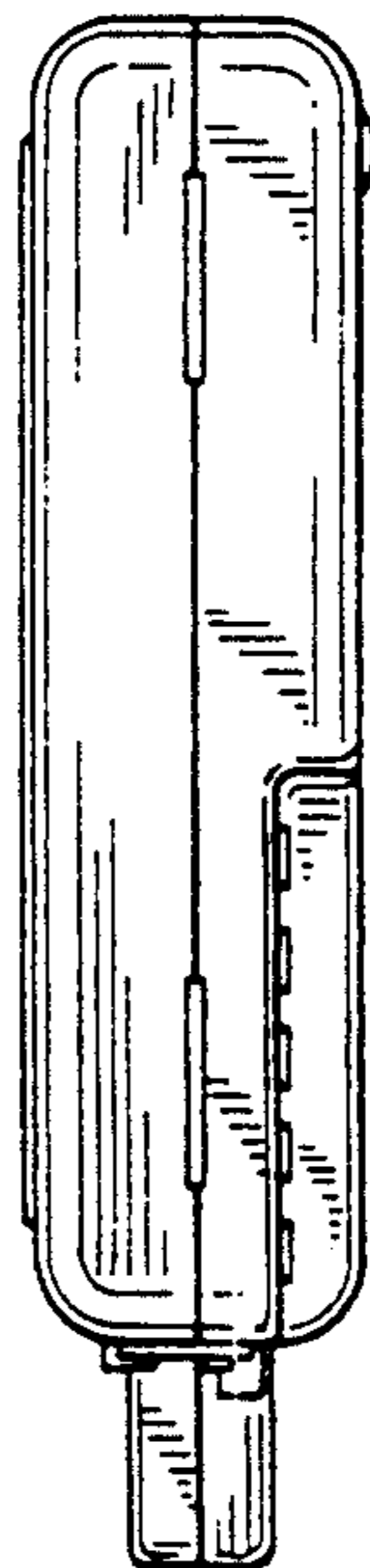


Fig. 5

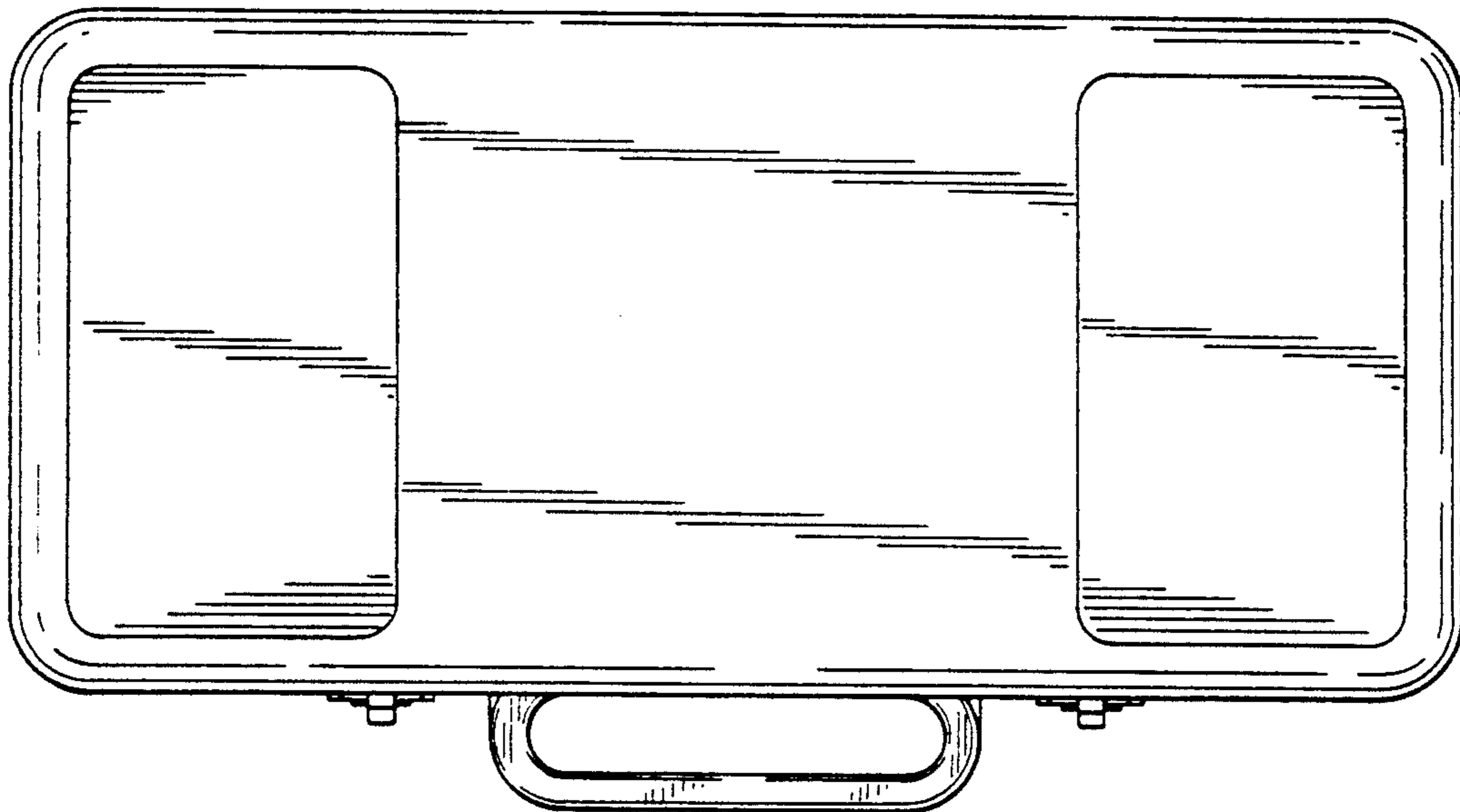


Fig. 6

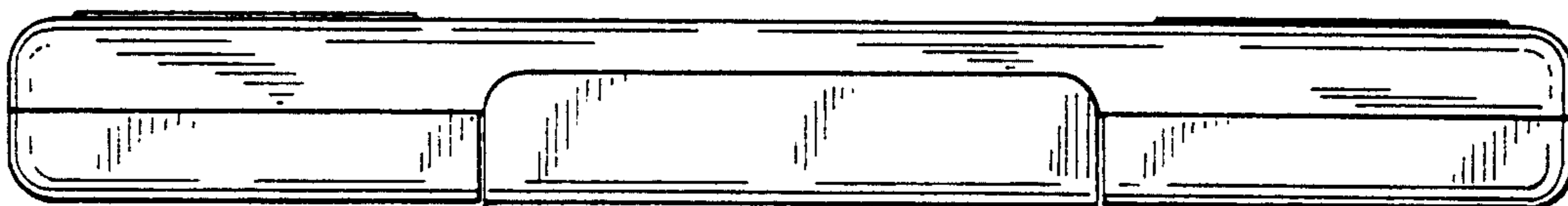
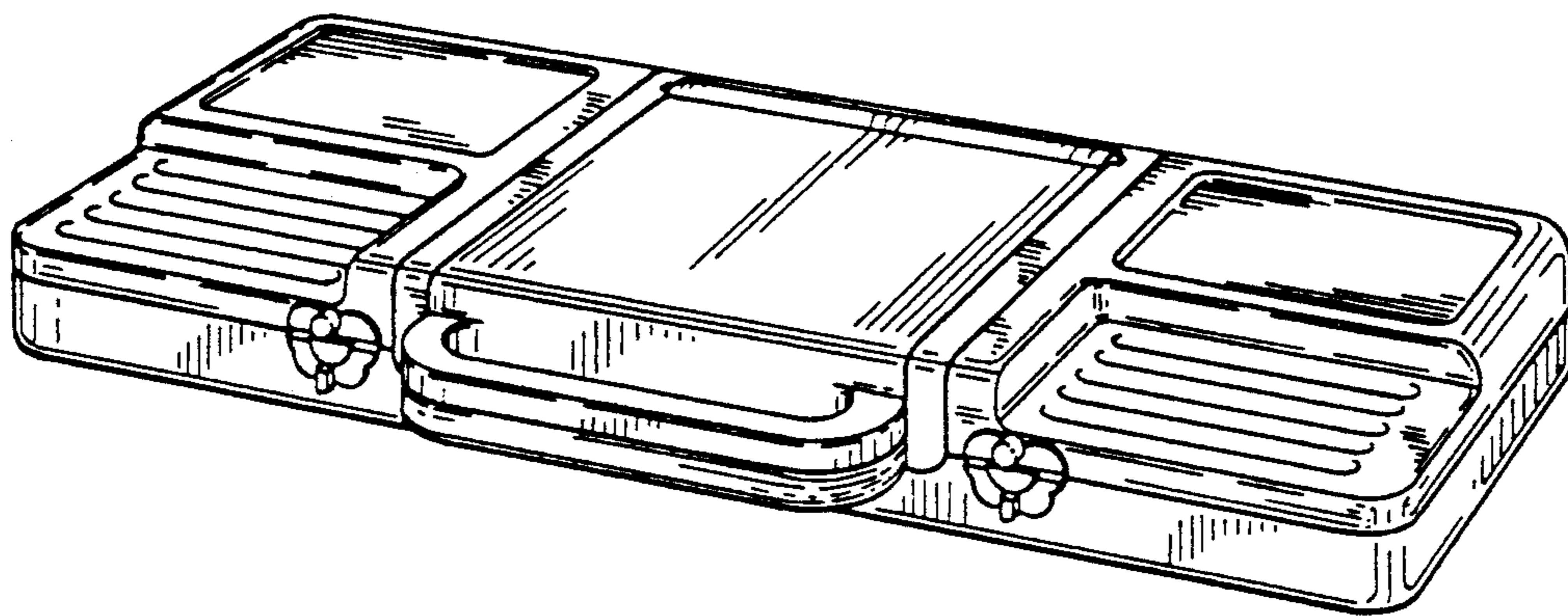


Fig. 7



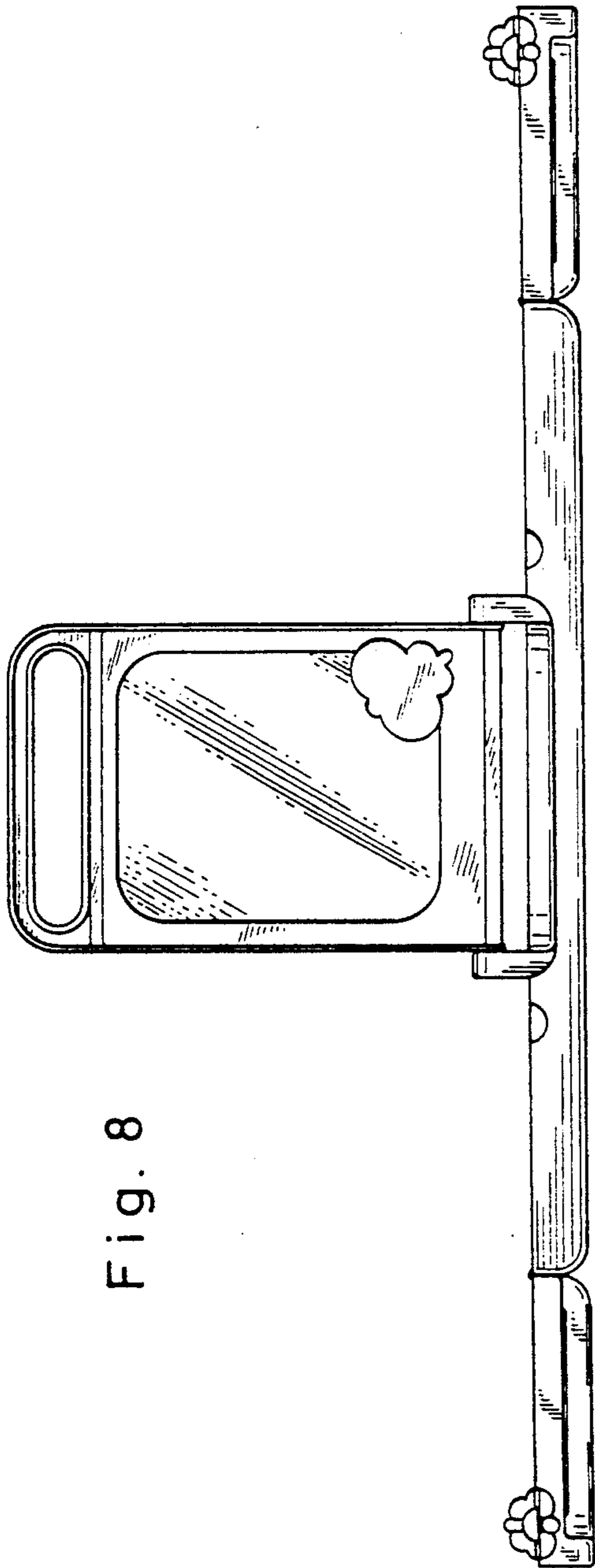


Fig. 8

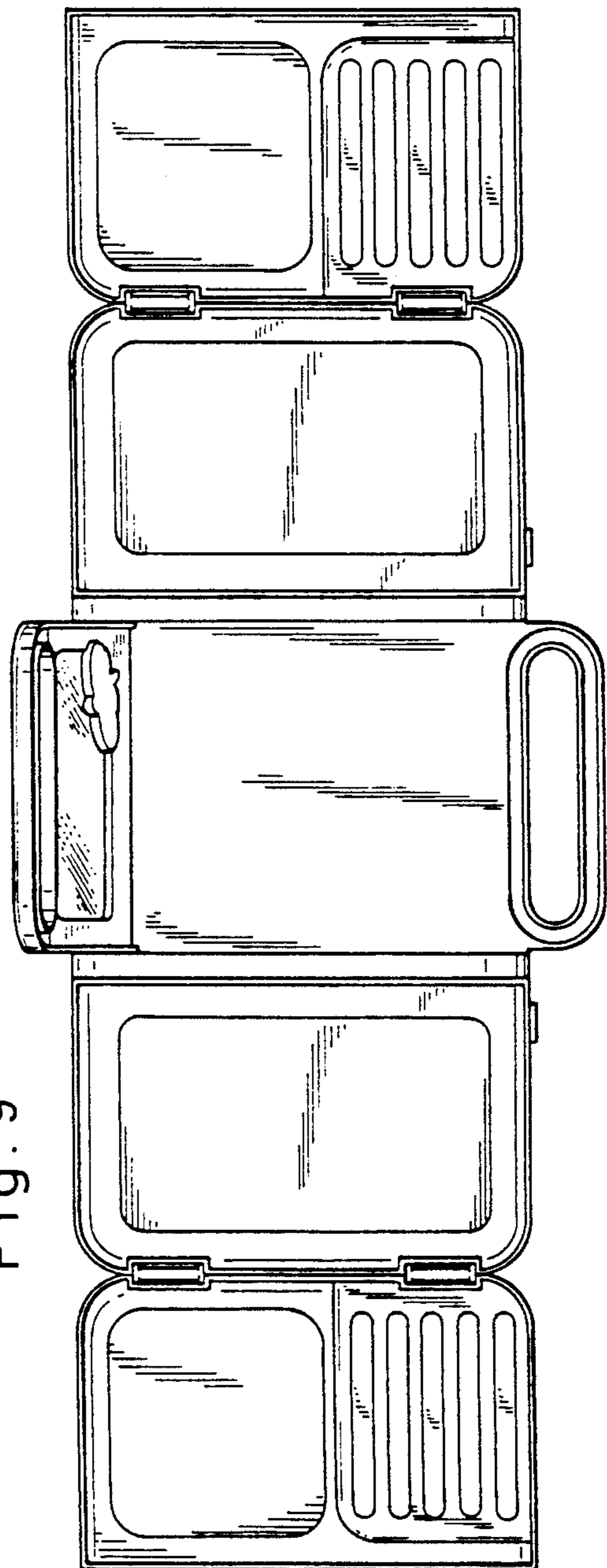


Fig. 9

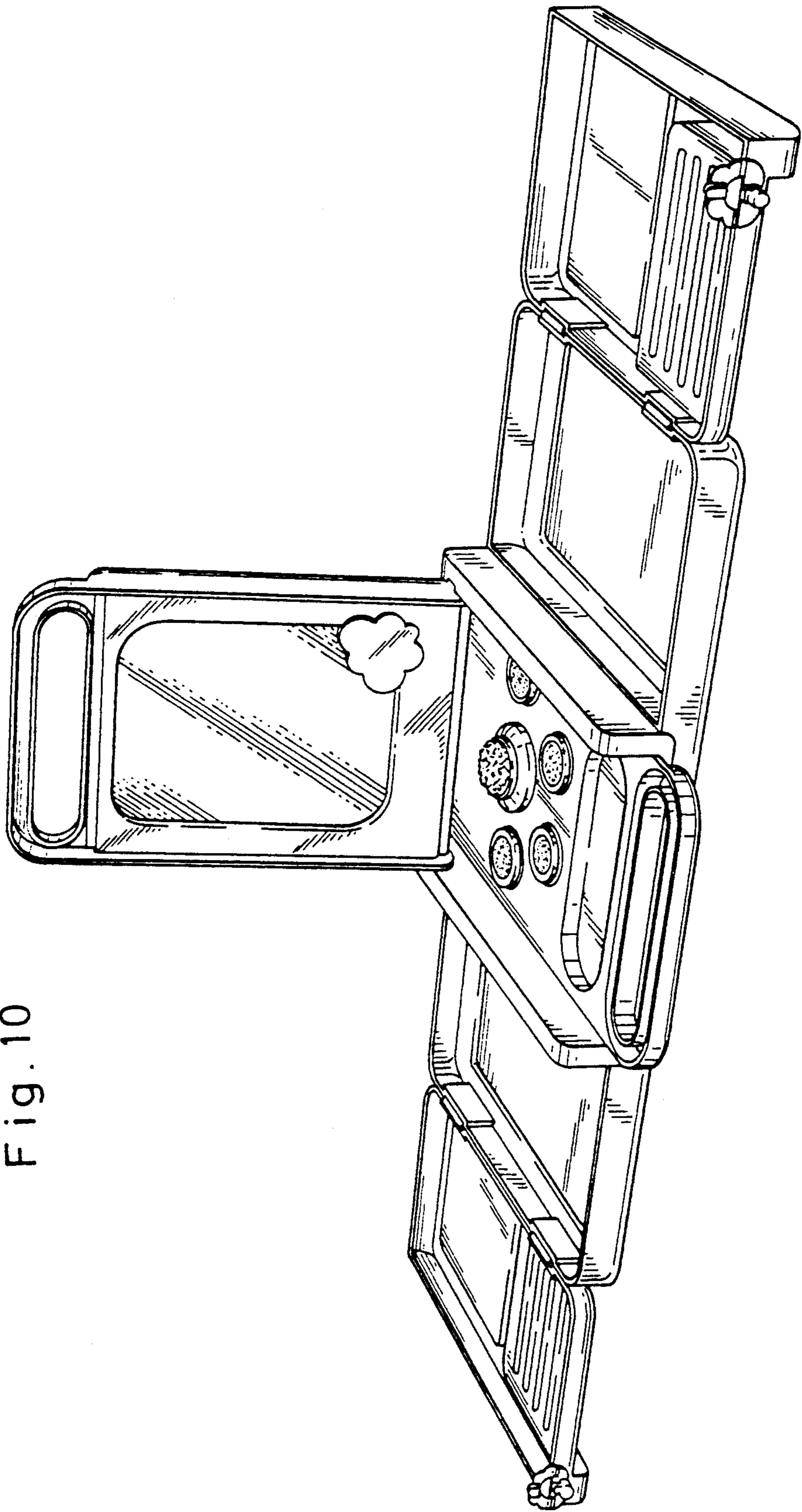


Fig. 10