



US00D340083S

# United States Patent [19]

[11] Patent Number: **Des. 340,083**

Davis

[45] Date of Patent: **\*\* Oct. 5, 1993**

[54] **GAME BOARD**

3,190,655 6/1965 Lovie ..... D21/34  
3,460,835 8/1969 Crans ..... 273/236

[76] Inventor: **Kenneth Davis**, 166-26 Powells Cove Blvd., Whitestone, N.Y. 11357

*Primary Examiner*—Bernard Ansher  
*Assistant Examiner*—Sandra Morris  
*Attorney, Agent, or Firm*—Evelyn M. Sommer

[\*\*] Term: **14 Years**

[21] Appl. No.: **620,912**

[57] **CLAIM**

[22] Filed: **Nov. 29, 1990**

The ornamental design for a game board, as shown.

[52] U.S. Cl. .... **D21/22; D21/16**

**DESCRIPTION**

[58] Field of Search ..... **D21/1, 13, 14-36; 273/236-285**

FIG. 1 is a top plan view of a game board, showing my new design;

[56] **References Cited**

**U.S. PATENT DOCUMENTS**

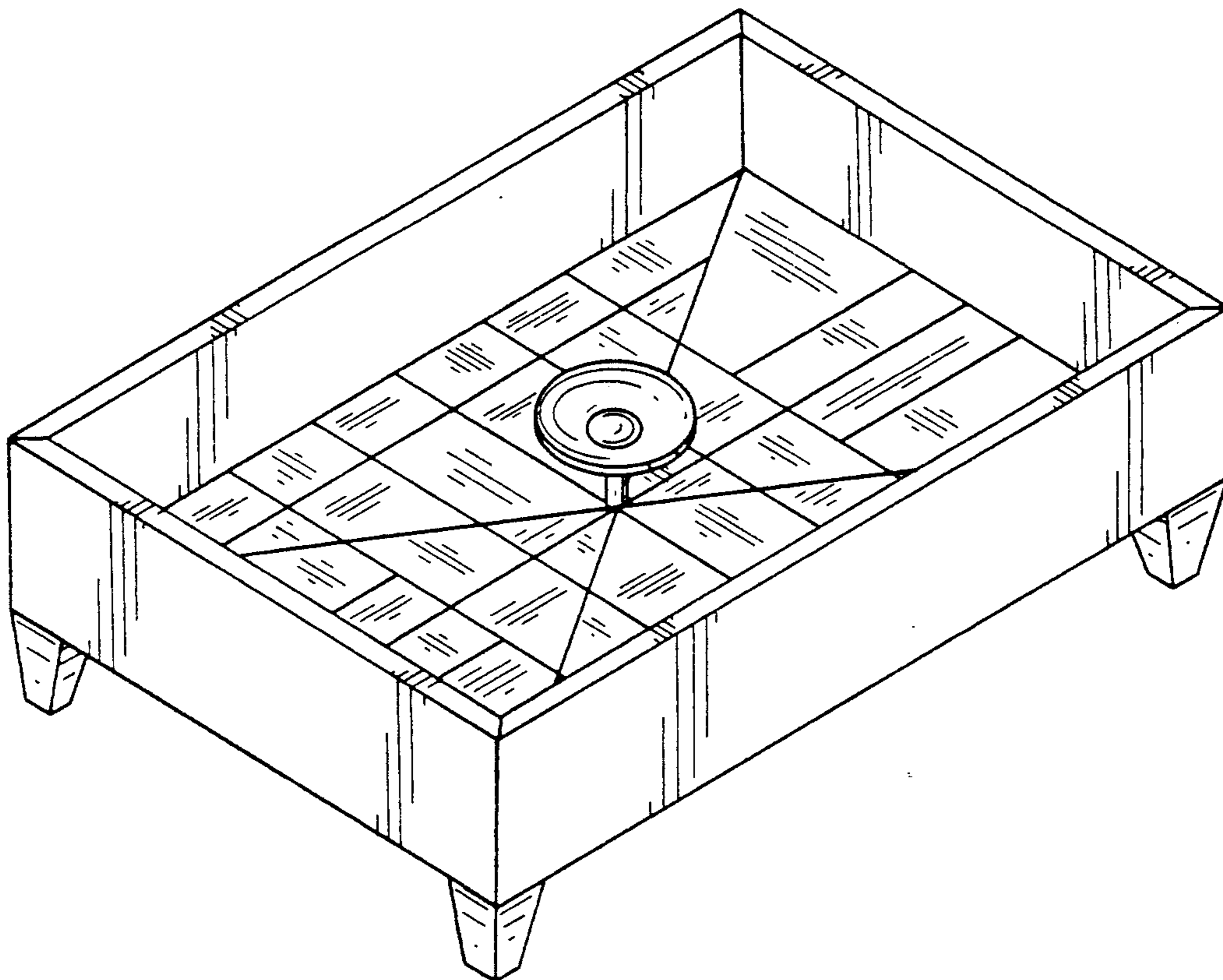
D. 113,650	3/1939	Babcock	.....	D21/17
D. 212,629	11/1968	Dickerson	.....	D21/24
D. 242,934	1/1977	Tsukuda	.....	D21/16
2,030,322	2/1936	Scherer	.....	D21/14
3,073,601	1/1963	Baillo	.....	273/284

FIG. 2 is a front side view of the game board of FIG. 1, of which the rear side is a mirror image;

FIG. 3 is a bottom plan view thereof;

FIG. 4 is a right side view of the game board of FIG. 1, of which the left side is a mirror image; and,

FIG. 5 shows a perspective of the game board of FIG. 1.



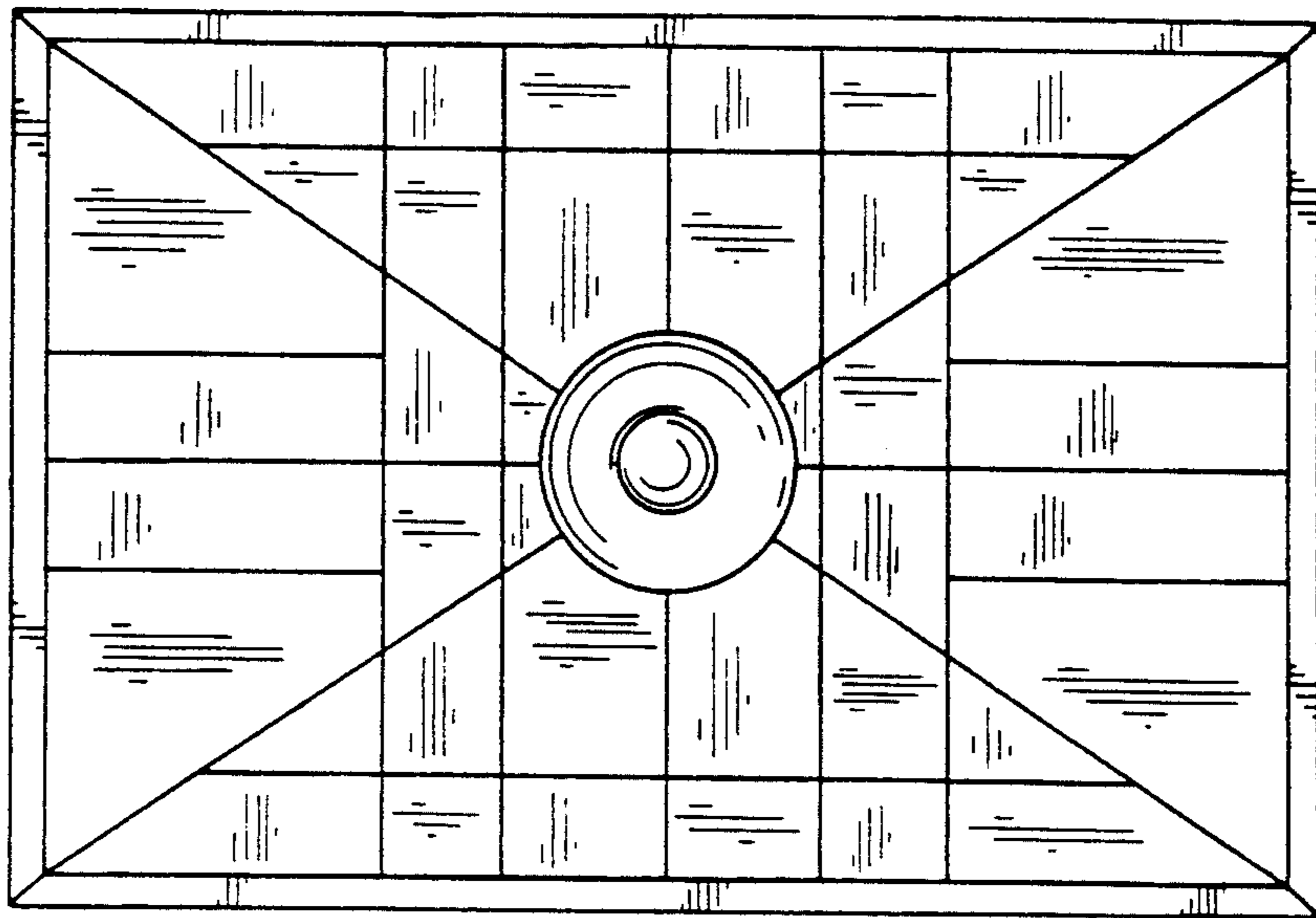


FIG. 1

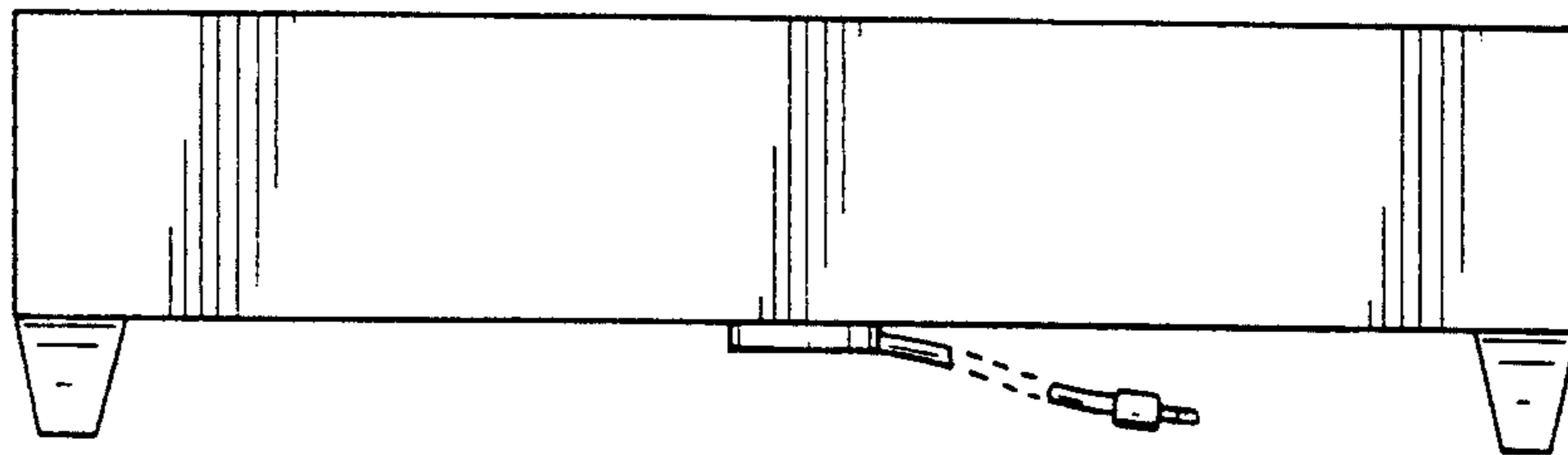


FIG. 2

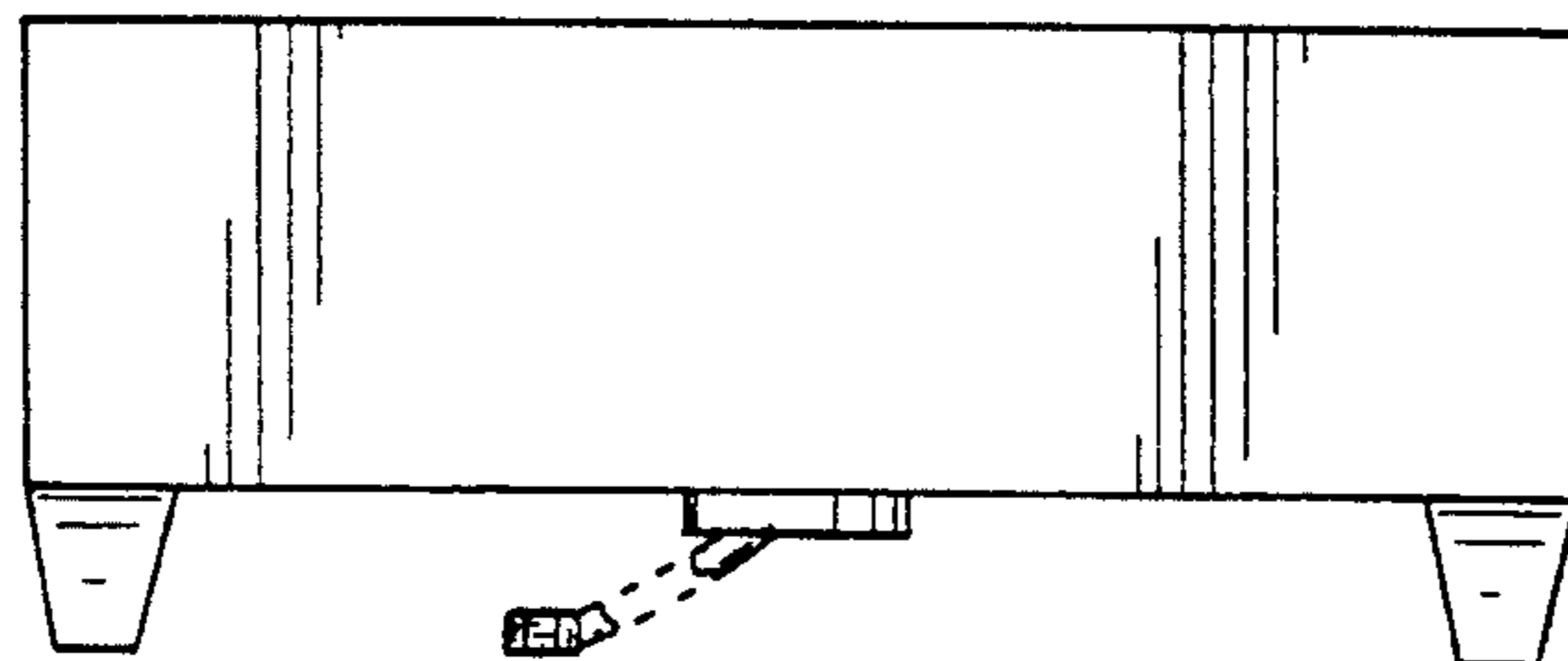


FIG. 4

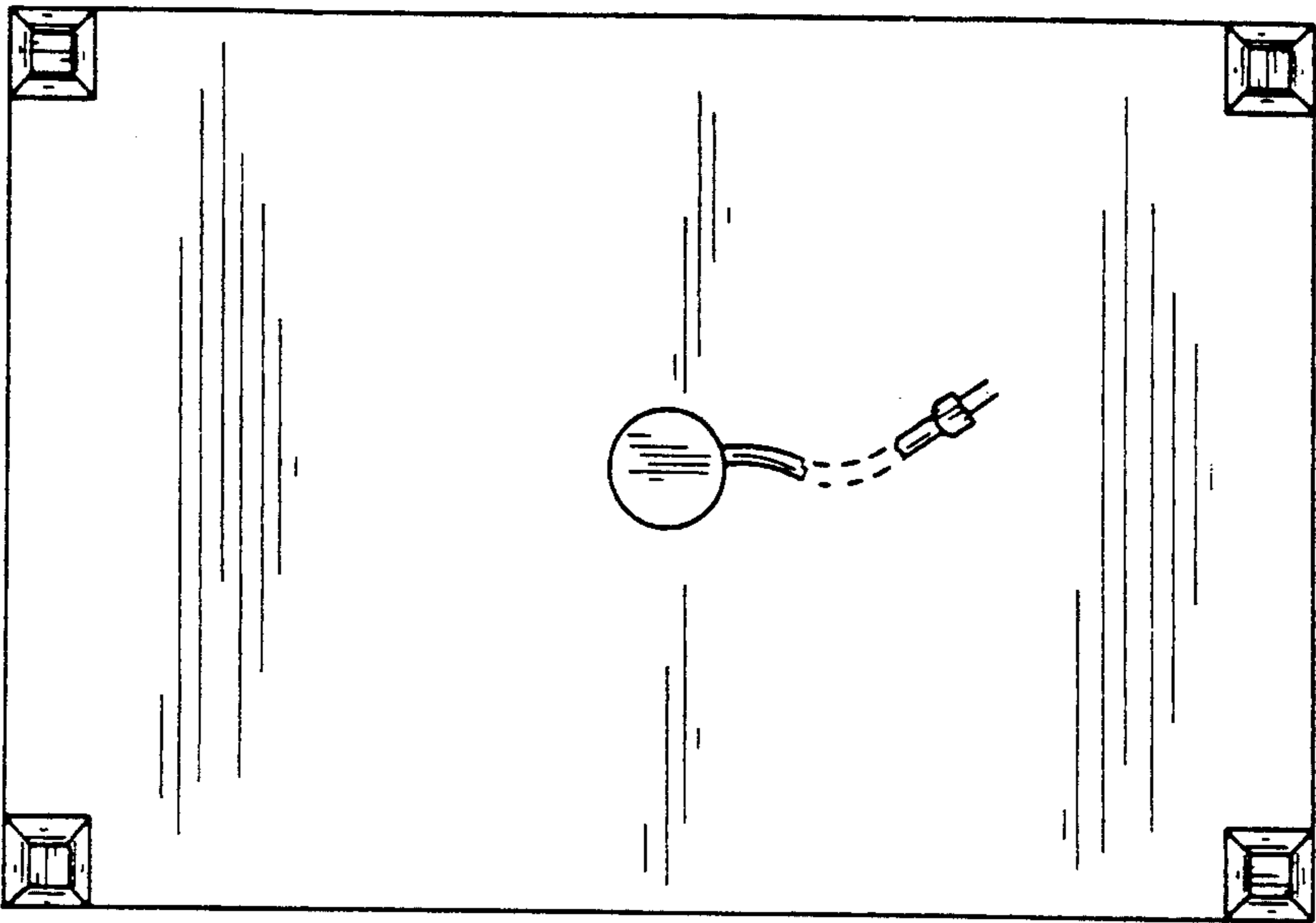


FIG. 3

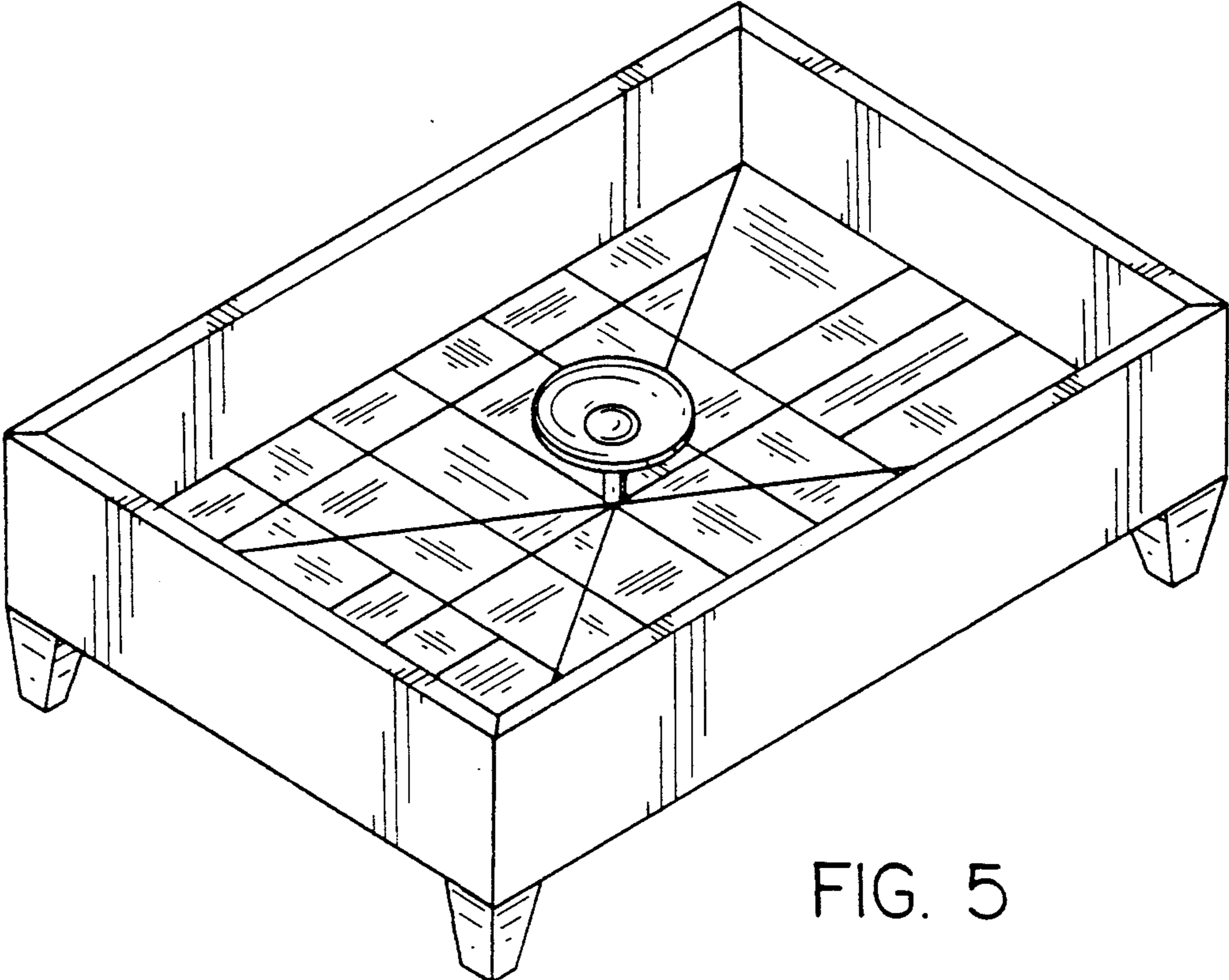


FIG. 5