



US00D340071S

United States Patent [19]

[11] Patent Number: **Des. 340,071**

Sun

[45] Date of Patent: **** Oct. 5, 1993**

[54] **ROTARY ORGANIZER FOR ASSORTED DESK ARTICLES**

D. 329,766 9/1992 Ancona et al. D19/77 X
D. 330,728 11/1992 Liao D19/77 X

[76] Inventor: **Jam Sun**, No. 39, Lane 106, Sec. 7, Yenping N. Rd., Taipei, Taiwan

Primary Examiner—Nelson C. Holtje
Assistant Examiner—Martha Thompson
Attorney, Agent, or Firm—Morton J. Rosenberg; David I. Klein

[**] Term: **14 Years**

[21] Appl. No.: **891,480**

[57] **CLAIM**

[22] Filed: **Jun. 3, 1992**

The ornamental design for a rotary organizer for assorted desk articles, as shown and described.

[52] U.S. Cl. **D19/77; D19/65; D19/75; D19/85; D7/641**

DESCRIPTION

[58] Field of Search **D3/74; D7/641; D19/35, D19/36, 65, 75, 76, 77, 78, 84, 85, 95, 99, 100; 206/214, 224, 371; 211/69.1-69.9; 220/500, 505**

FIG. 1 is a perspective view from the front, left, and top side of a rotary organizer for assorted desk articles showing my design;

[56] **References Cited**

U.S. PATENT DOCUMENTS

D. 303,552 9/1989 Ancona et al. D19/77
D. 328,100 7/1992 Liao D19/77
D. 328,472 8/1992 Ancona et al. D19/77

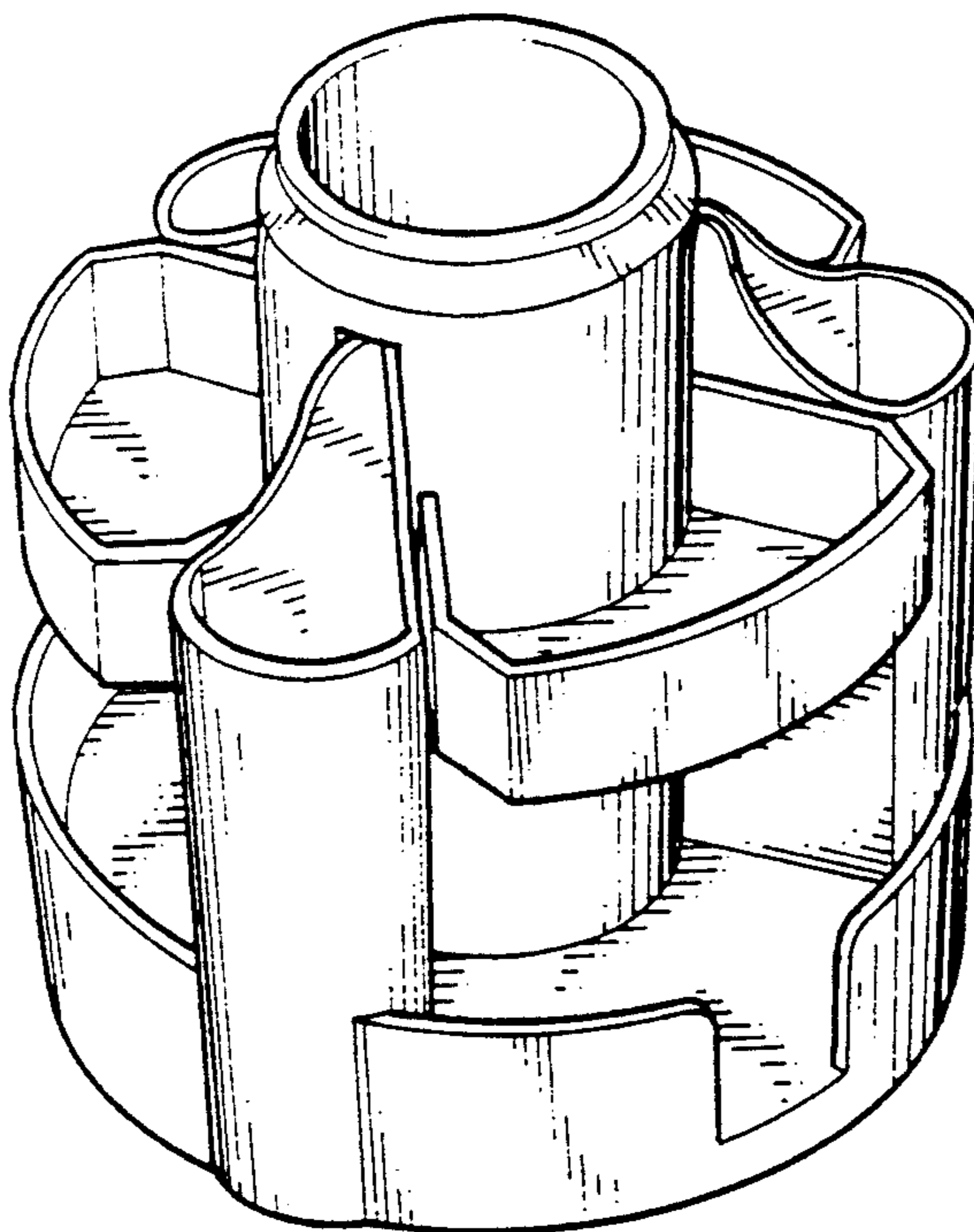
FIG. 2 is a front elevational view thereof;

FIG. 3 is a rear elevational view thereof;

FIG. 4 is a top plan view thereof;

FIG. 5 is a bottom plan view thereof; and,

FIG. 6 is a right side elevational view thereof (the left side view being a mirror image thereof).



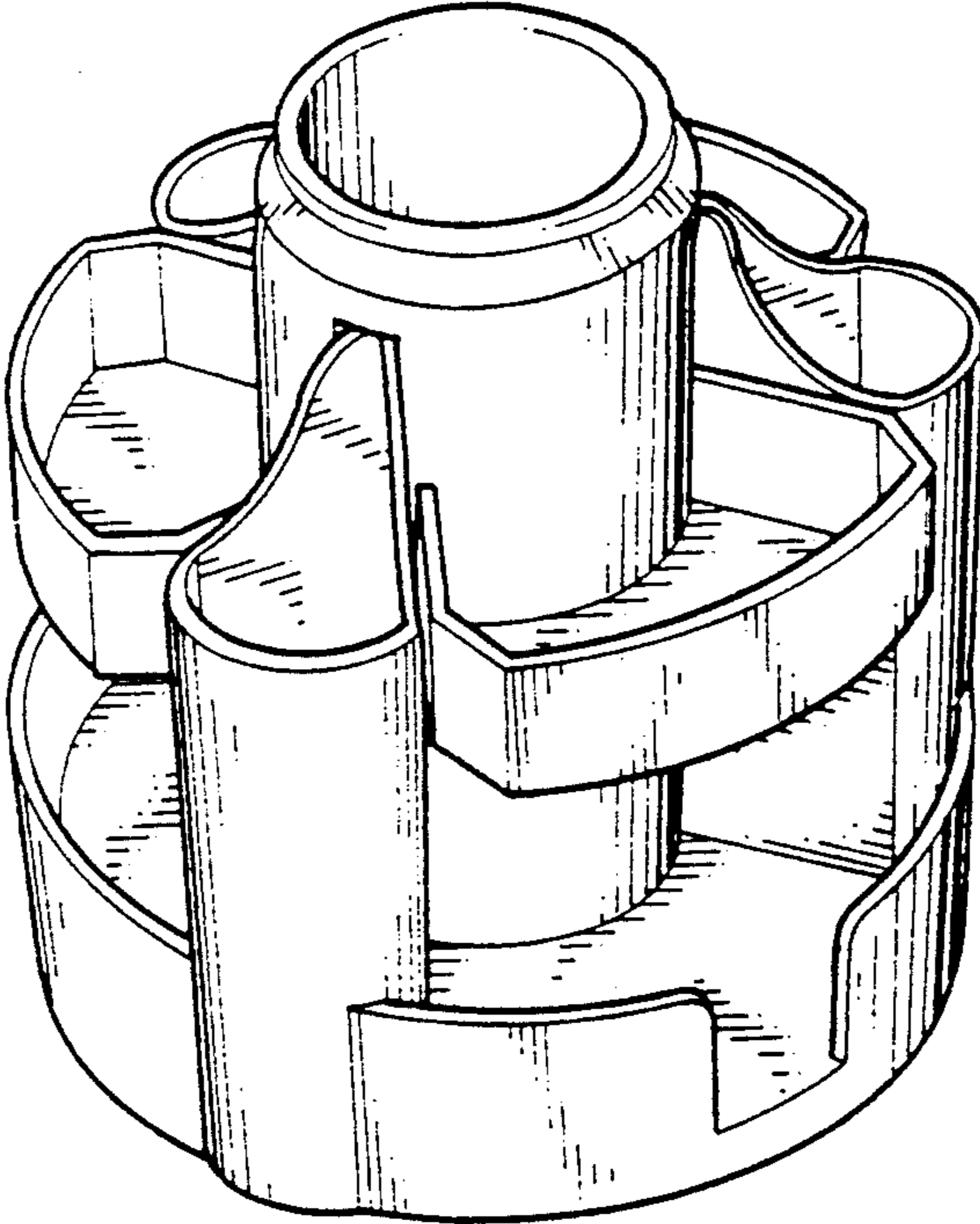


FIG. 1

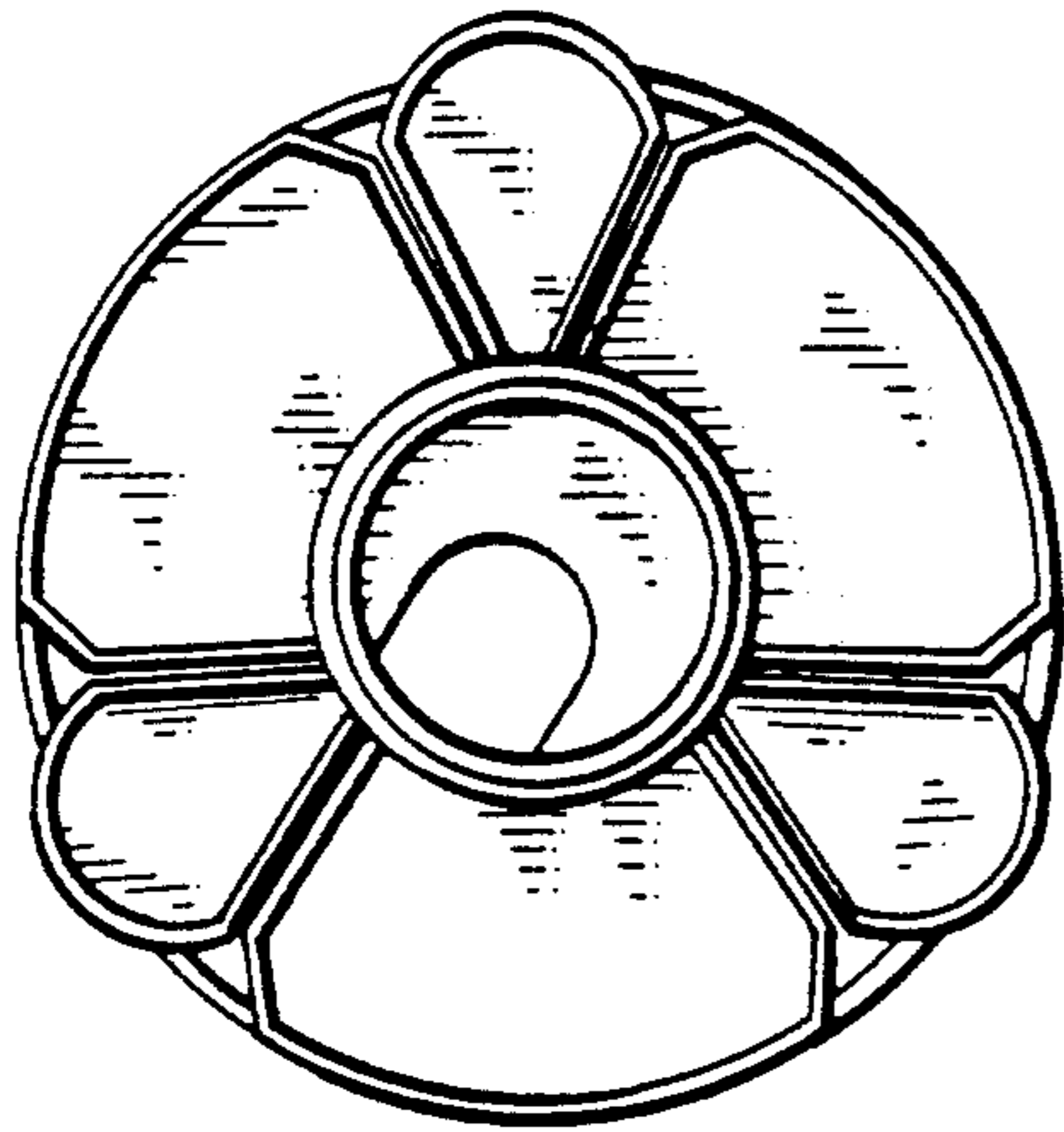


FIG. 4

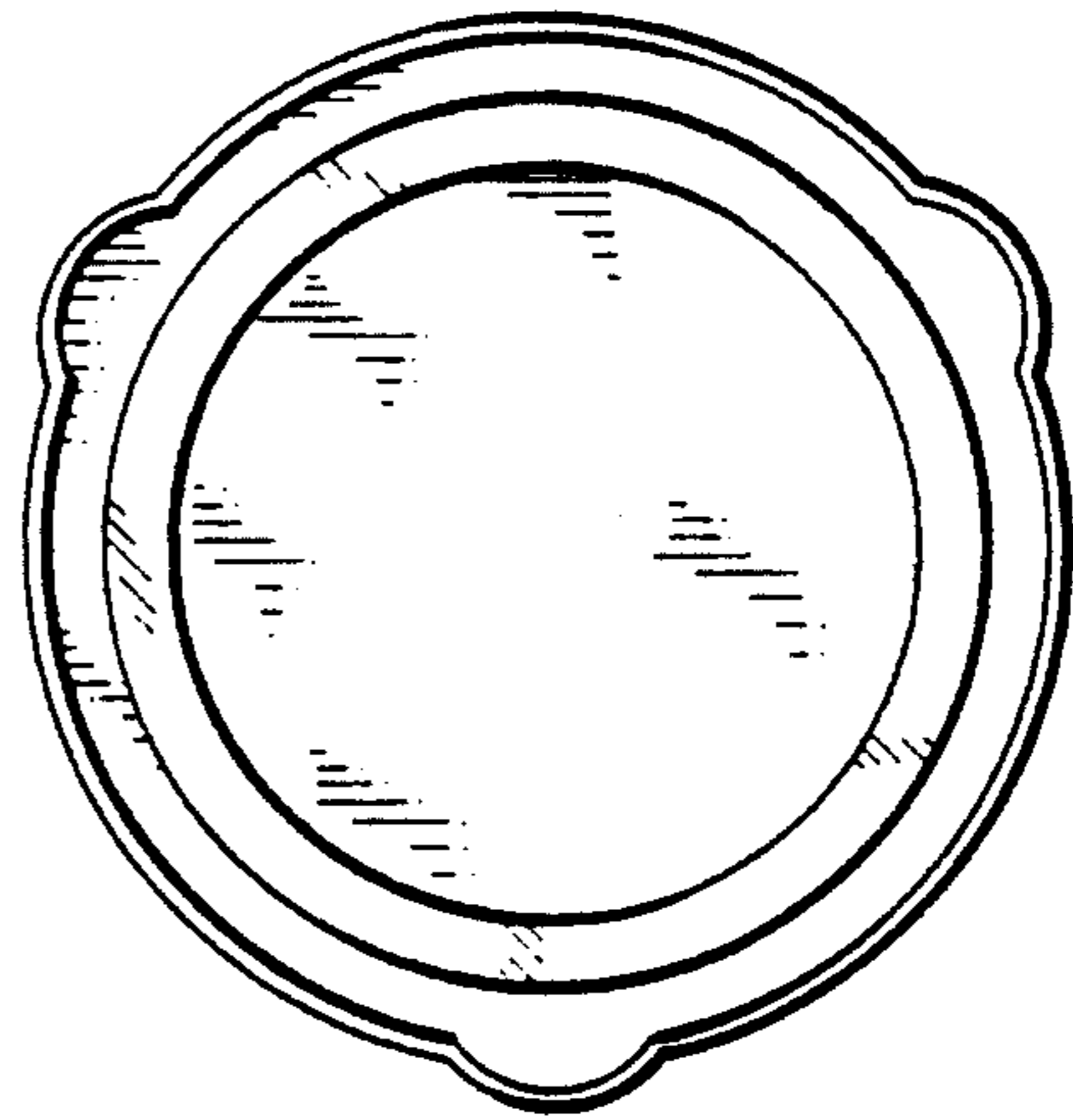


FIG. 5

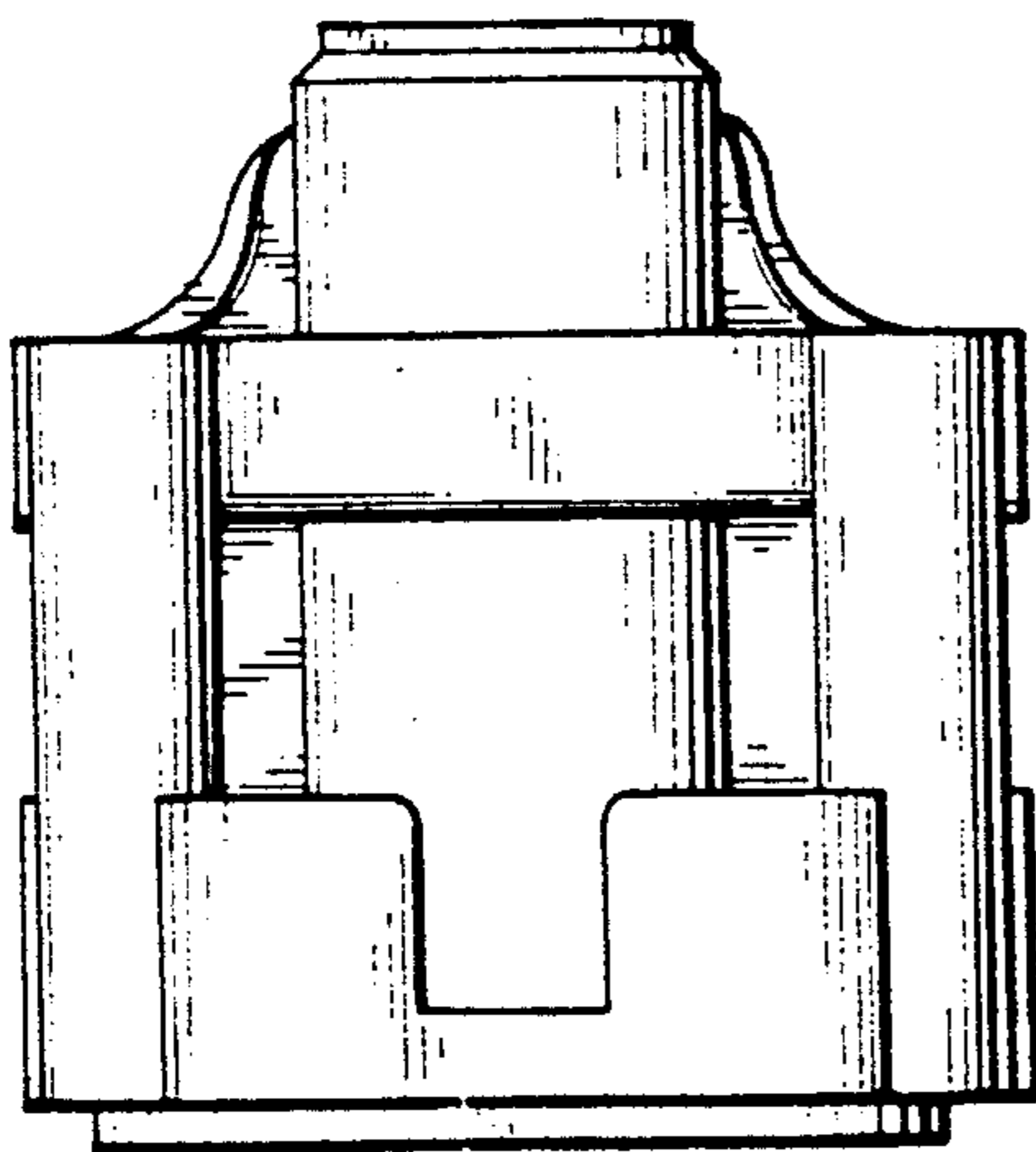


FIG. 2

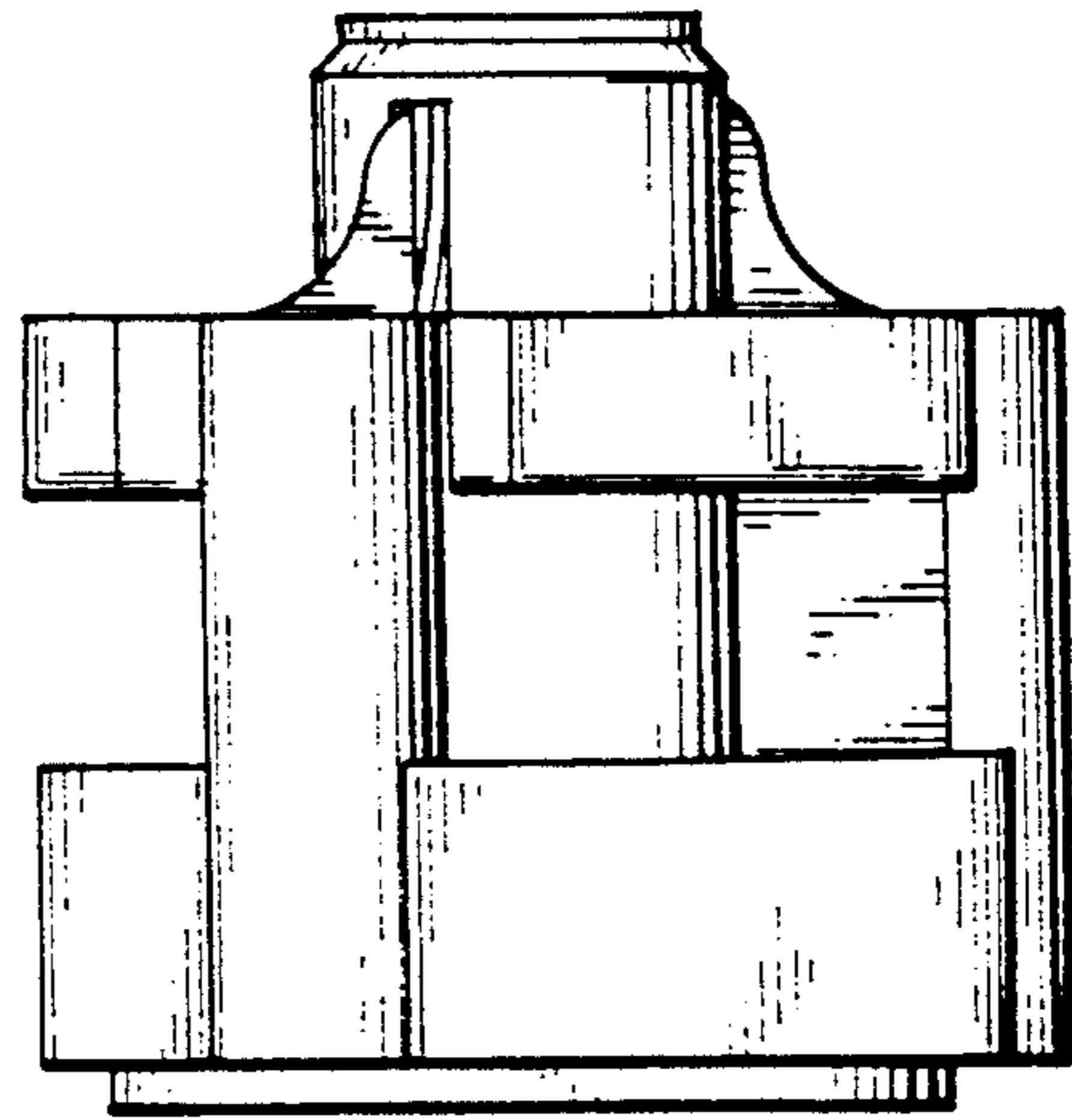


FIG. 6

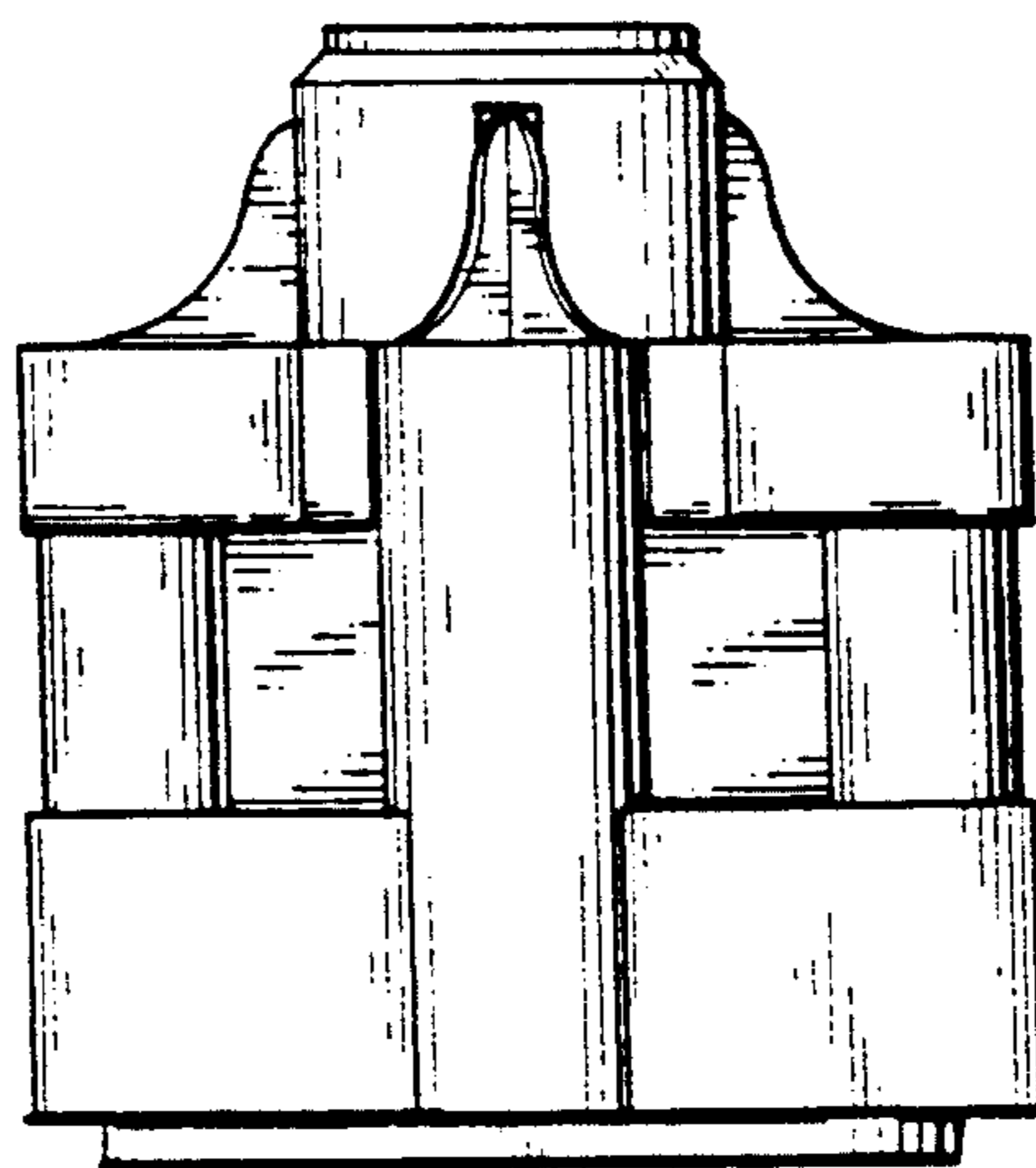


FIG. 3