



US00D340068S

United States Patent [19]

Chan

[11] Patent Number: **Des. 340,068**

[45] Date of Patent: **** Oct. 5, 1993**

[54] **COMBINED MEMO HOLDER AND VERTICAL FILE**

[75] Inventor: **Eric P. Chan, New York, N.Y.**

[73] Assignee: **American Trading & Production Corporation, Baltimore, Md.**

[*] Notice: The portion of the term of this patent subsequent to Jun. 22, 2007 has been disclaimed.

[**] Term: **14 Years**

[21] Appl. No.: **814,914**

[22] Filed: **Dec. 26, 1991**

[52] U.S. Cl. **D19/90; D19/86; D19/92; D19/95**

[58] Field of Search **D19/68, 75, 78, 86, D19/90, 91, 92, 95, 99, 100; 206/215, 555, 449, 557; 211/10, 11, 13, 50, 55, 126, 45**

[56] **References Cited**

U.S. PATENT DOCUMENTS

- D. 120,652 5/1940 Posnack D19/92 X
- D. 139,831 12/1944 Posnack D19/84 X
- D. 139,832 12/1944 Posnack D19/92 X

- D. 179,534 1/1957 Bullock D19/92
- D. 185,130 5/1959 Camilli D19/78
- D. 251,254 3/1979 Tiedemann D19/90
- D. 260,907 9/1981 Giulie et al. D19/92
- D. 290,141 6/1987 Rabig D19/90
- D. 308,077 5/1990 Gecchelin D19/90
- D. 330,047 10/1992 Evenson D19/75 X

Primary Examiner—Nelson C. Holtje
Assistant Examiner—Martha Thompson
Attorney, Agent, or Firm—Cohn, Powell & Hind

[57] **CLAIM**

The ornamental design for a combined memo holder and vertical file, as shown and described.

DESCRIPTION

FIG. 1 is an upper, front perspective view of a combined memo holder and vertical file showing my new design;

FIG. 2 is a lower, rear perspective view thereof;

FIG. 3 is a top plan view thereof;

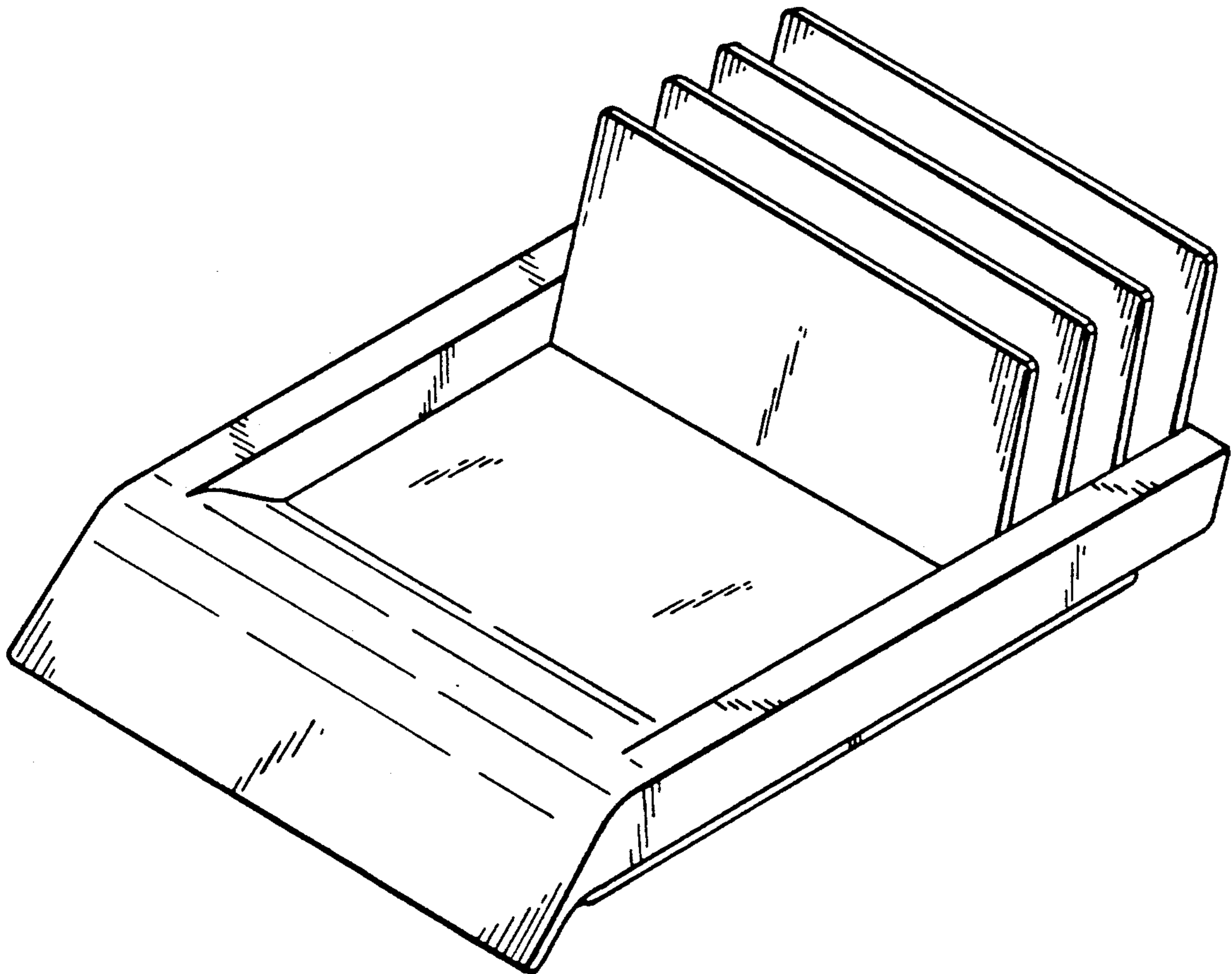
FIG. 4 is a right side elevational view thereof;

FIG. 5 is a left side elevational view thereof;

FIG. 6 is a front elevational view thereof;

FIG. 7 is a rear elevational view thereof; and,

FIG. 8 is a bottom plan view thereof.



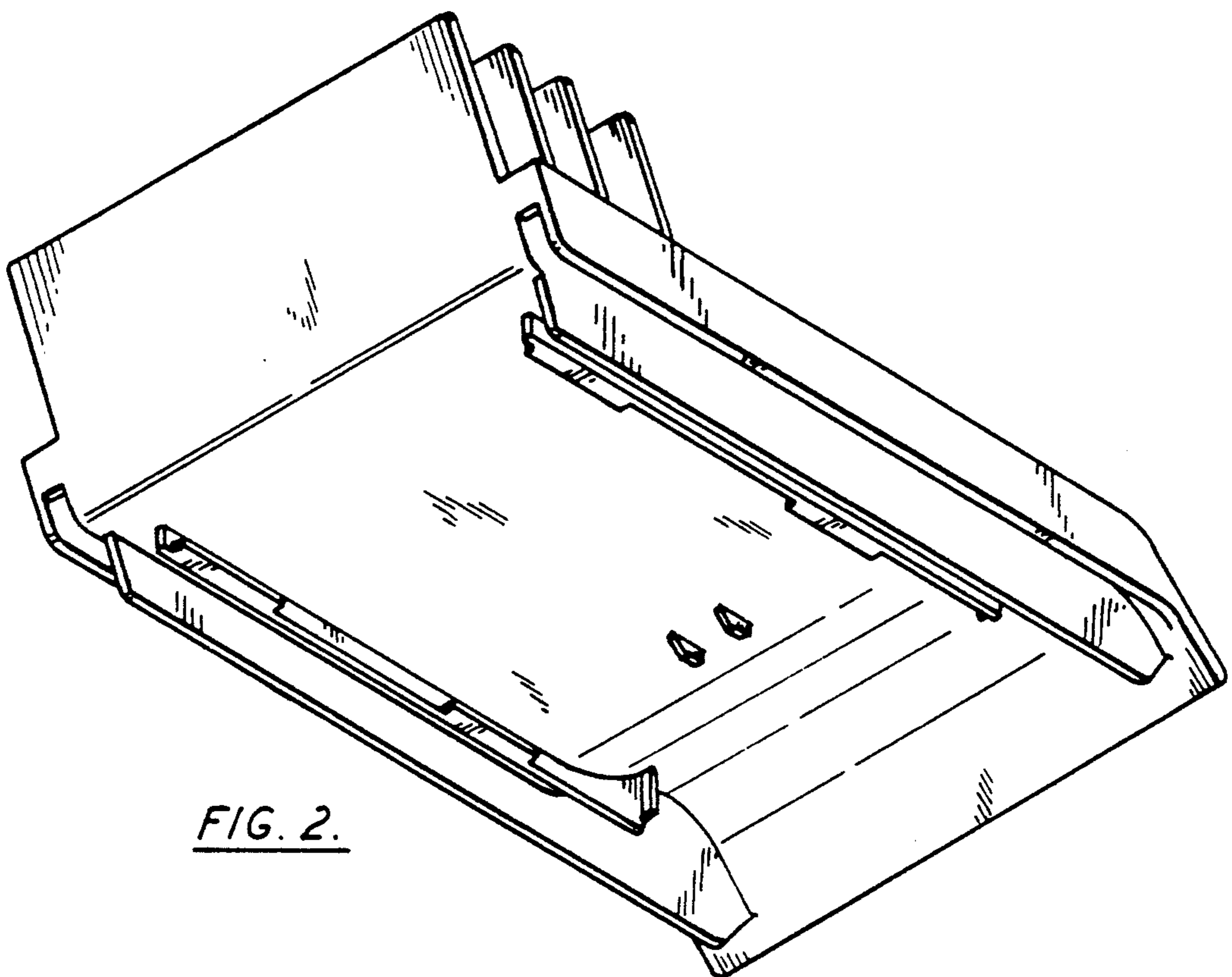
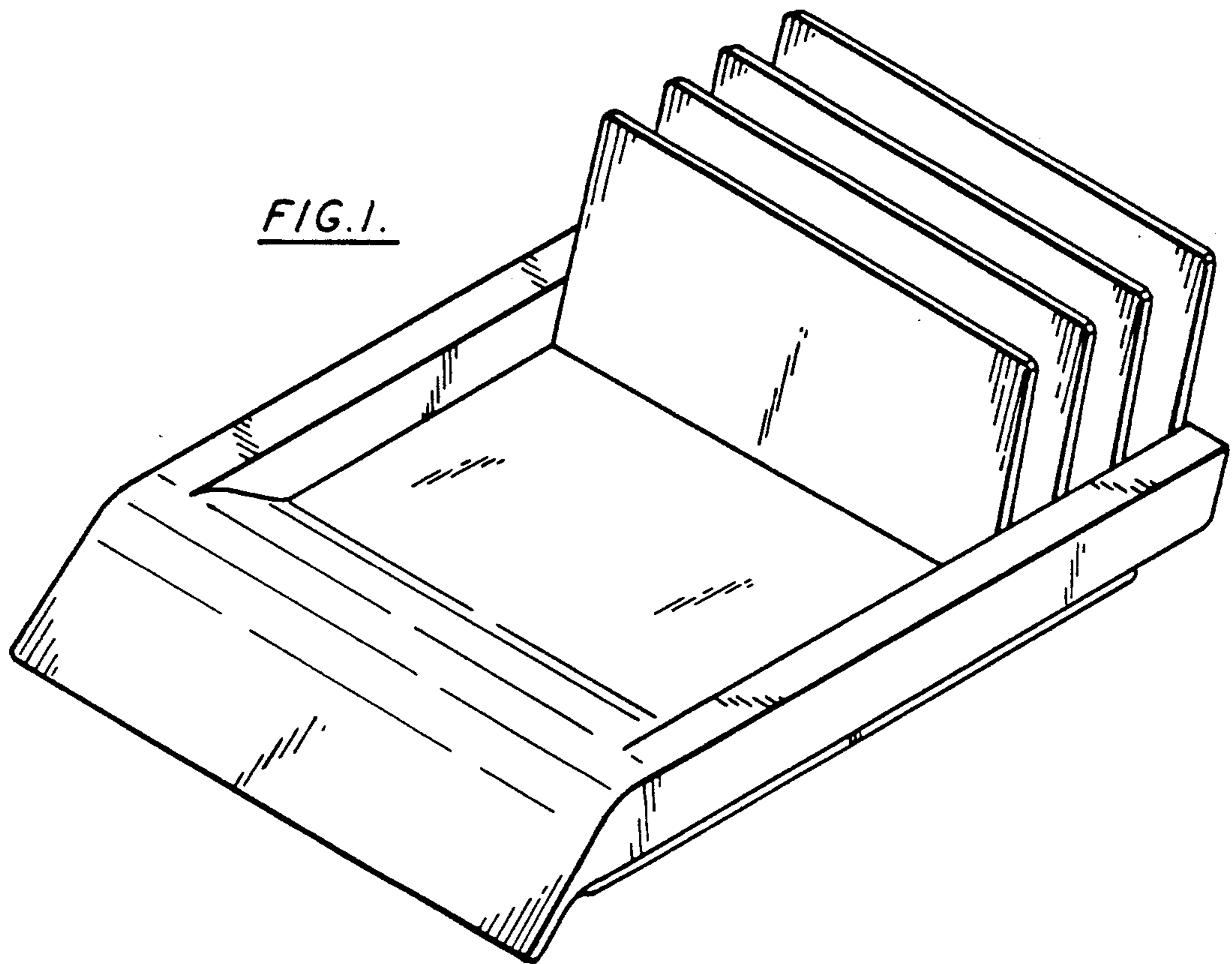


FIG. 3.

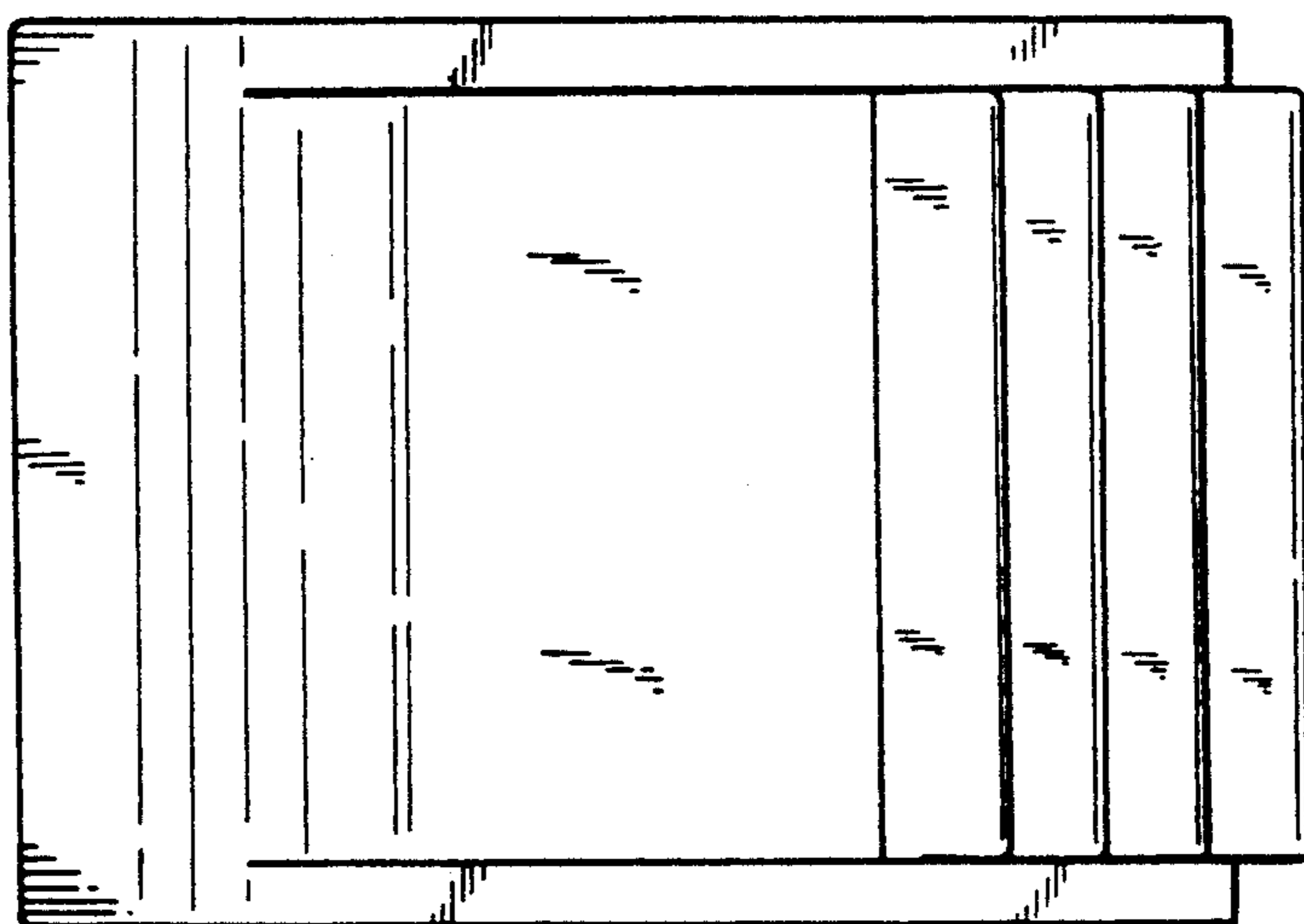


FIG. 5.

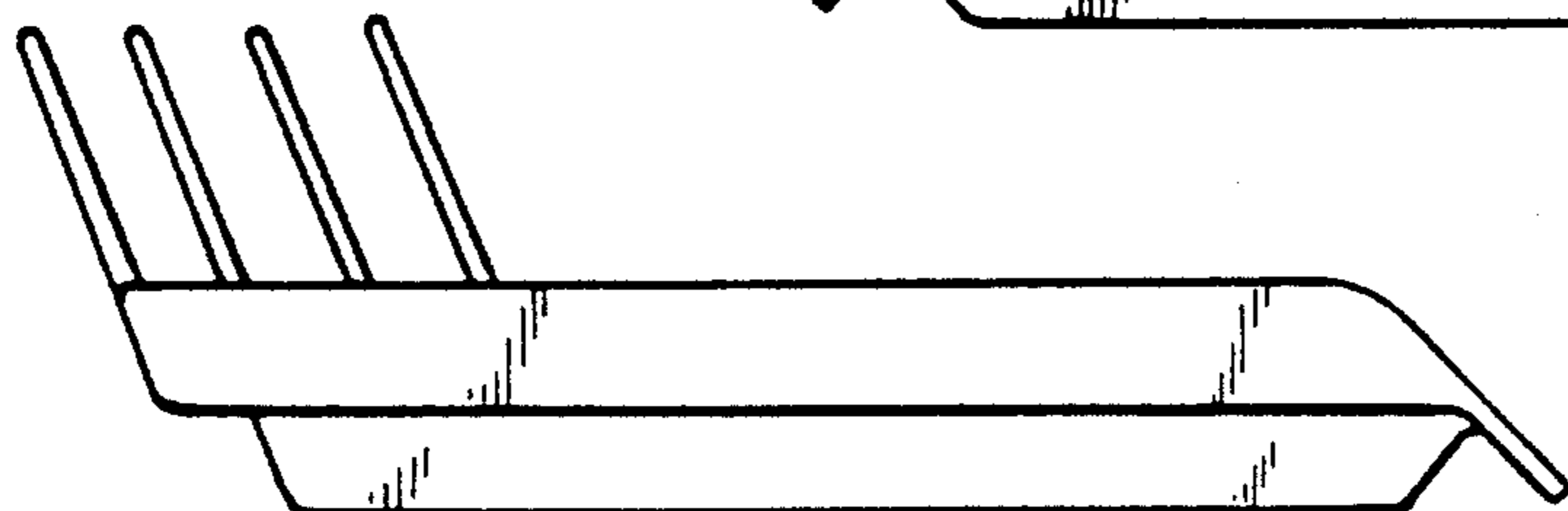


FIG. 4.

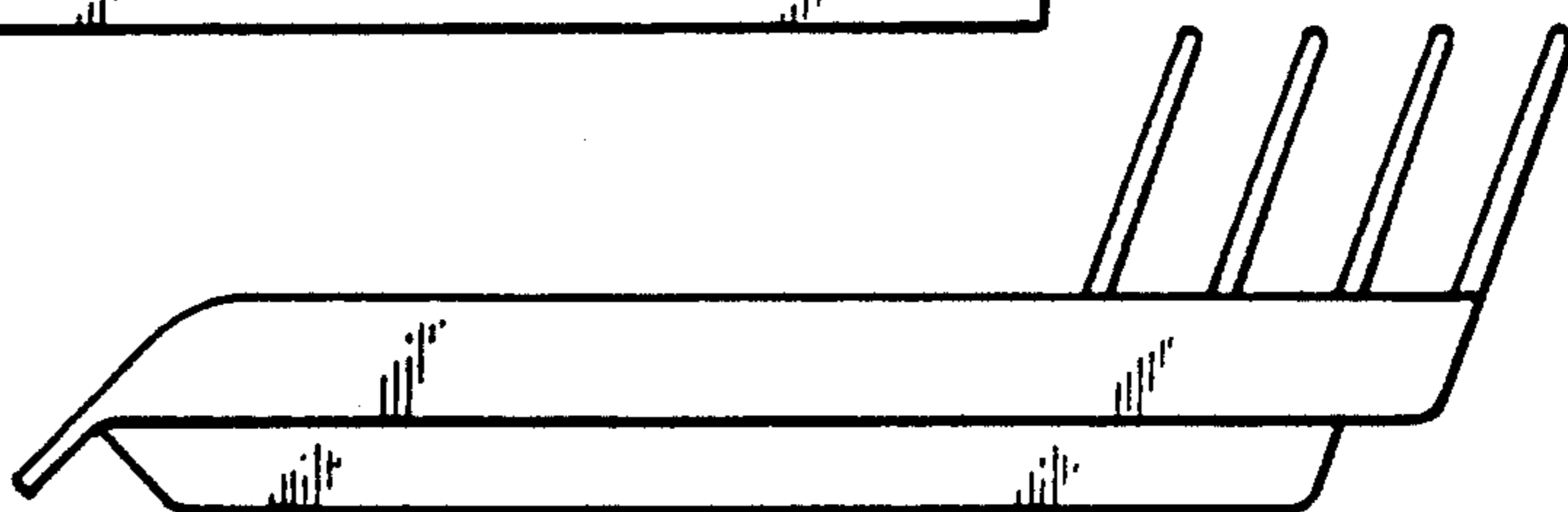


FIG. 6.



FIG. 7.

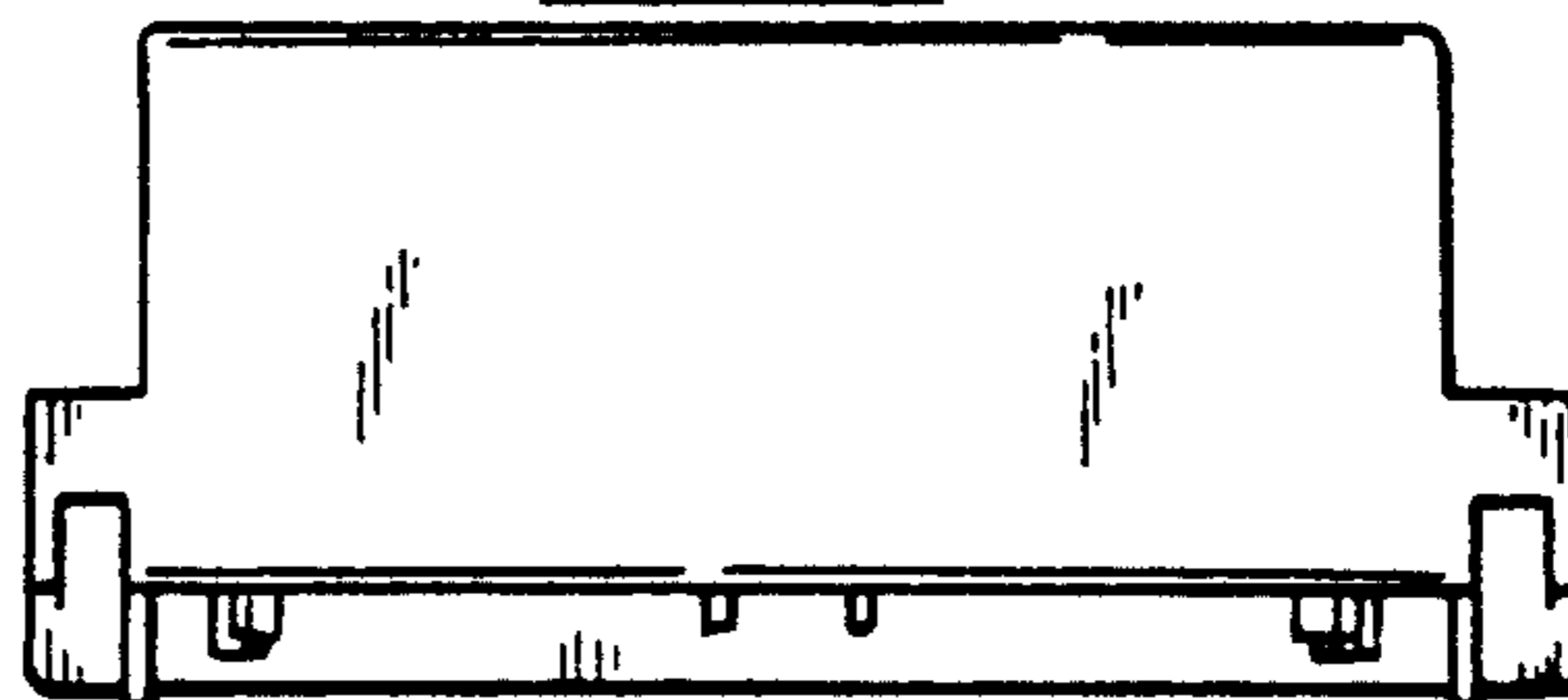


FIG. 8.

