



US00D340066S

United States Patent [19]

[11] Patent Number: **Des. 340,066**

Iwanaga

[45] Date of Patent: **** Oct. 5, 1993**

[54] **INK JET PLOTTER**

[75] Inventor: **Tetsuya Iwanaga, Tokyo, Japan**

[73] Assignee: **Mutoh Industries Ltd., Tokyo, Japan**

[**] Term: **14 Years**

[21] Appl. No.: **733,407**

[22] Filed: **Jul. 22, 1991**

[30] **Foreign Application Priority Data**

Jan. 22, 1991 [JP] Japan 3-1113

[52] U.S. Cl. **D18/53; D18/50**

[58] Field of Search **D18/56, 50, 53; 346/136, 145; 395/103**

[56] **References Cited**

U.S. PATENT DOCUMENTS

D. 319,071	8/1991	Tamasaku et al.	D18/53
4,039,127	8/1977	Huffhines et al.	346/136
4,172,565	10/1979	Zaffarano	346/136
4,369,453	1/1983	Brandt	346/136

4,683,480	7/1987	Sakamoto et al.	346/136
4,734,716	3/1988	Silverberg et al.	346/136
4,888,710	12/1989	Venthem et al.	395/103
4,996,651	2/1991	Wells	395/103
5,150,131	9/1992	La Jaoudour	346/136
5,163,121	11/1992	Hosler	395/103

Primary Examiner—A. Hugo Word
Assistant Examiner—Cathy Anne MacCormac
Attorney, Agent, or Firm—Sughrue, Mion, Zinn, Macpeak & Seas

[57] **CLAIM**

The ornamental design for an ink jet plotter, as shown.

DESCRIPTION

FIG. 1 is a perspective view of the ink jet plotter; FIG. 2 is a front view of the ink jet plotter; FIG. 3 is a plan of the ink jet plotter; FIG. 4 is a right view of the ink jet plotter; FIG. 5 is a left view of the ink jet plotter; FIG. 6 is a back view of the ink jet plotter; and, FIG. 7 is a bottom view of the ink jet plotter.

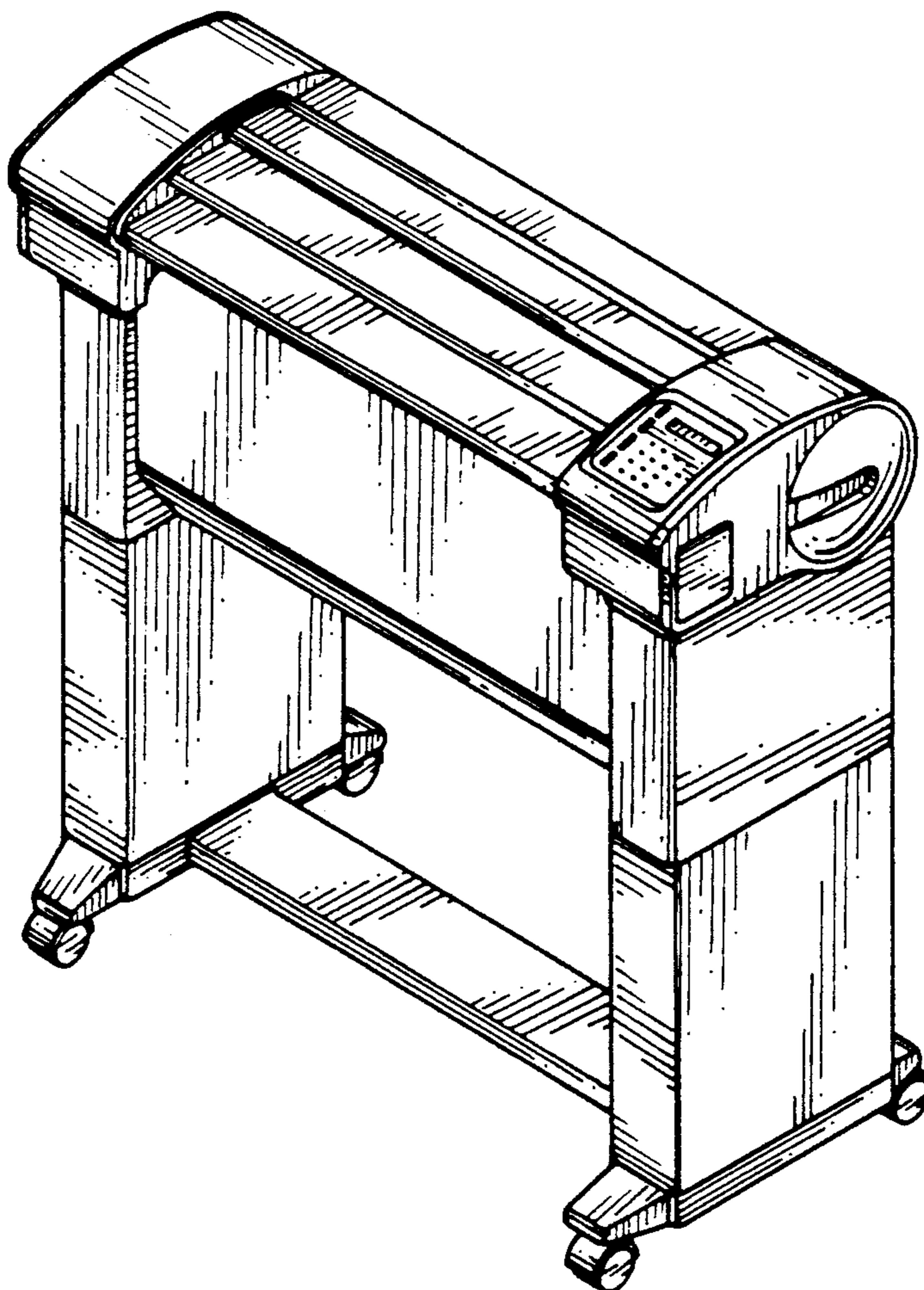


FIG. 1

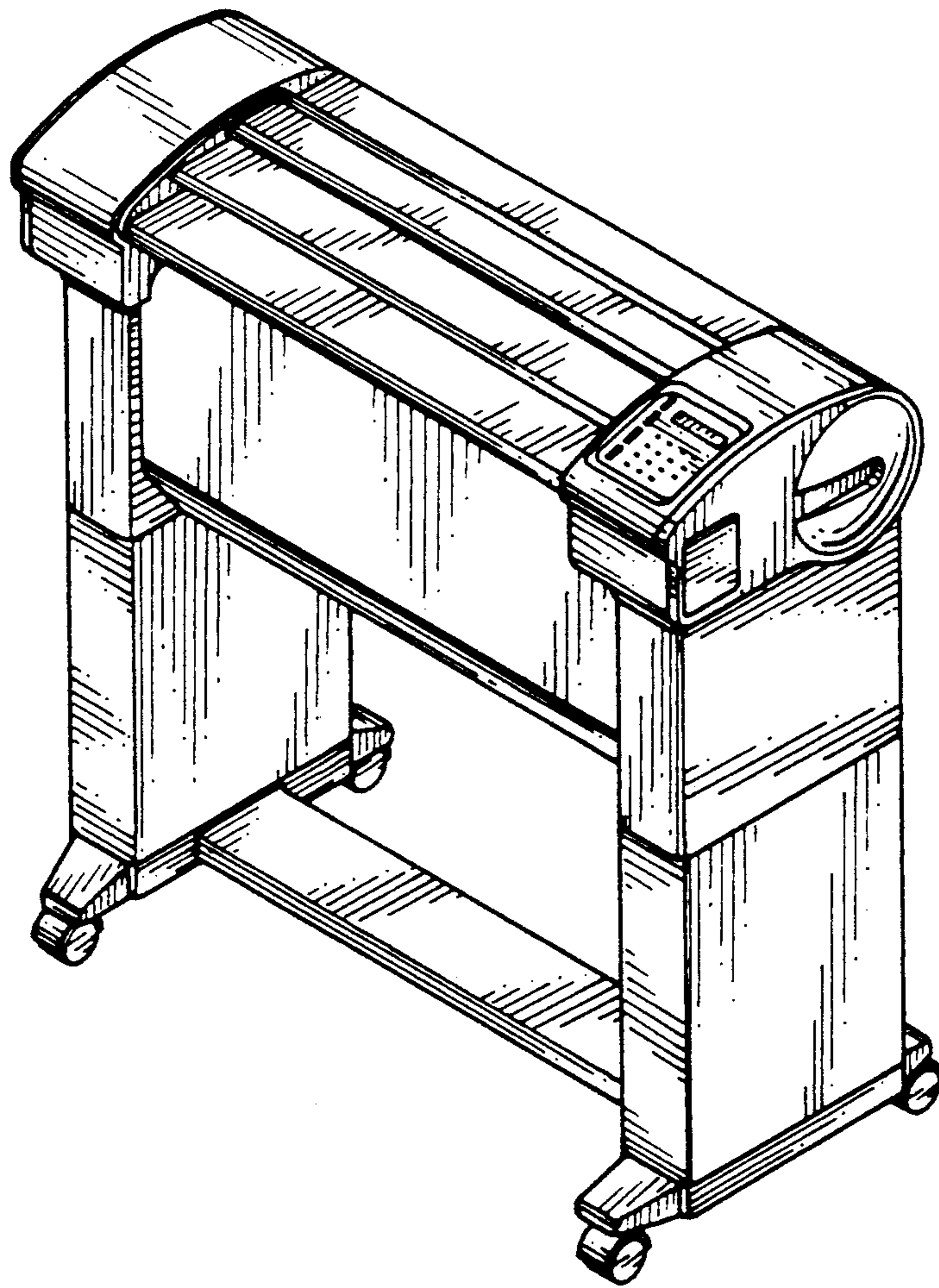


FIG. 2

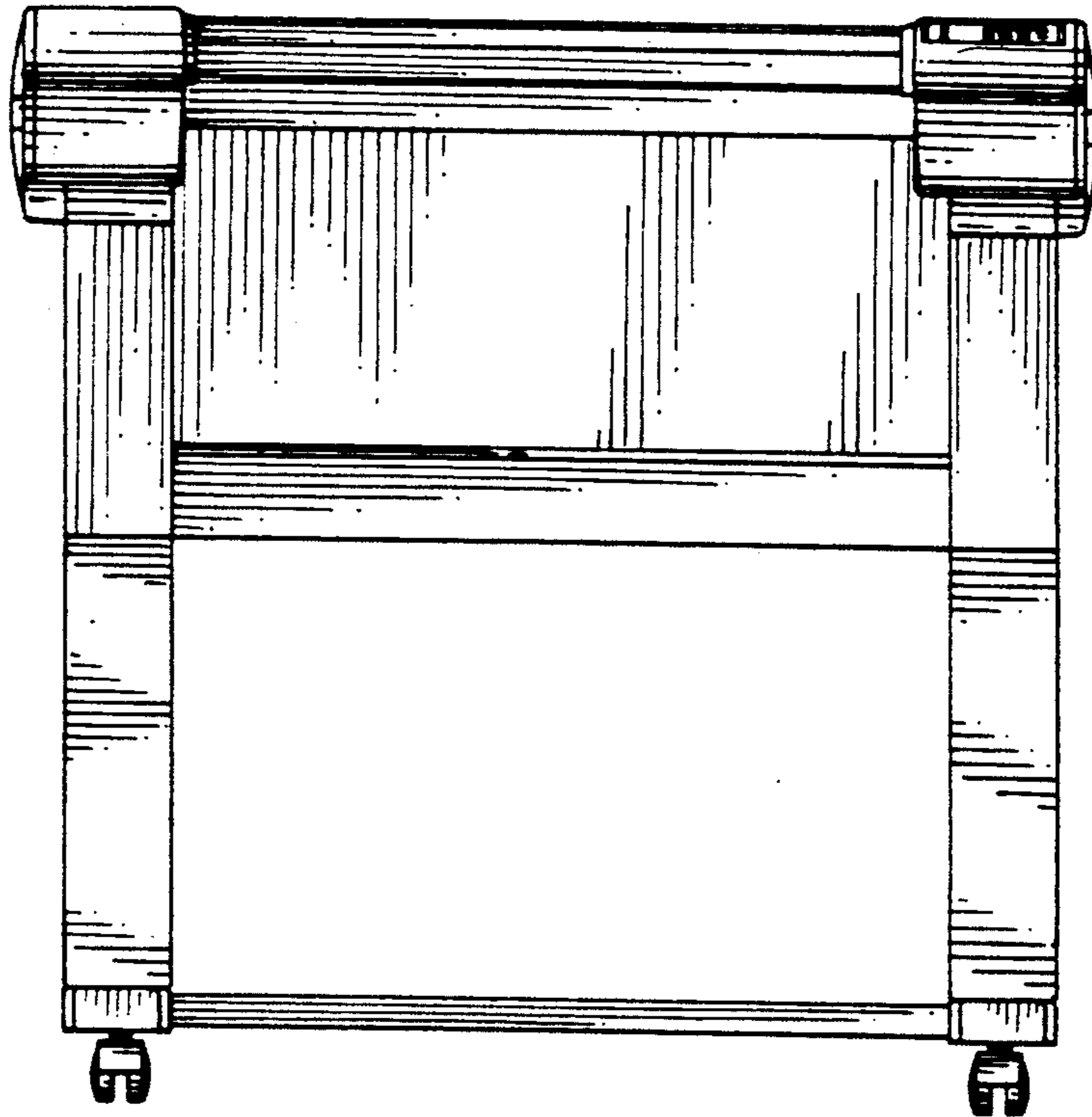


FIG. 3

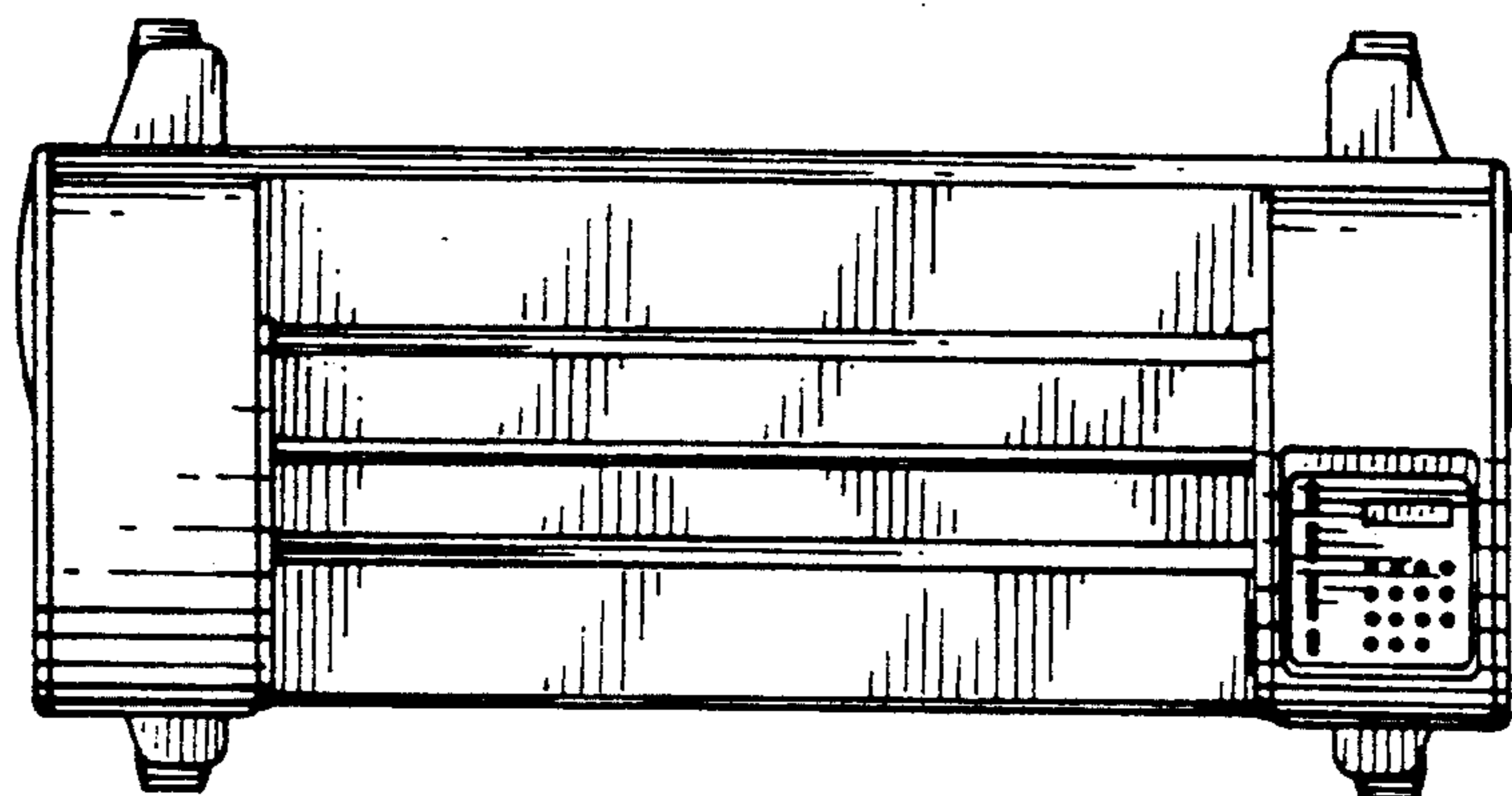


FIG. 4

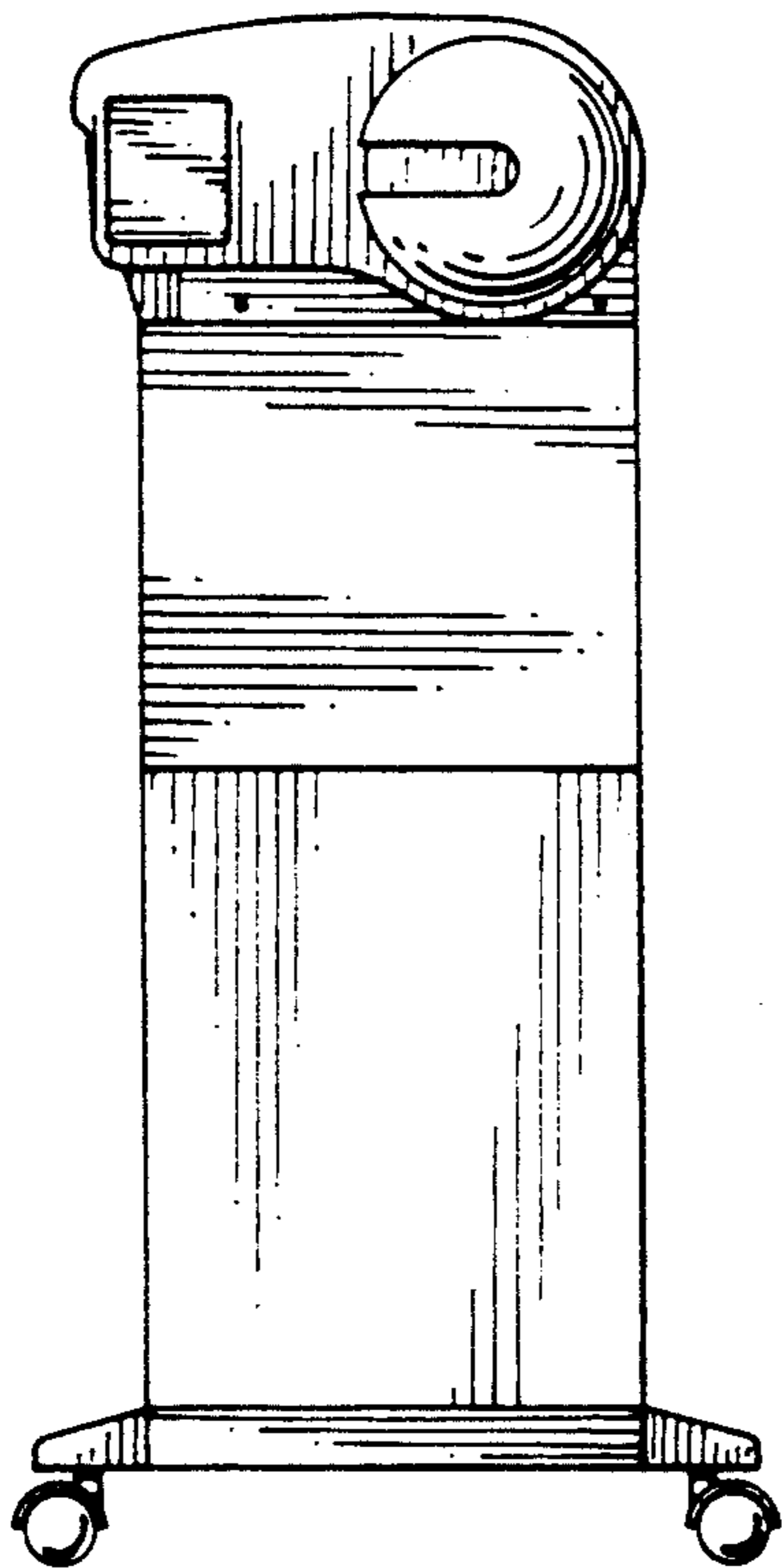


FIG. 5

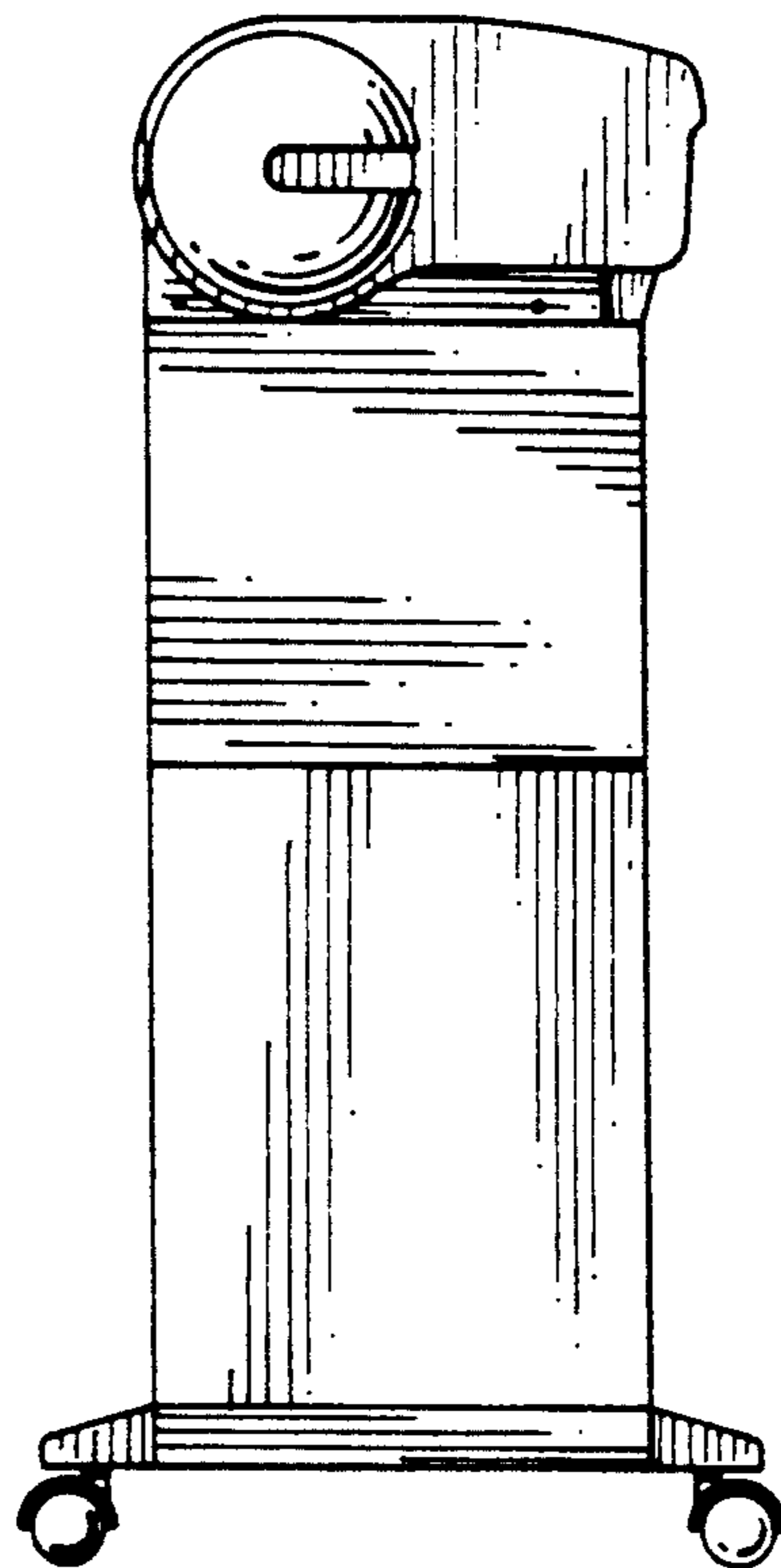


FIG. 6

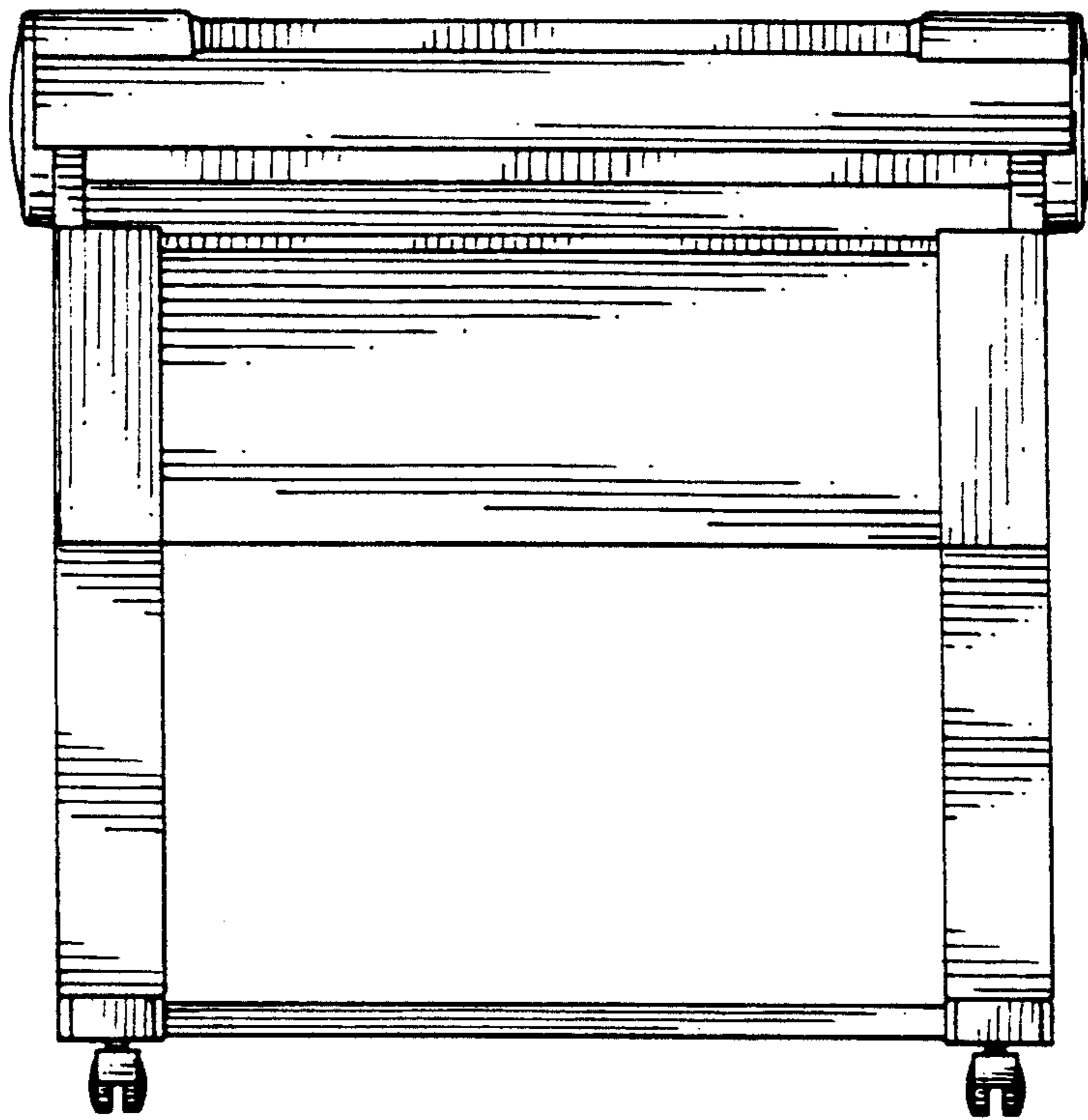


FIG. 7

