



US00D340064S

# United States Patent [19]

[11] Patent Number: **Des. 340,064**

Makiura et al.

[45] Date of Patent: **\*\* Oct. 5, 1993**

[54] **LASER BEAM PRINTER**

4,663,637 5/1987 Saitou ..... 400/120

[75] Inventors: **Yoshinori Makiura, Kawachinagano; Koji Migita, Sakai, both of Japan**

**OTHER PUBLICATIONS**

[73] Assignee: **Mita Industrial Co., Ltd., Osaka, Japan**

Interface Systems, Inc. brochure; 1985; p. 1; ISI laser 8 printer.

[\*\*] Term: **14 Years**

Ziyad Inc. brochure; p. 1; Ziyad Z-200 duat tray paper processor.

[21] Appl. No.: **793,679**

*Primary Examiner*—A. Hugo Word  
*Assistant Examiner*—Cathy Anne MacCormac  
*Attorney, Agent, or Firm*—Beveridge, DeGrandi, Weilacher & Young

[22] Filed: **Nov. 18, 1991**

[30] **Foreign Application Priority Data**

[57] **CLAIM**

May 28, 1991 [JP] Japan ..... 3-15569

The ornamental design of a laser beam printer, as shown.

[52] U.S. Cl. .... **D18/50; D18/55**

[58] Field of Search ..... **D18/50-51, D18/53-55; D14/111, 100, 102; 400/691-694, 613.1-613.4, 613, 120**

**DESCRIPTION**

[56] **References Cited**

**U.S. PATENT DOCUMENTS**

- D. 317,784 6/1991 Kakiuchi et al. .... D18/55
- D. 323,850 2/1992 Matsuo et al. .... D18/54
- D. 324,540 3/1992 Tanizawa et al. .... D18/54
- 4,661,826 4/1987 Saitou ..... 400/120

FIG. 1 is a front elevational view of a laser beam printer showing our new design;  
FIG. 2 is a top plan view thereof;  
FIG. 3 is a right side elevational view thereof;  
FIG. 4 is a left side elevational view thereof;  
FIG. 5 is a rear elevational view thereof;  
FIG. 6 is a bottom plan view thereof; and,  
FIG. 7 is a perspective view thereof.

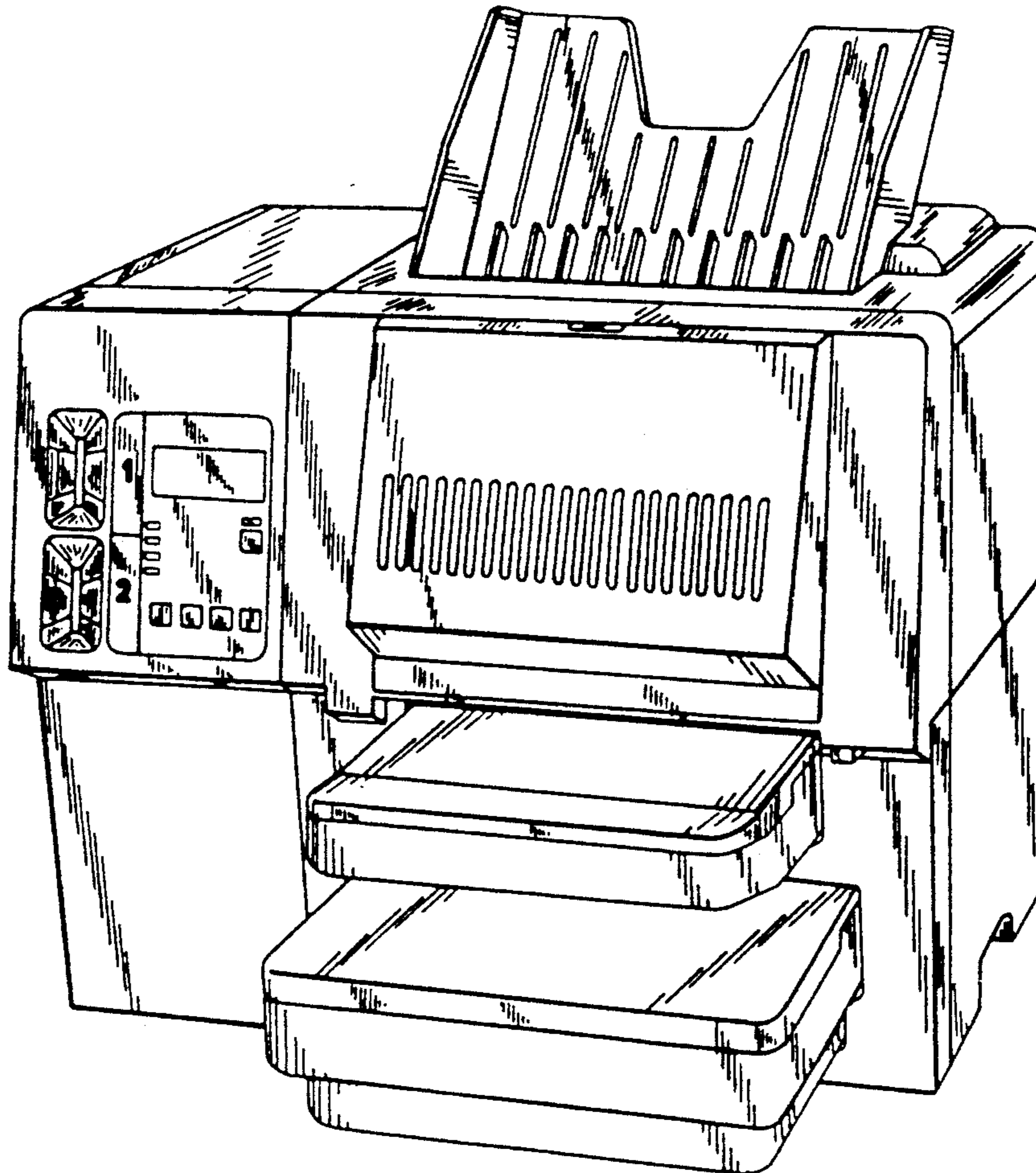


Fig. 1

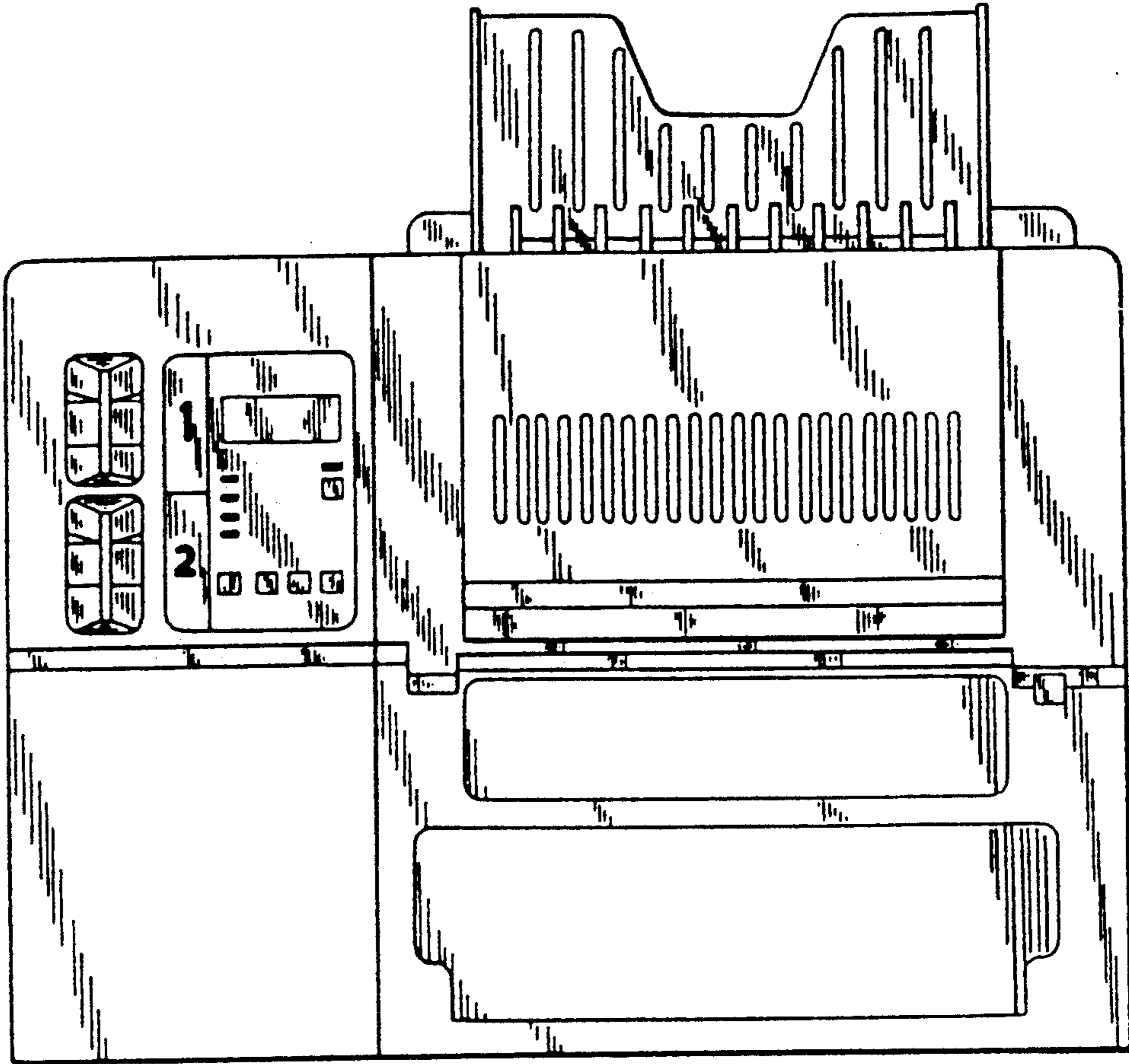


Fig. 2

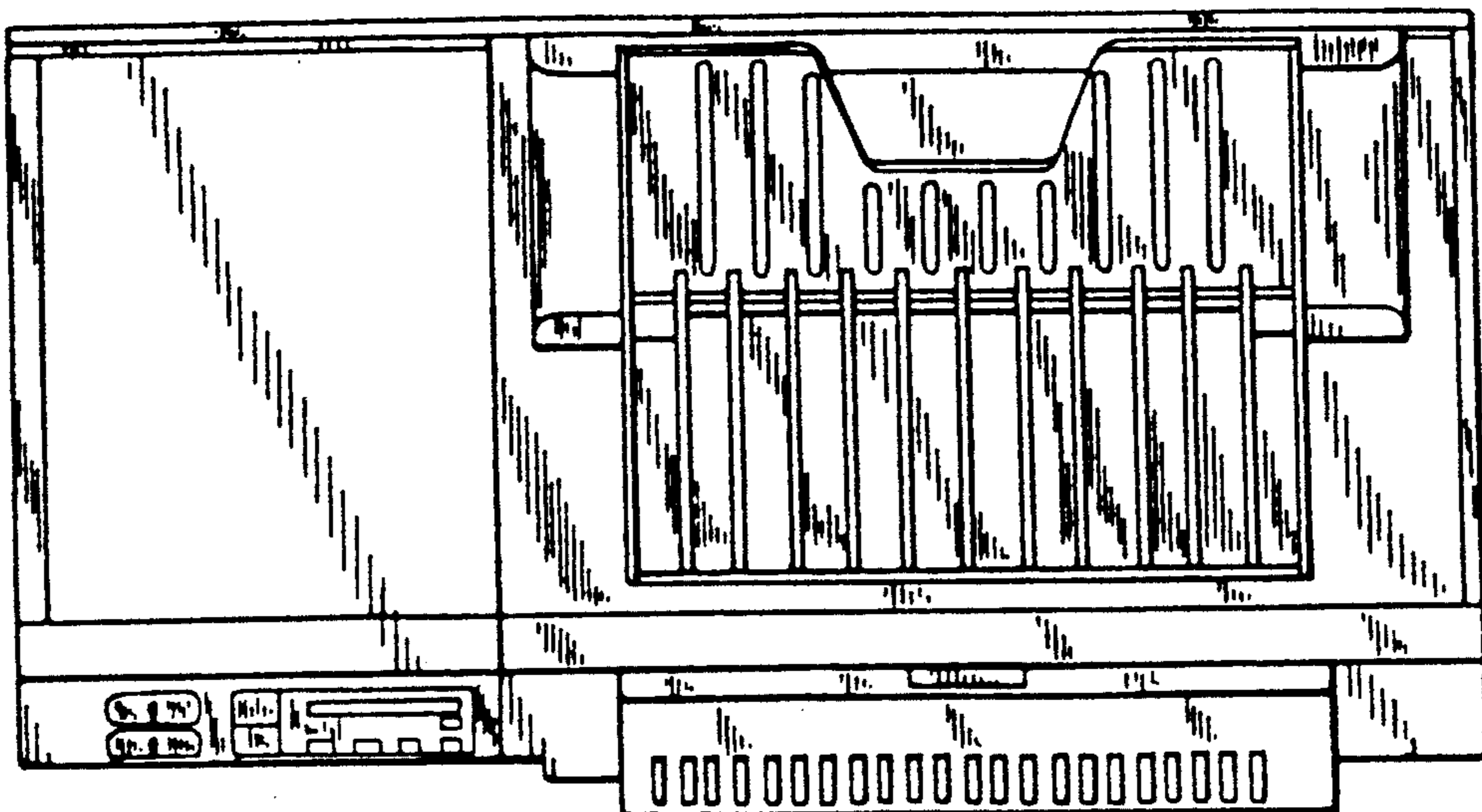


Fig. 3

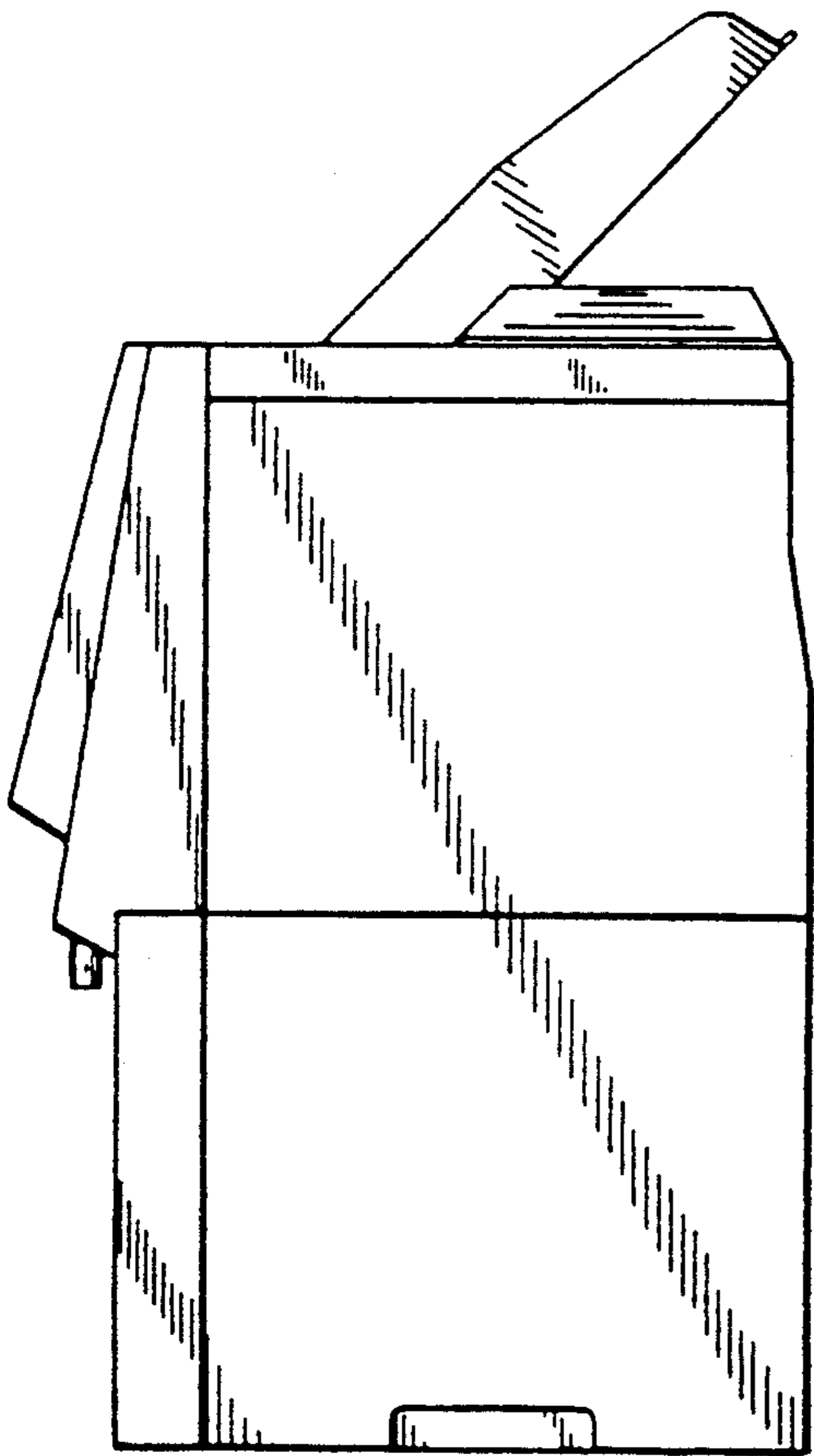


Fig. 4

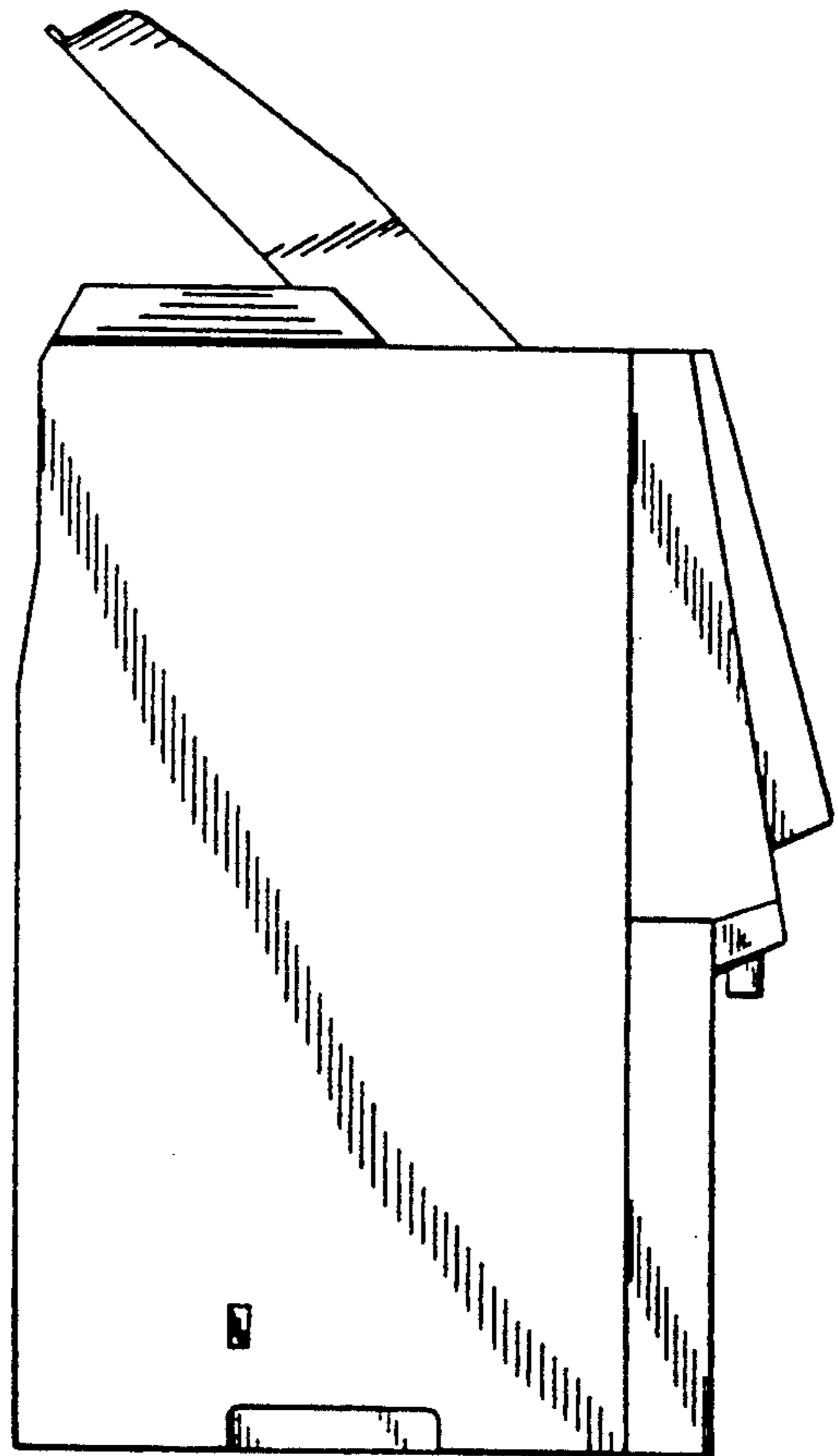


Fig. 5

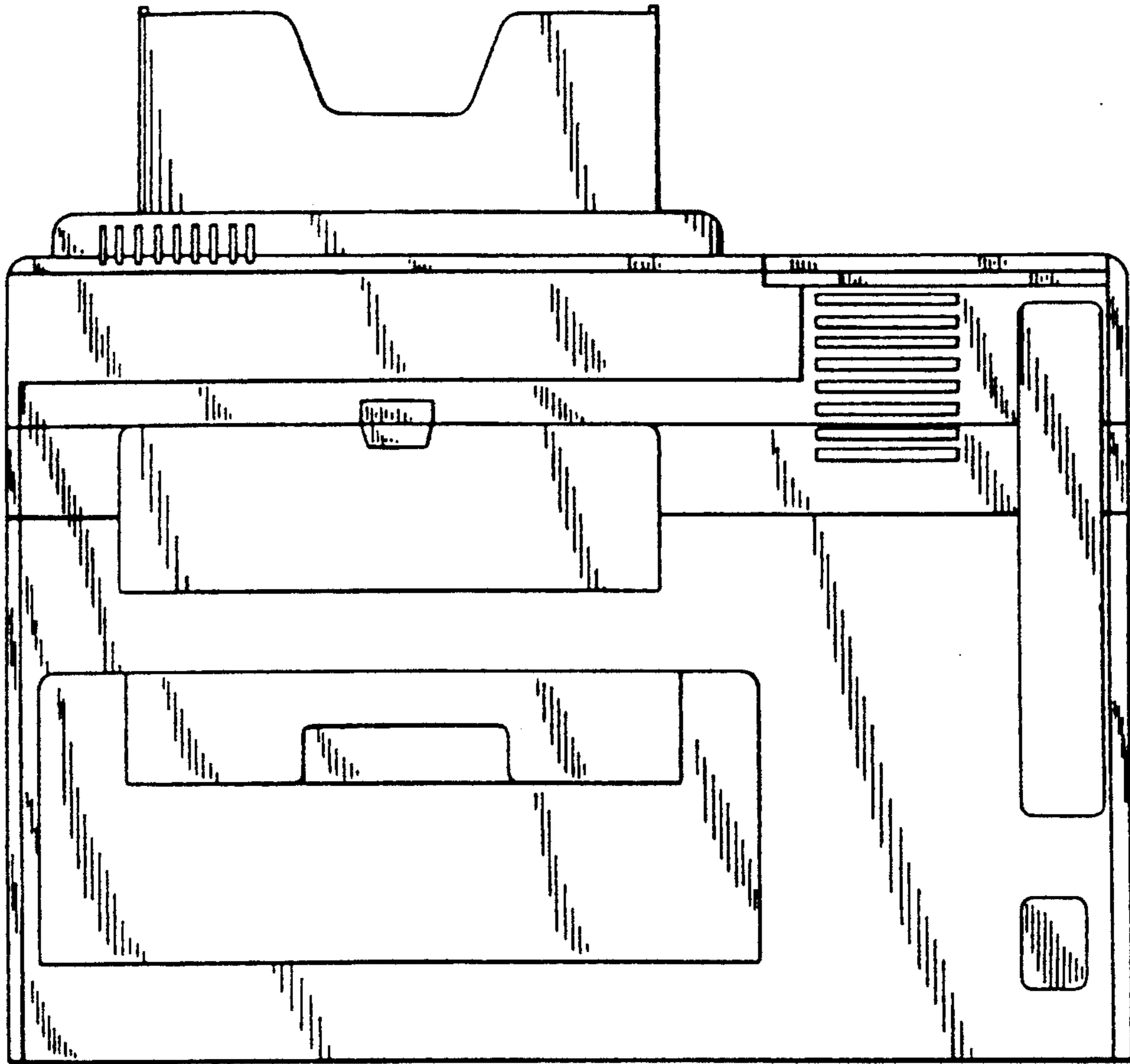


Fig. 6

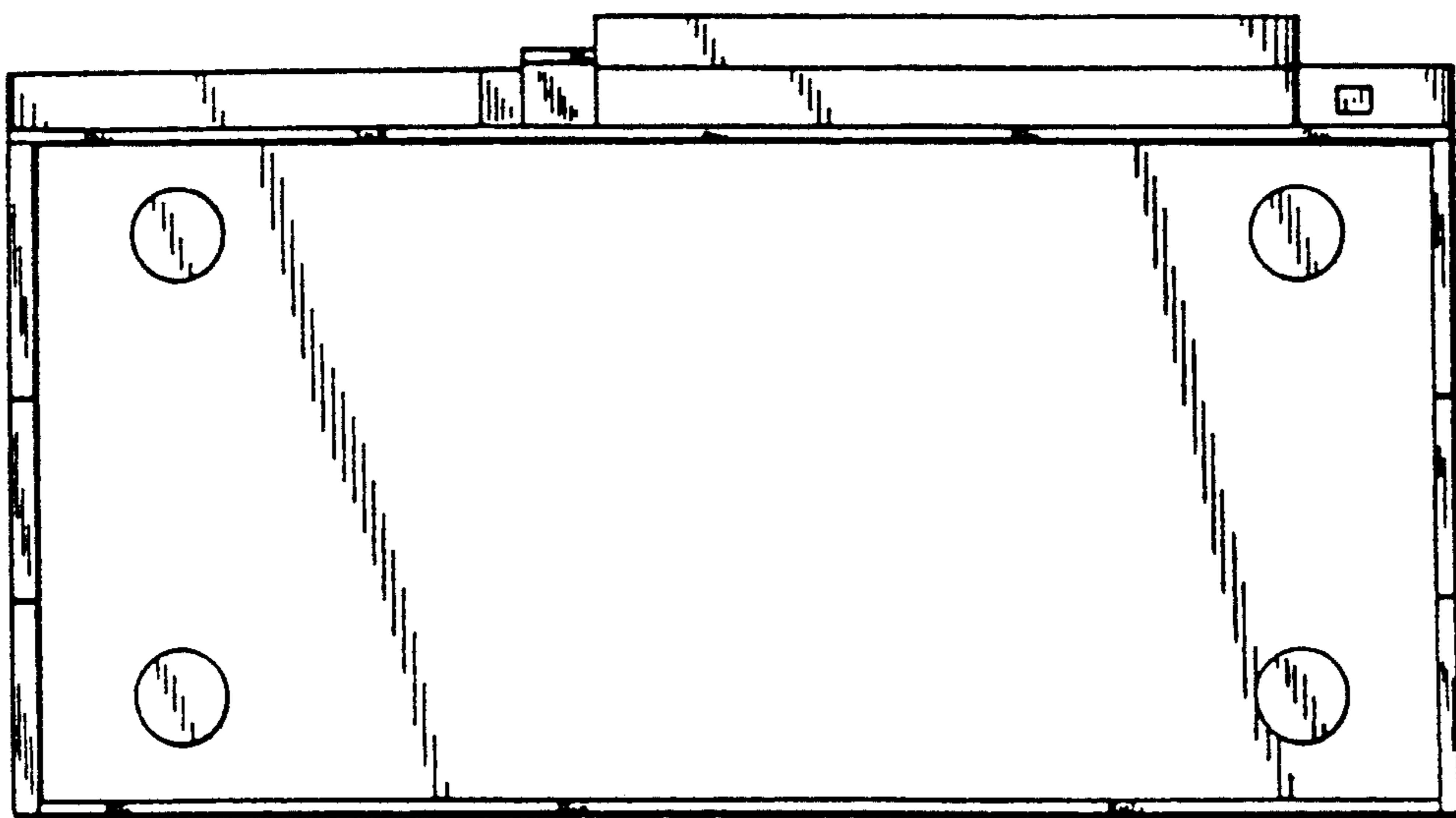


Fig. 7

