



US00D340060S

# United States Patent [19]

[11] Patent Number: **Des. 340,060**

**Emerich**

[45] Date of Patent: **\*\* Oct. 5, 1993**

[54] POWER PLANER/JOINER TABLE

4,592,400 6/1986 Graham ..... 144/253 G X

[76] Inventor: **Robert S. Emerich, Kent Hill Rd.,  
P.O. Box 55, Dorset, Vt. 05251**

### FOREIGN PATENT DOCUMENTS

[\*\*] Term: **14 Years**

350552 3/1922 Fed. Rep. of Germany .

290380 4/1958 Switzerland .

158345 10/1985 World Int. Prop. O. .... 30/290

[21] Appl. No.: **718,825**

*Primary Examiner*—Alan P. Douglas

*Assistant Examiner*—Antoine D. Davis

*Attorney, Agent, or Firm*—Terry M. Gernstein

[22] Filed: **Jun. 21, 1991**

[52] U.S. Cl. .... **D15/141; D10/64;  
D10/71; D8/70**

### [57] CLAIM

[58] Field of Search ..... **D10/64, 71; D15/130,  
D15/138, 141; D8/70, 71, 81; 30/167, 475,  
289-291, 296.1, 298, 298.4; 144/144 R, 218,  
229, 241, 253 R, 253 J, 1 F**

The ornamental design for a power planer/joiner table,  
as shown and described.

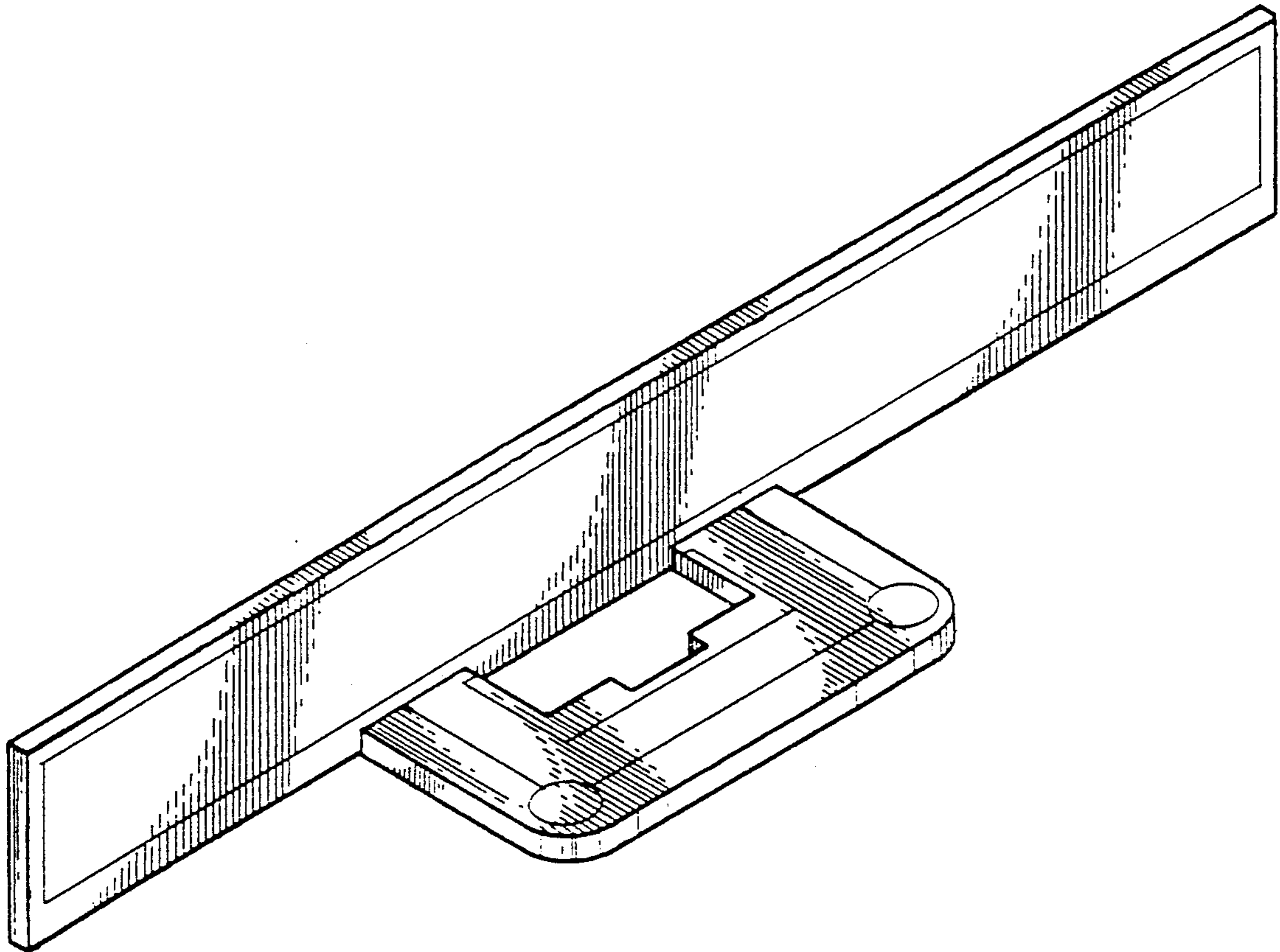
### DESCRIPTION

### [56] References Cited

#### U.S. PATENT DOCUMENTS

- D. 308,326 6/1990 Makowsky ..... D8/70
- D. 317,575 6/1991 Ramsey ..... D10/71
- 2,894,549 7/1959 Garland .
- 2,904,086 9/1959 Cowley .
- 3,443,613 5/1969 Roods .

FIG. 1 is a perspective view of the power planer/joiner table embodying the design of the present invention; FIG. 2 is a front end elevational view thereof; FIG. 3 is a rear end elevational view thereof; FIG. 4 is a side elevational view thereof; FIG. 5 is a side elevational view thereof; FIG. 6 is a top plan view thereof; and, FIG. 7 is a bottom view thereof.



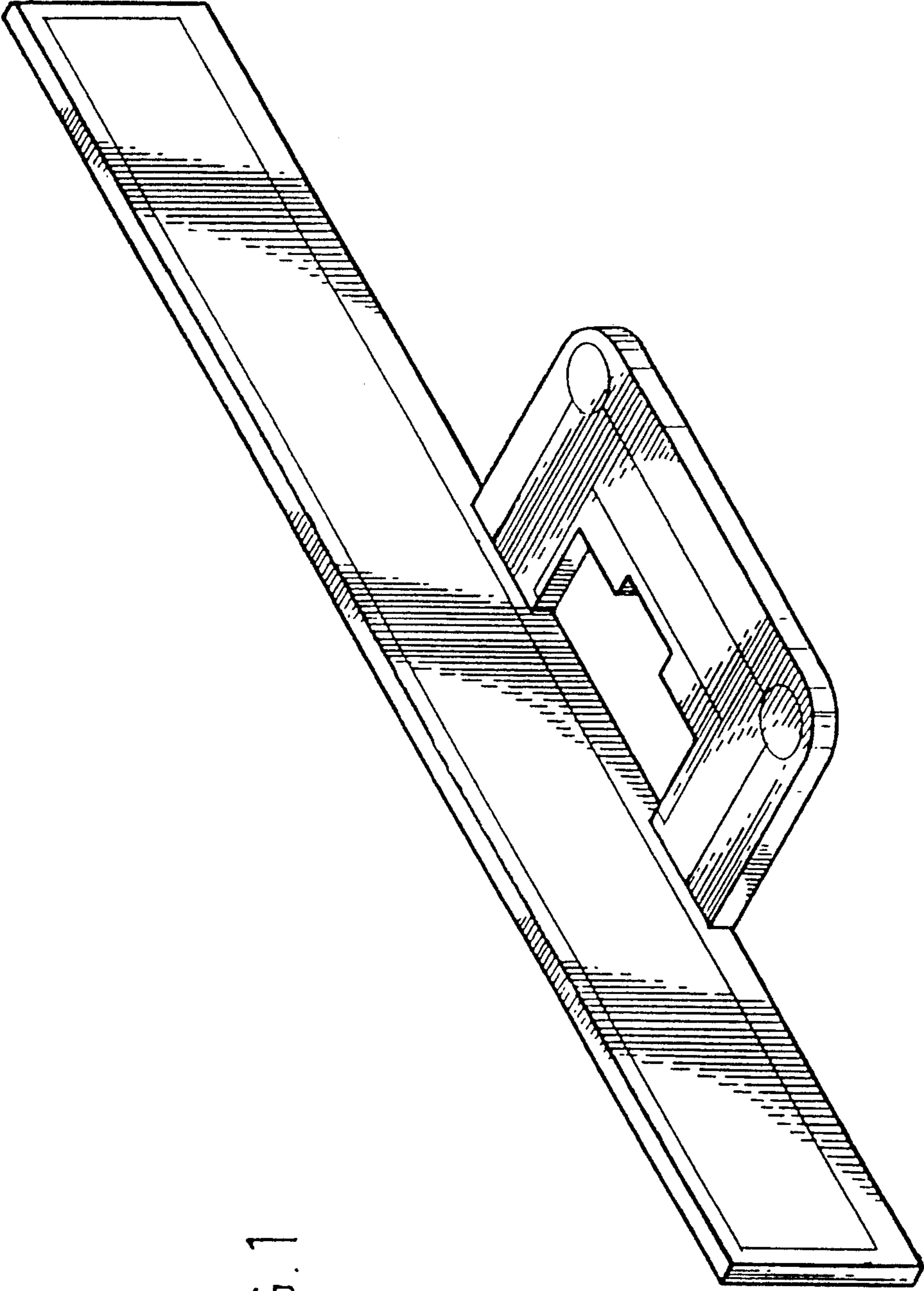


FIG. 1

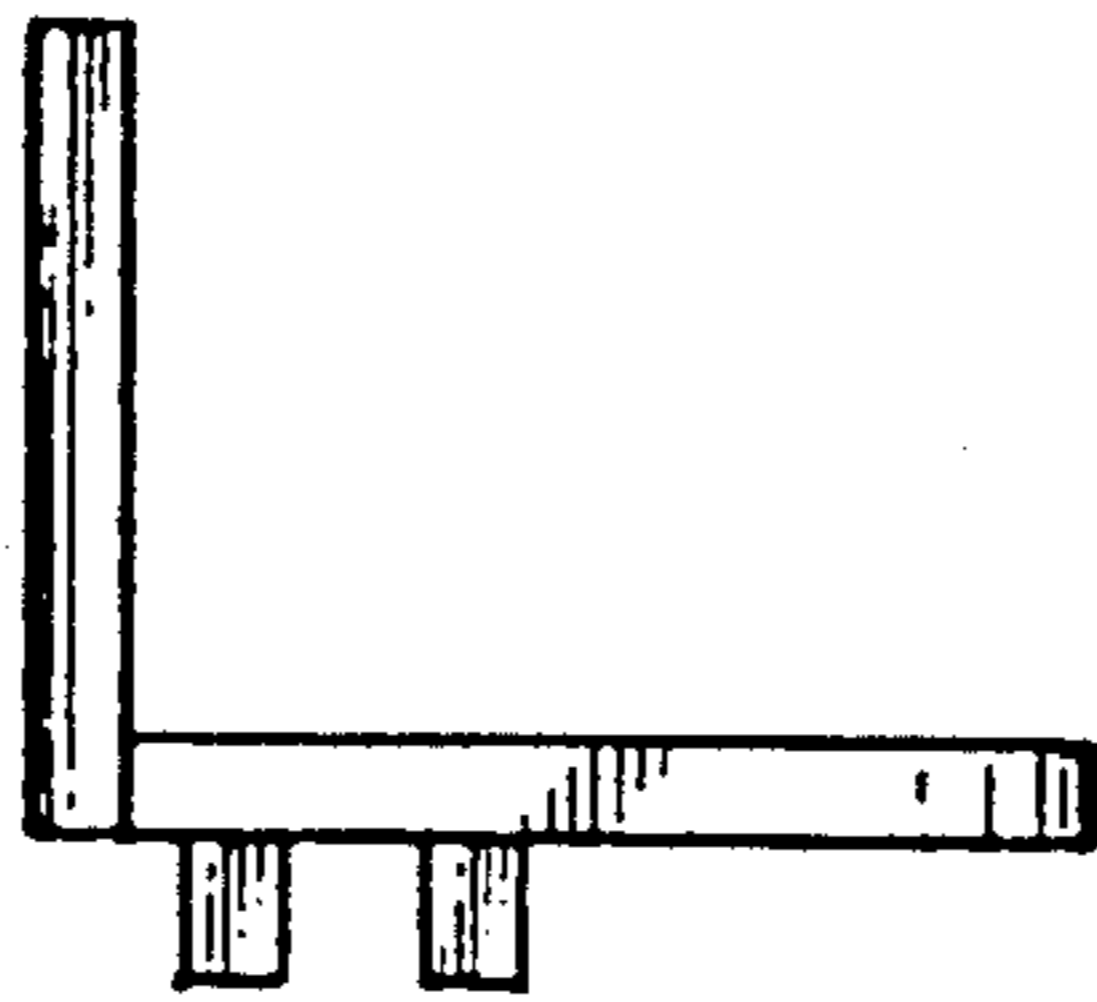


FIG. 2

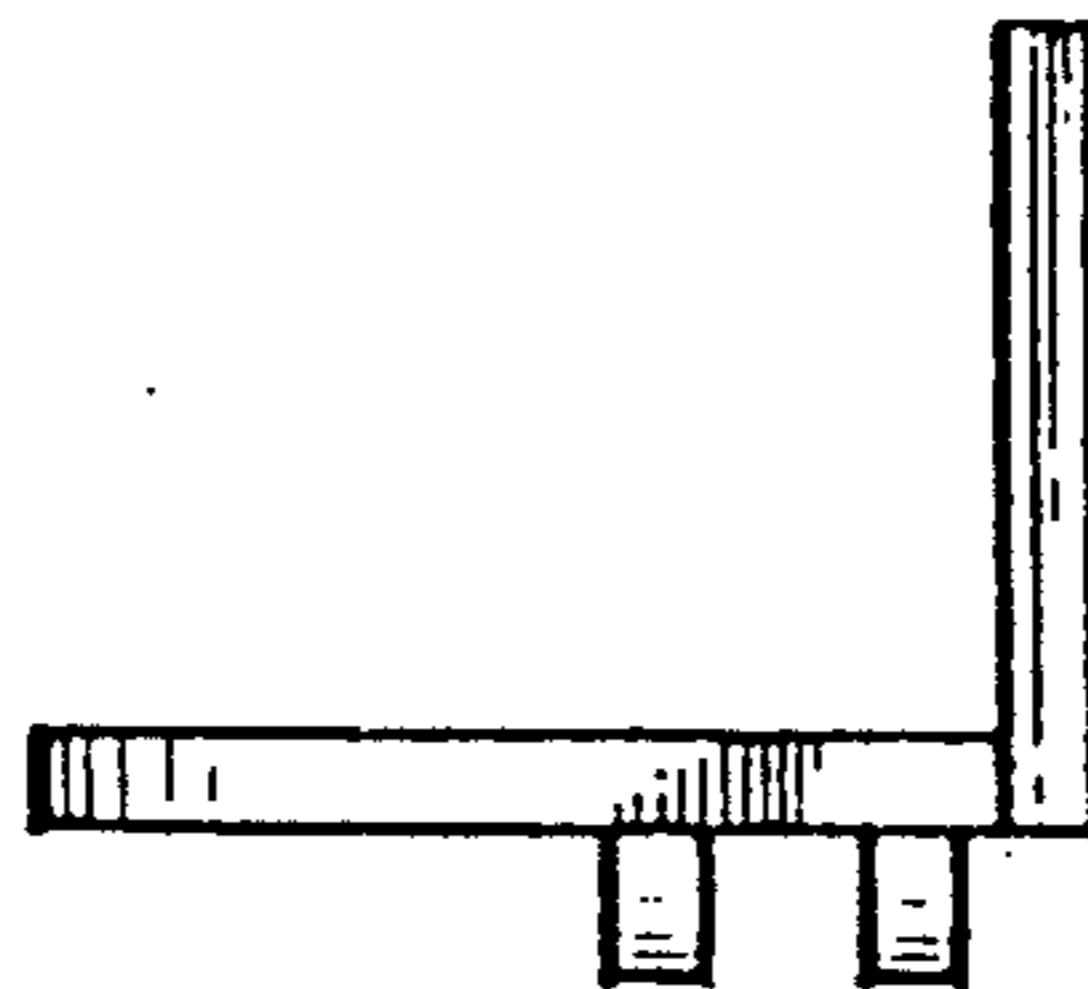


FIG. 3

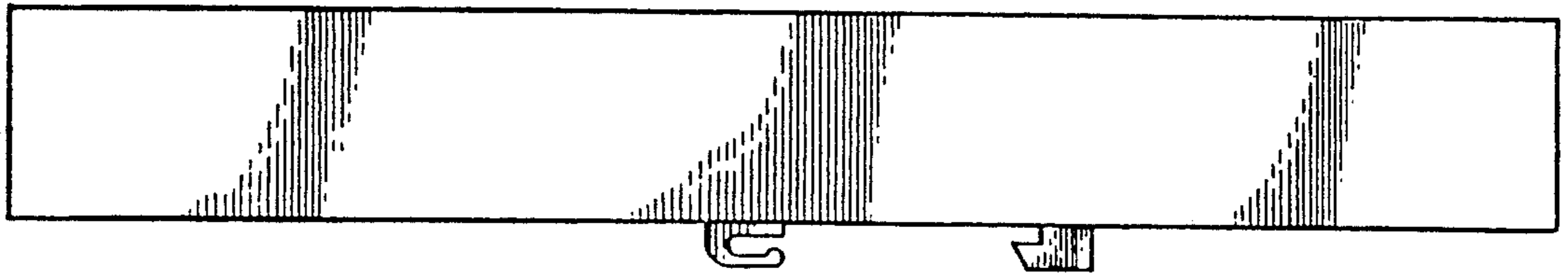


FIG. 4

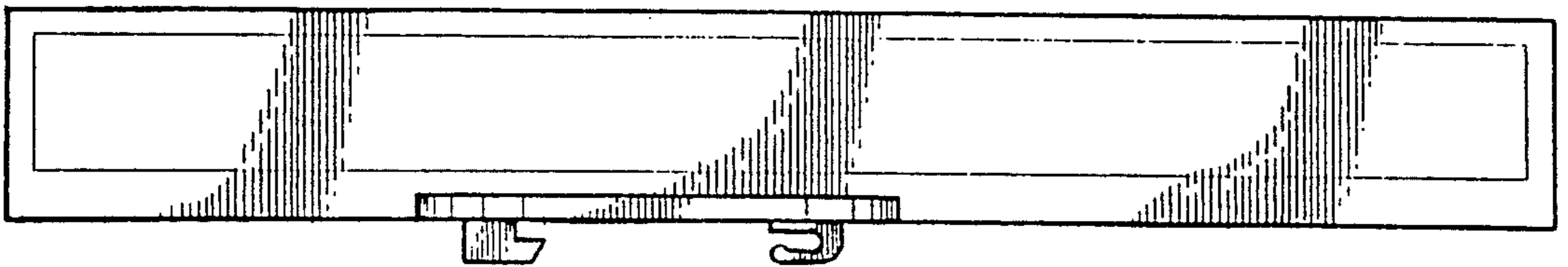


FIG. 5

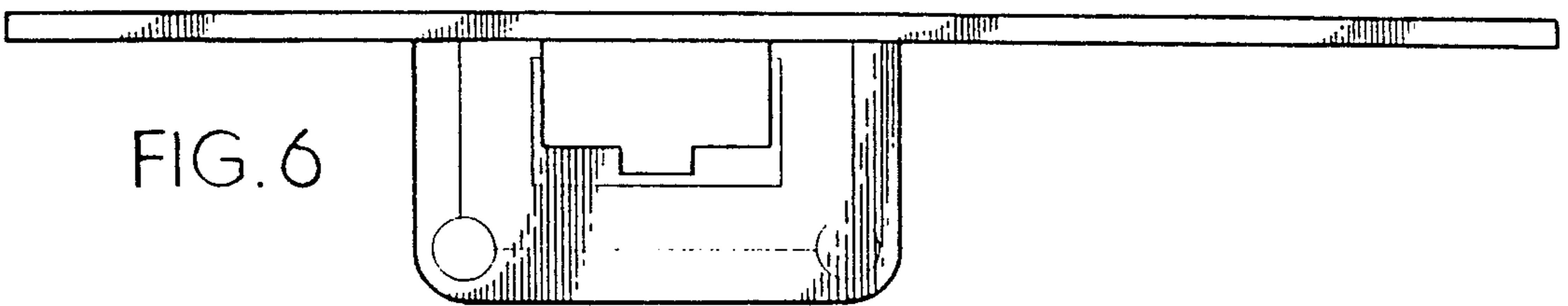


FIG. 6

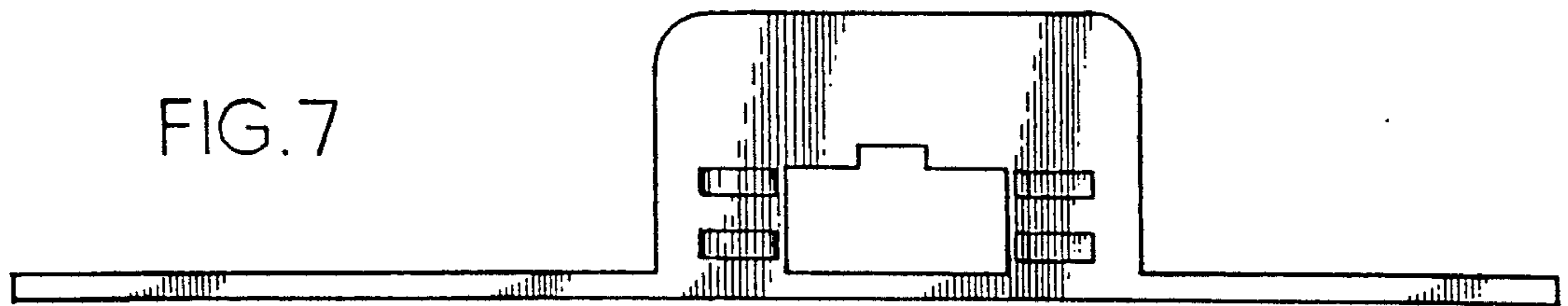


FIG. 7