



US00D340059S

United States Patent [19]

[11] Patent Number: **Des. 340,059**

Wetzel et al.

[45] Date of Patent: **** Oct. 5, 1993**

[54] INTERFACE TO A TELEPHONE SET

[75] Inventors: **Timothy D. Wetzel**, San Jose, Calif.; **Wayne McKinnon**, Georgetown, Tex.; **David Bryant**; **Pearce Jones**, both of Austin, Tex.

[73] Assignee: **Rolm Company**, Santa Clara, Calif.

[**] Term: **14 Years**

[21] Appl. No.: **901,897**

[22] Filed: **Jun. 22, 1992**

[52] U.S. Cl. **D14/256**; D13/147; D14/107

[58] Field of Search D13/133, 146, 147, 184; D14/240, 256, 140, 107, 114; 439/610, 620; 379/441-443, 325, 330, 428

[56] References Cited

U.S. PATENT DOCUMENTS

- D. 233,439 10/1974 Mathews D14/240
- D. 253,281 10/1979 Kim D13/184 X
- D. 275,850 10/1984 Wilson D13/147
- D. 304,193 10/1989 Lotz D14/240
- D. 314,747 2/1991 Lentola et al. D13/133
- D. 327,071 6/1992 Derbyshire D14/256
- D. 327,470 6/1992 Davis et al. D13/147
- D. 327,879 7/1992 Lou D14/107
- D. 327,880 7/1992 Lou D14/107
- D. 329,639 9/1992 Aruanitakis et al. D13/133 X
- D. 331,395 12/1992 Lou D14/107

OTHER PUBLICATIONS

Siemens "HICOM 100"; Der neue Standard, um ein-

fach komfortabler zu telefonieren. The relevant pages are 2-5, 7-12 and the last page.

Siemens "HICOM 100"; Convenience in Communication. The relevant pages are 3-8, 10-15 and the last page.

Siemens "HICOM 200"; Das ISDN-Kommunikationssystem mit den vielfältigen Lösungen. The relevant pages are the cover, 2, 5-11, 13 and the last page.

Siemens "HICOM 200"; The ISDN Communication System for Medium-Size Business. The relevant pages are the cover, 2, 4-5, 7, 9, 10, 13 and the last page.

Siemens "HICOM 300"; Das ISDN-Kommunikationssystem für höchste Ansprüche. The relevant pages are the cover, 5, 7, 10, 18 and the last page.

Siemens "HICOM 300"; The ISDN Communication System for Every Requirement. The relevant pages are the cover, 4-5, 7, 8, 12-13 and the last page.

Primary Examiner—Nelson C. Holtje

Assistant Examiner—Jeffrey Asch

Attorney, Agent, or Firm—Michael B. Einschlag

[57] CLAIM

The ornamental design for an interface to a telephone set, as shown and described.

DESCRIPTION

FIG. 1 is a perspective view of an interface to a telephone set showing our new design;

FIG. 2 is a top plan view;

FIG. 3 is a bottom plan view;

FIG. 4 is a right side elevational view;

FIG. 5 is a left side elevational view;

FIG. 6 is a rear elevational view; and,

FIG. 7 is a front elevational view thereof.

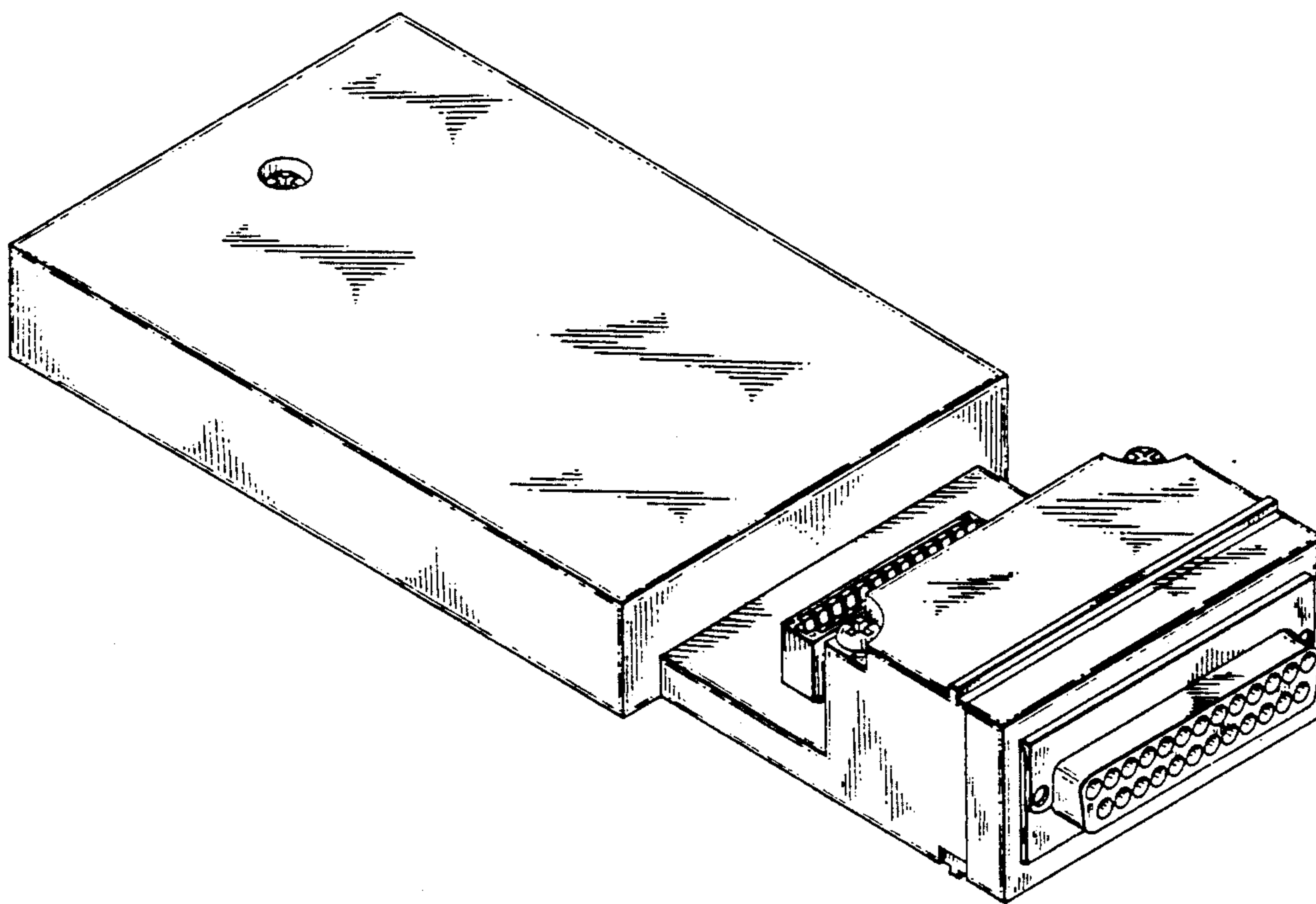


FIG. 1

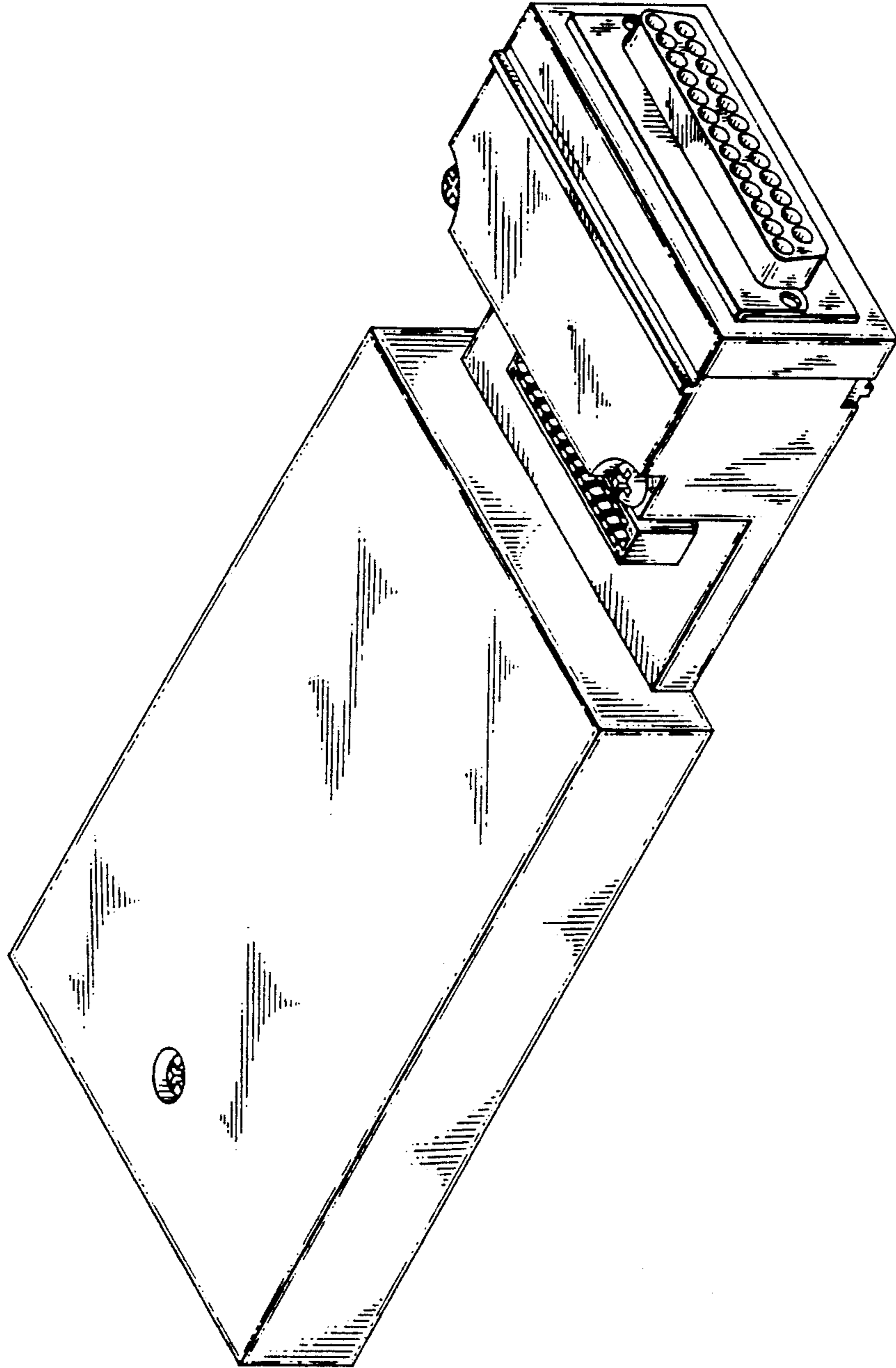


FIG. 3

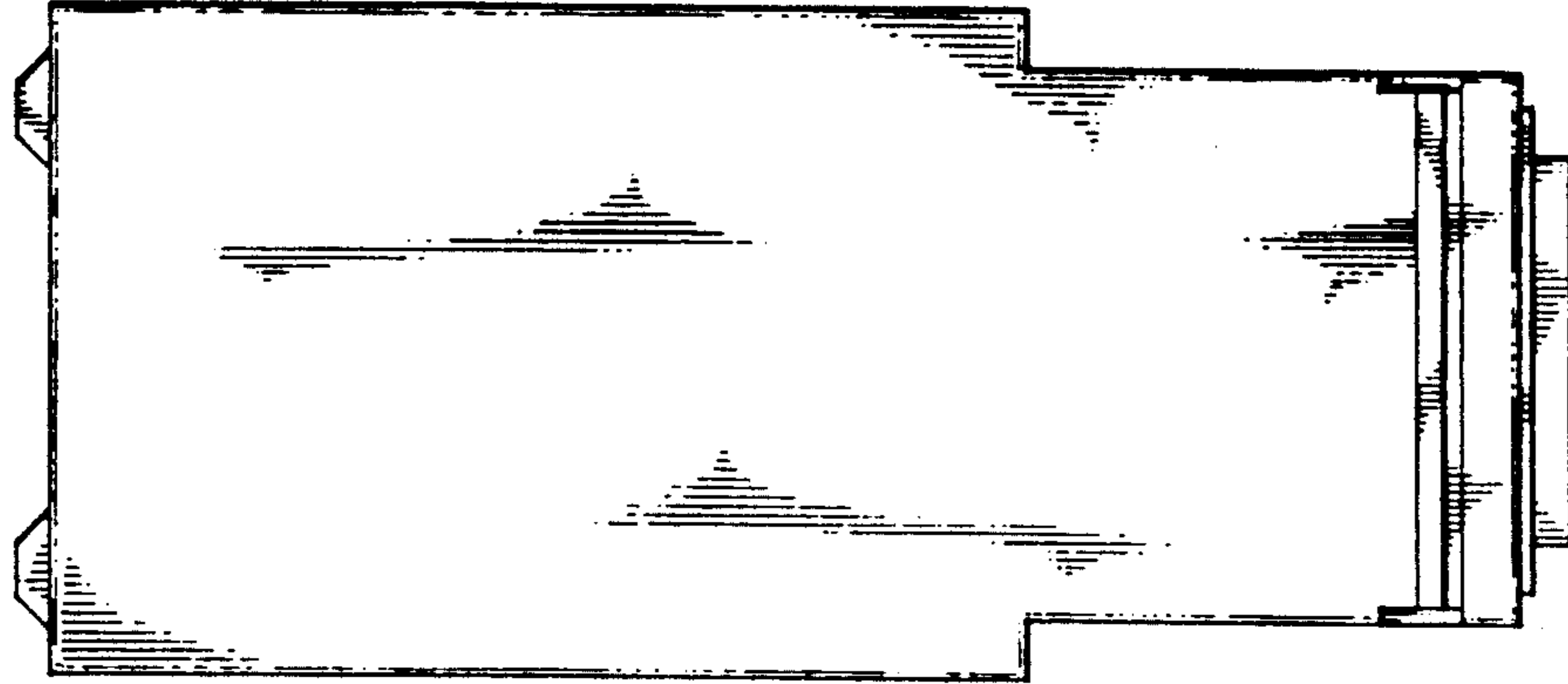


FIG. 2

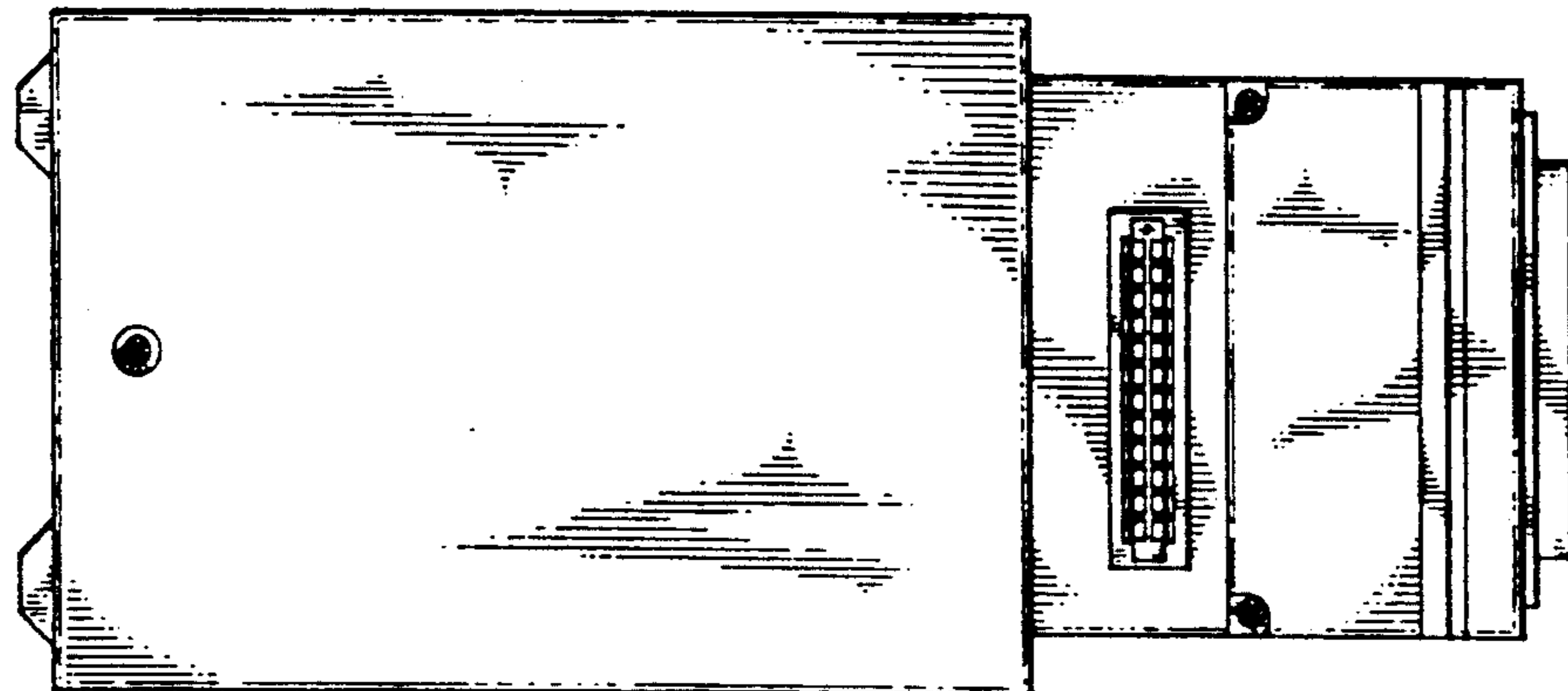


FIG. 6



FIG. 7

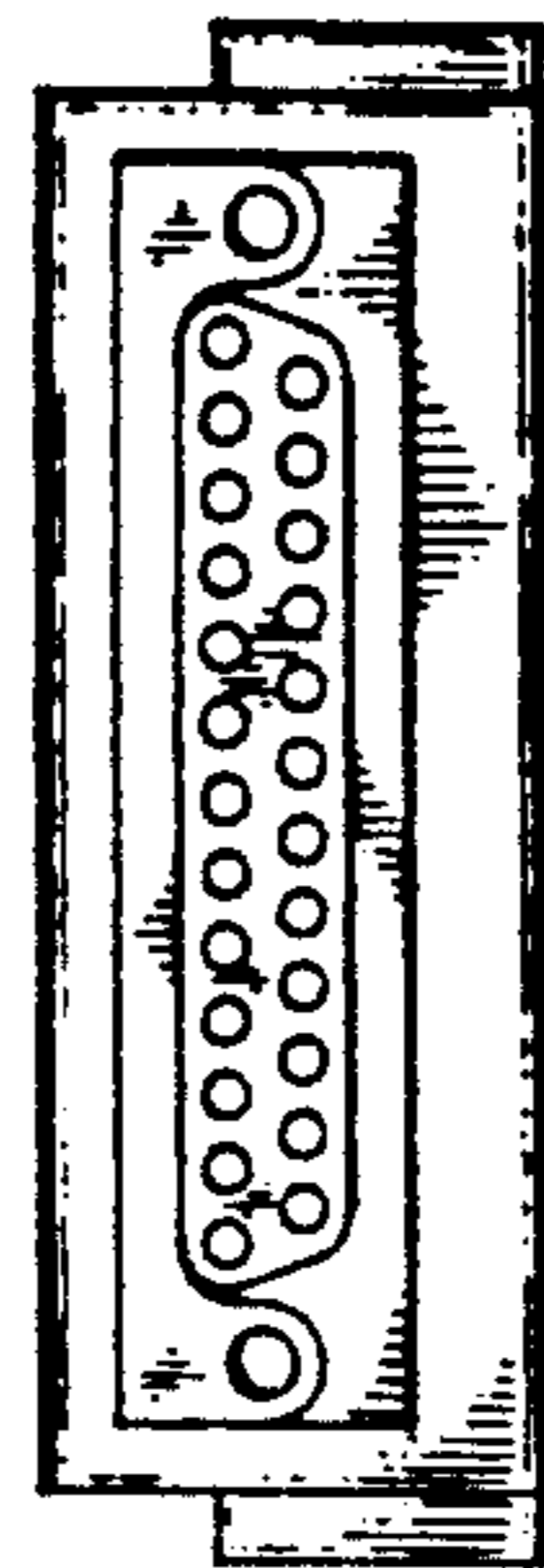


FIG. 4



FIG. 5

