



US00D340047S

United States Patent [19]

[11] Patent Number: Des. 340,047

Tseng

[45] Date of Patent: ** Oct. 5, 1993

- [54] CARD-ADAPTER FOR VIDEO GAME
- [76] Inventor: Ching J. Tseng, No. 13-2, Lane 778, Hua Cheng Rd., Hsin Chuang City, Taipei Hsien, Taiwan
- [**] Term: 14 Years
- [21] Appl. No.: 943,209
- [22] Filed: Sep. 11, 1992
- [52] U.S. Cl. D14/121; D14/114; D21/48
- [58] Field of Search D14/114, 120, 121, 218, D14/239; D21/48, 13; 273/148 B, 433-437, DIG. 28; 242/197-199; 235/382.5; 360/131, 132, 133, 137; 365/189.01

5,112,051 5/1992 Darling et al. 273/435 X

OTHER PUBLICATIONS

Hong Kong Enterprise, Oct. 1981, p. 511 item, Game 5 top right of the page.
Playthings, Sep. 1988, top right of the page.

Primary Examiner—Prabhakar G. Deshmukh
Attorney, Agent, or Firm—Morton J. Rosenberg; David I. Klein

[56] References Cited

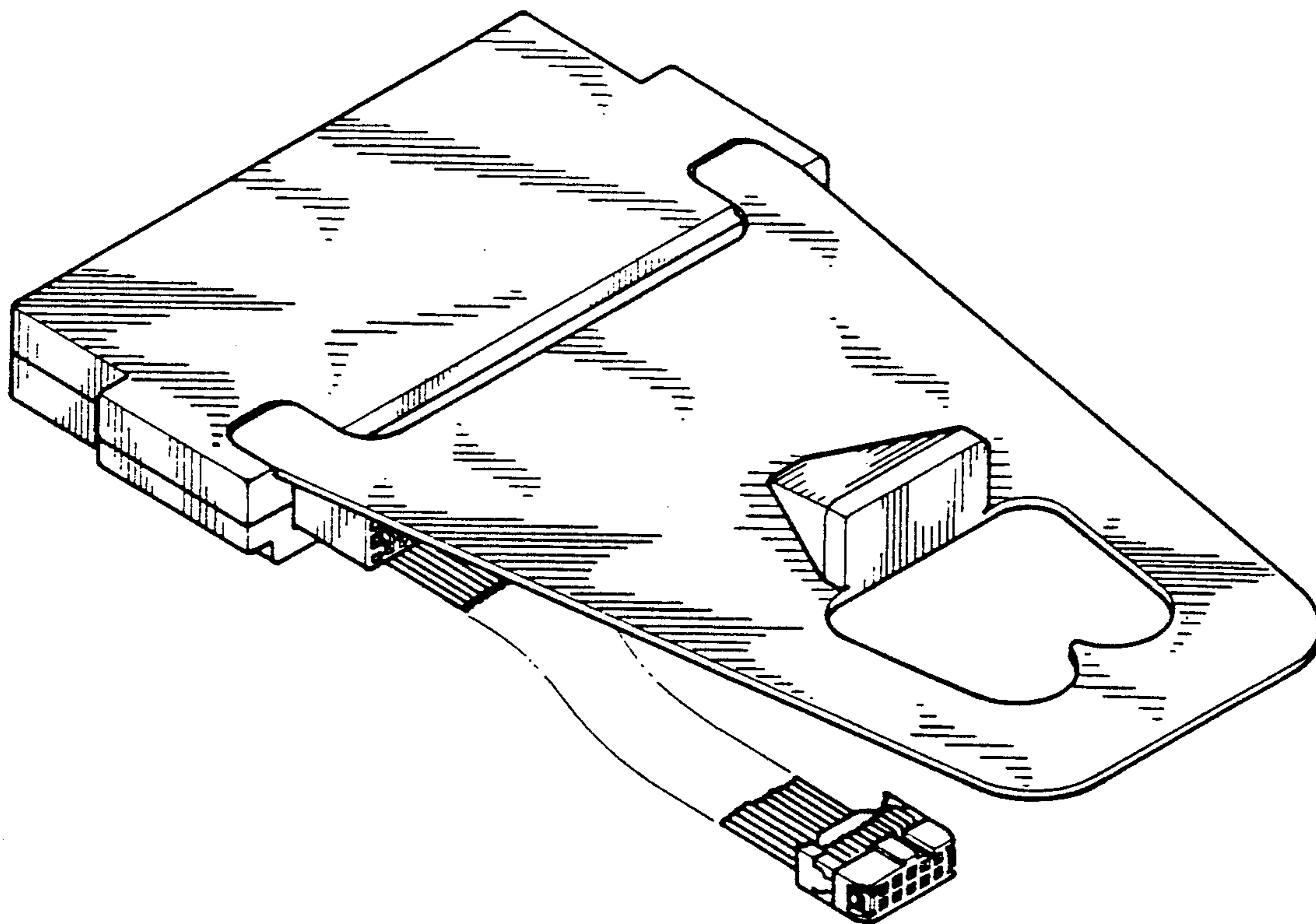
U.S. PATENT DOCUMENTS

D. 317,913	7/1991	Inoue	D14/114
D. 330,370	10/1992	Tseng	D14/121 X
D. 332,257	1/1993	Darling et al.	D14/114
D. 334,924	4/1993	Crawford et al.	D14/121
4,480,835	11/1984	Williams	273/148 B
4,844,465	7/1989	Hibino et al.	273/148 B
4,865,321	9/1989	Nakagawa et al.	273/435 X
4,976,435	12/1990	Shatford et al.	273/437 X

[57] CLAIM
The ornamental design for a card-adapter for video game, as shown and described.

DESCRIPTION

FIG. 1 is a perspective view from the front, left, and top sides of a card-adapter for video game showing my design;
FIG. 2 is a front elevational view thereof;
FIG. 3 is a rear elevational view thereof;
FIG. 4 is a right side elevational view thereof; the left side elevational view is an image thereof;
FIG. 5 is a top plan view thereof; and,
FIG. 6 is a bottom plan view thereof.
The ribbon cable shown in fragmentary views is intended to show it's undetermined length.



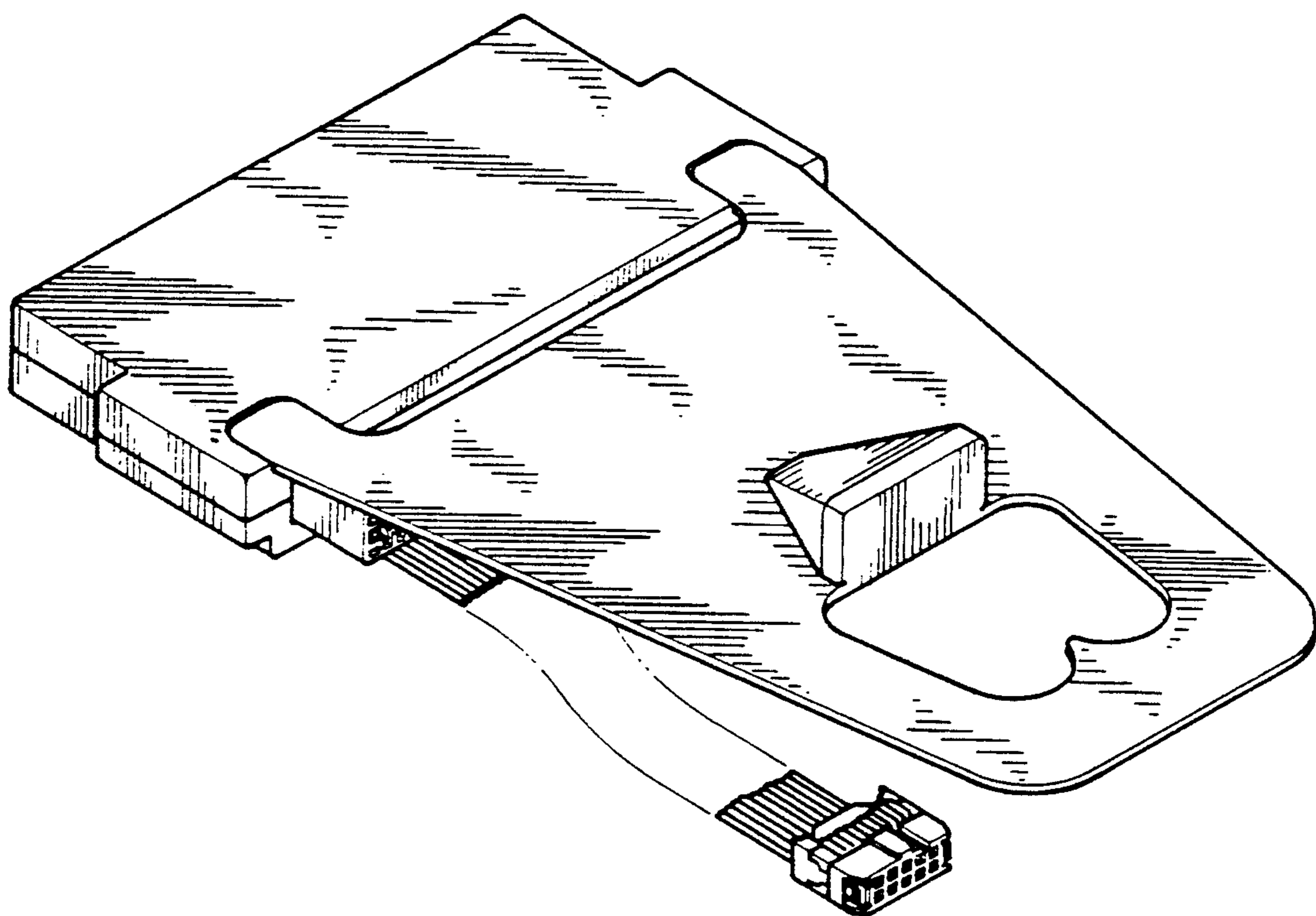


FIG.1

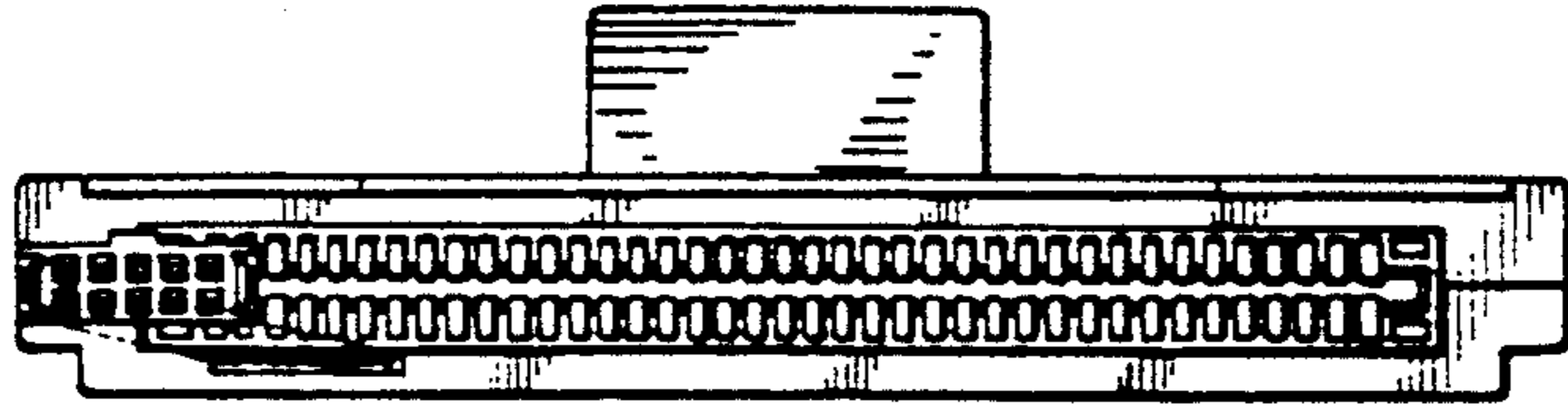


FIG. 2

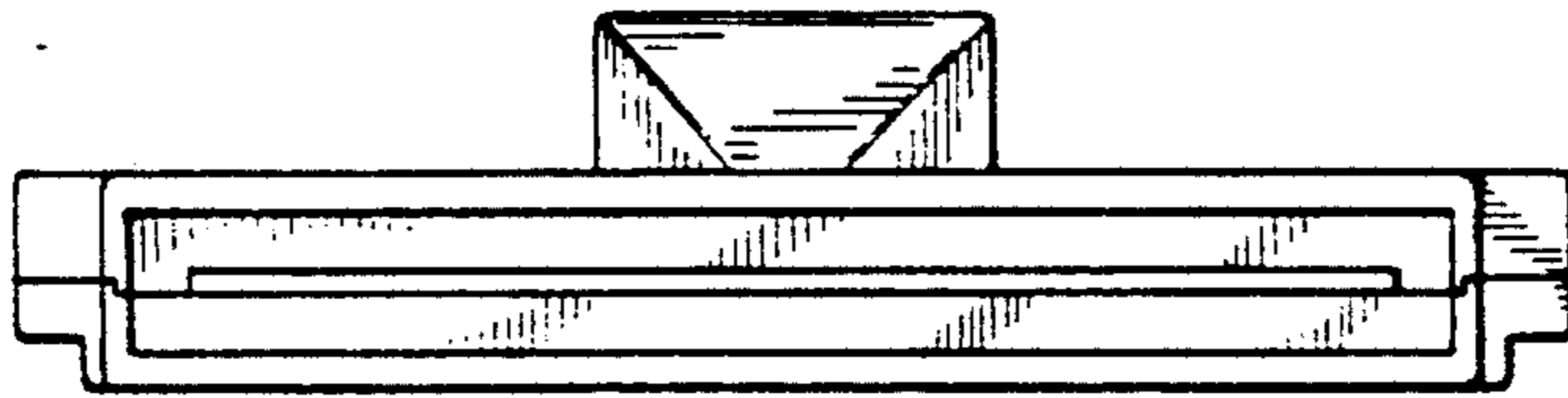


FIG. 3

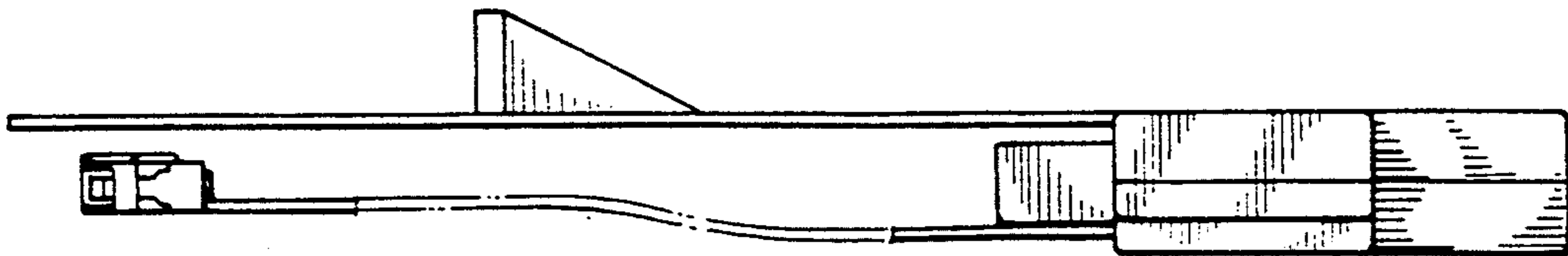


FIG. 4

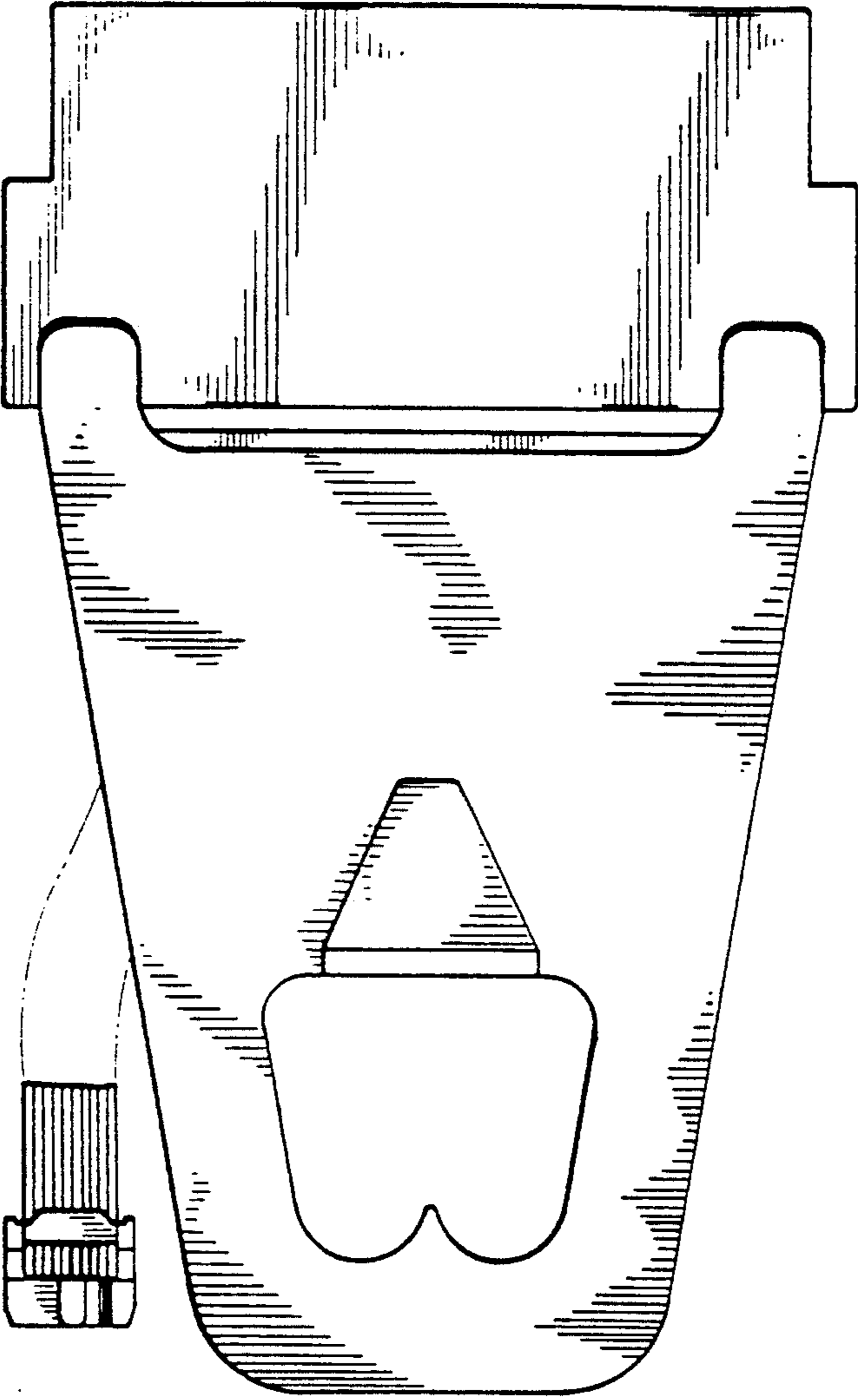


FIG. 5

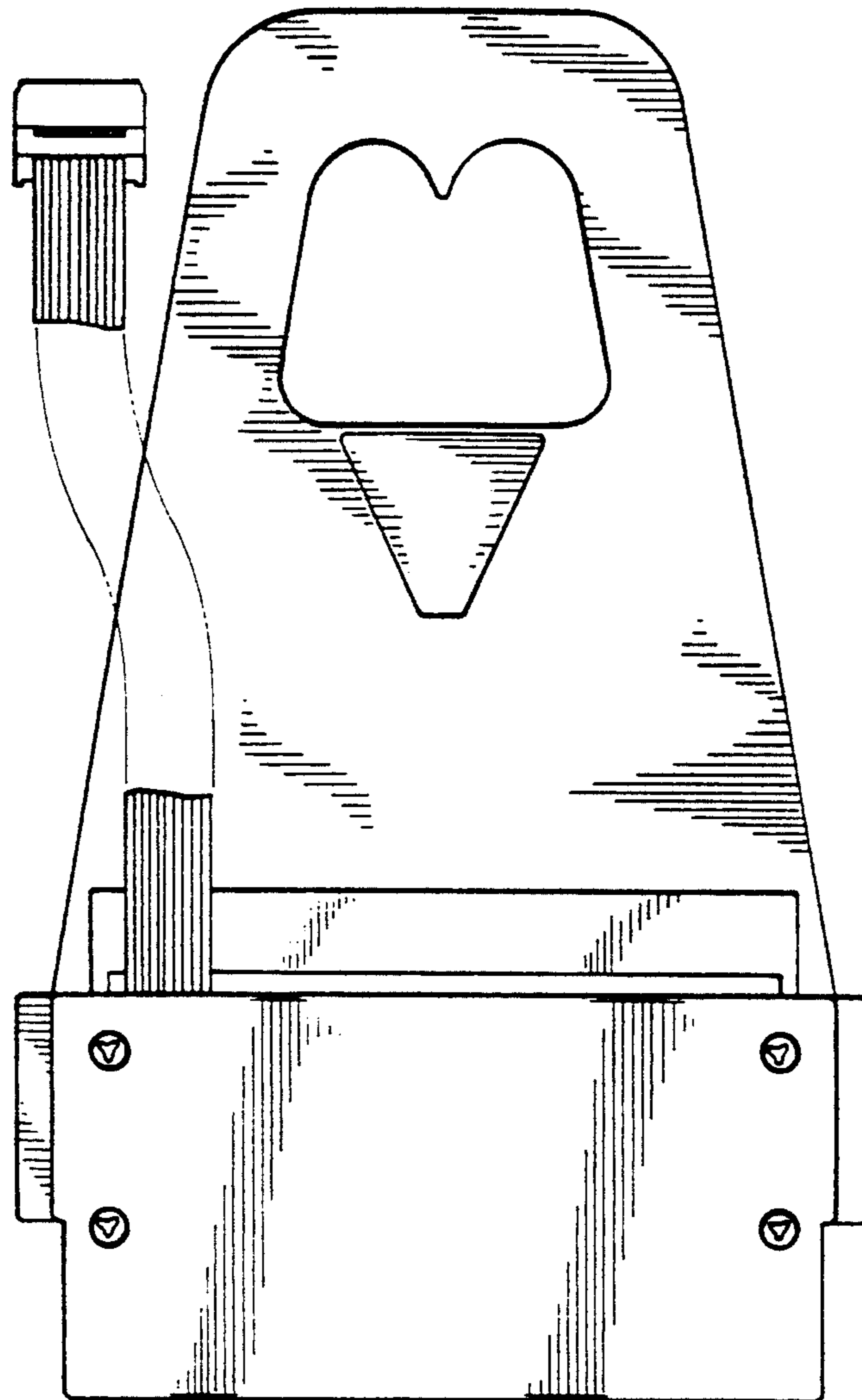


FIG.6