



US00D340046S

# United States Patent [19]

Chu

[11] Patent Number: **Des. 340,046**

[45] Date of Patent: **\*\* Oct. 5, 1993**

[54] **COMPUTER MAINFRAME FRONT PANEL**

[76] Inventor: **Edward Chu, 2F., No. 10, Lane 329, Sec. 1, Tunhua S. Rd., Taipei, Taiwan**

[\*\*] Term: **14 Years**

[21] Appl. No.: **784,786**

[22] Filed: **Oct. 30, 1991**

[52] U.S. Cl. .... **D14/115**

[58] Field of Search ..... **D14/100, 102, 109, 115; D13/162, 184, 199; 360/99.12; 361/380-385, 390-395; 312/223**

[56] **References Cited**

**U.S. PATENT DOCUMENTS**

- D. 314,568 2/1991 Martin ..... D14/115
- D. 315,339 3/1991 Yang ..... D14/115
- D. 330,546 10/1992 Herrick ..... D14/115

- D. 331,046 11/1992 Herrick ..... D14/115
- D. 334,185 3/1993 Lam ..... D14/115

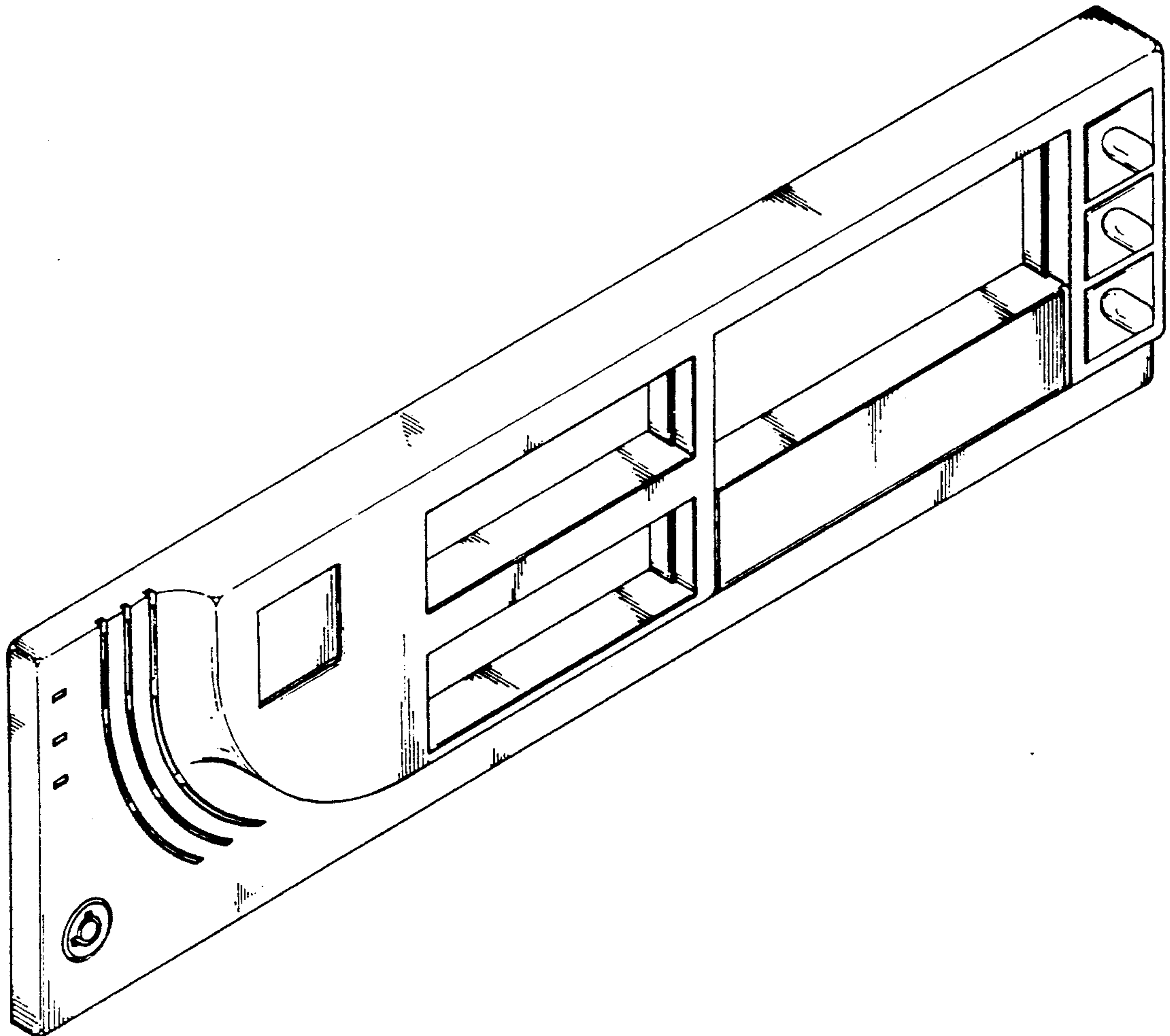
*Primary Examiner*—Wallace R. Burke  
*Assistant Examiner*—Freda S. Nunn  
*Attorney, Agent, or Firm*—Varndell Legal Group

[57] **CLAIM**

The ornamental design for a computer mainframe front panel, as shown and described.

**DESCRIPTION**

FIG. 1 is a perspective view of a computer mainframe front panel showing my new design; FIG. 2 is a front elevational view thereof; FIG. 3 is a rear elevational view thereof; FIG. 4 is a left side elevational view thereof; FIG. 5 is a right side elevational view thereof; FIG. 6 is a top plan view thereof; and, FIG. 7 is a bottom plan view thereof.



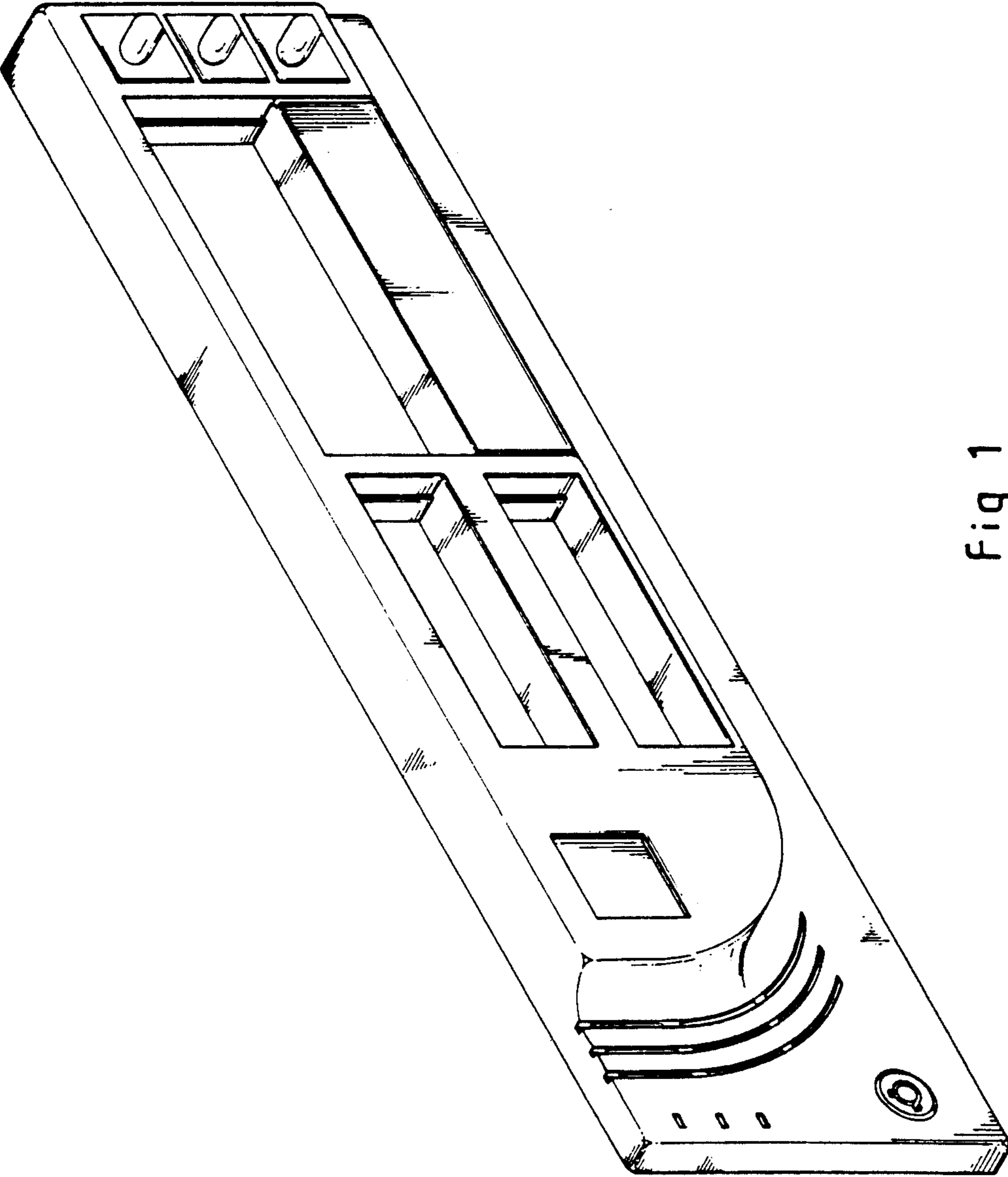


Fig 1

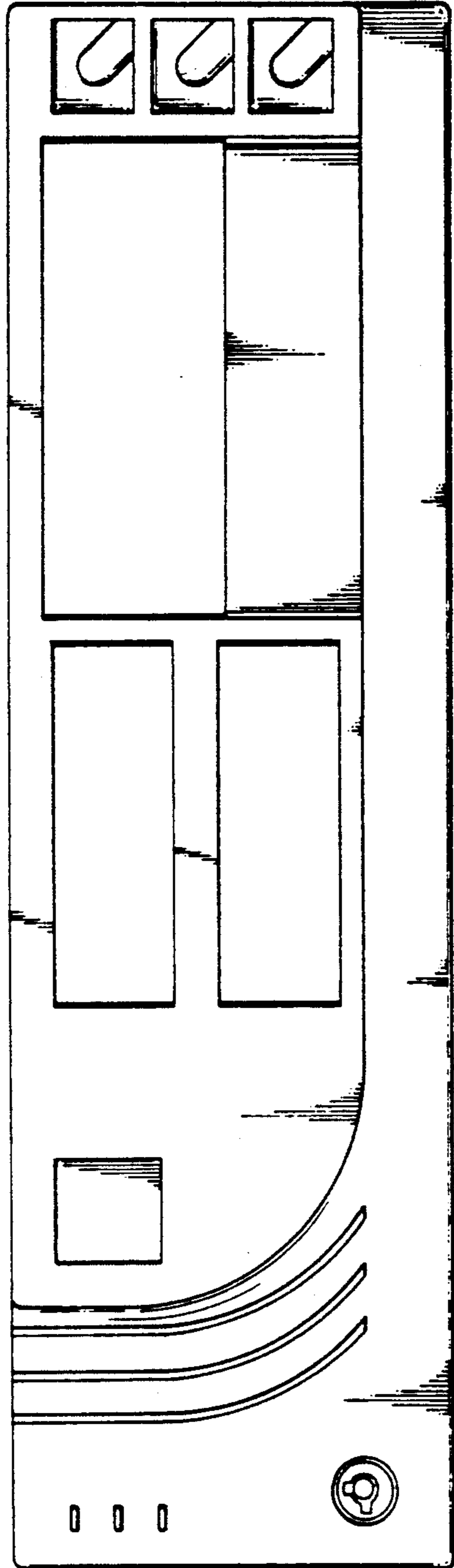


Fig 2

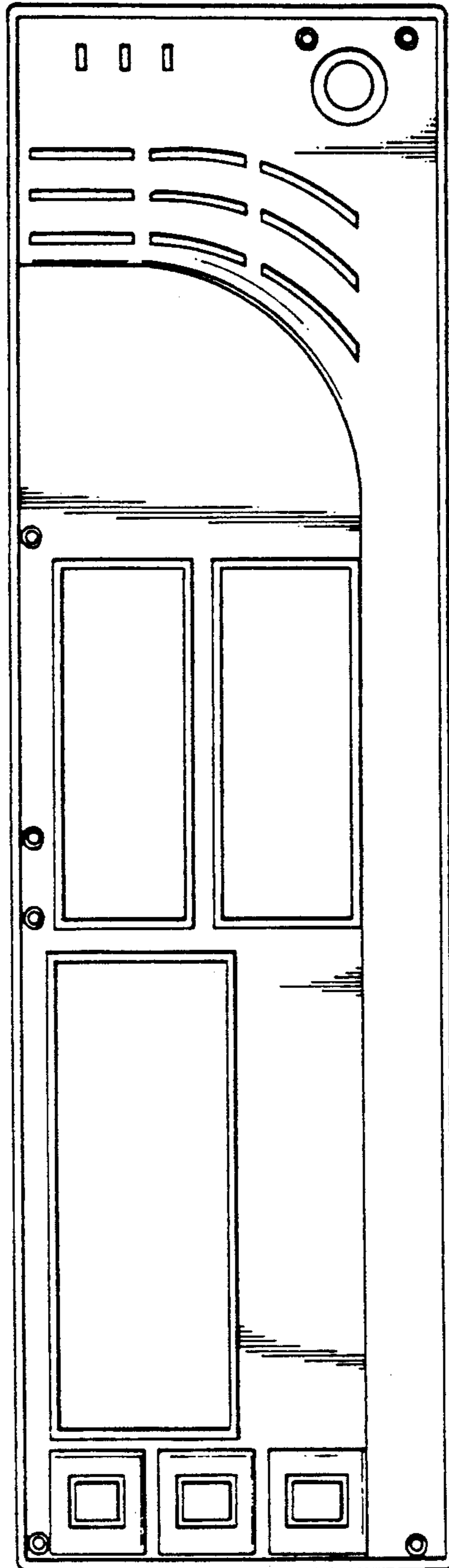


Fig 3

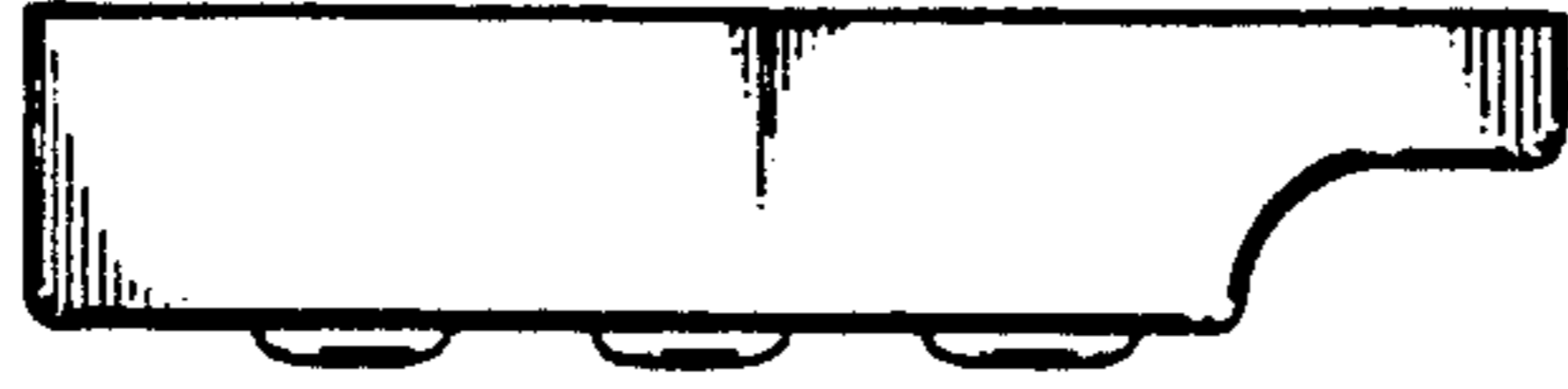


Fig 5



Fig 4

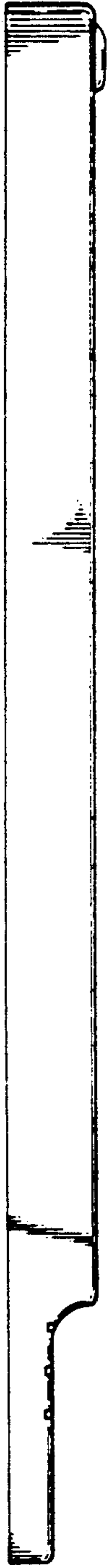


Fig 6



Fig 7