



US00D340037S

United States Patent [19]

[11] Patent Number: **Des. 340,037**

Yokota et al.

[45] Date of Patent: **** Oct. 5, 1993**

[54] **PORTABLE COMPUTER**

[75] Inventors: **Masao Yokota**, Santa Cruz; **John T. Hui**; **Wayne A. Yankee**, both of San Jose, all of Calif.

[73] Assignee: **Everex Systems, Inc.**, Fremont, Calif.

[**] Term: **14 Years**

[21] Appl. No.: **847,827**

[22] Filed: **Mar. 6, 1992**

[52] U.S. Cl. **D14/106**

[58] Field of Search **D14/100, 101, 106, 113, D14/115; D18/1, 7, 11, 12; 235/145 A, 145 R; 340/700, 706; 341/22, 23; 364/708; 361/390, 391**

D. 316,545	4/1991	Esslinger et al.	D14/106
D. 319,222	8/1991	Mizusugi et al.	D14/106
D. 326,846	6/1992	Lerude	D14/106
4,571,456	2/1986	Paulsen et al.	179/2 C
5,157,585	10/1992	Myers	361/390 X

Primary Examiner—Wallace R. Burke
Assistant Examiner—Freda S. Nunn
Attorney, Agent, or Firm—Blakely, Sokoloff, Taylor & Zafman

[57] **CLAIM**

The ornamental design for a portable computer, as shown and described.

DESCRIPTION

FIG. 1 is a top, front, left side perspective view of a portable computer showing the new design, the computer being in the closed position;
FIG. 2 is a front elevational view thereof;
FIG. 3 is a rear elevational view thereof;
FIG. 4 is a top plan view thereof on an enlarged scale;
FIG. 5 is a bottom plan view thereof on an enlarged scale;
FIG. 6 is a right side elevational view thereof;
FIG. 7 is a left side elevational view thereof; and,
FIG. 8 is a left side perspective view thereof with the keyboard open.

[56] **References Cited**

U.S. PATENT DOCUMENTS

D. 250,588	12/1978	Mayer et al.	D14/106
D. 254,005	1/1980	Reid et al.	D14/106
D. 263,586	3/1982	Murez	D14/106
D. 272,351	1/1984	Moraine	D14/106
D. 275,102	8/1984	MacConnell	D14/106
D. 275,756	10/1984	Stirling	D14/106
D. 315,553	3/1991	Davis et al.	D14/106

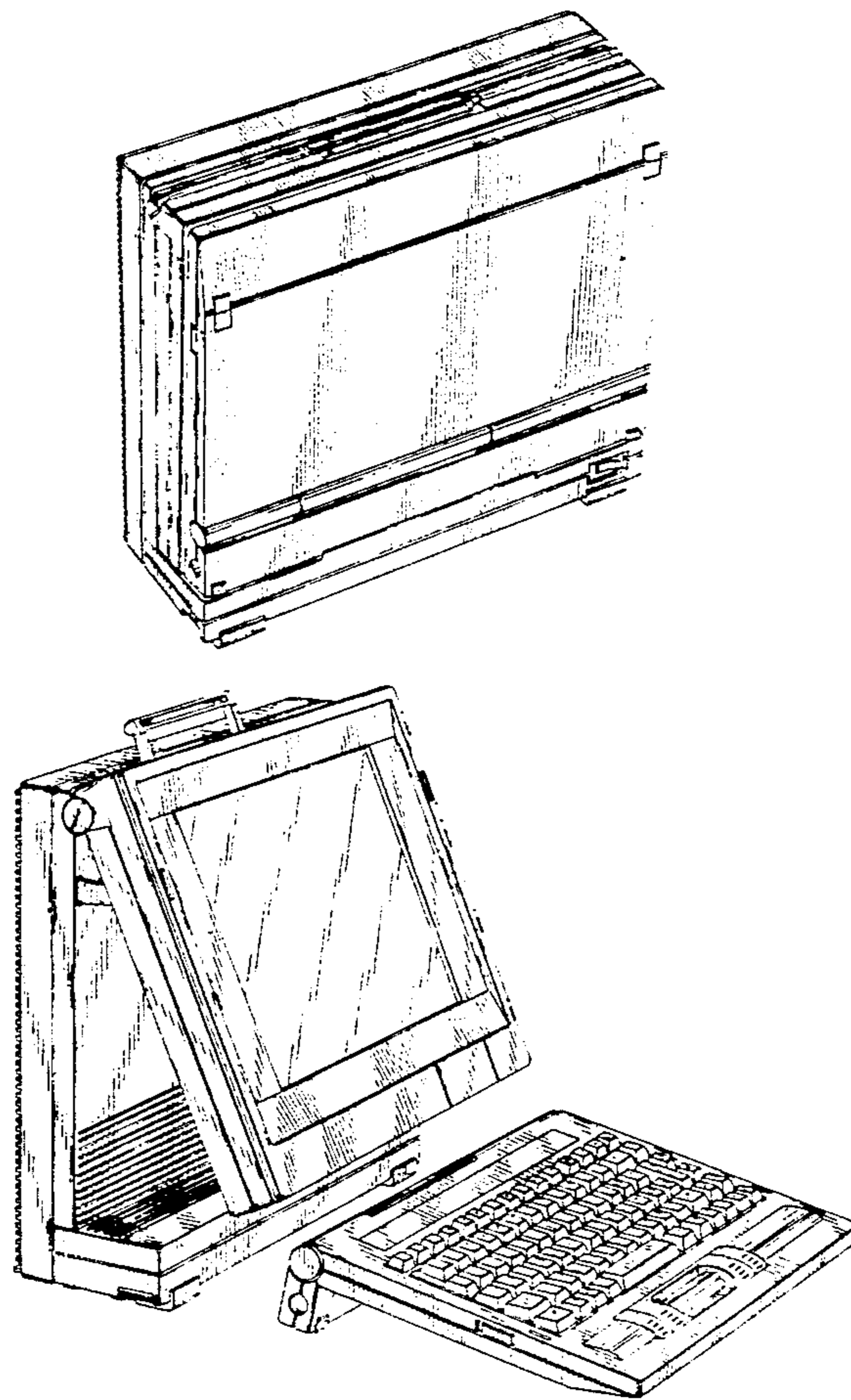


FIG. 1

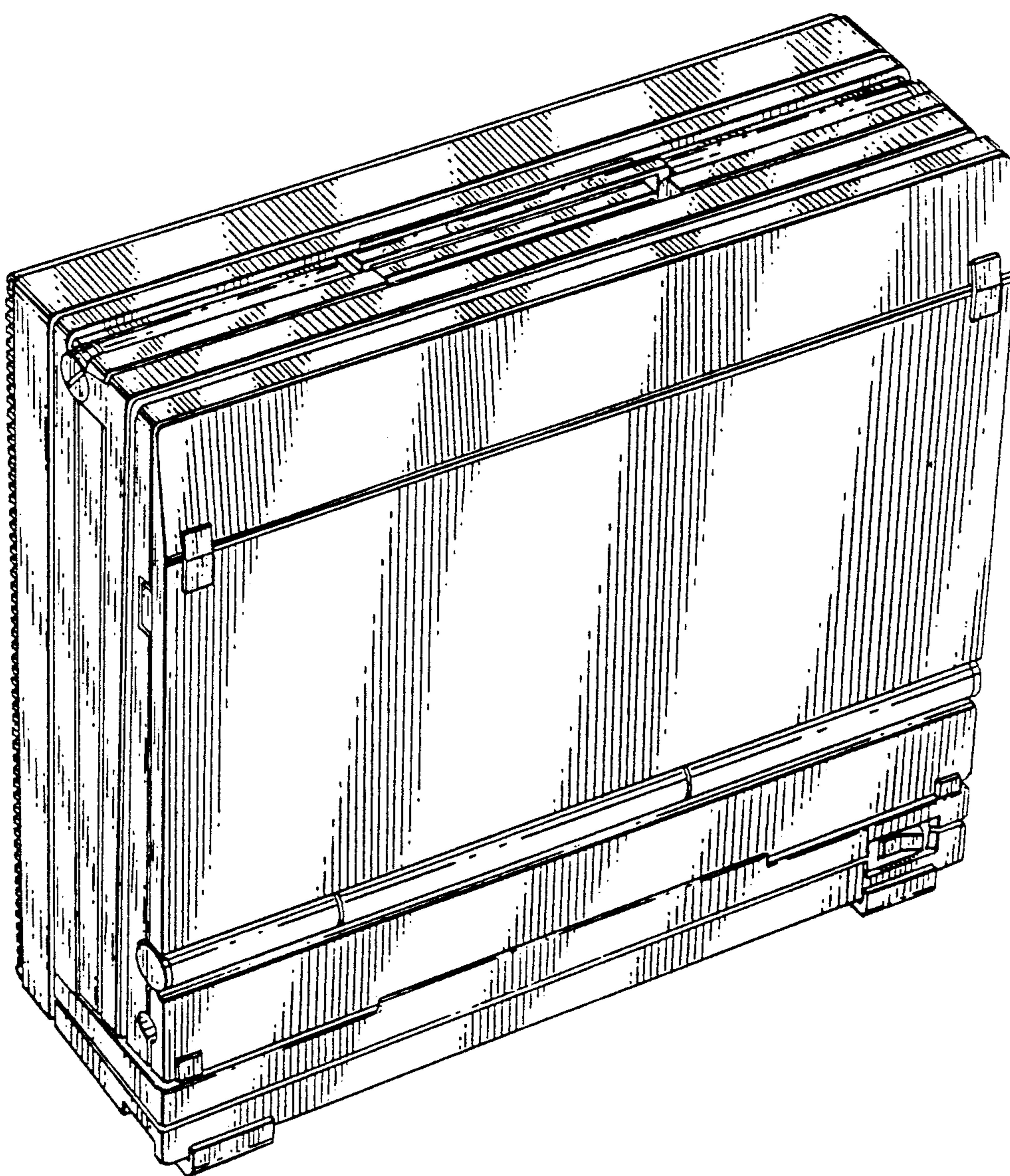


FIG 2

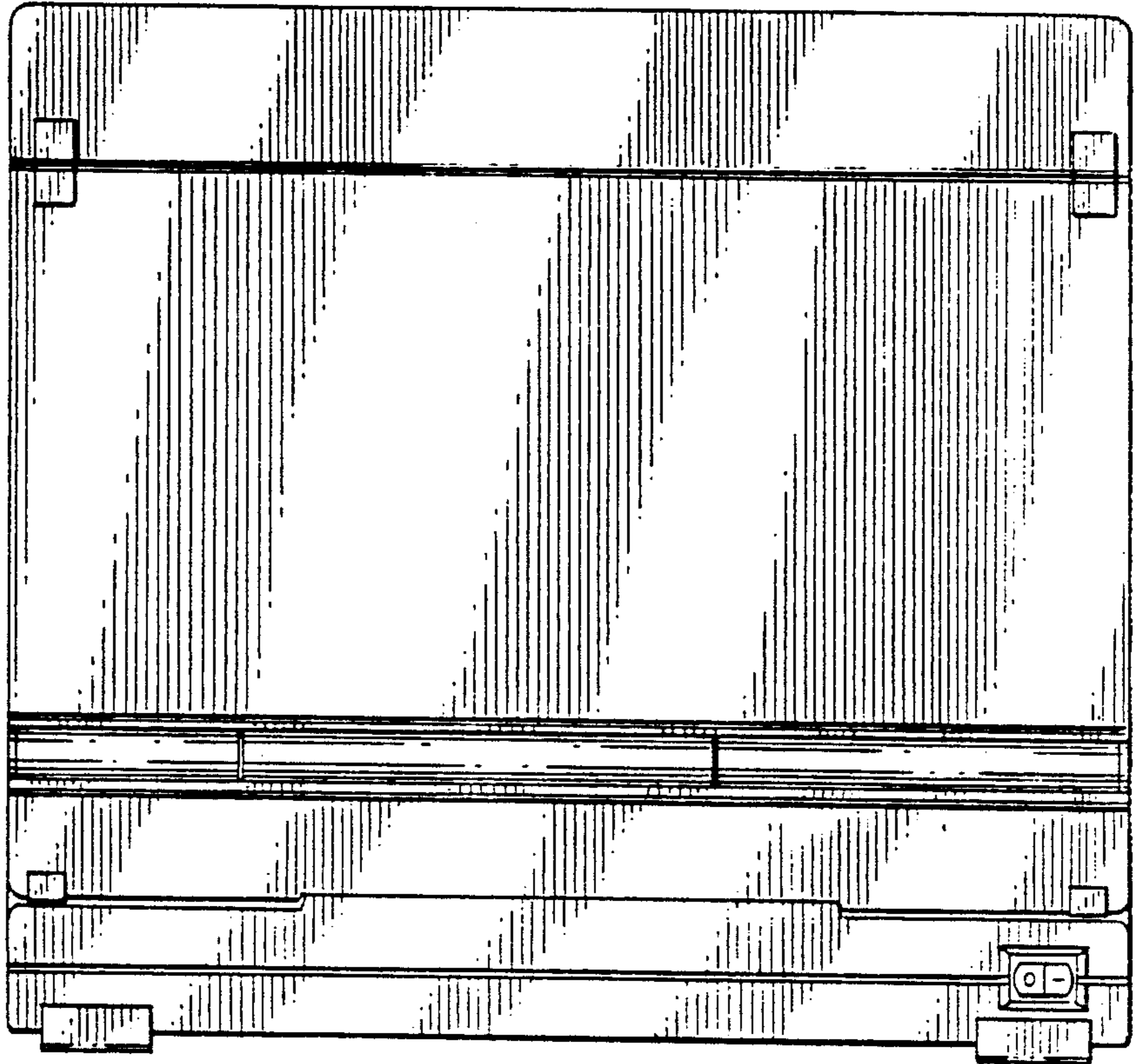


FIG 3

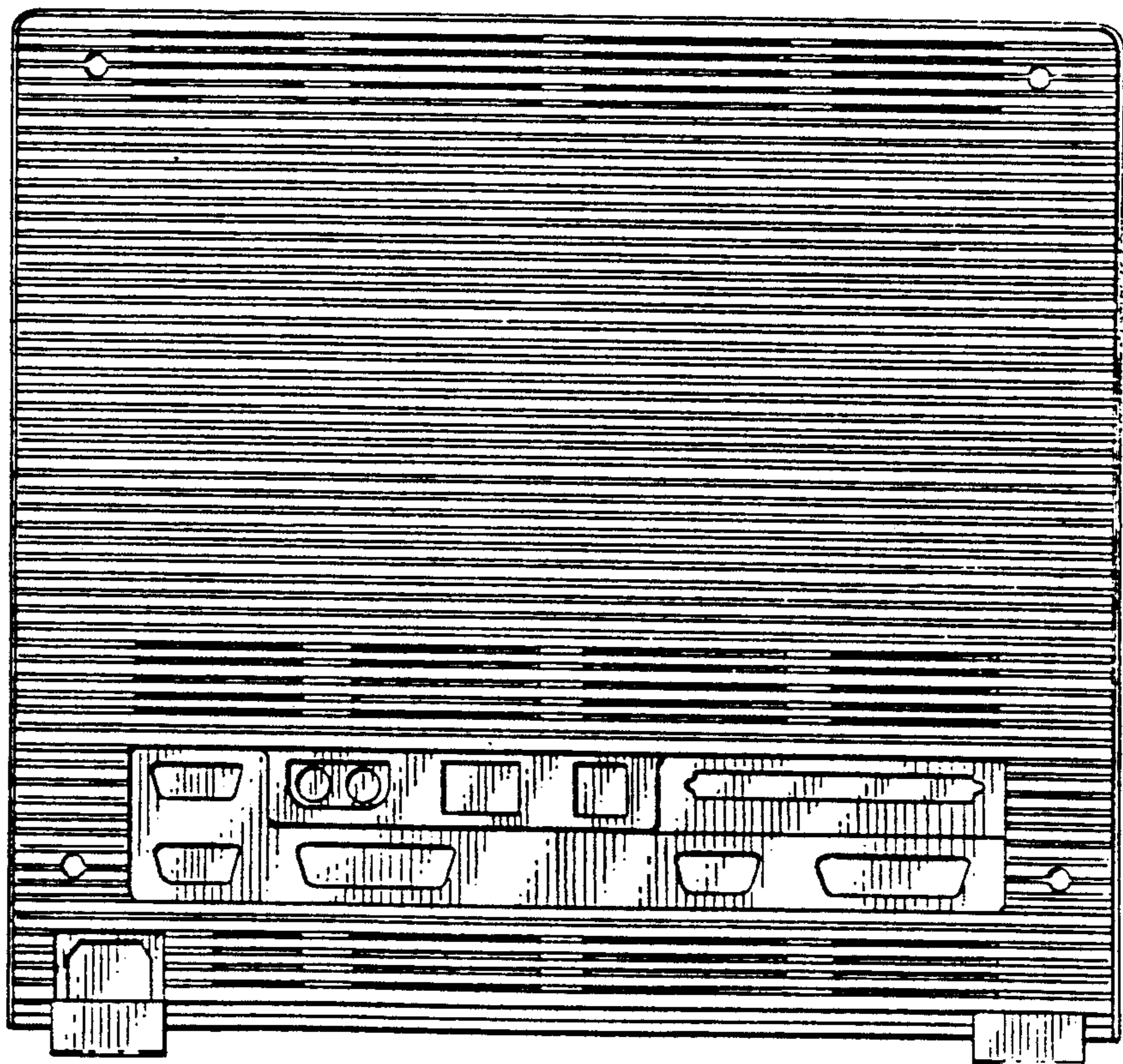


FIG 4

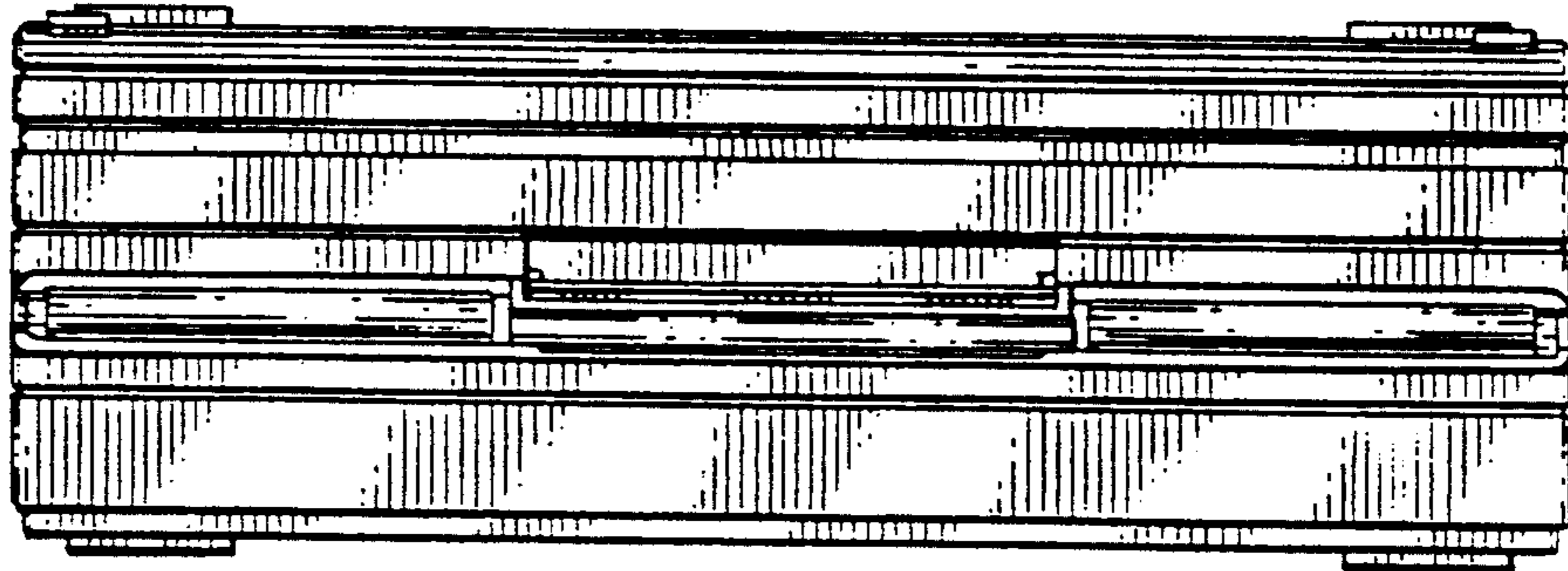


FIG 5

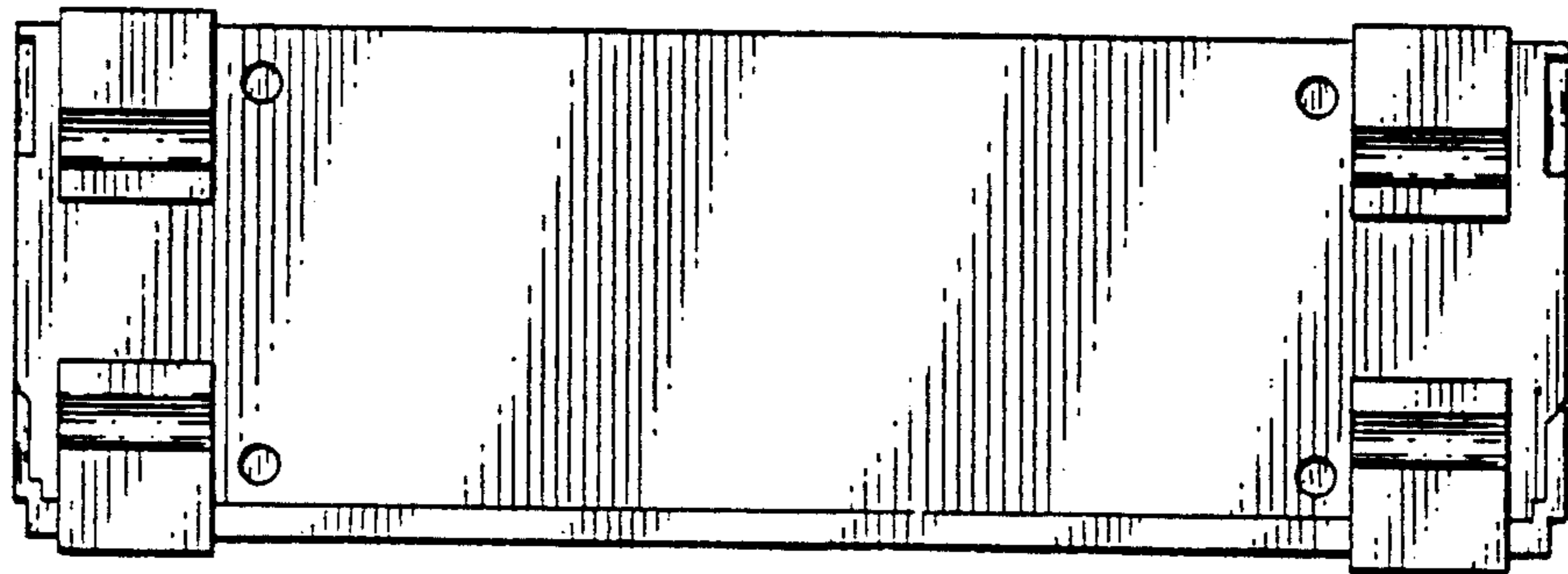


FIG 6

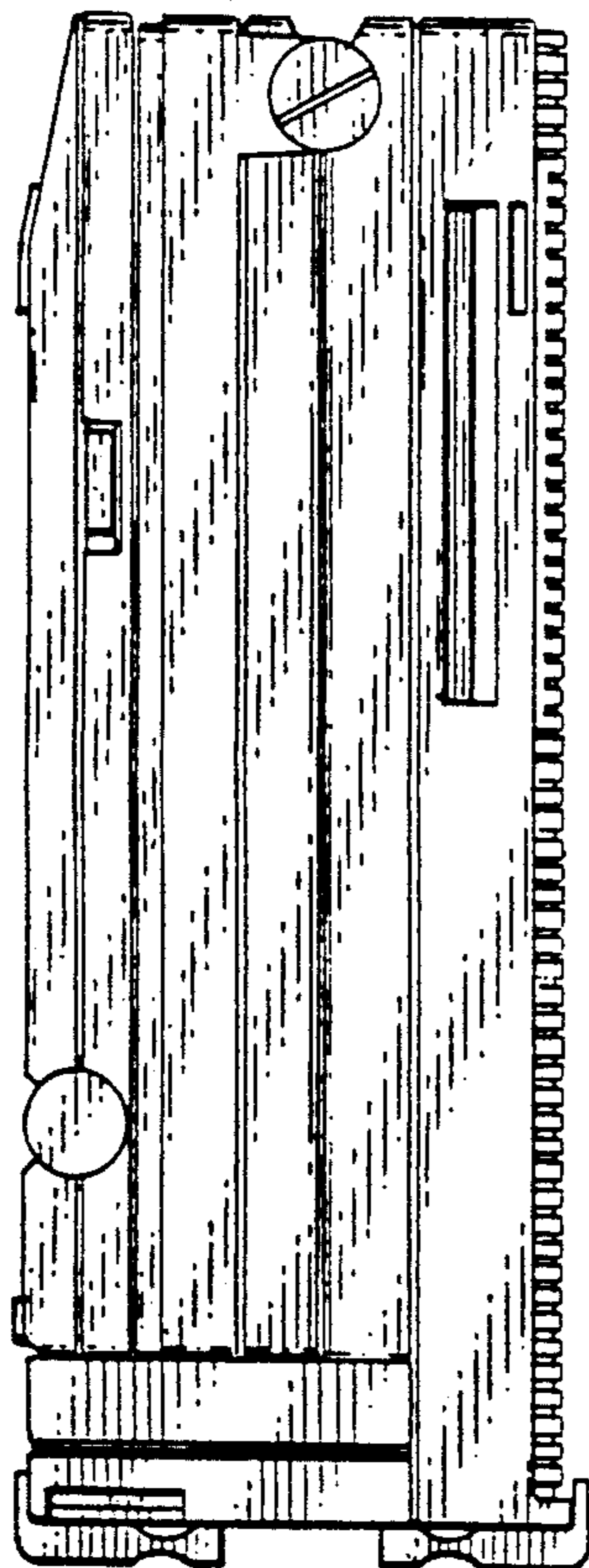
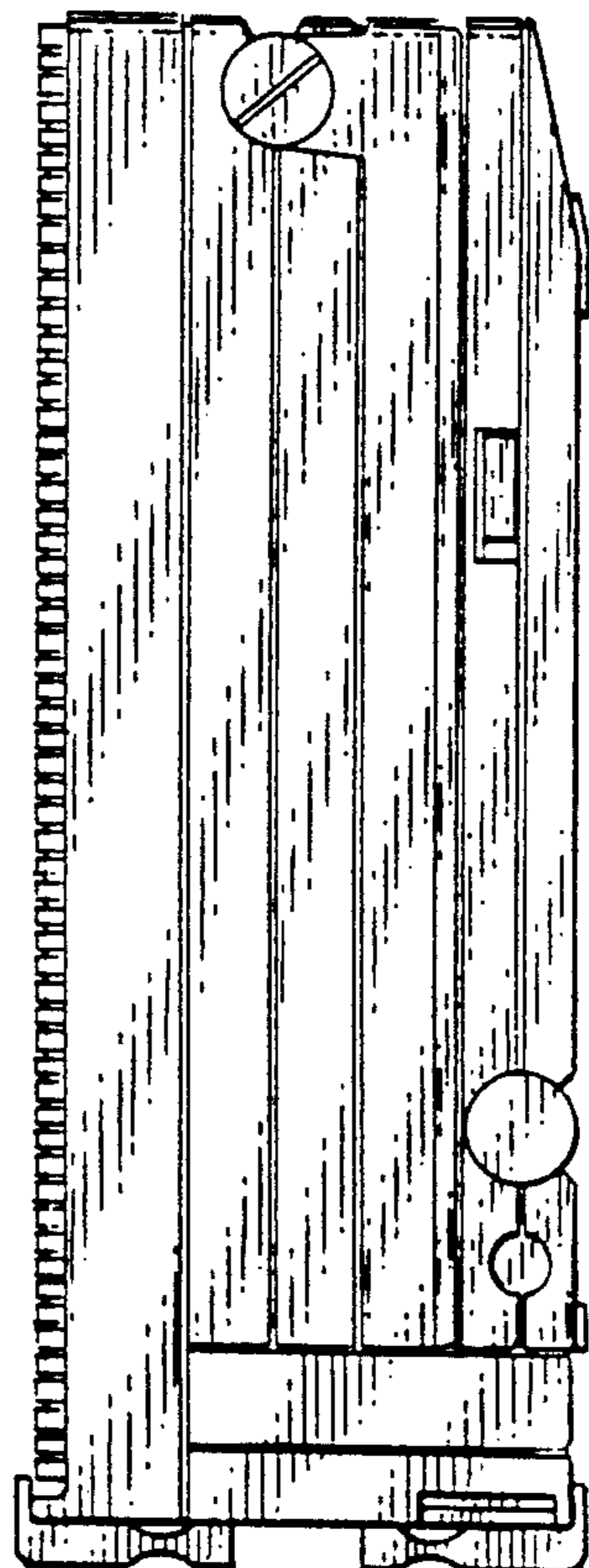


FIG 7



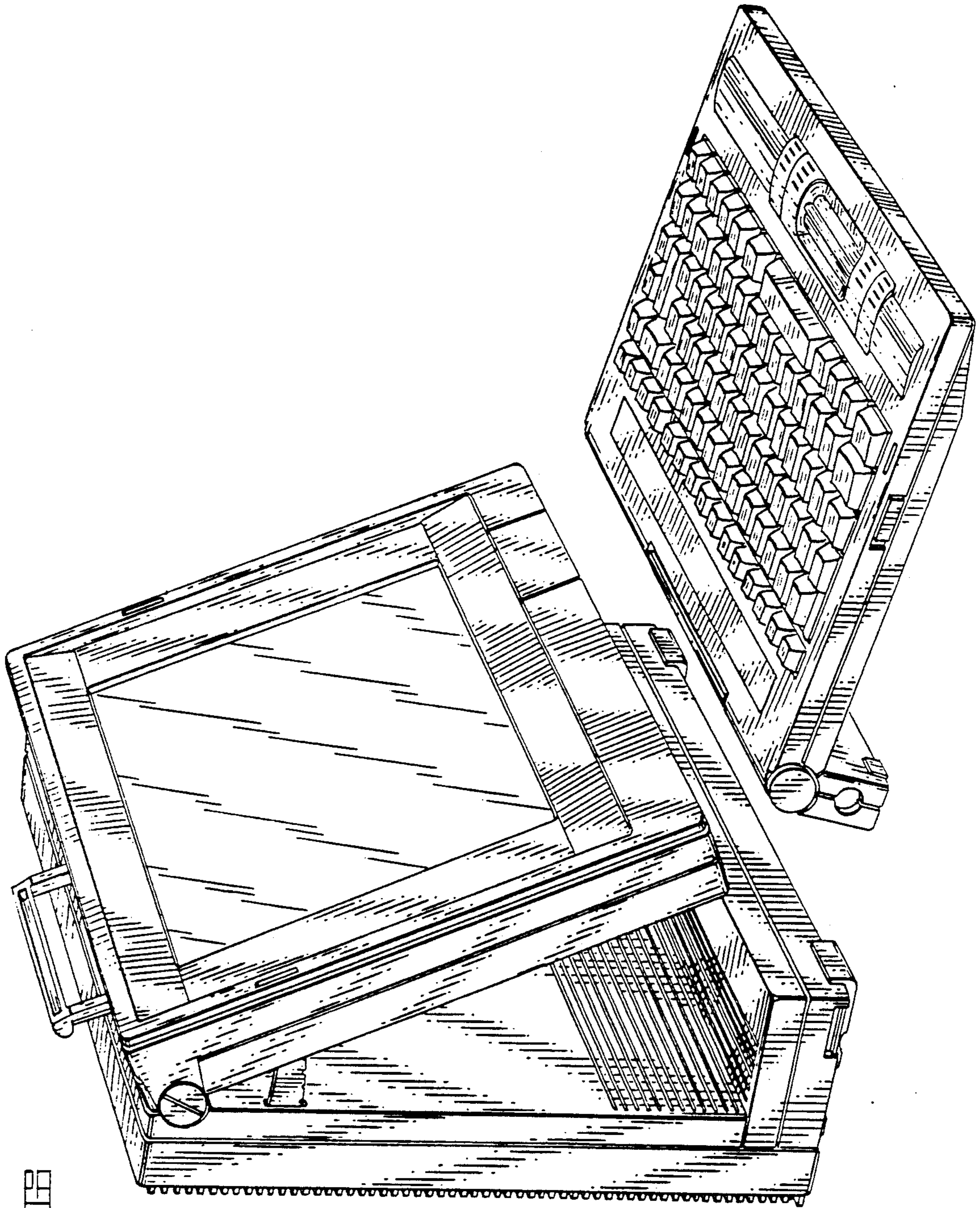


FIG. 10