



US00D340036S

United States Patent [19]

Connors et al.

[11] Patent Number: Des. 340,036

[45] Date of Patent: ** Oct. 5, 1993

[54] SMART CARD READER

[75] Inventors: John K. Connors, Elwood; Richard W. Curry, Fountaintown, both of Ind.; Richard M. Joffe, Teaneck, N.J.; John N. McGarvey, Drexel Hill, Pa.; David C. Stowers, Nutley, N.J.

[73] Assignee: AT&T Bell Laboratories, Murray Hill, N.J.

[**] Term: 14 Years

[21] Appl. No.: 788,710

[22] Filed: Nov. 4, 1991

[52] U.S. Cl. D14/105

[58] Field of Search D14/105; D18/4; 235/379, 380, 382, 382.5, 483, 492, 493, 479; 354/80-82

[56] References Cited

U.S. PATENT DOCUMENTS

- D. 292,939 11/1987 Aubrey D14/107 X
- D. 293,792 1/1988 Watson D14/107 X
- D. 294,146 2/1988 Duke D14/107
- D. 323,489 1/1992 Harris, Jr. et al. D14/100
- 4,523,297 6/1985 Ugon et al. 364/900
- 4,602,151 7/1986 Hellsberg 235/493 X

- 4,705,211 11/1987 Honda et al. 235/380
- 4,812,632 3/1989 Kakinuma et al. 235/479
- 4,968,873 11/1990 Dethloff et al. 235/492 X

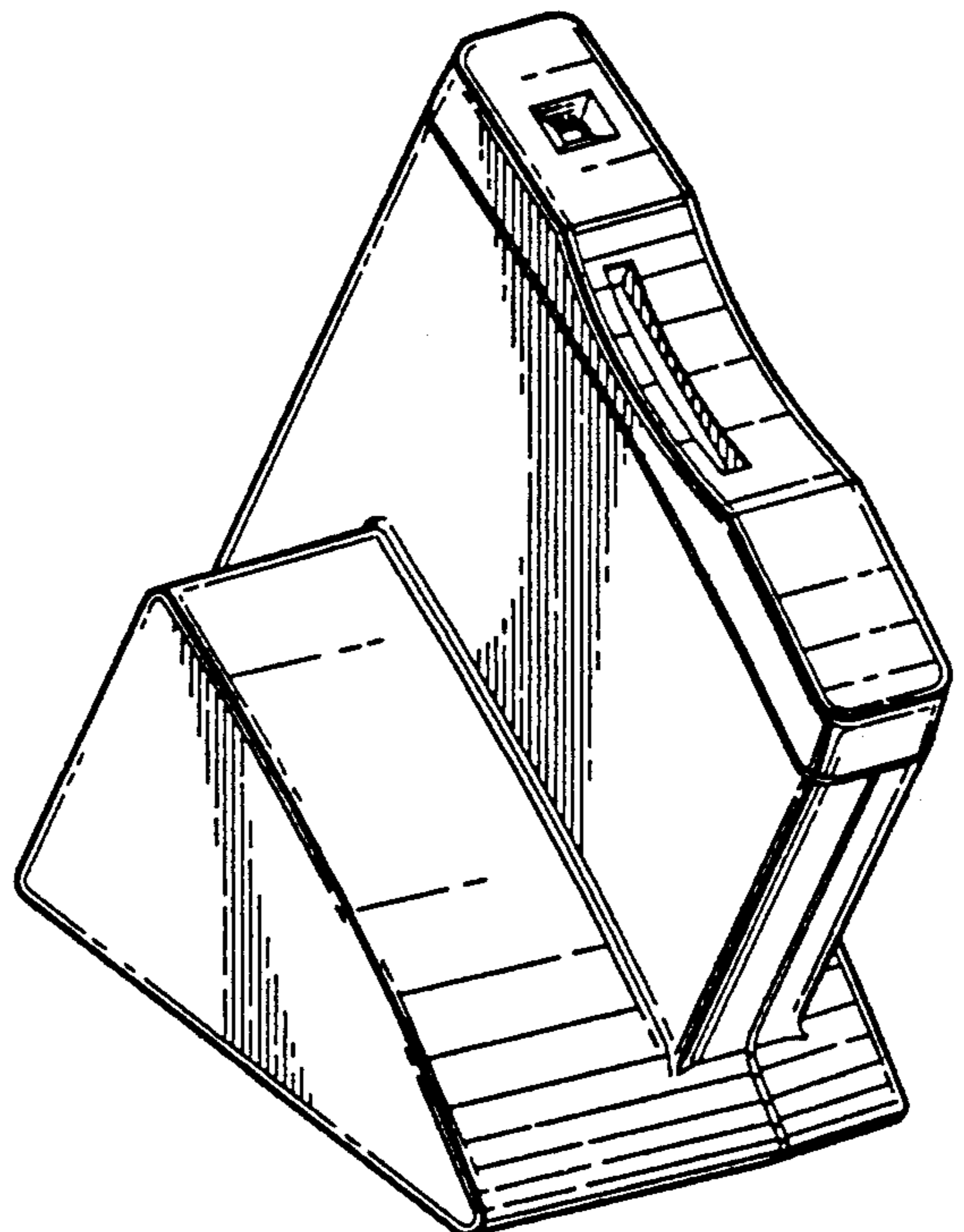
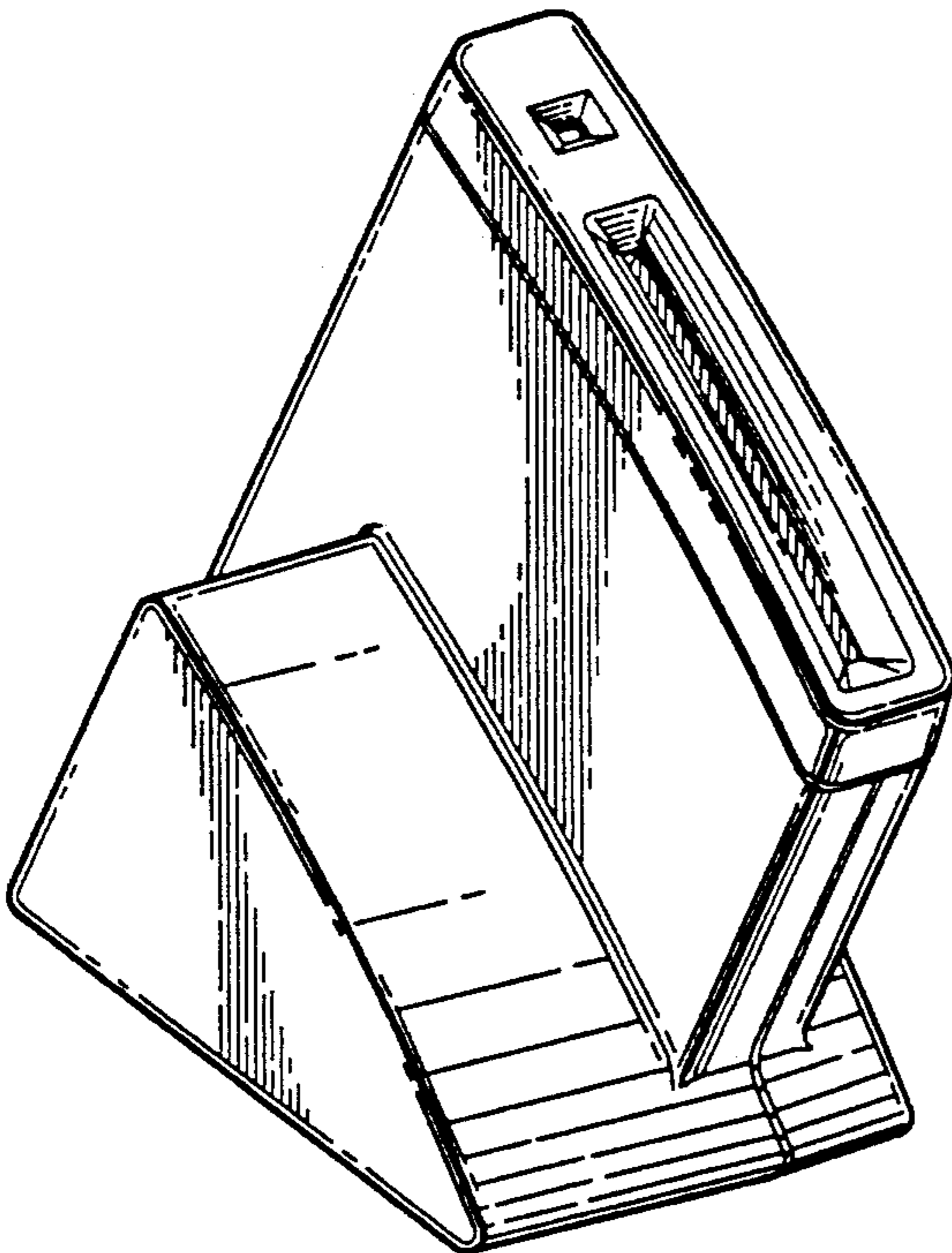
Primary Examiner—Wallace R. Burke
Assistant Examiner—Freda S. Nunn
Attorney, Agent, or Firm—Michael A. Morra

[57] CLAIM

The ornamental design for a smart card reader, as shown and described.

DESCRIPTION

FIG. 1 is a top front and left side perspective view of a smart card reader showing our new design;
 FIG. 2 is a top plan view thereof;
 FIG. 3 is a left side elevational view thereof;
 FIG. 4 is a right side elevational view thereof;
 FIG. 5 is a front elevational view thereof;
 FIG. 6 is a rear elevational view thereof;
 FIG. 7 is a bottom plan view thereof;
 FIG. 8 is a top, front and left side perspective view of a second embodiment of the smart card reader;
 FIG. 9 is a top plan view thereof the bottom plan view being identical with FIG. 7;
 FIG. 10 is a left side elevational view thereof;
 FIG. 11 is a right side elevational view thereof; and,
 FIG. 12 is a front elevational view thereof the rear elevational view being identical with FIG. 6.



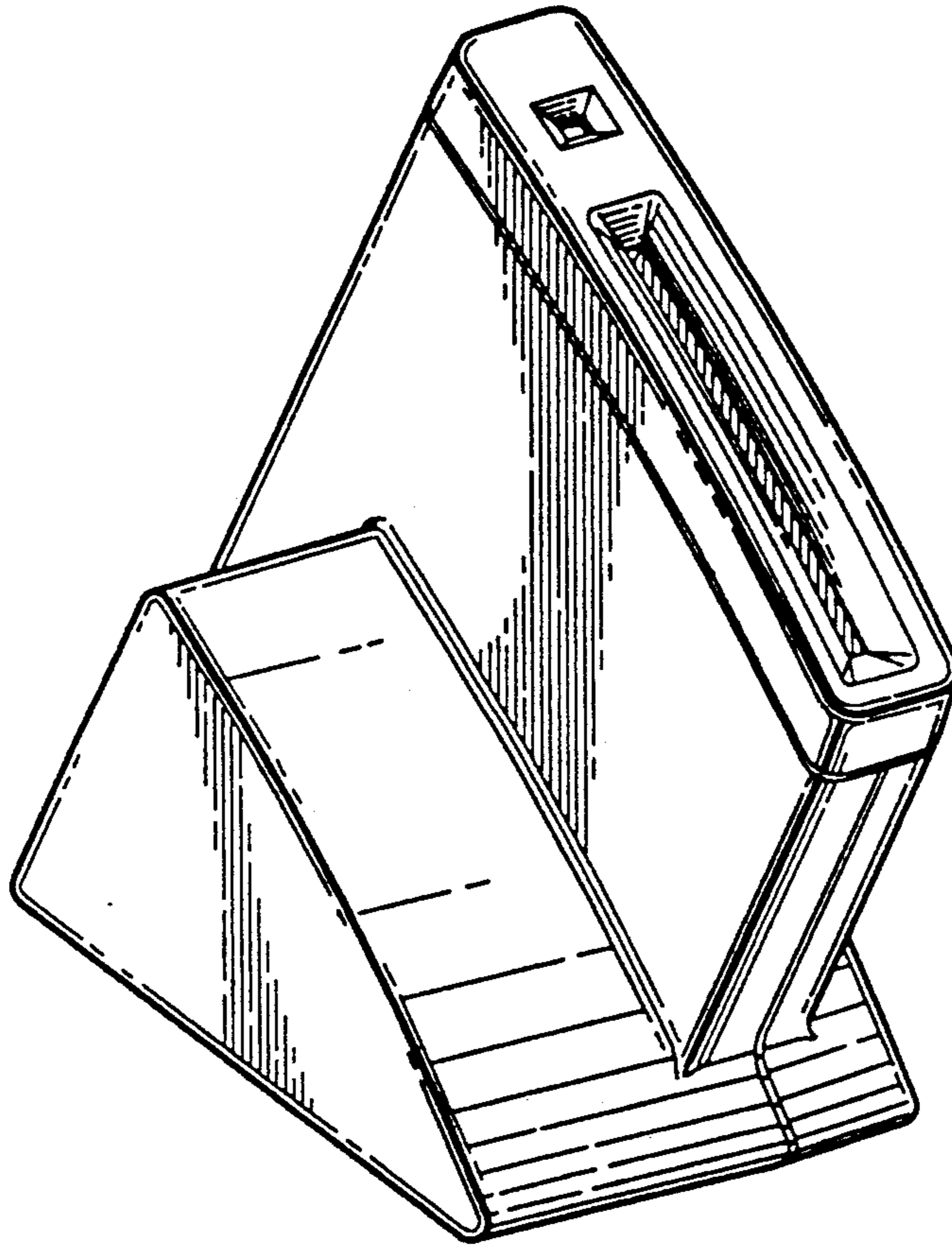


Fig. 1

Fig. 2

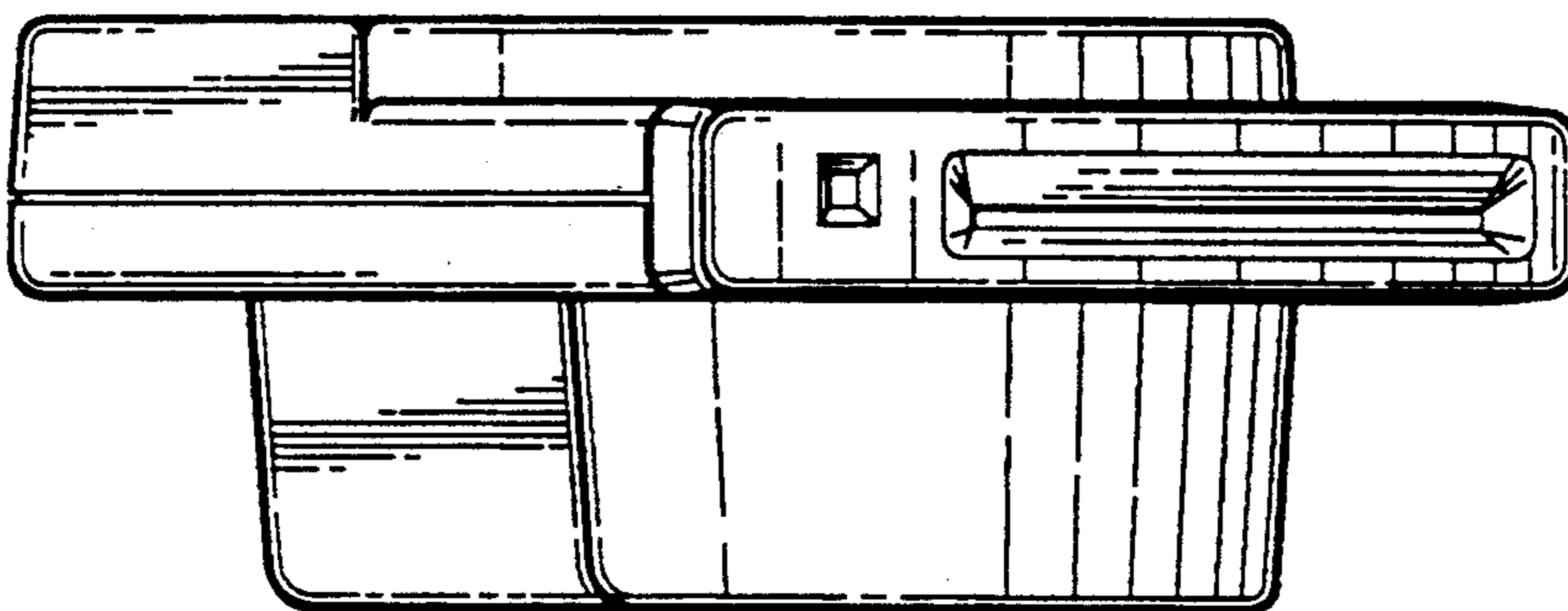


Fig. 3

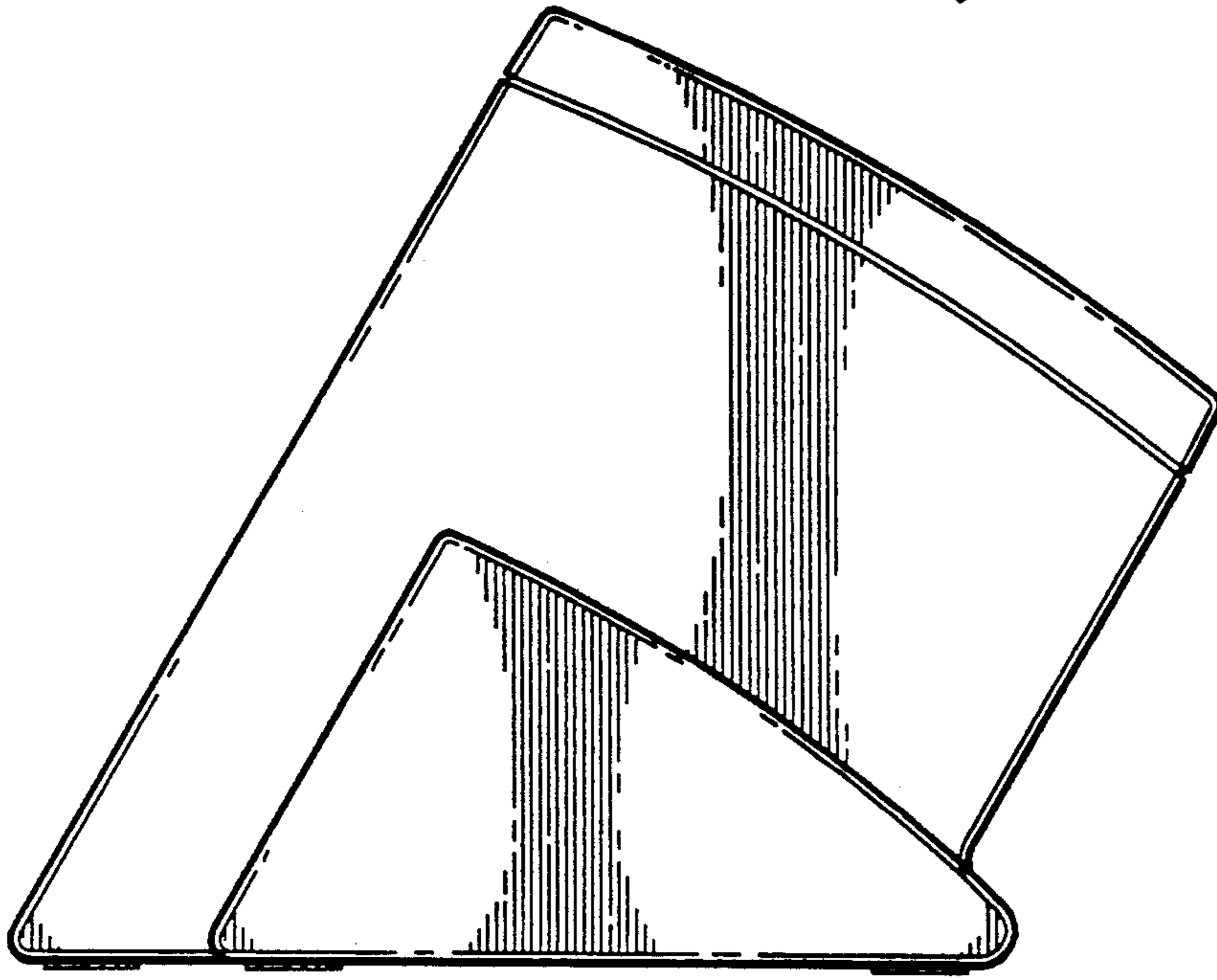


Fig. 4

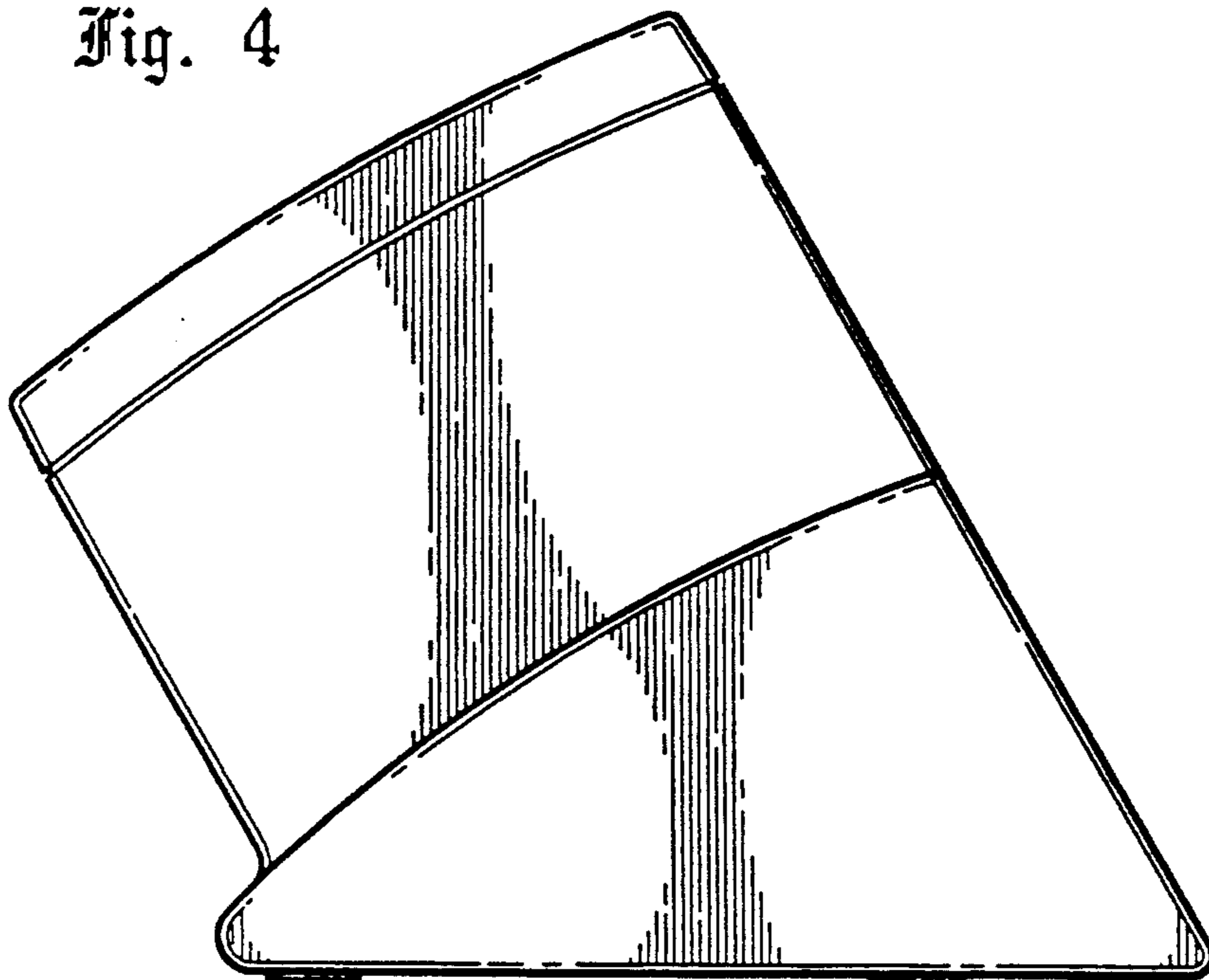


Fig. 5

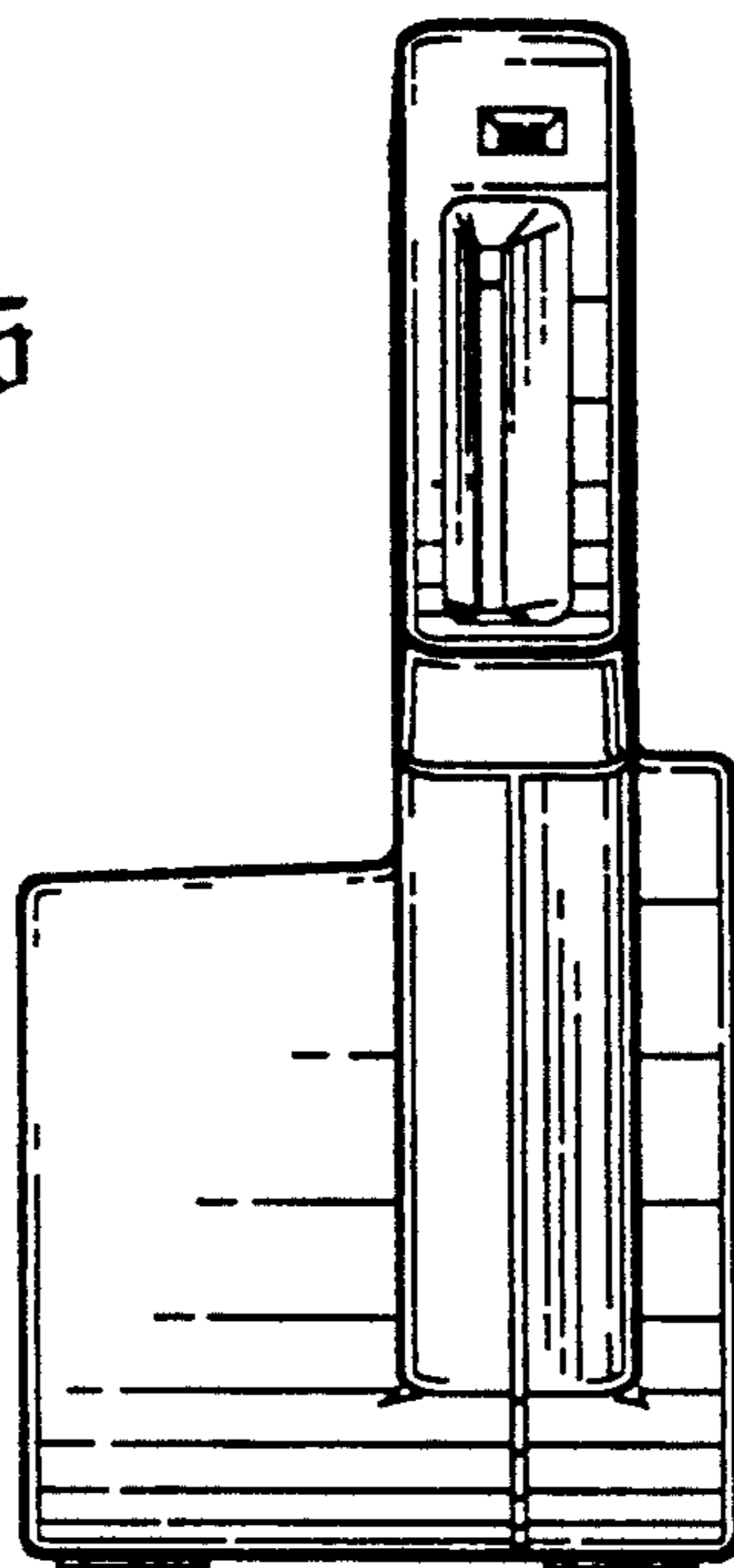


Fig. 6

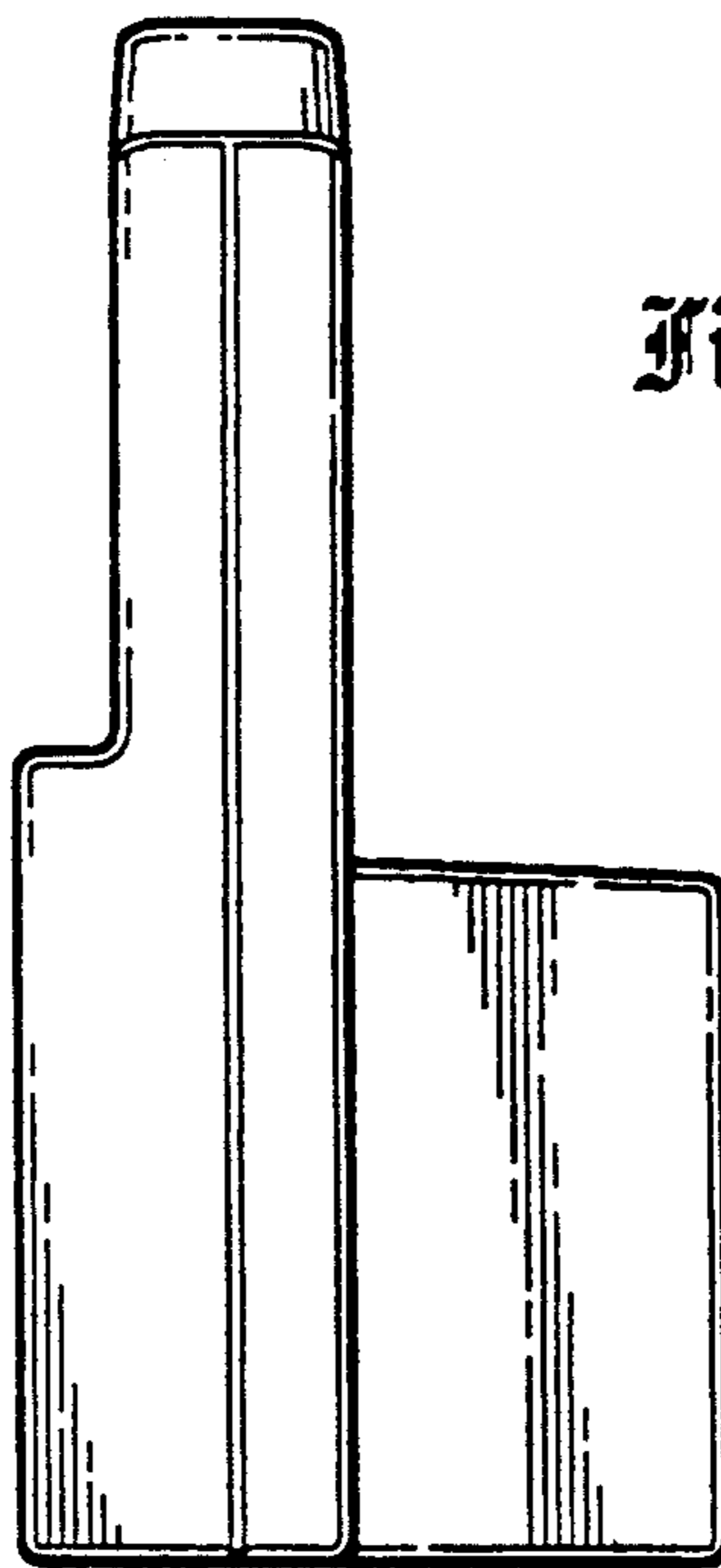
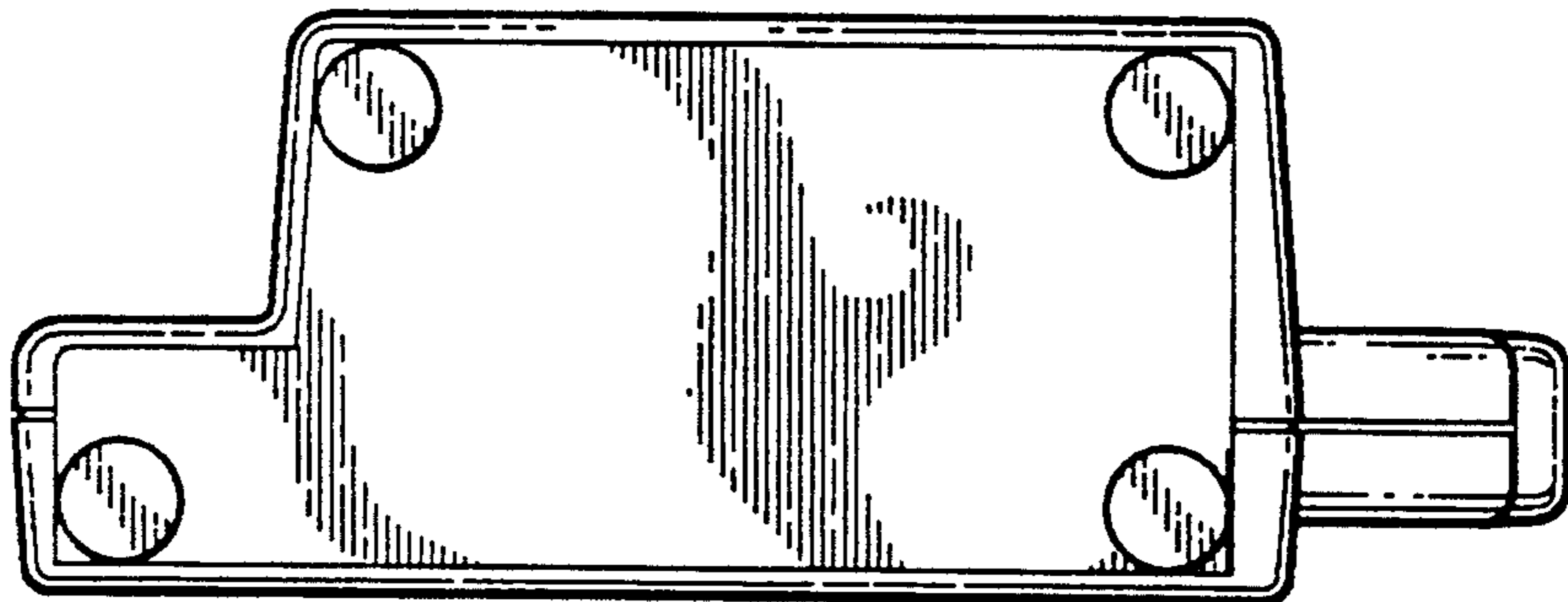


Fig. 7



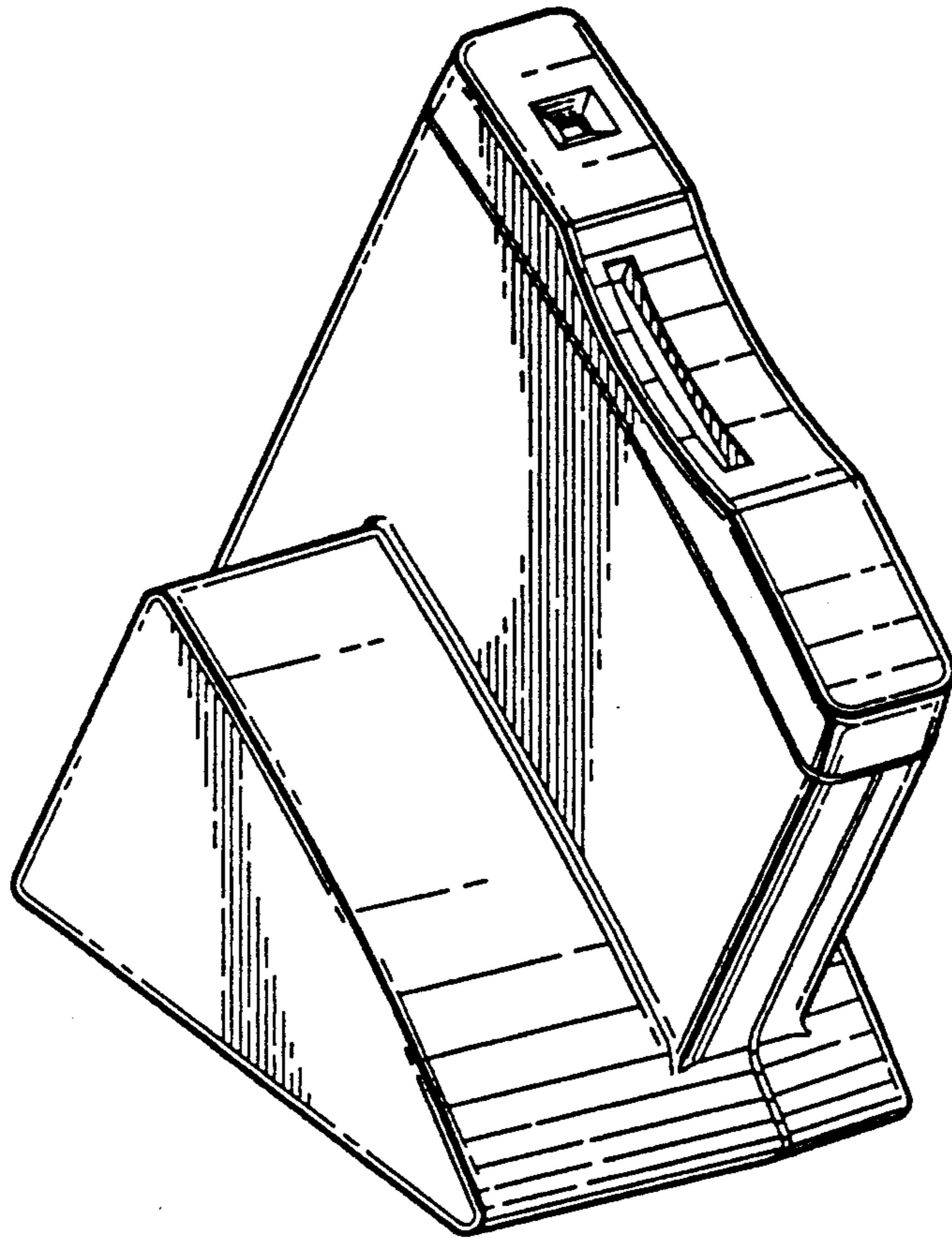


Fig. 8

Fig. 9

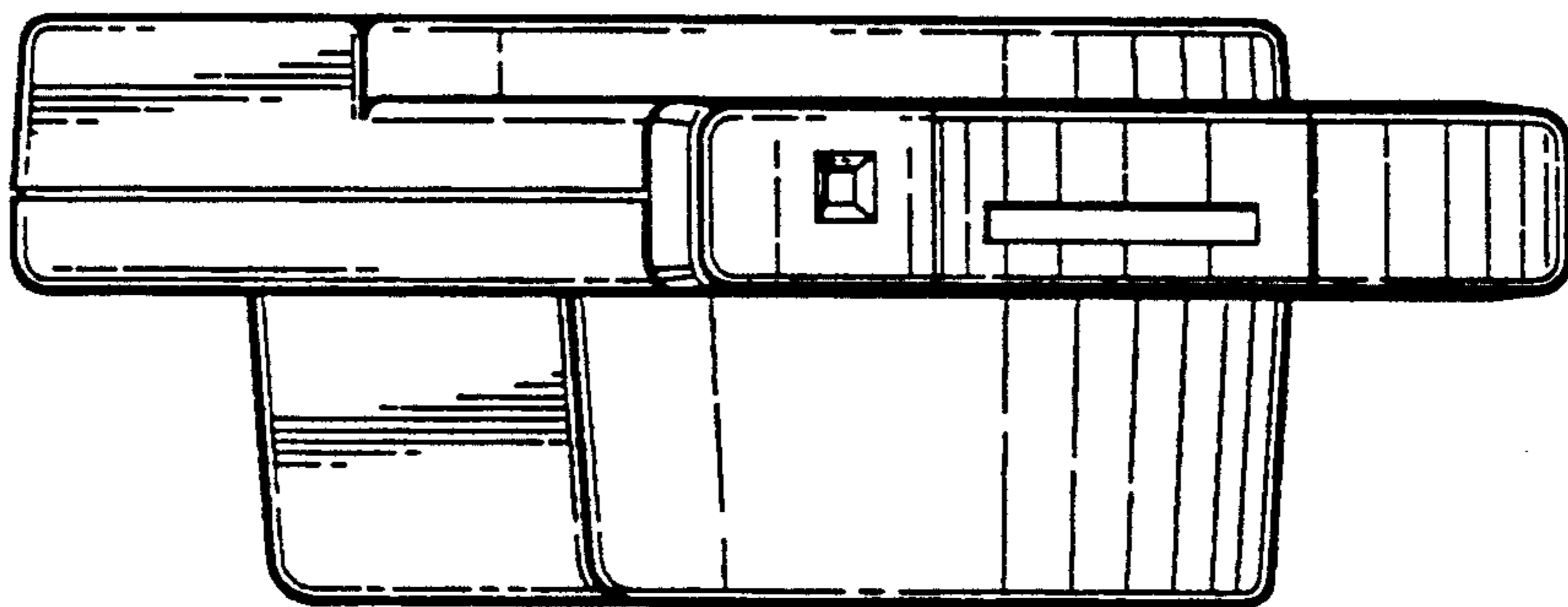


Fig. 10

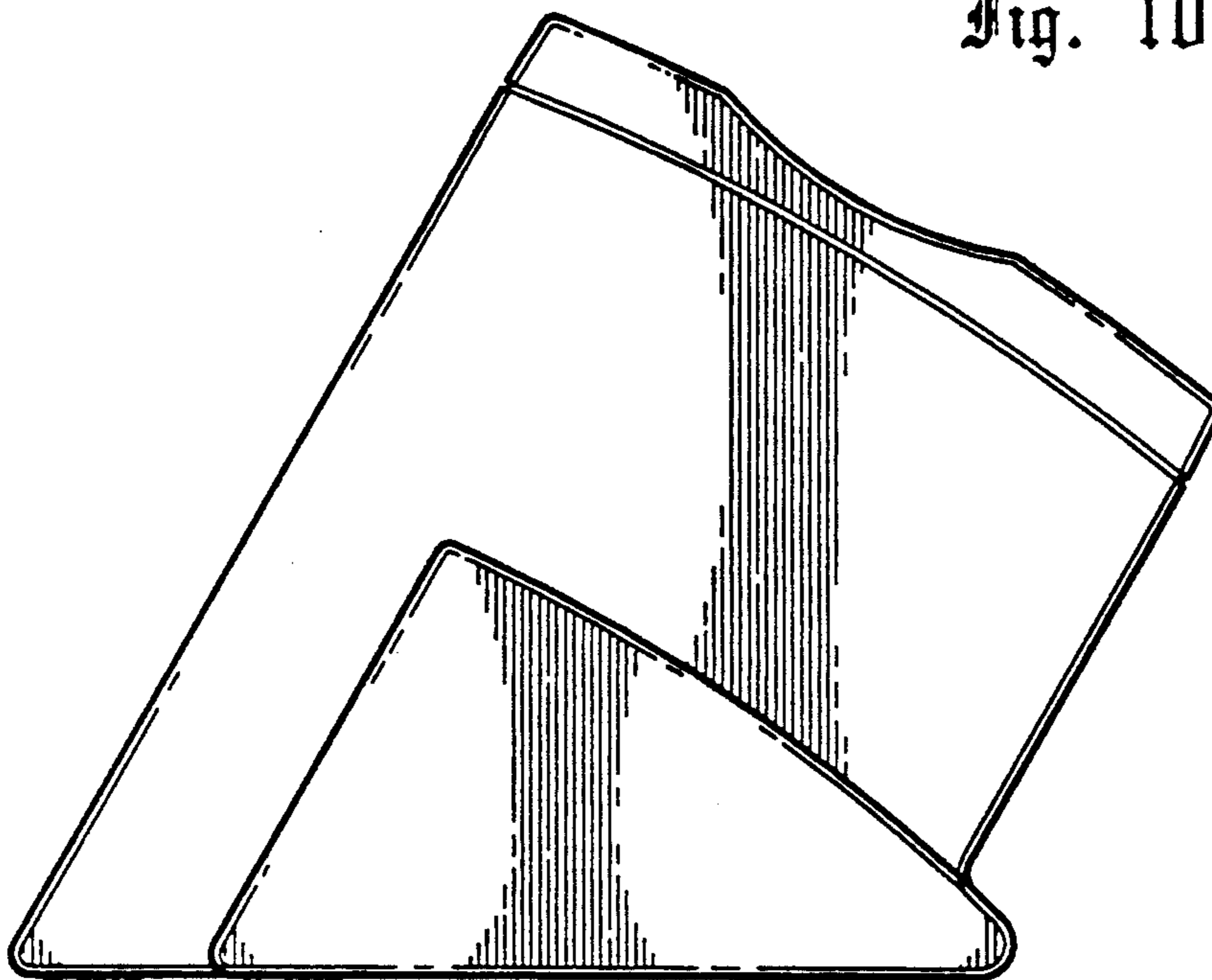


Fig. 11

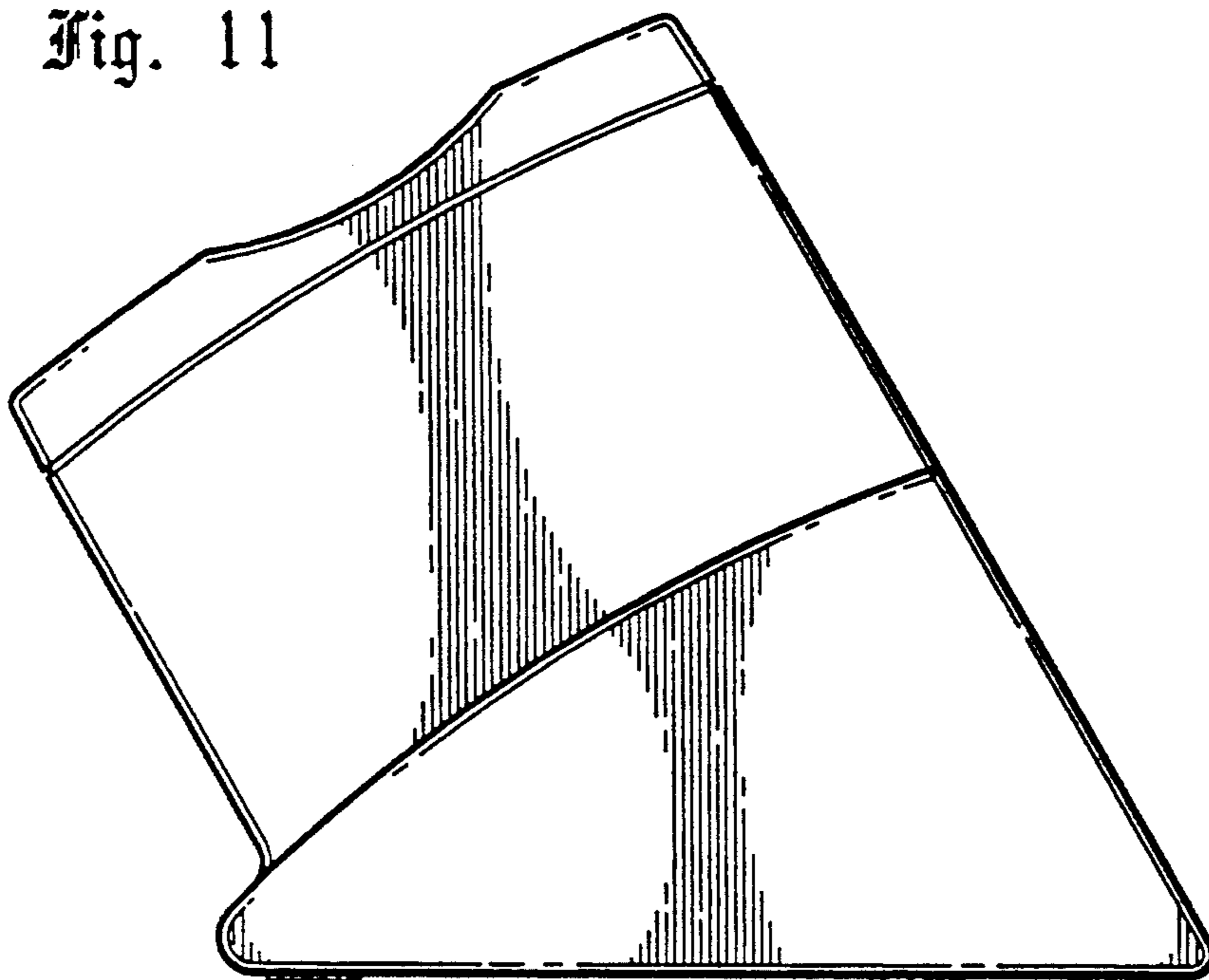


Fig. 12

