



US00D340027S

United States Patent [19]

[11] Patent Number: **Des. 340,027**

Tortola

[45] Date of Patent: **** Oct. 5, 1993**

[54] **PORTABLE, BATTERY-OPERATED, RECHARGEABLE, ELECTRICAL POWER SUPPLY PACK FOR A COMPUTER OR VIDEO GAME**

[75] Inventor: **Angelo Tortola, Lexington, Mass.**

[73] Assignee: **Curtis Manufacturing Company, Inc., Jaffrey, N.H.**

[**] Term: **14 Years**

[21] Appl. No.: **764,489**

[22] Filed: **Sep. 16, 1991**

[52] U.S. Cl. **D13/103; D13/110**

[58] Field of Search **D13/110, 123, 124, 184, D13/103; 361/386, 388, 392; 336/90, 92, 200; 363/15, 95; 307/150, 151**

[56] **References Cited**

U.S. PATENT DOCUMENTS

D. 206,513	9/1981	Comstock	D13/184
D. 246,709	12/1977	Pomper	D13/110
D. 278,463	4/1985	Vest	D13/110 X
D. 286,770	11/1986	Melcher	D13/184
D. 303,654	9/1989	Rauch	D13/110
4,453,624	9/1985	Rumble	D13/110 X
4,625,259	11/1986	Krechmer et al.	D13/110 X

OTHER PUBLICATIONS

S/100 plug in transformer on p. 150 of *Home Lighting and Accessories*, Sep. 1989.

Power supplies on p. 235 of *Hong Kong Enterprise*, Oct. 1989.

Primary Examiner—Wallace R. Burke
Assistant Examiner—Joel Sincavage
Attorney, Agent, or Firm—Richard P. Crowley

[57] **CLAIM**

The ornamental design for a portable, battery-operated, rechargeable, electrical power supply pack for a computer or video game, as shown and described.

DESCRIPTION

FIG. 1 is a front and lower left perspective view of a portable, battery-operated, rechargeable, electrical power supply pack for a computer or video game showing my new design;

FIG. 2 is a front and lower left perspective view thereof with the electrical power plug extended;

FIG. 3 is a front elevational view of the portable, battery-operated, rechargeable, electrical power supply pack for a computer or video game shown on a reduced scale;

FIG. 4 is a rear elevational view thereof;

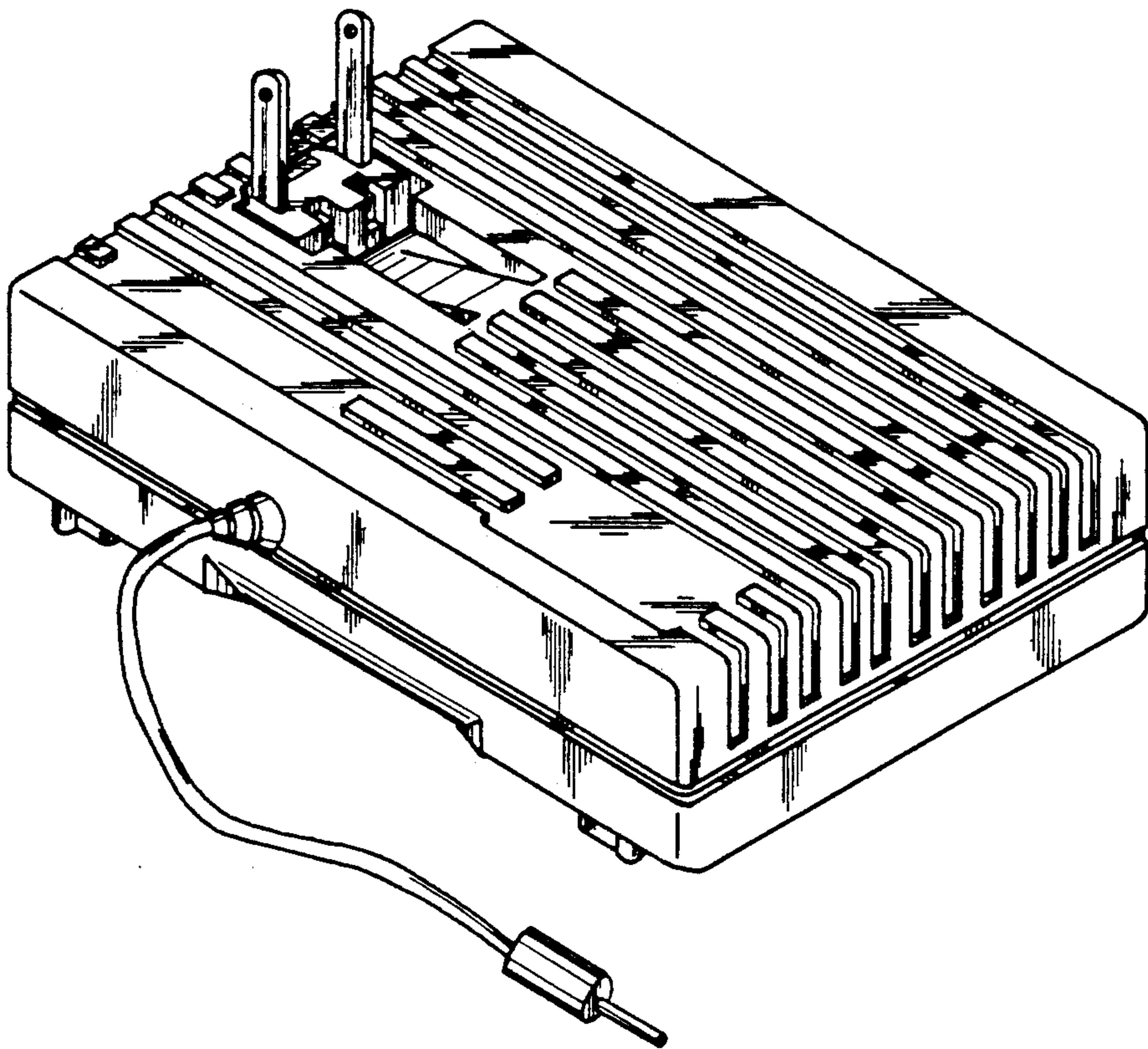
FIG. 5 is a top plan view thereof;

FIG. 6 is a bottom plan view thereof;

FIG. 7 is a right side elevational view thereof with the connecting cable omitted for clarity of illustration;

FIG. 8 is a left side elevational view thereof with the connecting cable omitted for clarity of illustration; and,

FIG. 9 is a rear and upper left perspective view thereof.



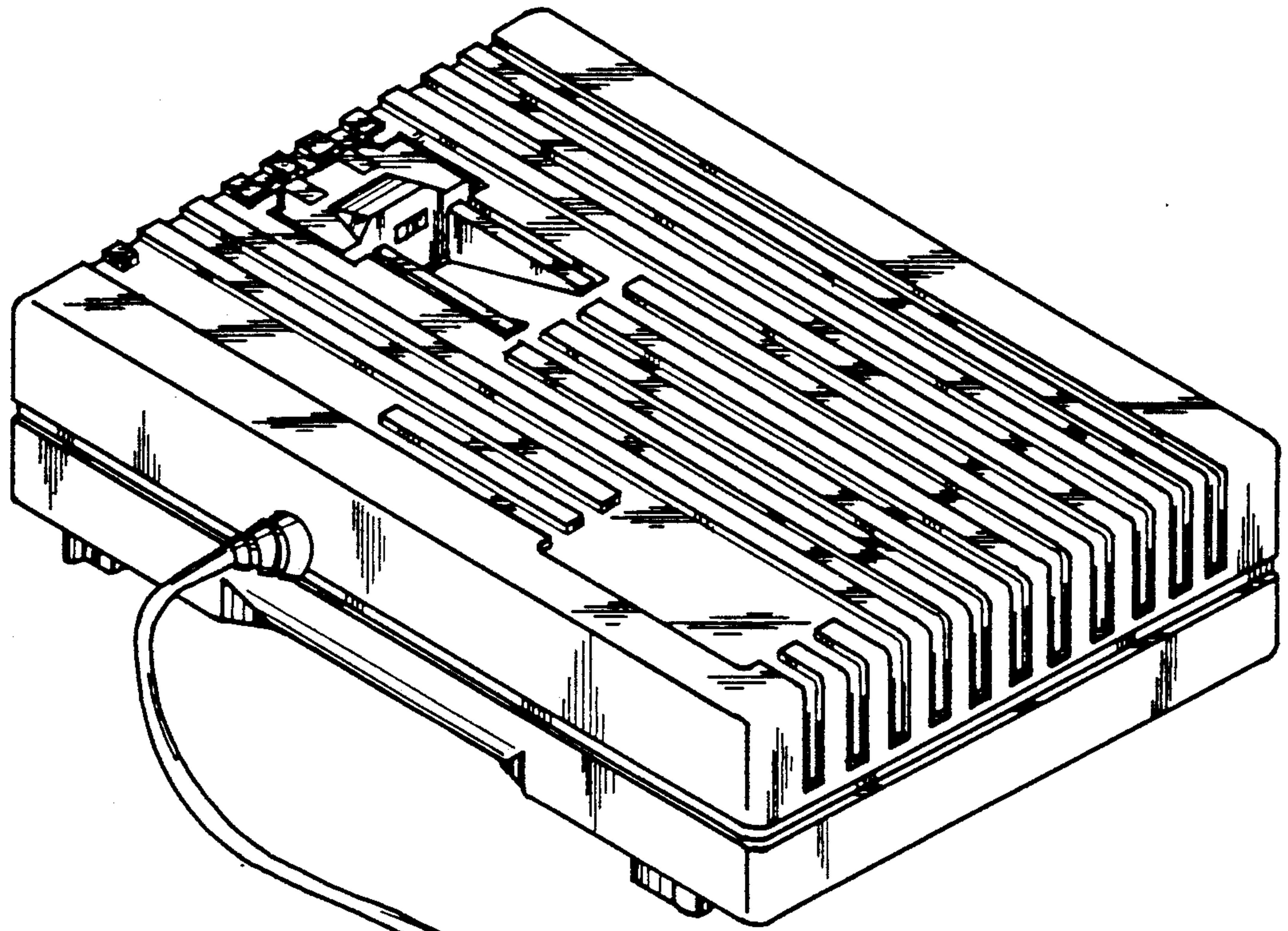


FIG. 1

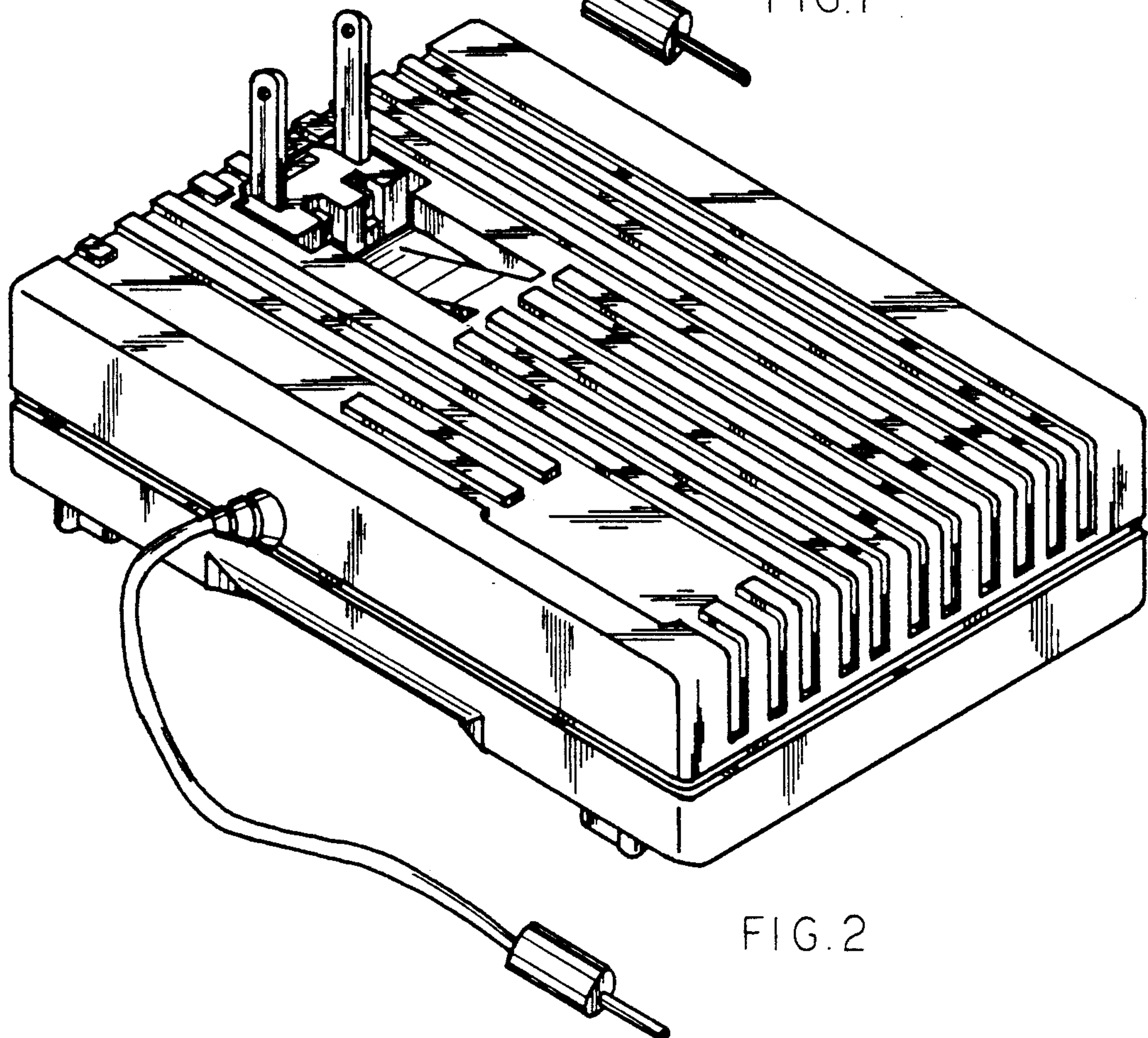
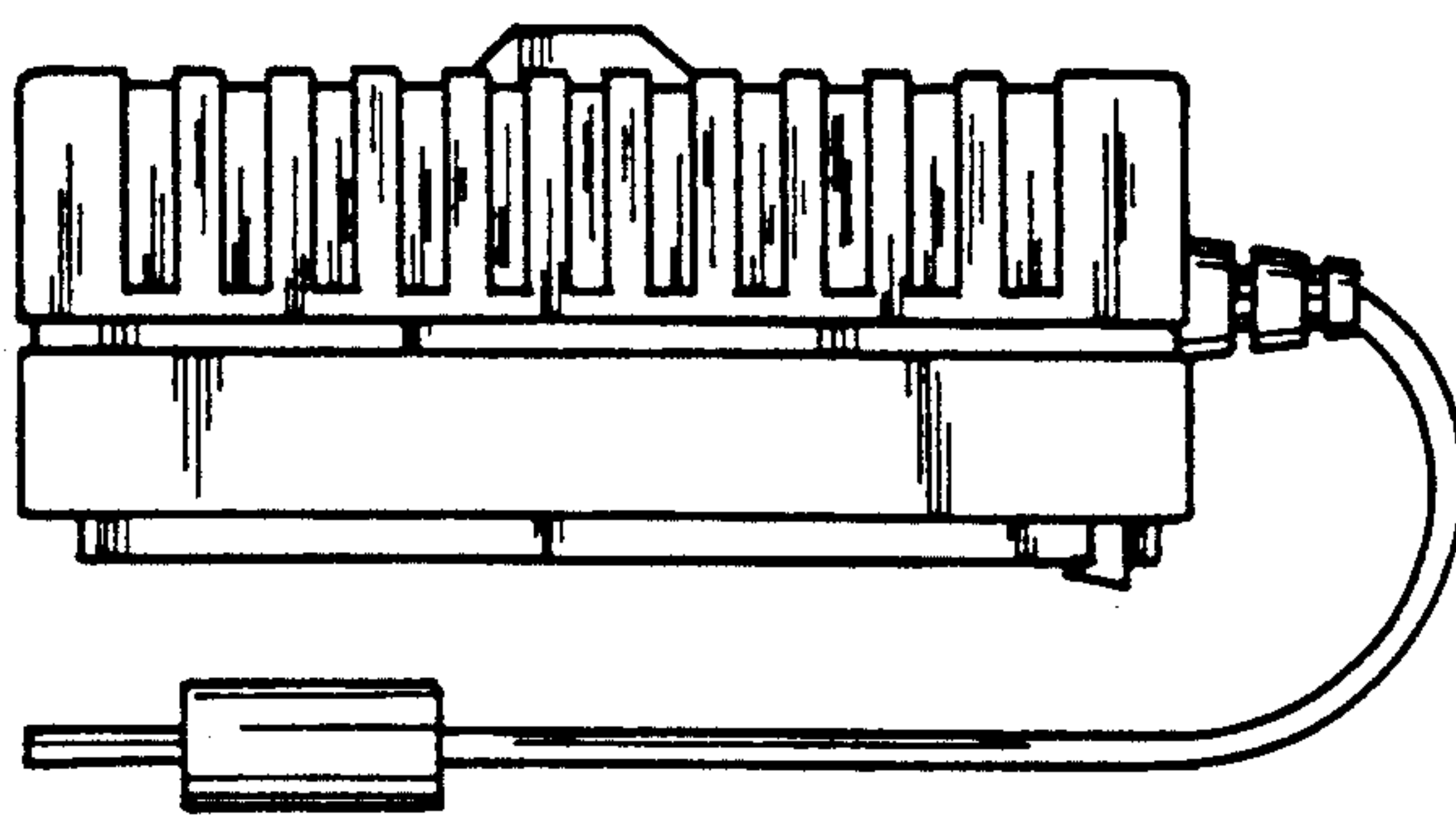
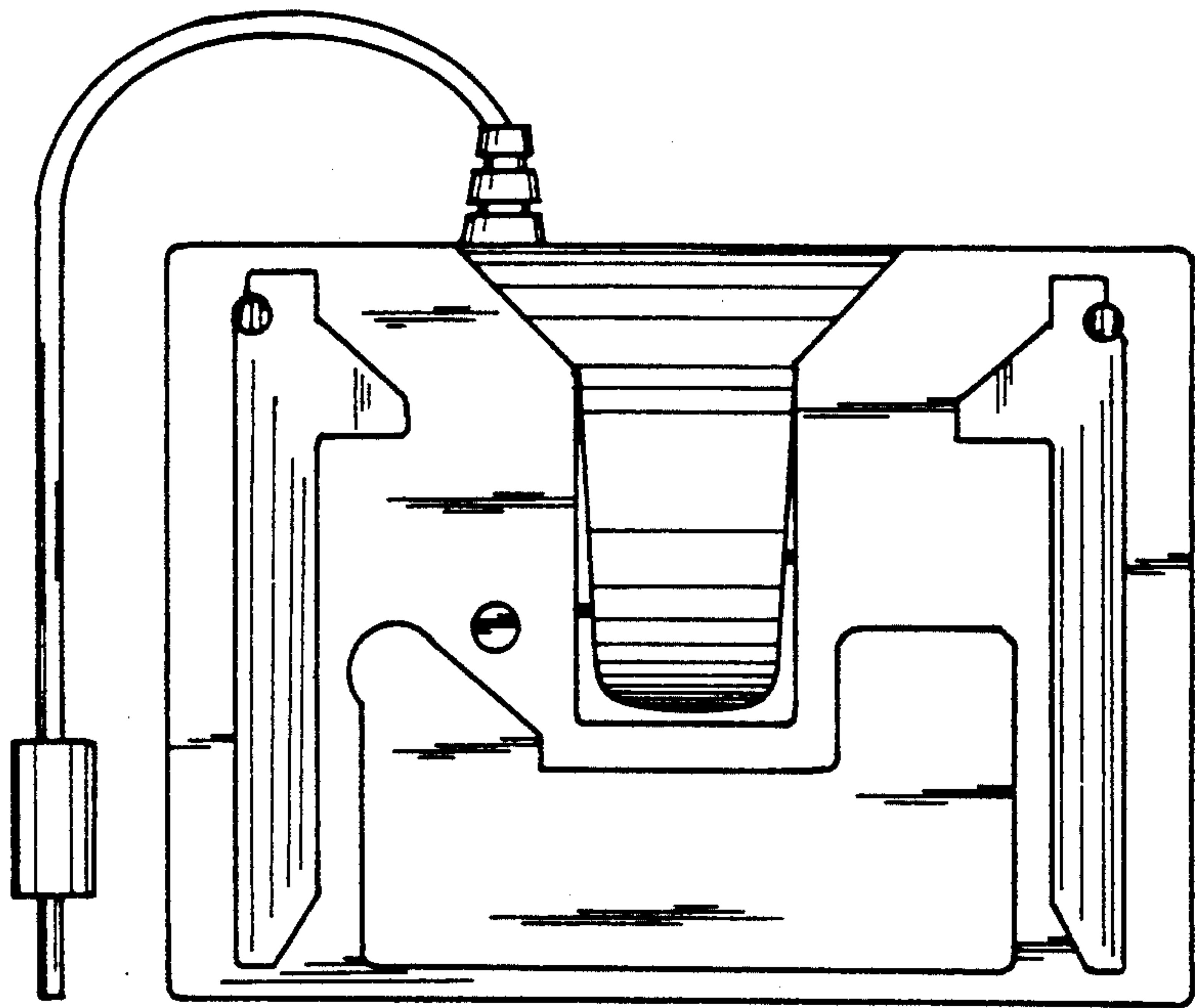
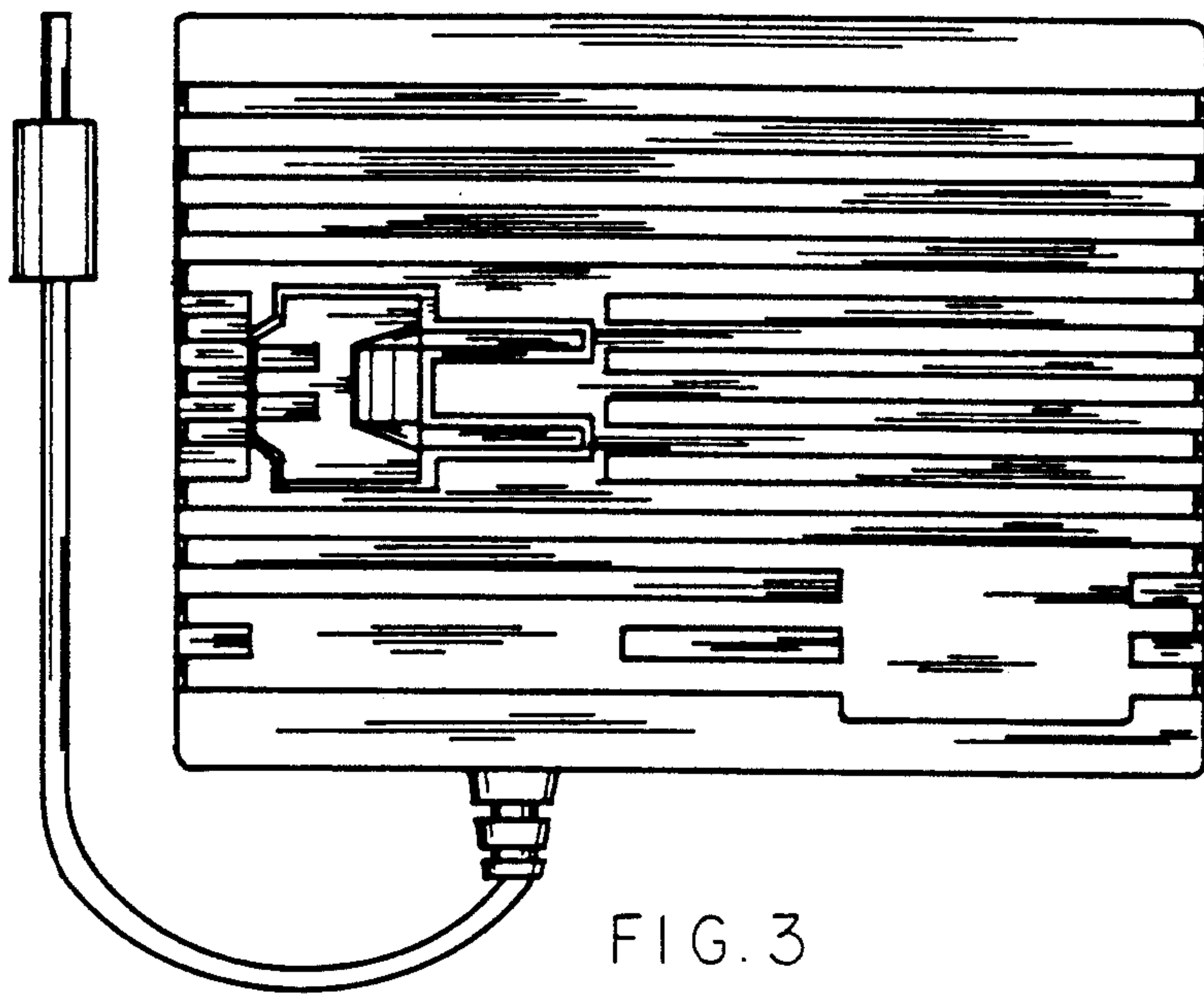


FIG. 2



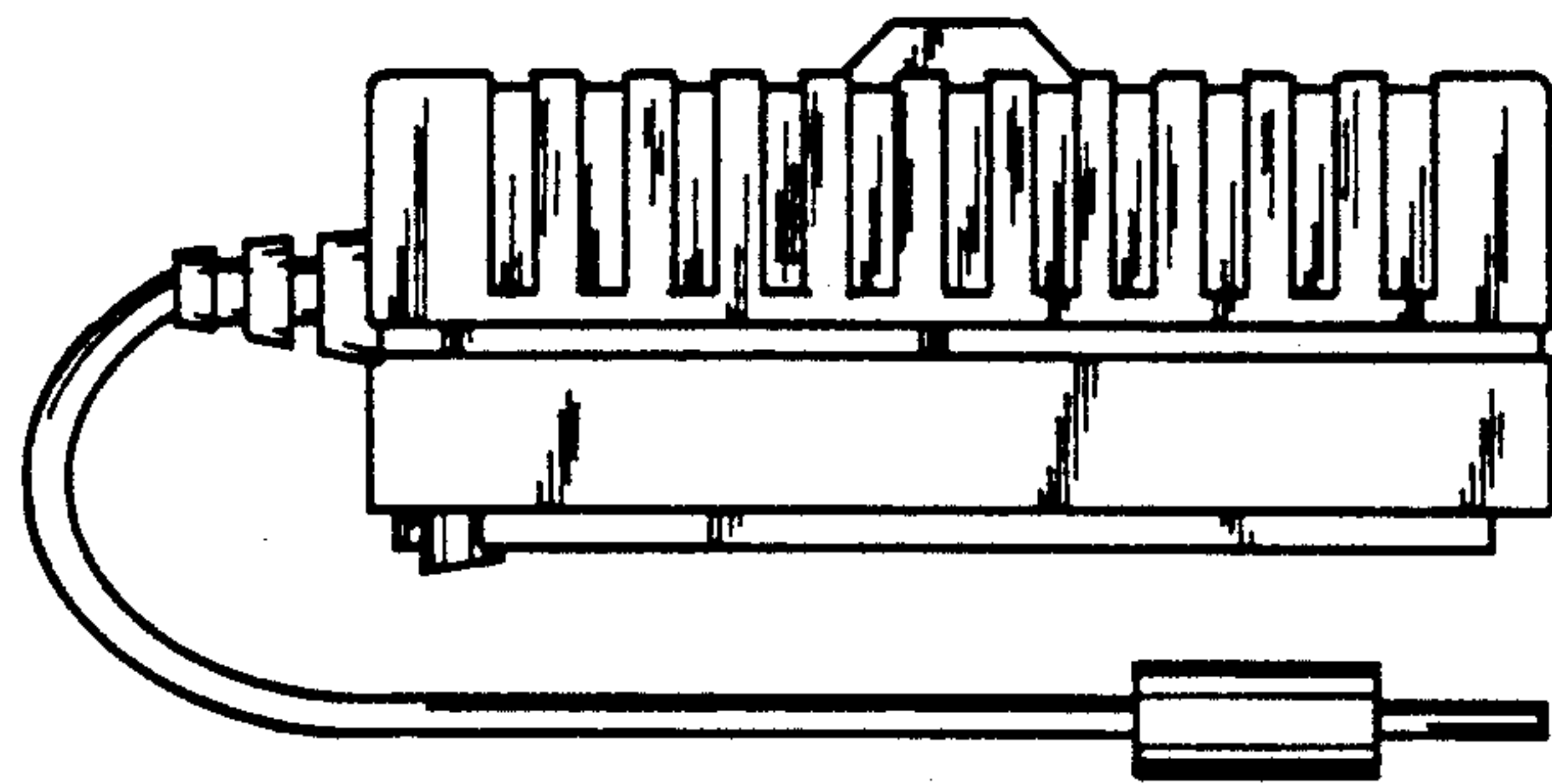


FIG. 6

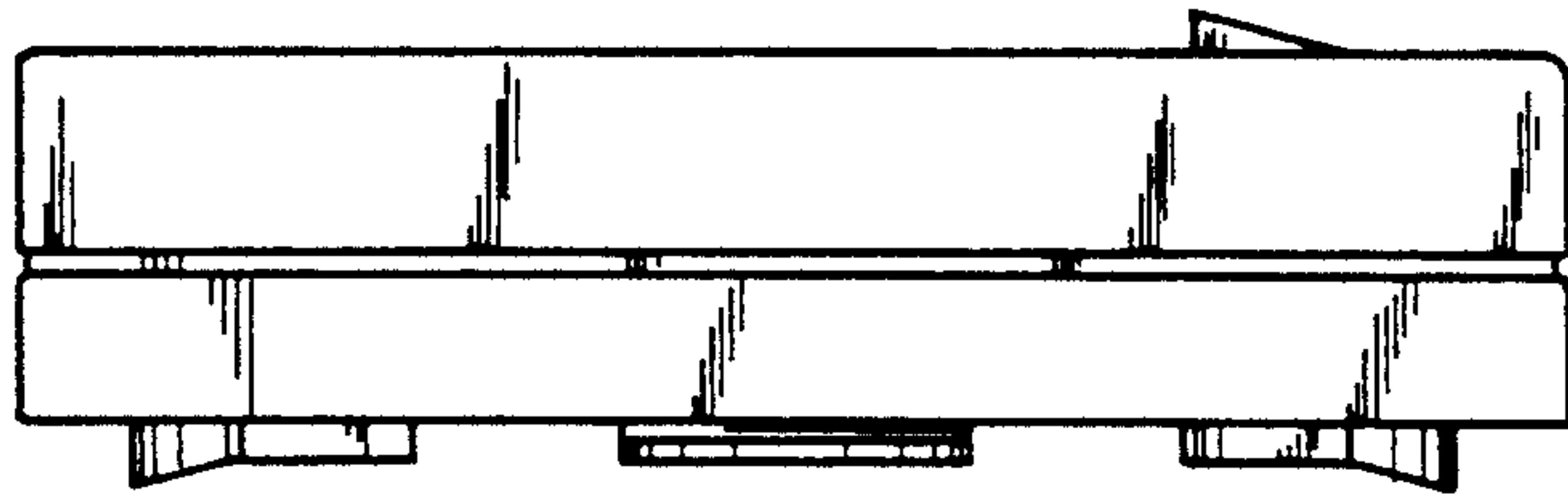


FIG. 7

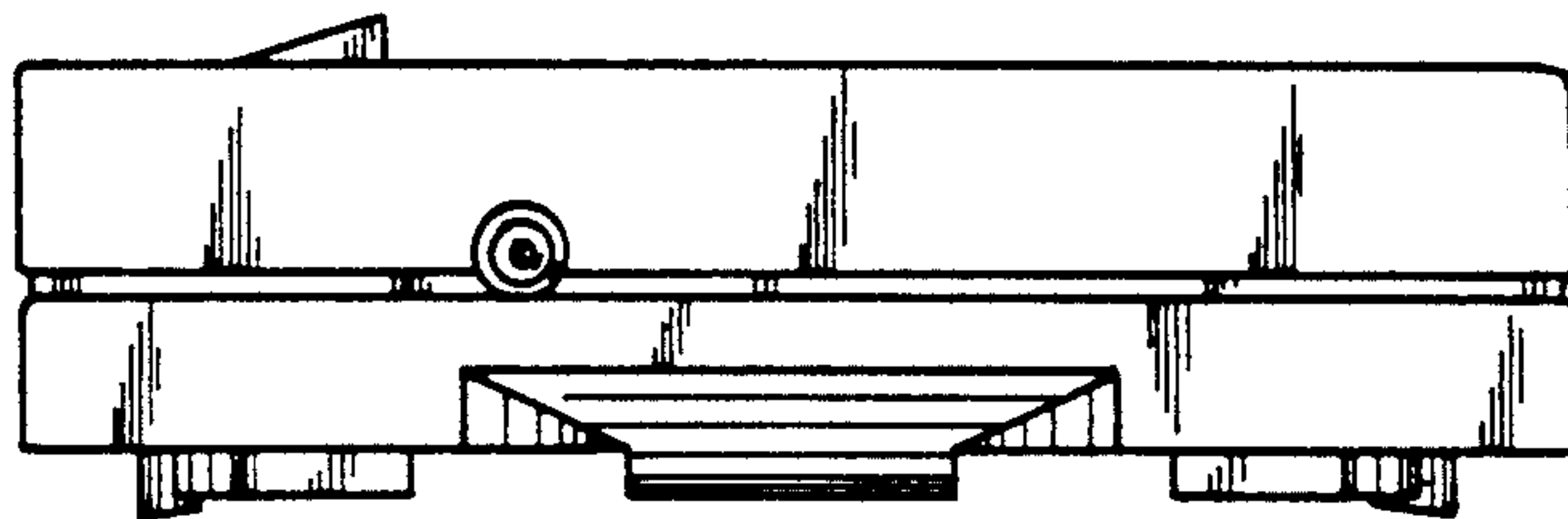


FIG. 8

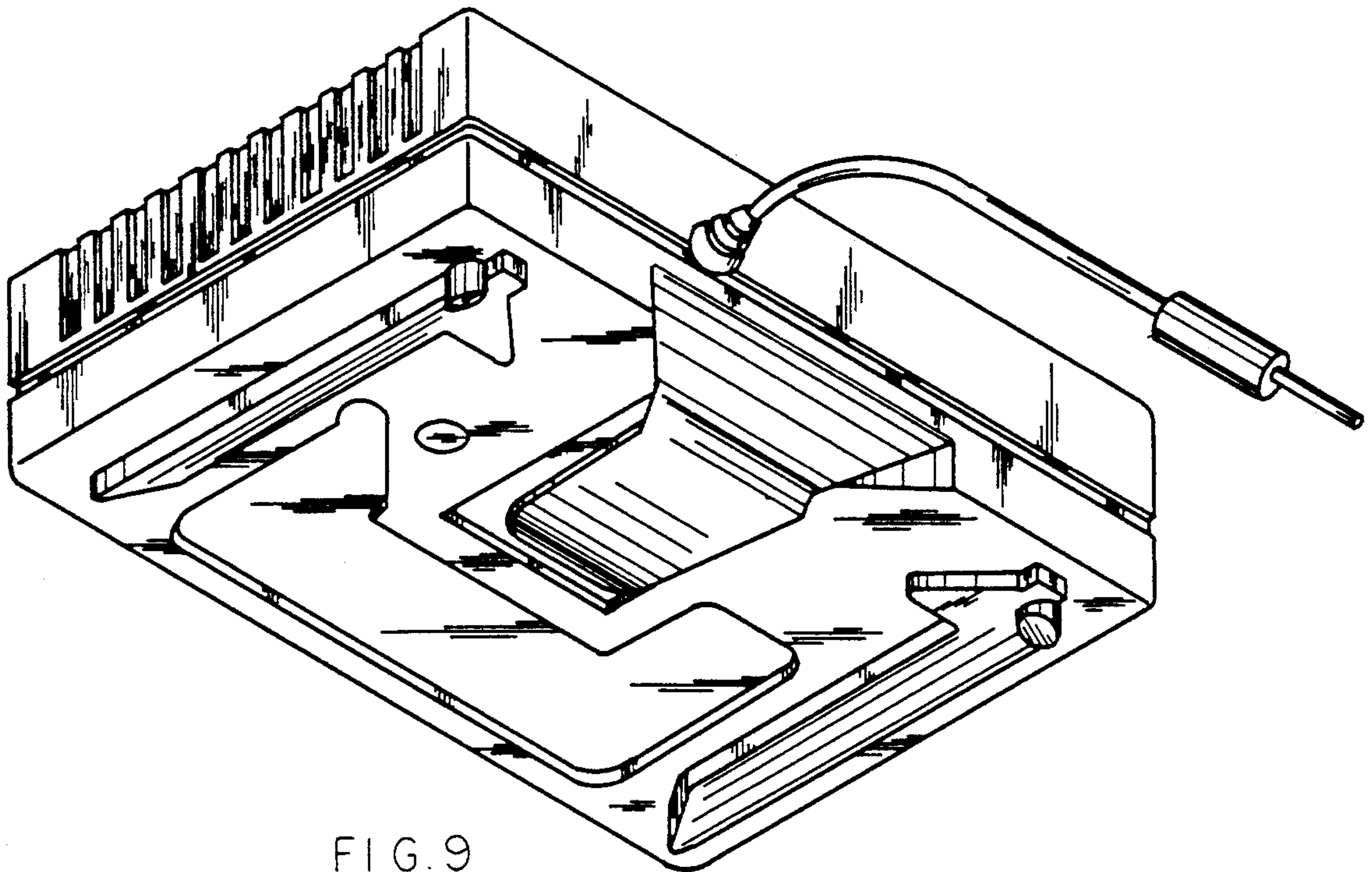


FIG. 9