



US00D340026S

# United States Patent [19]

[11] Patent Number: **Des. 340,026**

Slagel

[45] Date of Patent: **\*\* Oct. 5, 1993**

## [54] LIGHTNING SURGE PROTECTOR FOR SATELLITE SIGNAL-RECEIVING SYSTEMS

[75] Inventor: Steve R. Slagel, Swannanoa, N.C.

[73] Assignee: Universal R & D, Inc., Swannanoa, N.C.

[\*\*] Term: 14 Years

[21] Appl. No.: 770,976

[22] Filed: Oct. 1, 1991

[52] U.S. Cl. .... D13/142

[58] Field of Search ..... D13/142, 160, 178; D10/75, 106; 361/56, 57, 117, 118, 119; 340/652, 653; 337/28, 187

### [56] References Cited

#### U.S. PATENT DOCUMENTS

D. 251,370	3/1979	Katzmann et al. ....	D10/75 X
D. 281,401	11/1985	Perrins .....	D10/106 X
D. 284,758	7/1986	Maloney .....	D13/142
D. 284,852	7/1986	Maloney .....	D13/142
D. 285,788	9/1986	Rapp et al. ....	D13/142
D. 305,641	1/1990	De Luca .....	D13/142
D. 306,012	2/1990	Oesterheld et al. ....	D13/142 X

### OTHER PUBLICATIONS

Line conditioners on p. 482 of 1982 *Sager Electrical Supply Co.* catalog.

Equipment housings on p. 67 of *Allied Electronics* catalog, copyright 1990.

Primary Examiner—Wallace R. Burke

Assistant Examiner—Joel Sincavage

Attorney, Agent, or Firm—Shefte, Pinckney & Sawyer

### [57] CLAIM

The ornamental design for a lightning surge protector for satellite signal-receiving systems, as shown and described.

### DESCRIPTION

FIG. 1 is a front and upper right perspective view of a lightning surge protector for satellite signal-receiving systems shown in my new design;

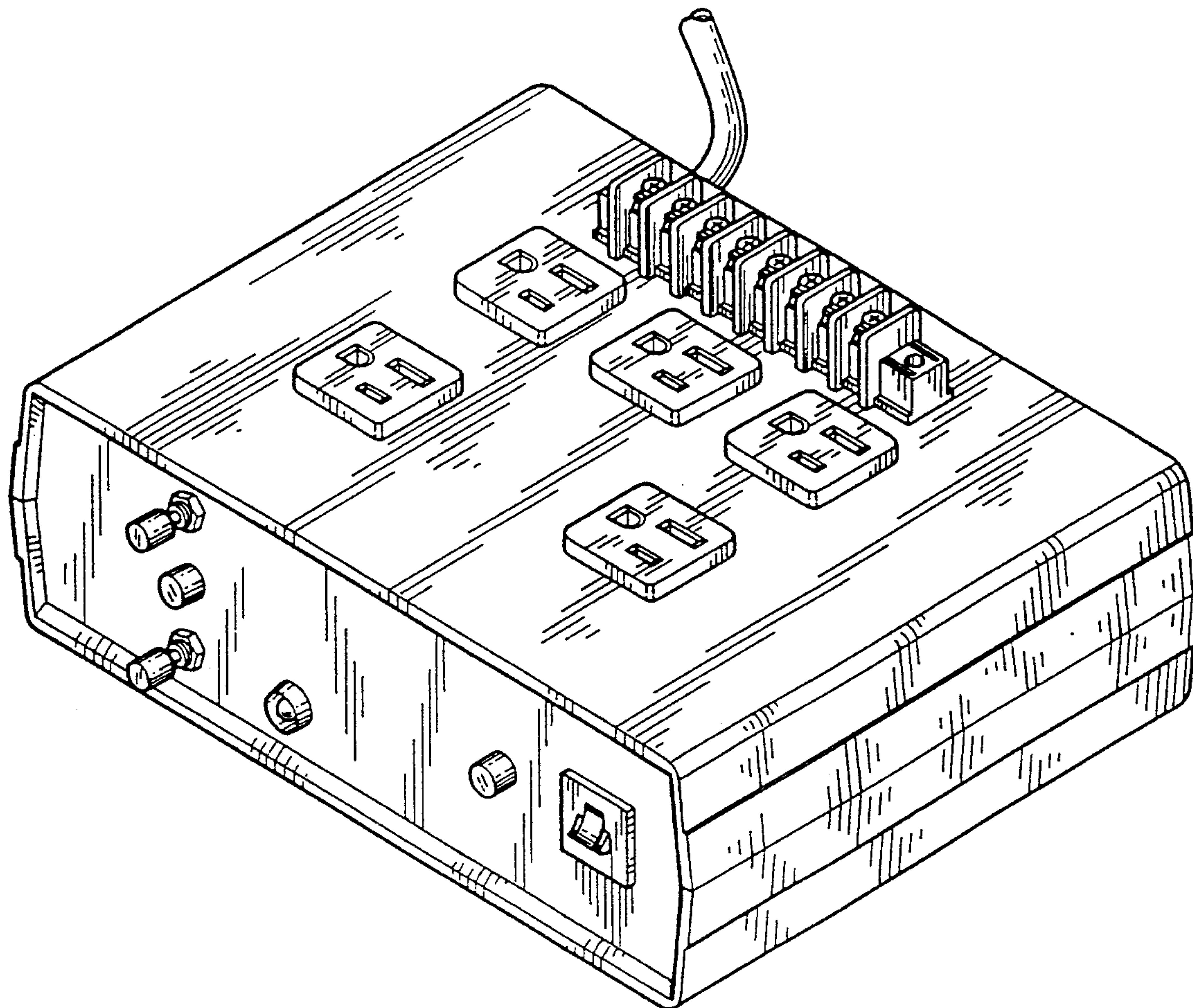
FIG. 2 is a top plan view thereof;

FIG. 3 is a front elevational view thereof;

FIG. 4 is a left side elevational view thereof; and,

FIG. 5 is a rear elevational view thereof.

The broken lines showing in FIGS. 3, 4, and 5 are included for the purpose of illustrating environmental elements only and forms no part of the claimed design.



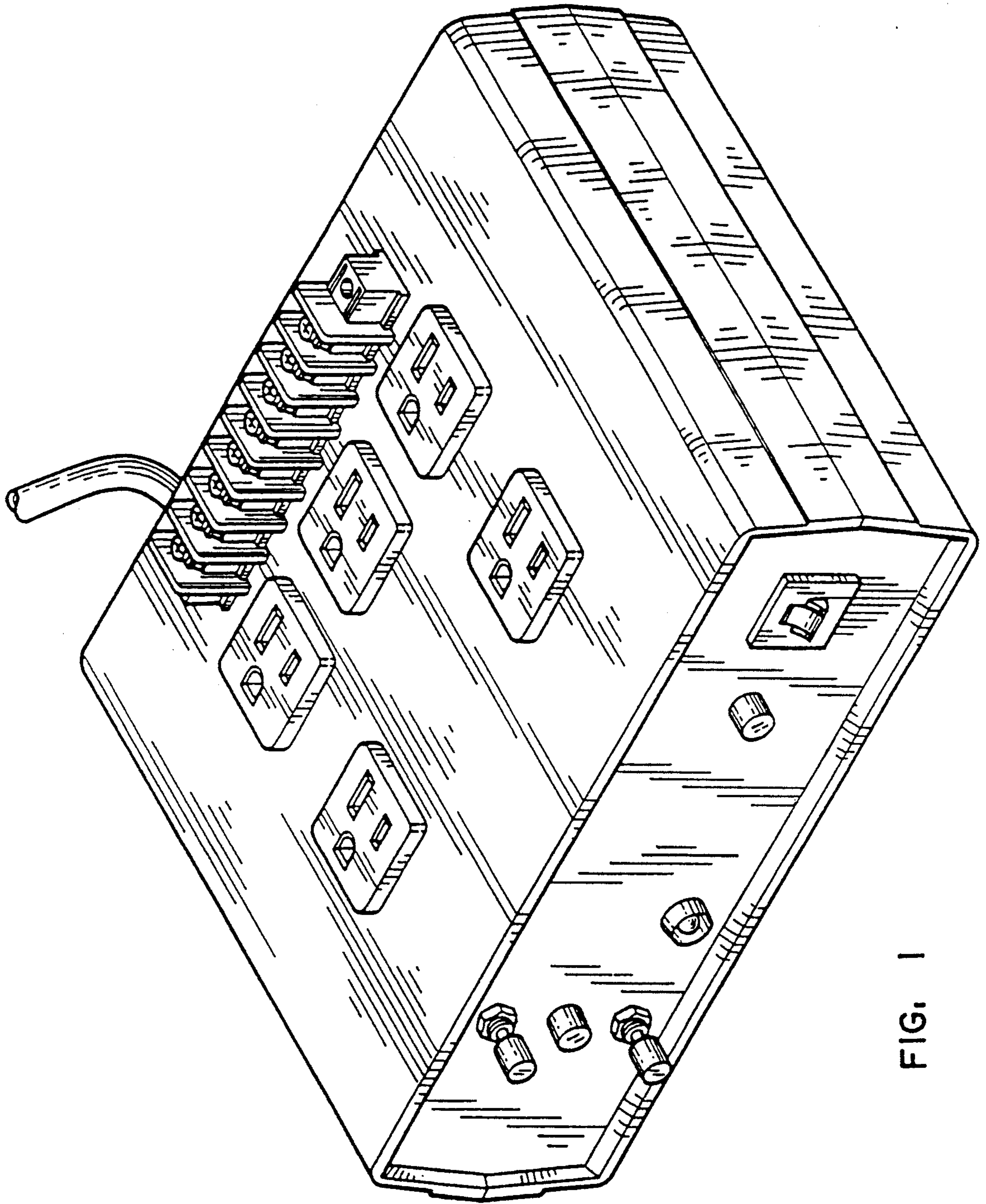


FIG. 1



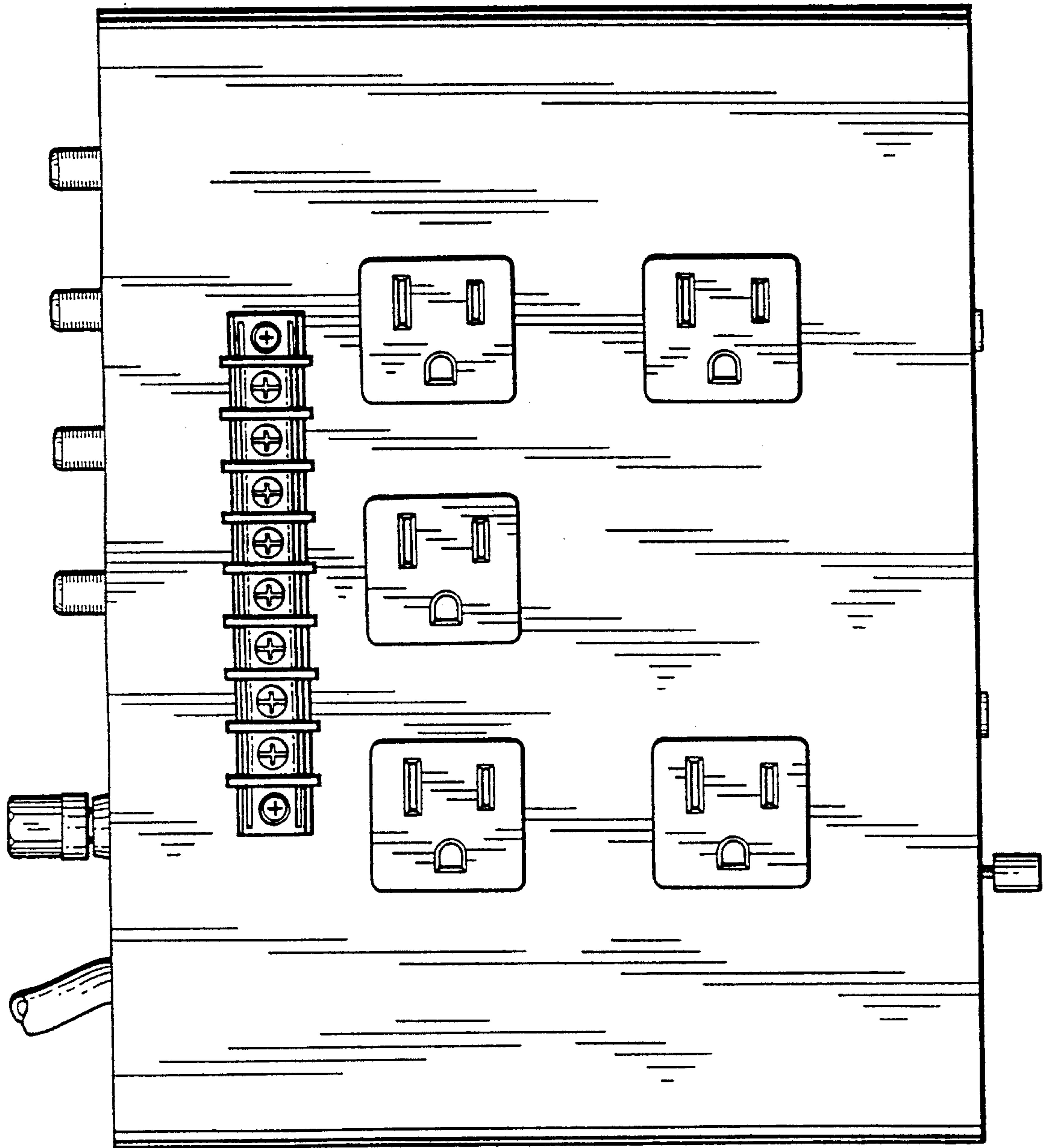


FIG. 2

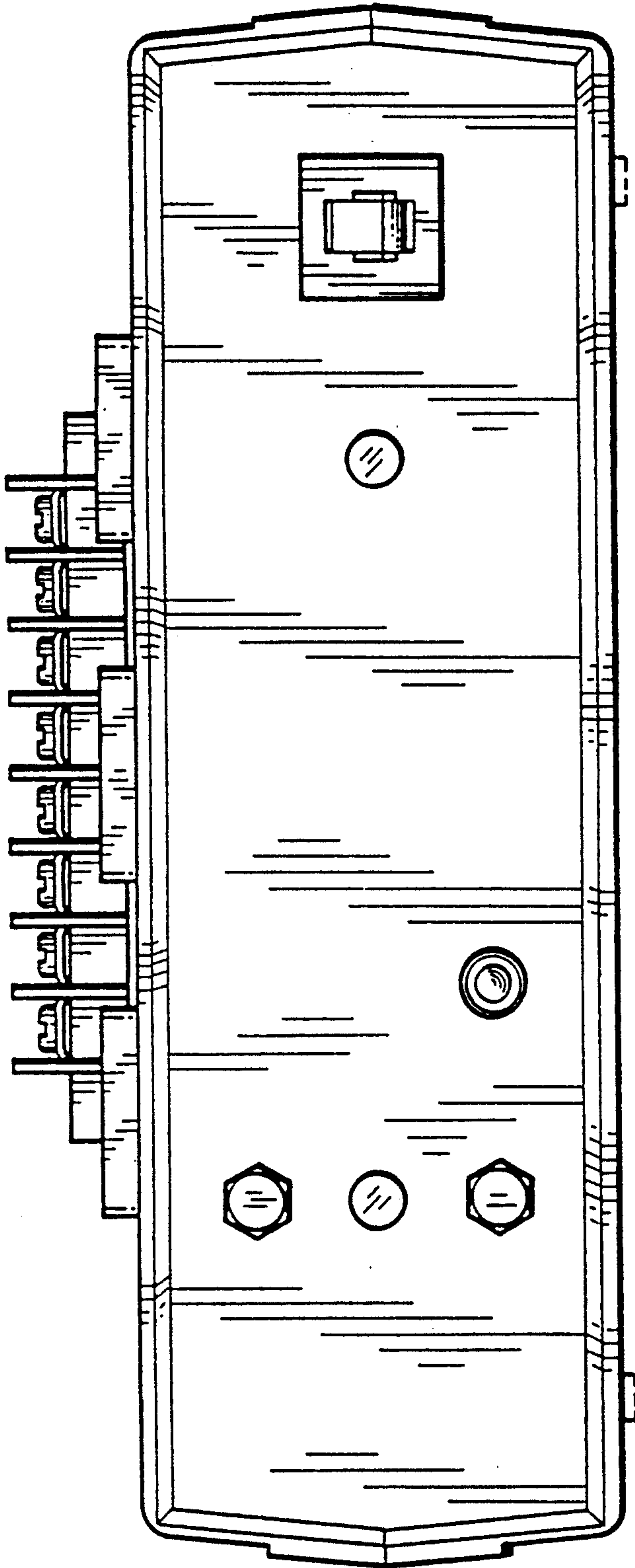


FIG. 3

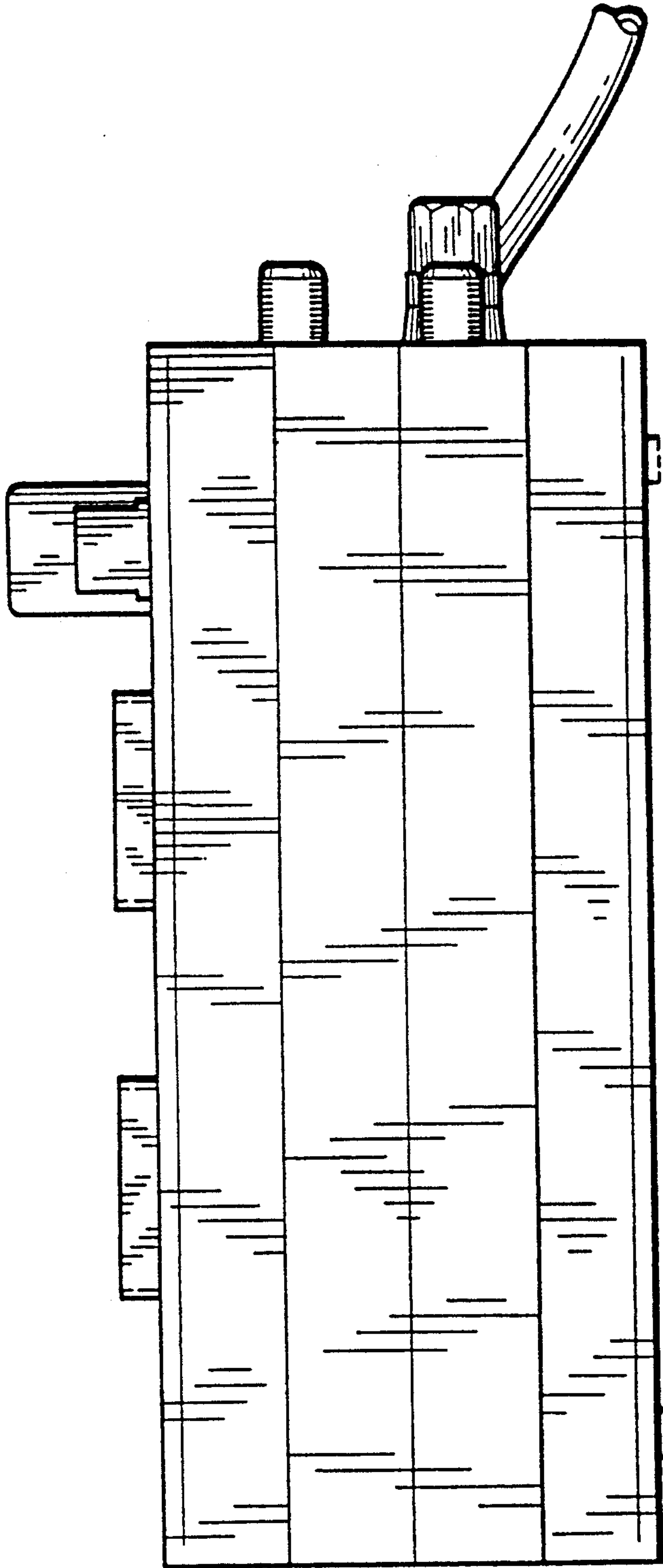


FIG. 4

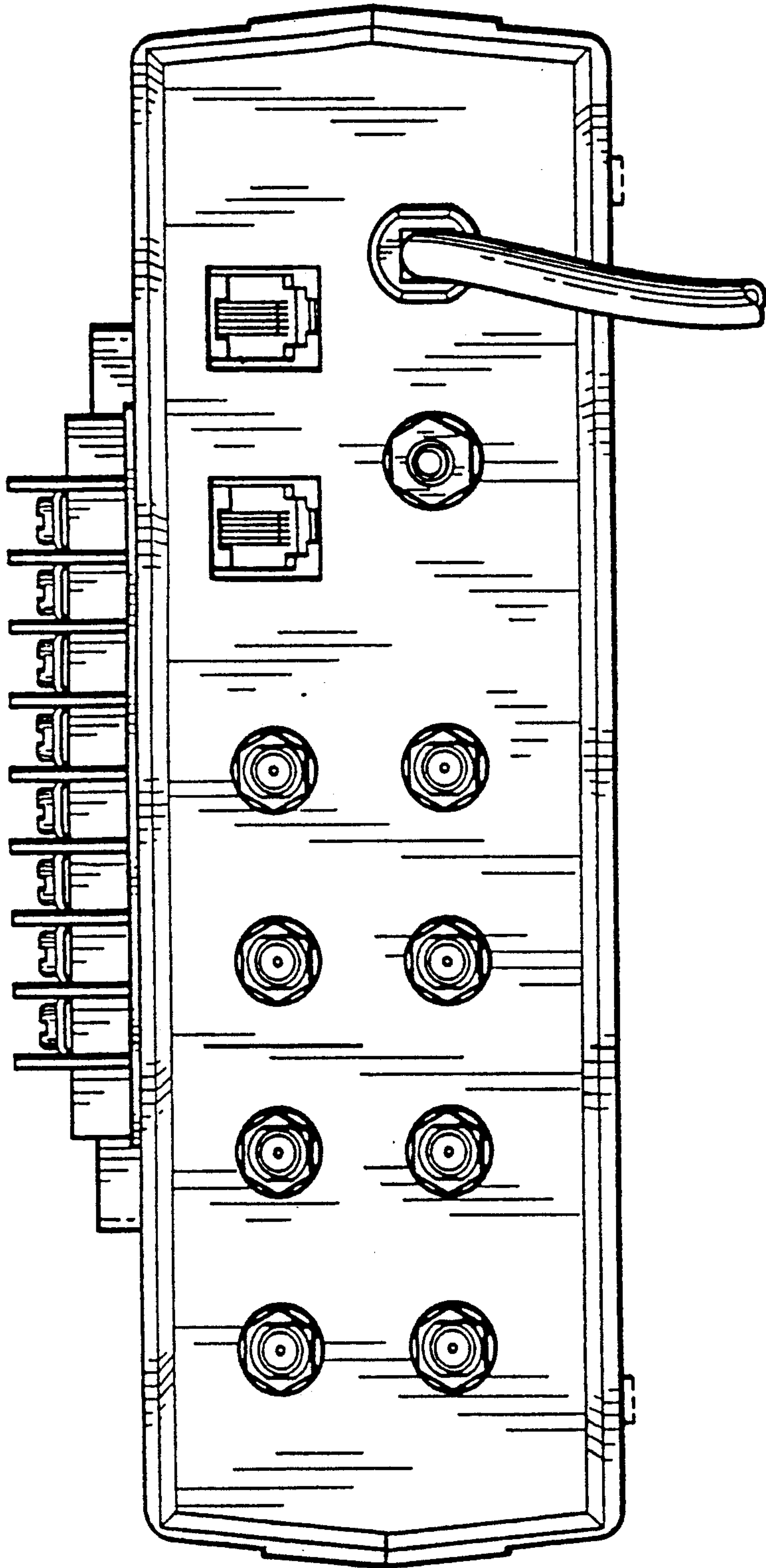


FIG. 5