



US00D340017S

# United States Patent [19]

Falcoff

[11] Patent Number: **Des. 340,017**

[45] Date of Patent: **\*\* Oct. 5, 1993**

[54] **SET OF ACCESSORY PANELS FOR AN OVERHEAD CONSOLE**

[75] Inventor: **Monte L. Falcoff**, Southfield, Mich.

[73] Assignee: **United Technologies Automotive, Inc.**, Dearborn, Mich.

[\*\*] Term: **14 Years**

[21] Appl. No.: **770,942**

[22] Filed: **Oct. 2, 1991**

[52] U.S. Cl. .... **D12/155**

[58] Field of Search ..... **D12/155; 296/37.7, 37.8; 224/42.42, 311**

4,241,870 12/1980 Marcus ..... 296/37.7

4,867,498 9/1989 Delphia et al. .... 296/37.7

5,020,845 6/1991 Falcoff et al. .... 296/37.7

5,040,990 8/1991 Suman et al. .... 296/37.7

5,050,922 9/1991 Falcoff ..... 296/37.7

5,062,559 11/1991 Falcoff ..... 296/37.8

5,064,974 11/1991 Vigneau et al. .... 296/37.7

Primary Examiner—James M. Gandy

### [57] CLAIM

The ornamental design for a set of accessory panels for an overhead console, as shown and described.

### DESCRIPTION

FIG. 1 is a plan view of a design for a set of accessory panels for an overhead console;

FIG. 2 is a side elevation thereof; and,

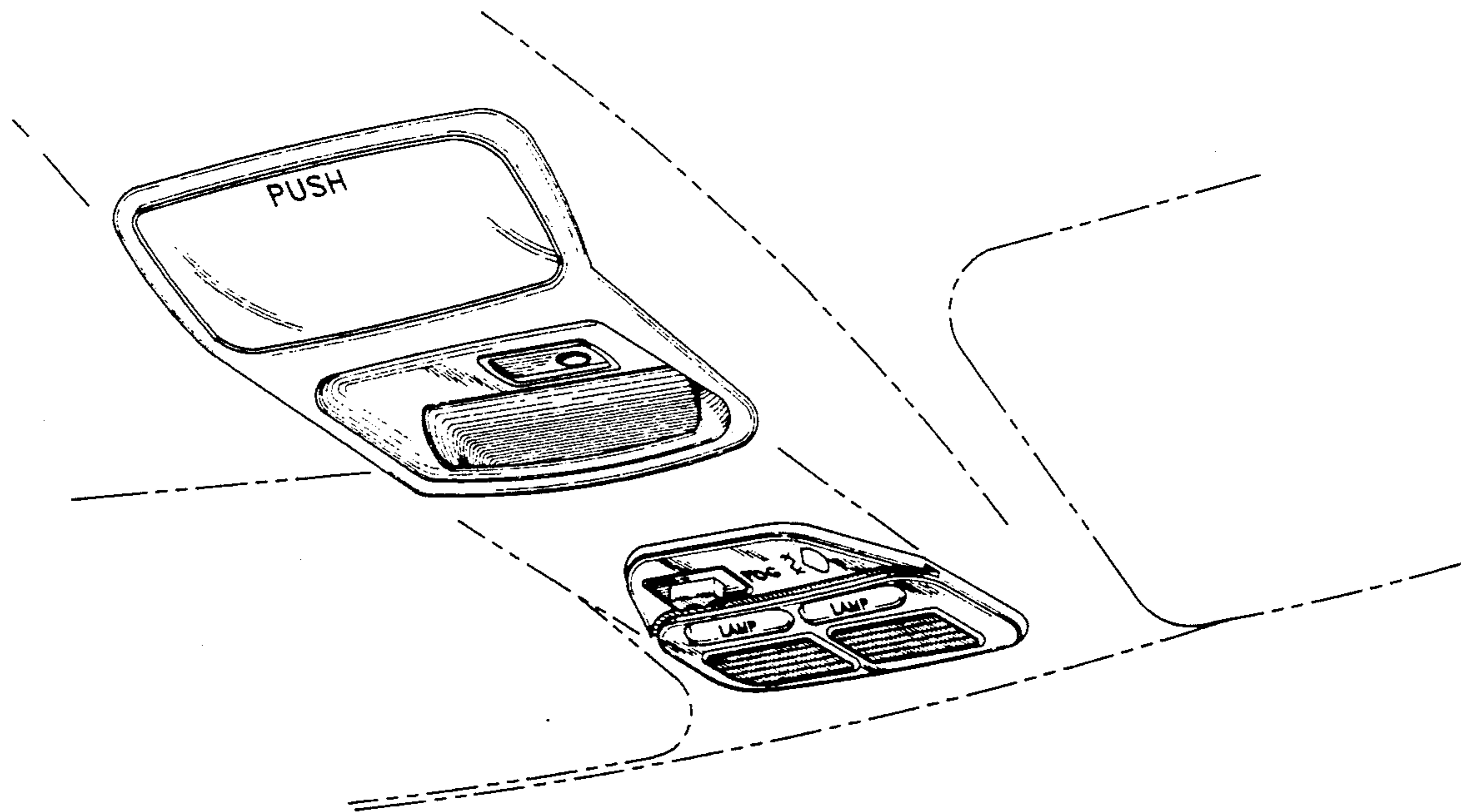
FIG. 3 is a perspective view thereof.

The broken lines illustrate the environment in which the overhead console is used and are not part of the design thereof.

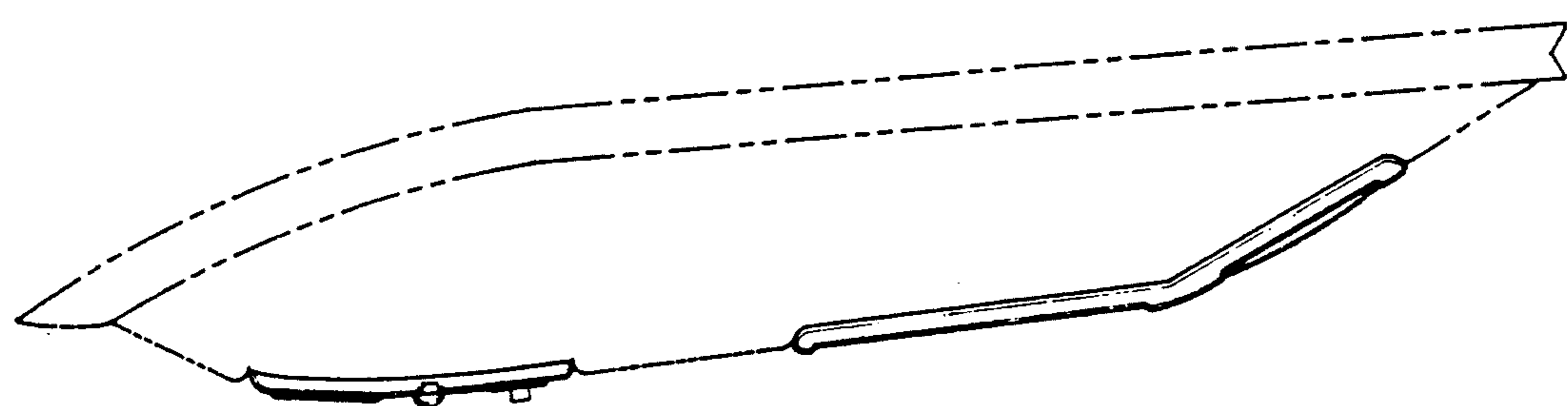
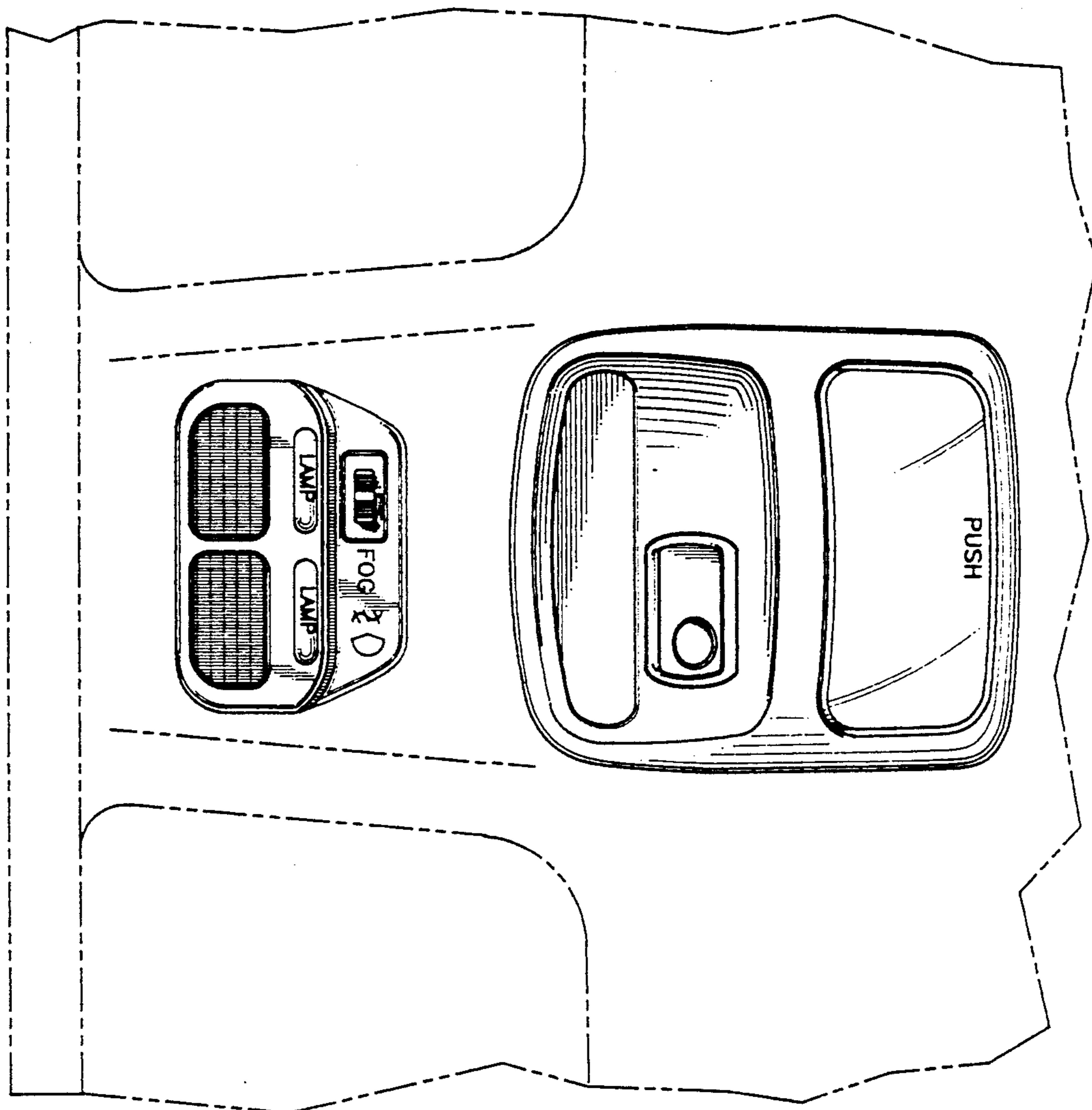
[56] **References Cited**

**U.S. PATENT DOCUMENTS**

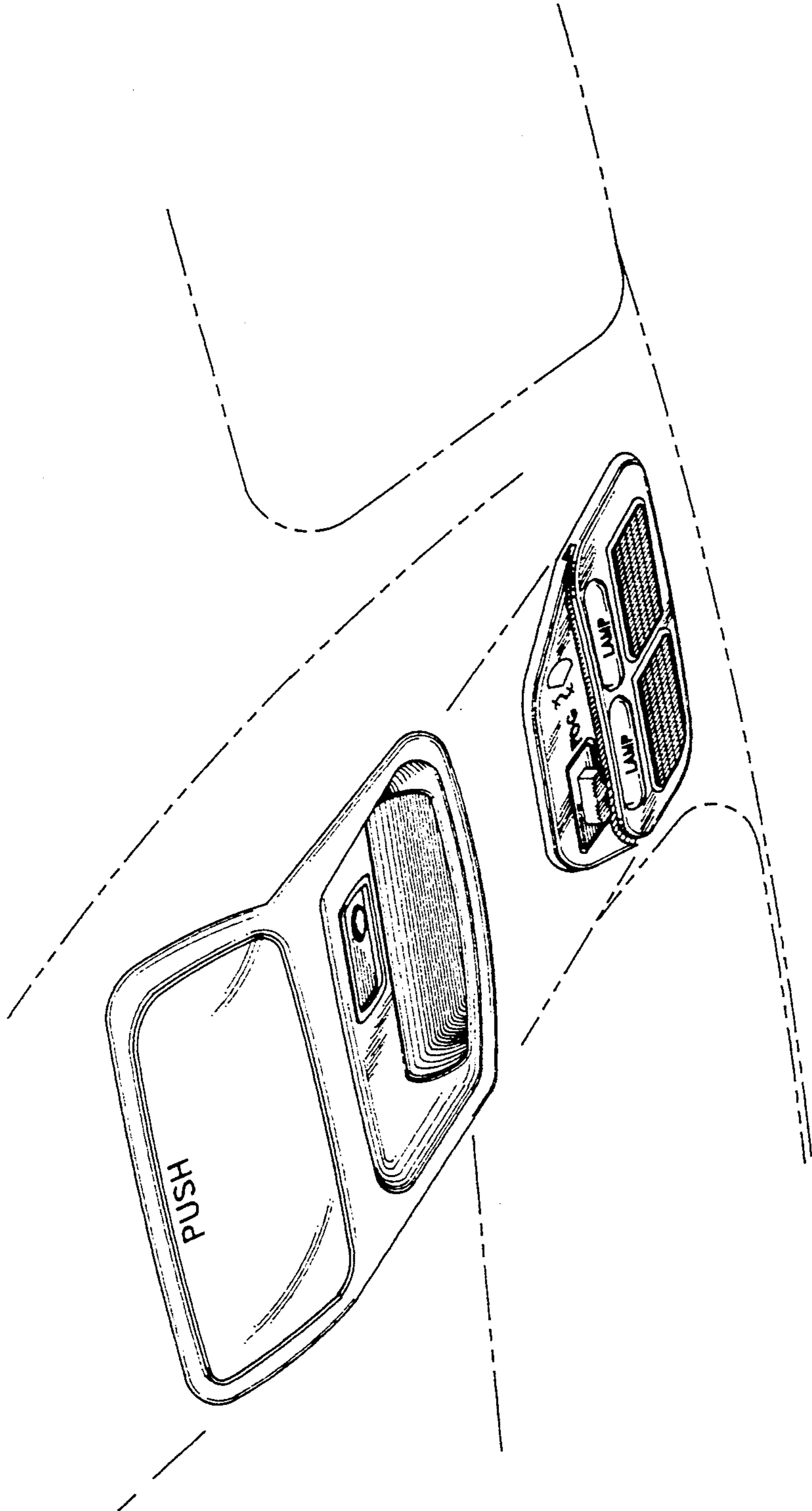
D. 282,733	2/1986	Giavazzi et al. ....	D12/155
D. 296,885	7/1988	Higgins .....	D12/155
D. 297,527	9/1988	Iacovelli .....	D12/155
4,100,372	7/1978	Hypolite .....	296/37.7



*fig. 1*



*fig. 2*



*fig. 3*