



US00D340013S

United States Patent [19]

Downey et al.

[11] Patent Number: **Des. 340,013**

[45] Date of Patent: **** Oct. 5, 1993**

- [54] TIRE
- [75] Inventors: **William A. Downey; Ronald L. Messer**, both of Simpsonville, S.C.
- [73] Assignee: **Uniroyal Goodrich Tire Company**, Akron, Ohio
- [**] Term: **14 Years**
- [21] Appl. No.: **777,653**
- [22] Filed: **Oct. 16, 1991**
- [52] U.S. Cl. **D12/147**
- [58] Field of Search **D12/137, 138, 140-143, D12/145-148; 152/209 R, 209 B, 209 D**

D. 326,252 5/1992 Slagh D12/147

OTHER PUBLICATIONS

1990 Tread Design Guide, p. 68, Stratton Performance Plus Steel Radial Tire, third row down from top, second tire in from left side of page.
 1991 Tire Design Guide p. 22 Dayton Quadra XT2 tire.

Primary Examiner—James M. Gandy
Attorney, Agent, or Firm—Alan A. Csontos; Greg Strugalski; Robert R. Reed

[57] CLAIM

The ornamental design for a tire, as shown and described.

DESCRIPTION

FIG. 1 is a perspective view of a tire showing our new design, it being understood that the tread pattern is repeated throughout the circumference of the tire and the tread shoulder, as shown schematically by solid lines, the opposite side being substantially the same as that illustrated in FIG. 1; and, FIG. 2 is an enlarged front elevation view of the tread pattern thereof.

- [56] **References Cited**
- U.S. PATENT DOCUMENTS**
- D. 288,307 2/1987 Ono D12/146
- D. 291,792 9/1987 Clemens D12/147
- D. 294,929 3/1988 Clemens D12/147
- D. 299,712 2/1989 Slagh D12/147
- D. 320,966 10/1991 Miller et al. D12/147
- D. 324,011 2/1992 Messer D12/147
- D. 324,012 2/1992 Janczak D12/147

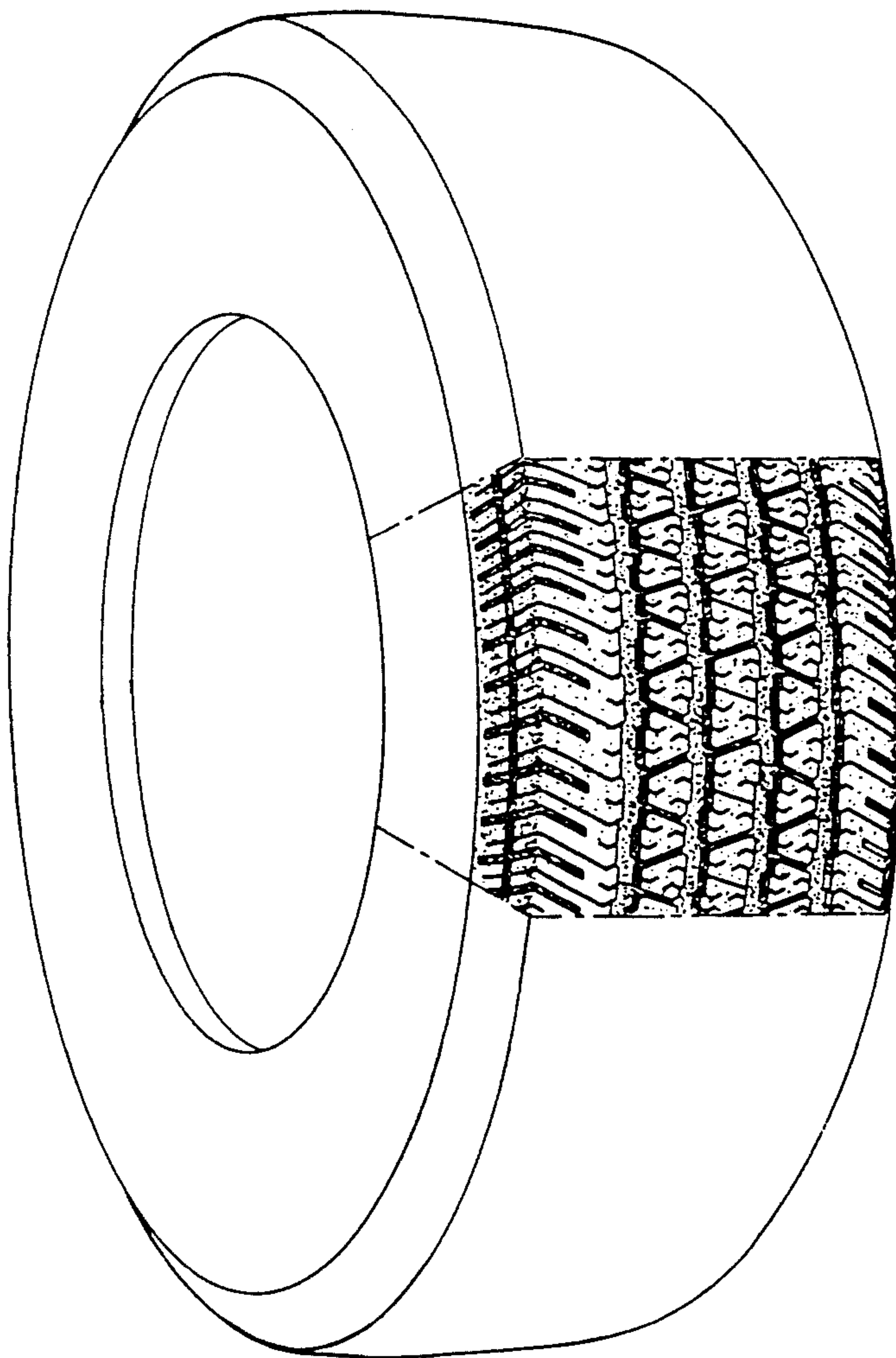


FIG. 1

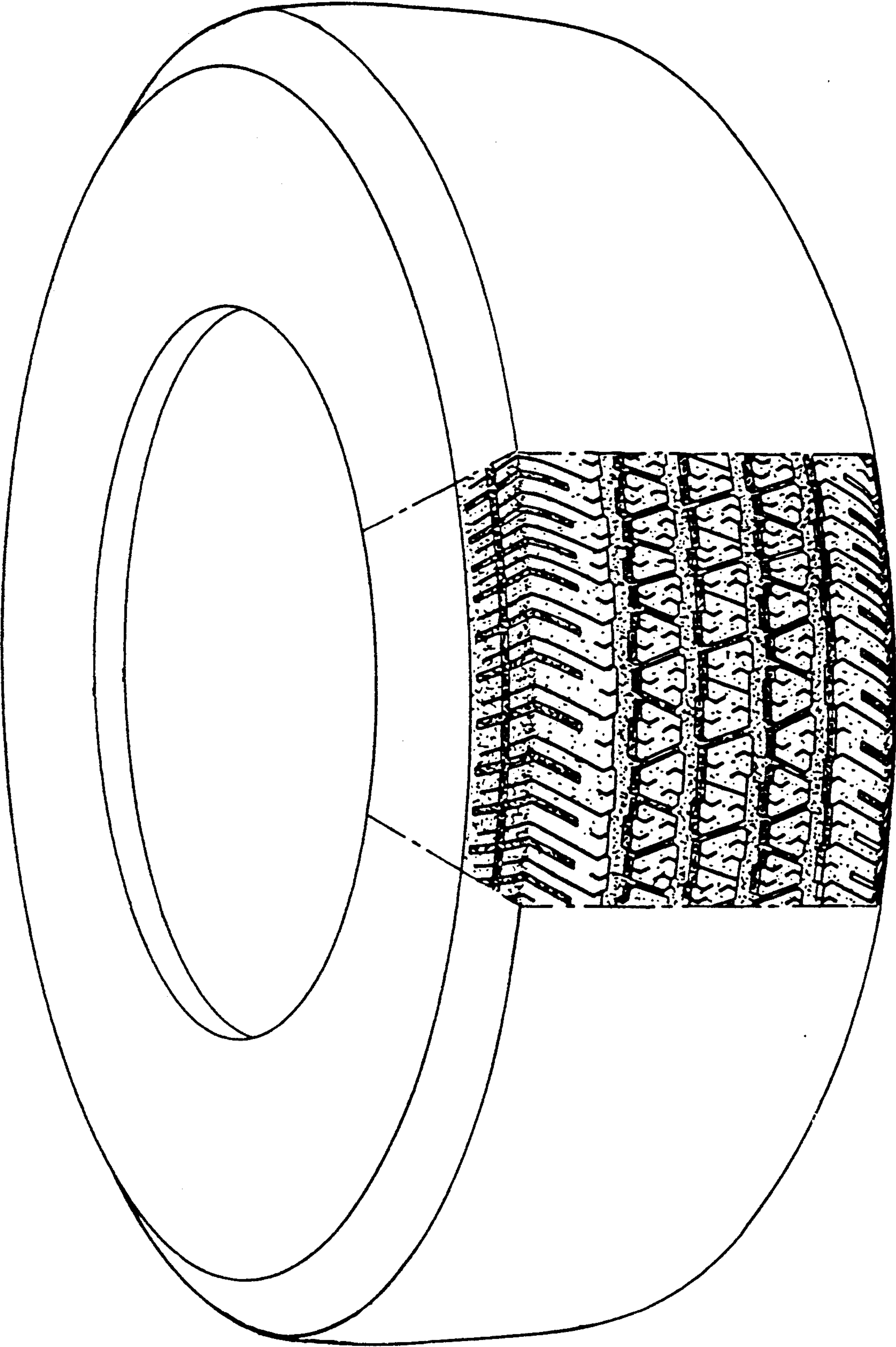


FIG. 2

