



US00D340009S

United States Patent [19]

Simpson

[11] Patent Number: Des. 340,009

[45] Date of Patent: ** Oct. 5, 1993

[54] SKI SLED

[75] Inventor: Paul K. Simpson, Millbrae, Calif.

[73] Assignee: Hamson Products, Inc., Merrimack, N.H.

[**] Term: 14 Years

[21] Appl. No.: 889,100

[22] Filed: May 19, 1992

[52] U.S. Cl. D12/8

[58] Field of Search D12/8, 9; 280/12 H, 280/21 R, 16, 23, 18; D21/81

2,894,760 7/1959 Kolstad D12/8

3,151,876 10/1964 Hahto D12/8

3,269,742 8/1966 Funiyak et al. D12/8

3,529,847 9/1970 Shores D12/8

Primary Examiner—Wallace R. Burke
 Assistant Examiner—Melody Brown
 Attorney, Agent, or Firm—Gregory J. Nelson

[57] CLAIM

The ornamental design for a ski sled, as shown and described.

DESCRIPTION

FIG. 1 is a perspective view of a ski sled showing my new design;

FIG. 2 is a side view of the design;

FIG. 3 is a top view of the design;

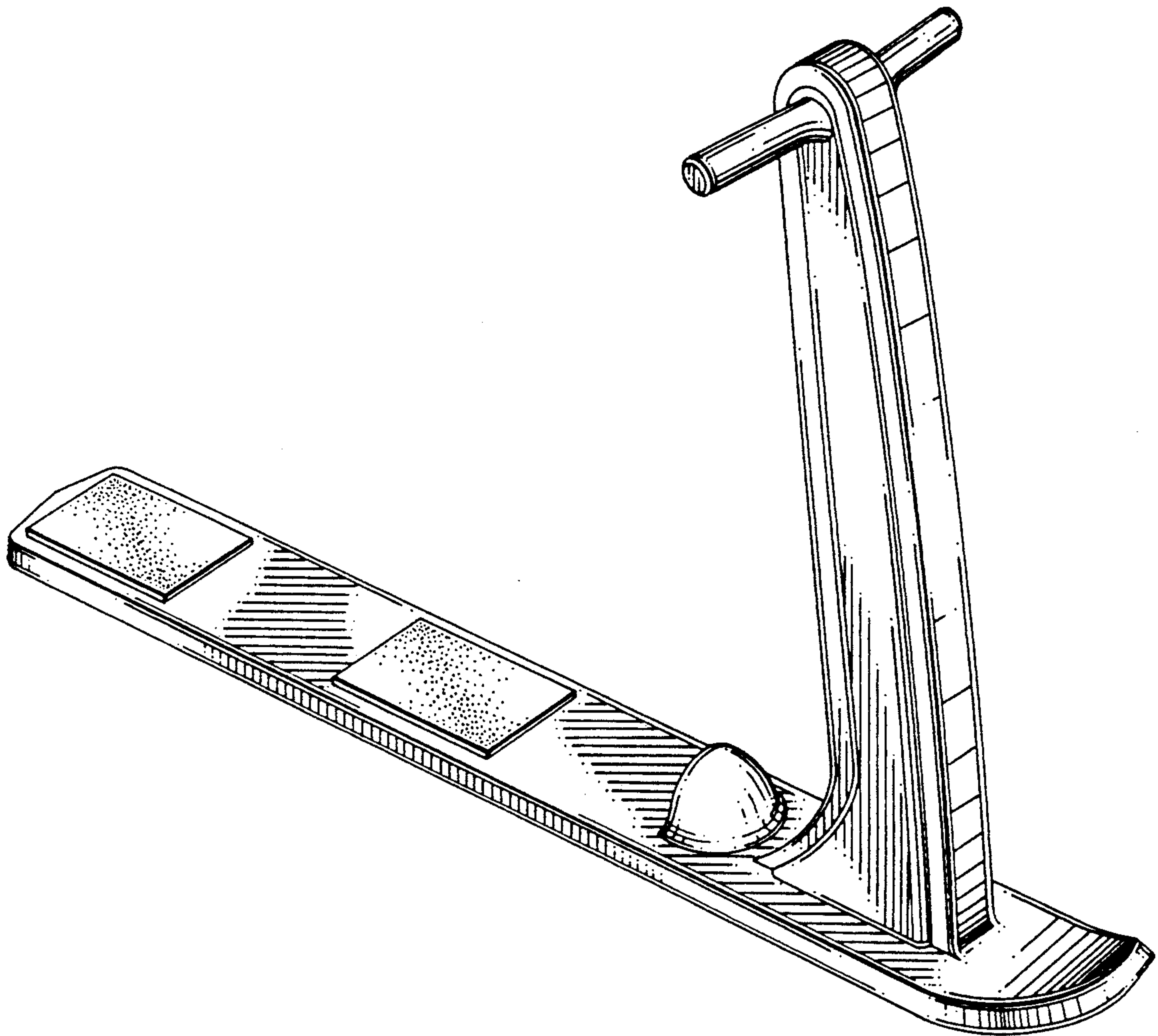
FIG. 4 is a bottom view of the design;

FIG. 5 is a front view of the design; and,

FIG. 6 is a rear view of the design of my invention.

The FIGS. 2, 3, and 4 drawing views are shown broken away for convenience of illustration.

- [56] **References Cited**
- U.S. PATENT DOCUMENTS**
- | | | | | |
|------------|---------|-----------------|-------|--------|
| D. 137,306 | 2/1944 | Sueders | | D12/8 |
| D. 210,544 | 3/1968 | Fleisher | | D21/81 |
| D. 213,790 | 8/1969 | Berglund | | D21/81 |
| D. 224,125 | 7/1972 | Boganowski | | D12/8 |
| D. 299,218 | 1/1989 | Snyder | | D12/8 |
| 2,101,229 | 12/1937 | Anderson et al. | | D12/8 |



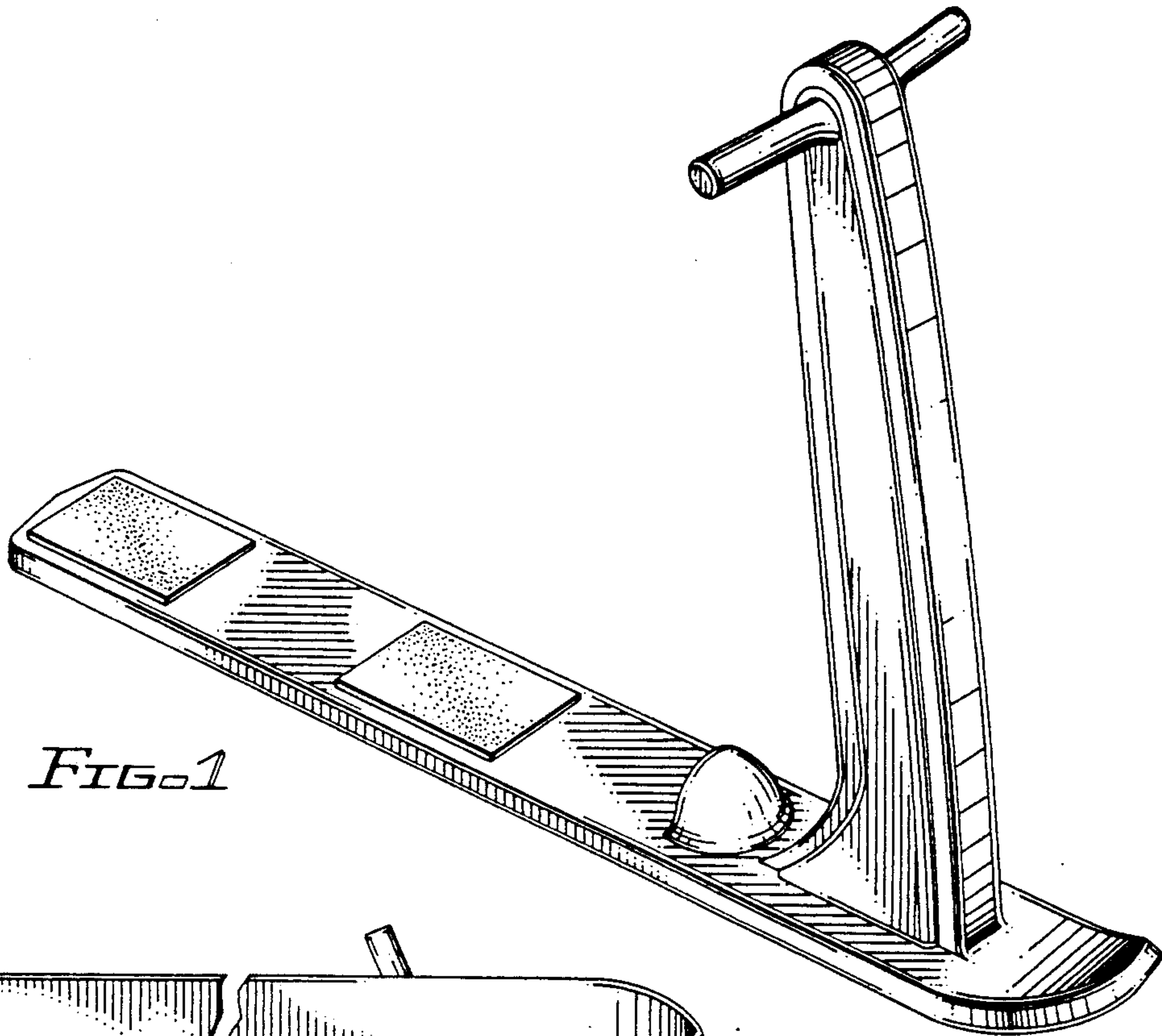


FIG. 1

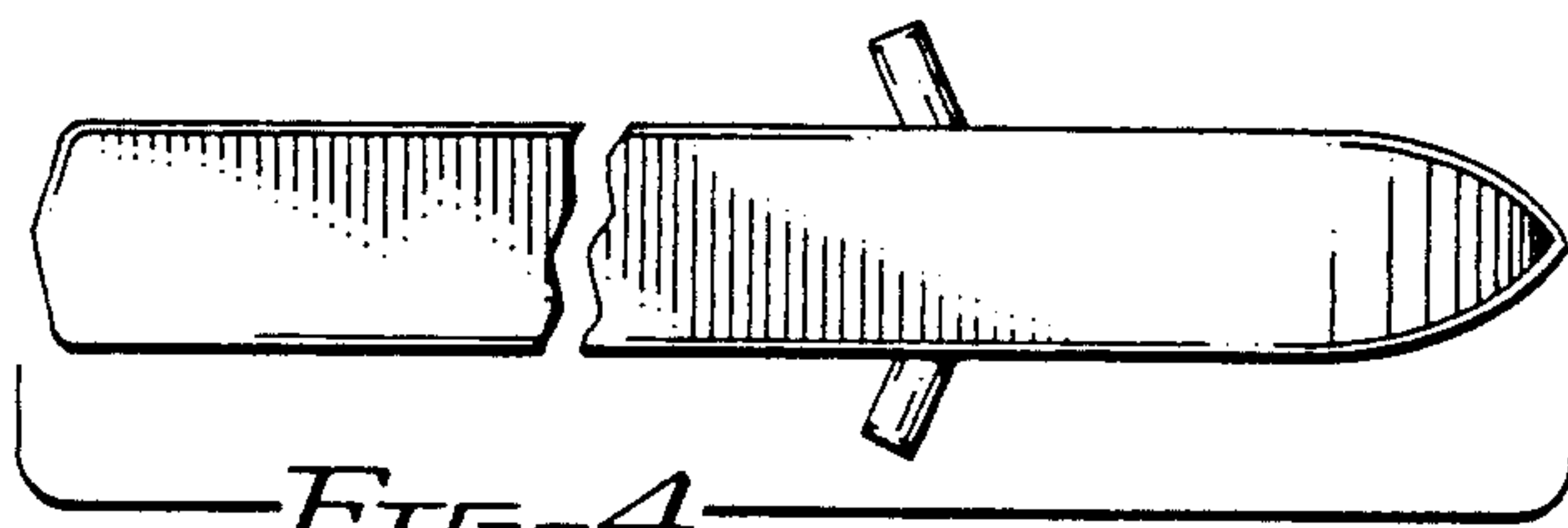


FIG. 4

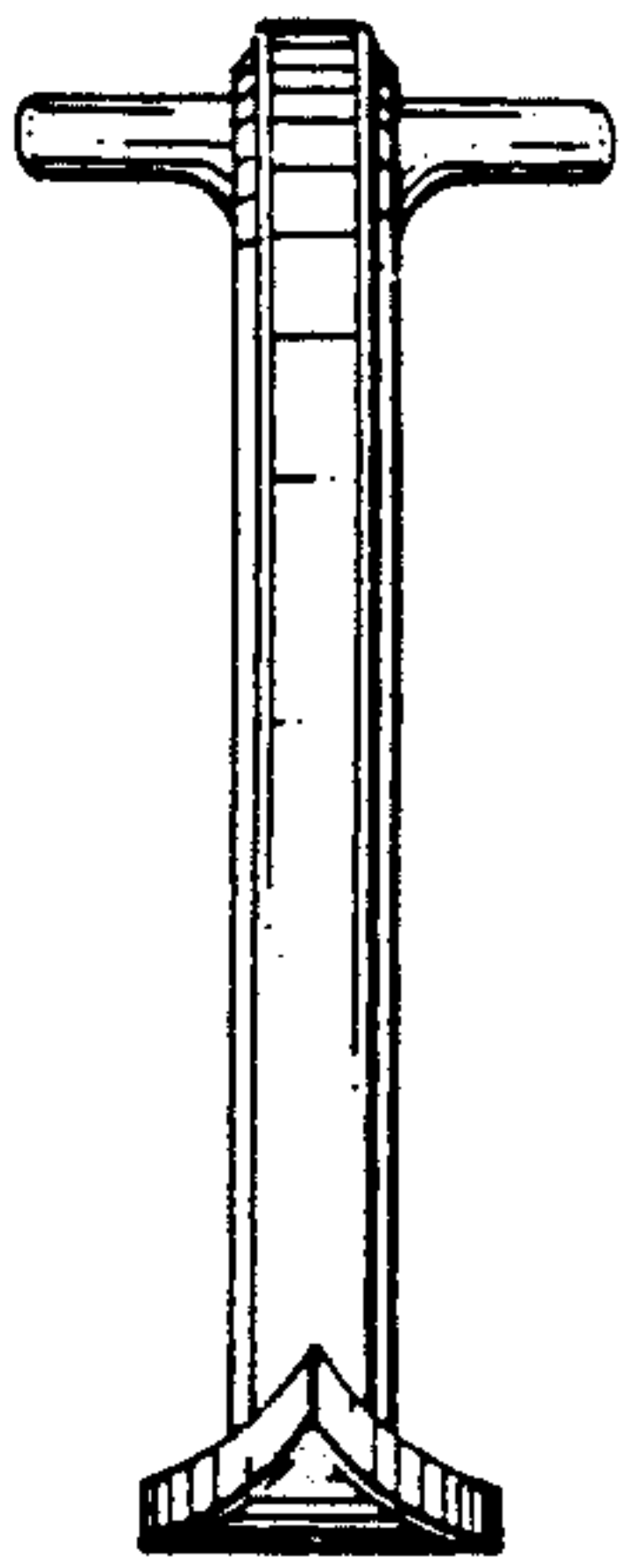


FIG. 5

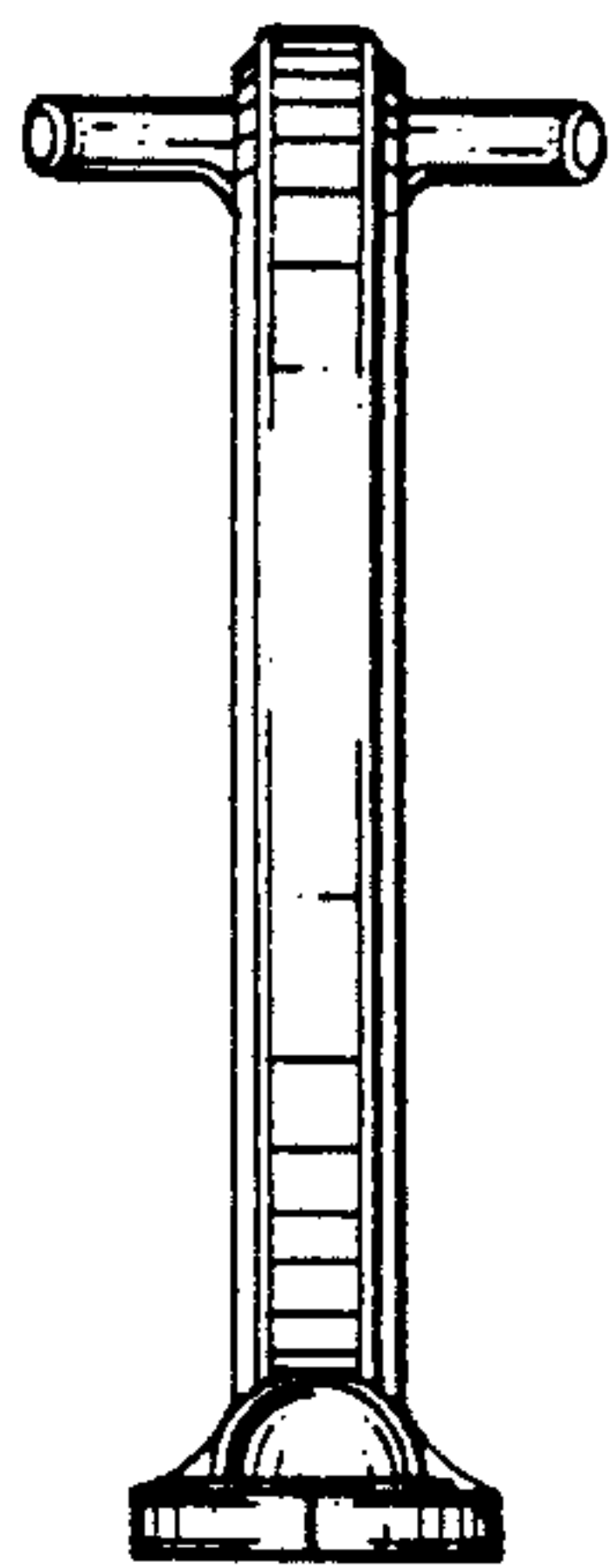


FIG. 6

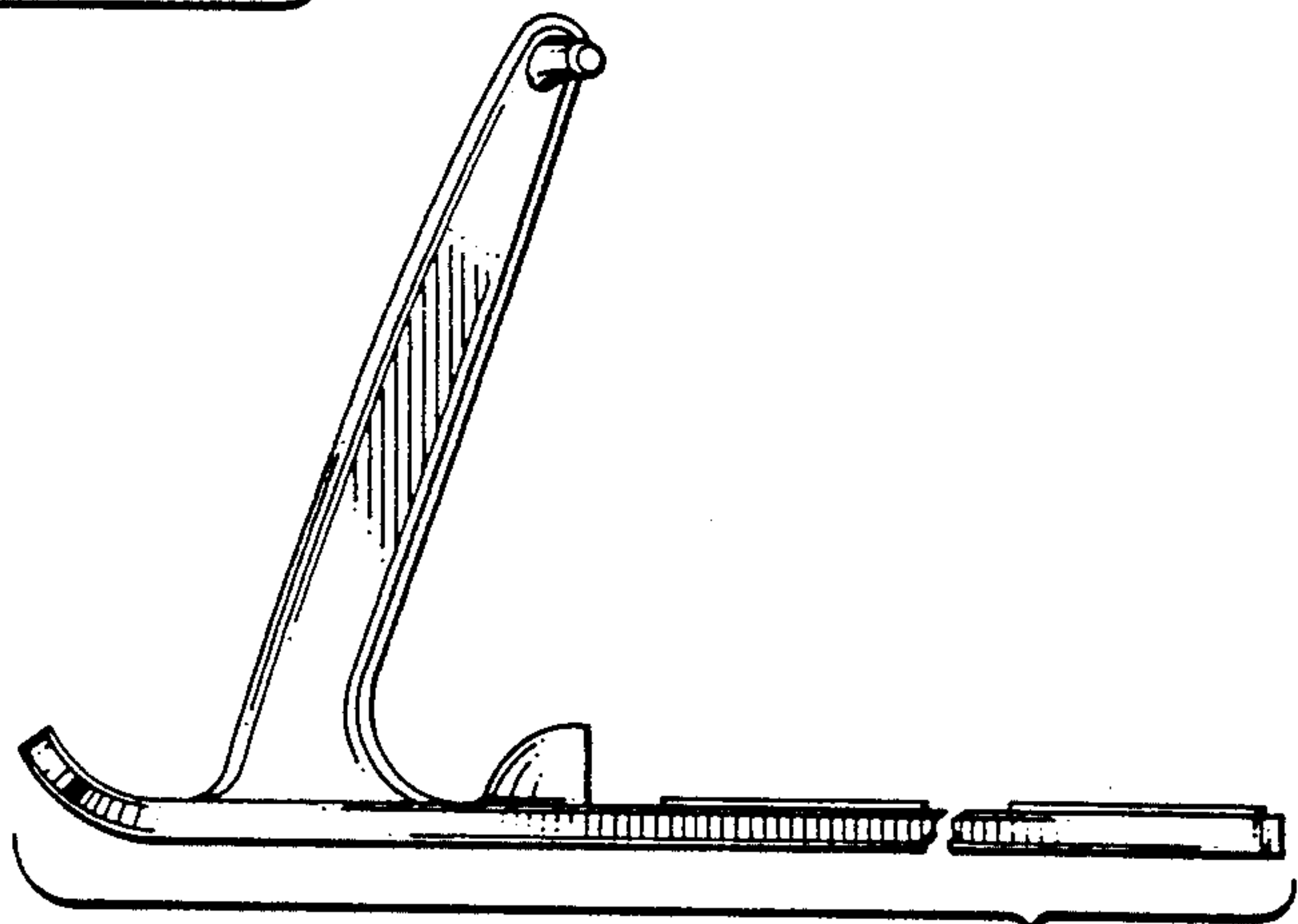


FIG. 2

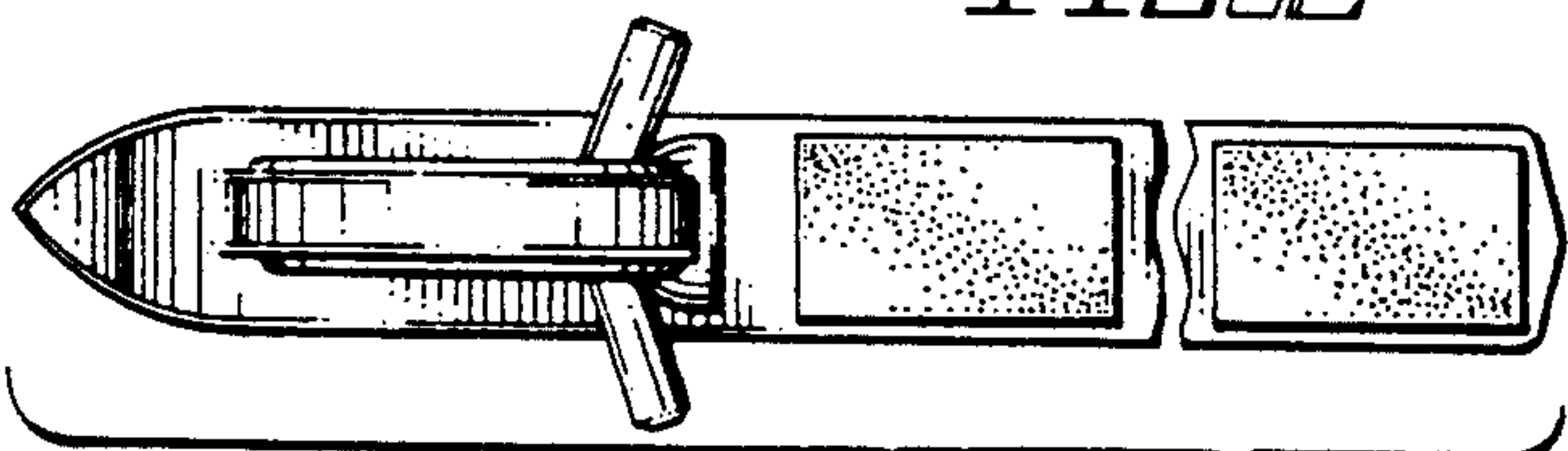


FIG. 3