



US00D340005S

United States Patent [19]

Butler, Jr.

[11] Patent Number: **Des. 340,005**

[45] Date of Patent: *** Oct. 5, 1993**

[54] **PHOTO IDENTIFICATION LOCKET**

2,176,253 10/1939 Fogarty D11/79

[75] Inventor: **George T. Butler, Jr., Warwick, R.I.**

Primary Examiner—A. Hugo Word

[73] Assignee: **Textron Inc., Providence, R.I.**

Assistant Examiner—R. Seifert

[*] Notice: The portion of the term of this patent subsequent to Feb. 23, 2007 has been disclaimed.

Attorney, Agent, or Firm—Samuels, Gauthier & Stevens

[**] Term: **14 Years**

[57] **CLAIM**

The ornamental design for a photo identification locket, as shown and described.

[21] Appl. No.: **665,001**

[22] Filed: **Mar. 5, 1991**

[52] U.S. Cl. **D11/80; D11/79**

[58] Field of Search **D11/1, 2, 7, 40-46, D11/56, 65, 66, 79-81, 83, 95-103; 63/1.1, 2, 12-14.1, 20, 26**

DESCRIPTION

FIG. 1 is a top plan view of a photo identification locket showing my new design;

FIG. 2 is a bottom plan view thereof;

FIG. 3 is an end elevational view thereof (looking from bottom to top in FIG. 1), the opposite side being a mirror image;

FIG. 4 is an end elevational view thereof (looking from right to left in FIG. 1), the opposite side being a mirror image;

FIG. 5 is a top perspective view thereof; and,

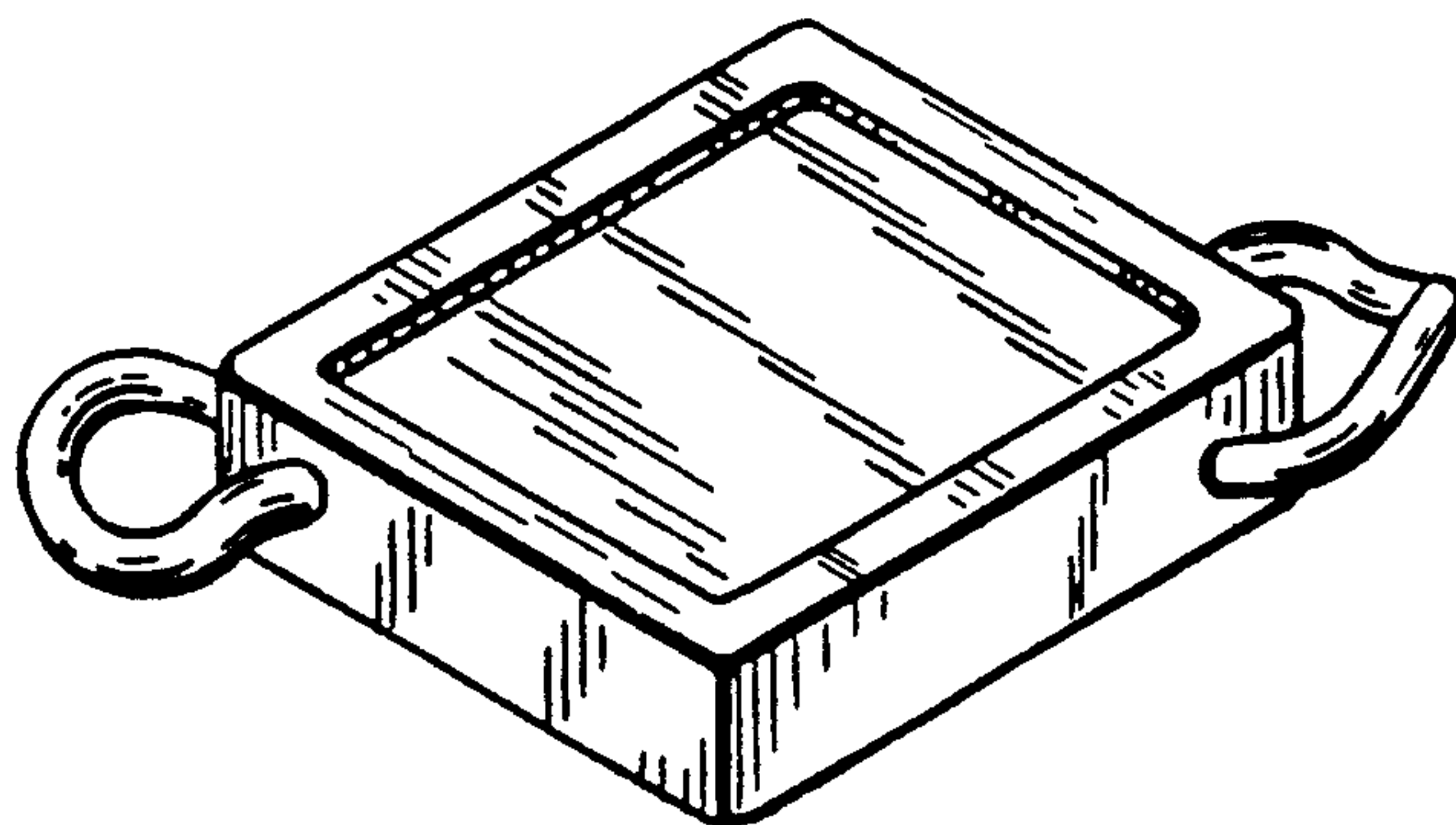
FIG. 6 is a bottom perspective view thereof.

The broken line showing the chain links in FIGS. 1 and 2 is for illustrative purposes only and forms no part of the claimed design.

[56] **References Cited**

U.S. PATENT DOCUMENTS

- D. 130,943 12/1941 Dawer D11/7
- D. 306,707 3/1990 DeFrahan D11/79
- D. 311,356 10/1990 DeFrahan D11/79
- 837,615 12/1906 Dover 63/26



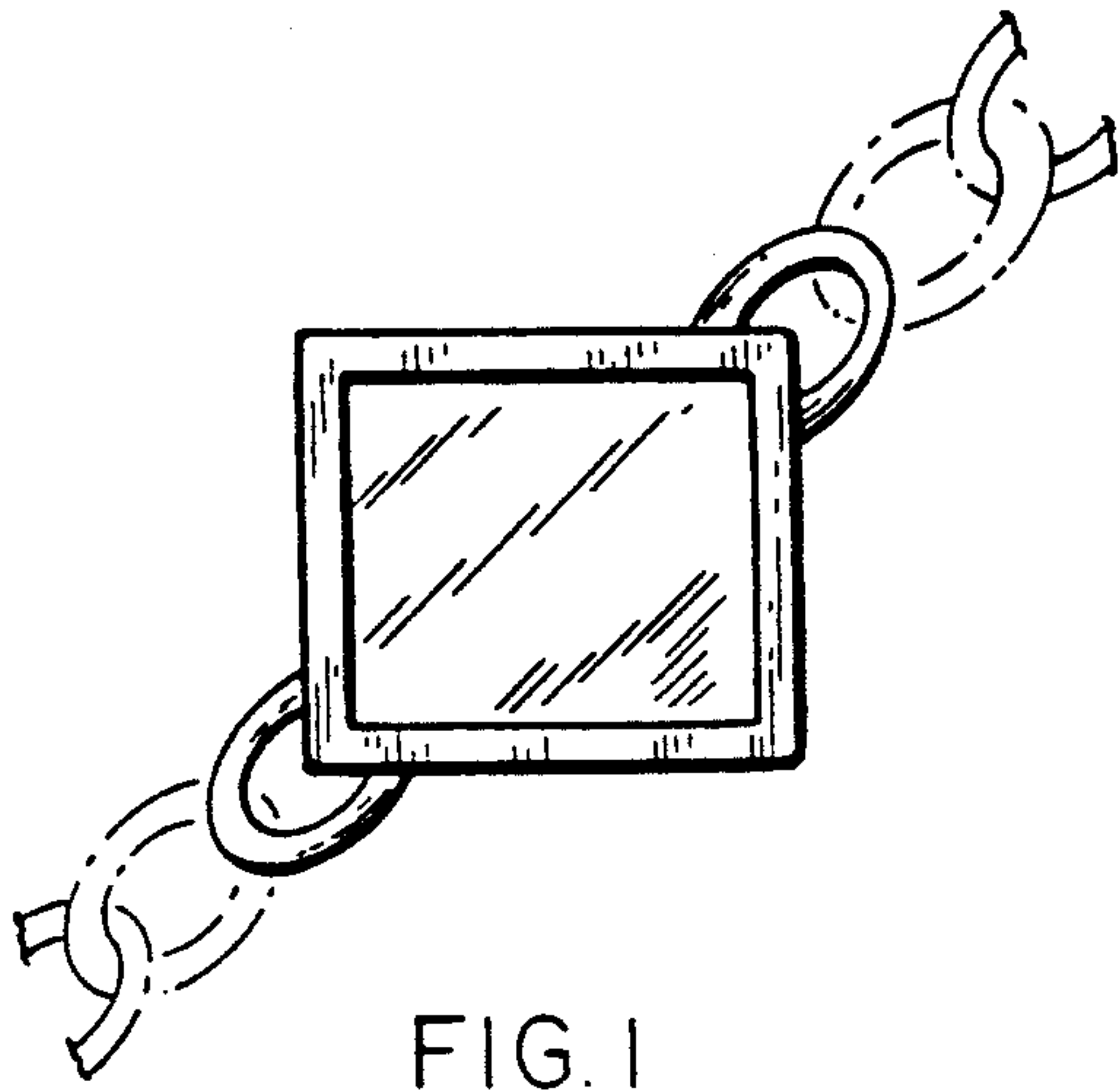


FIG. 1

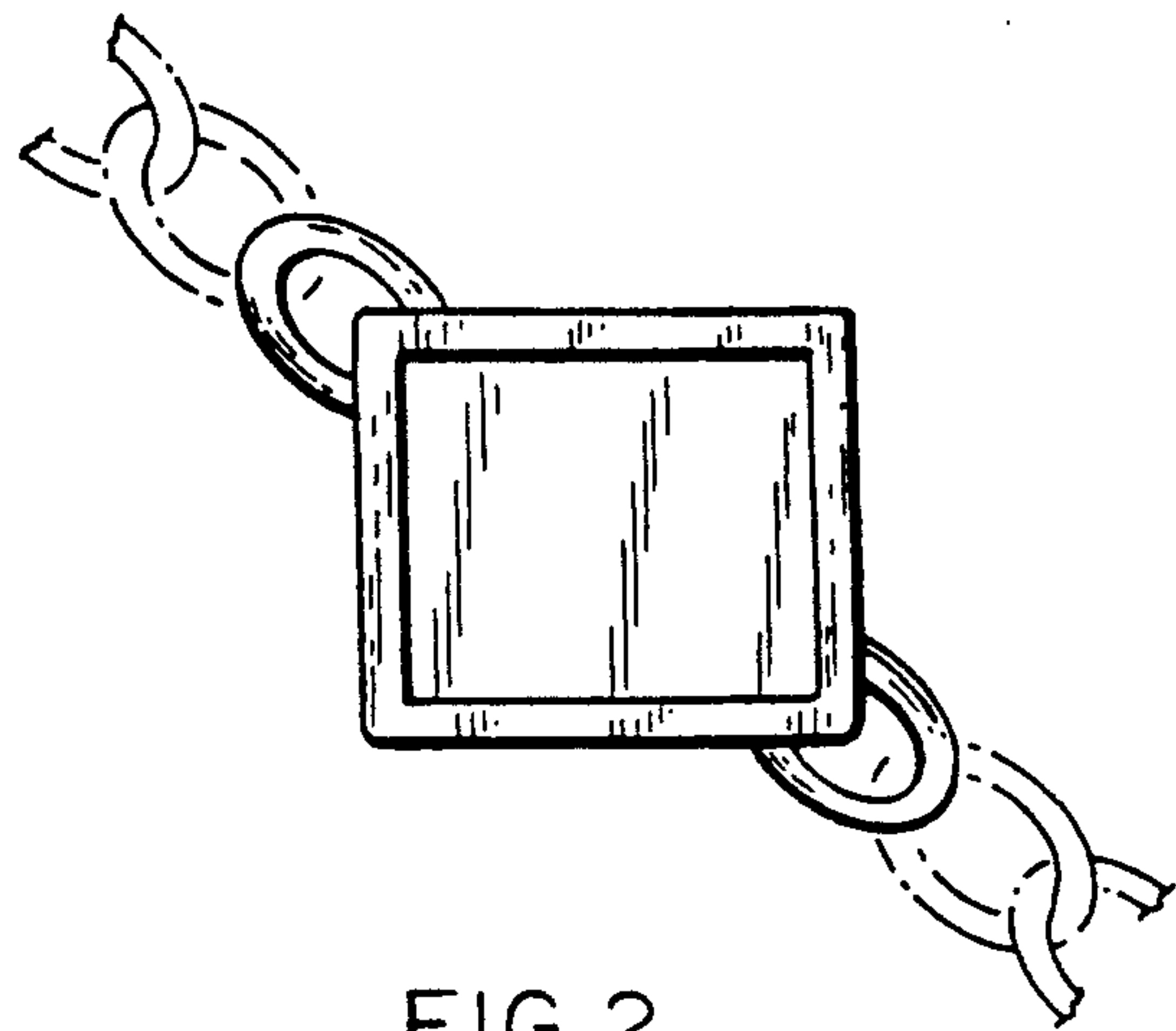


FIG. 2

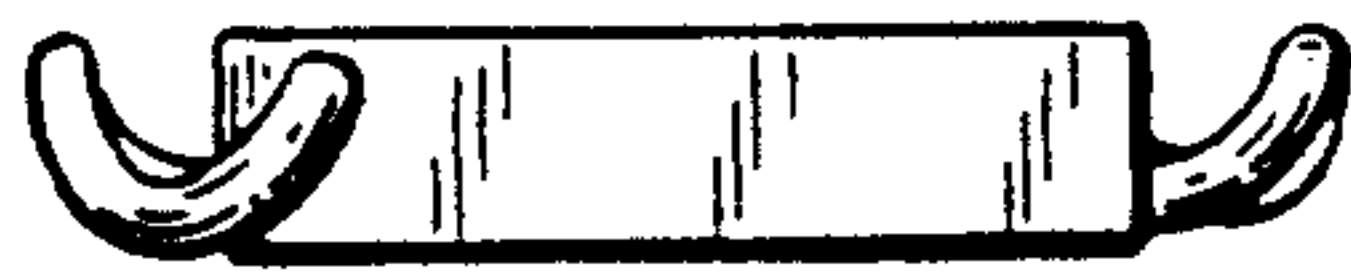


FIG. 3



FIG. 4

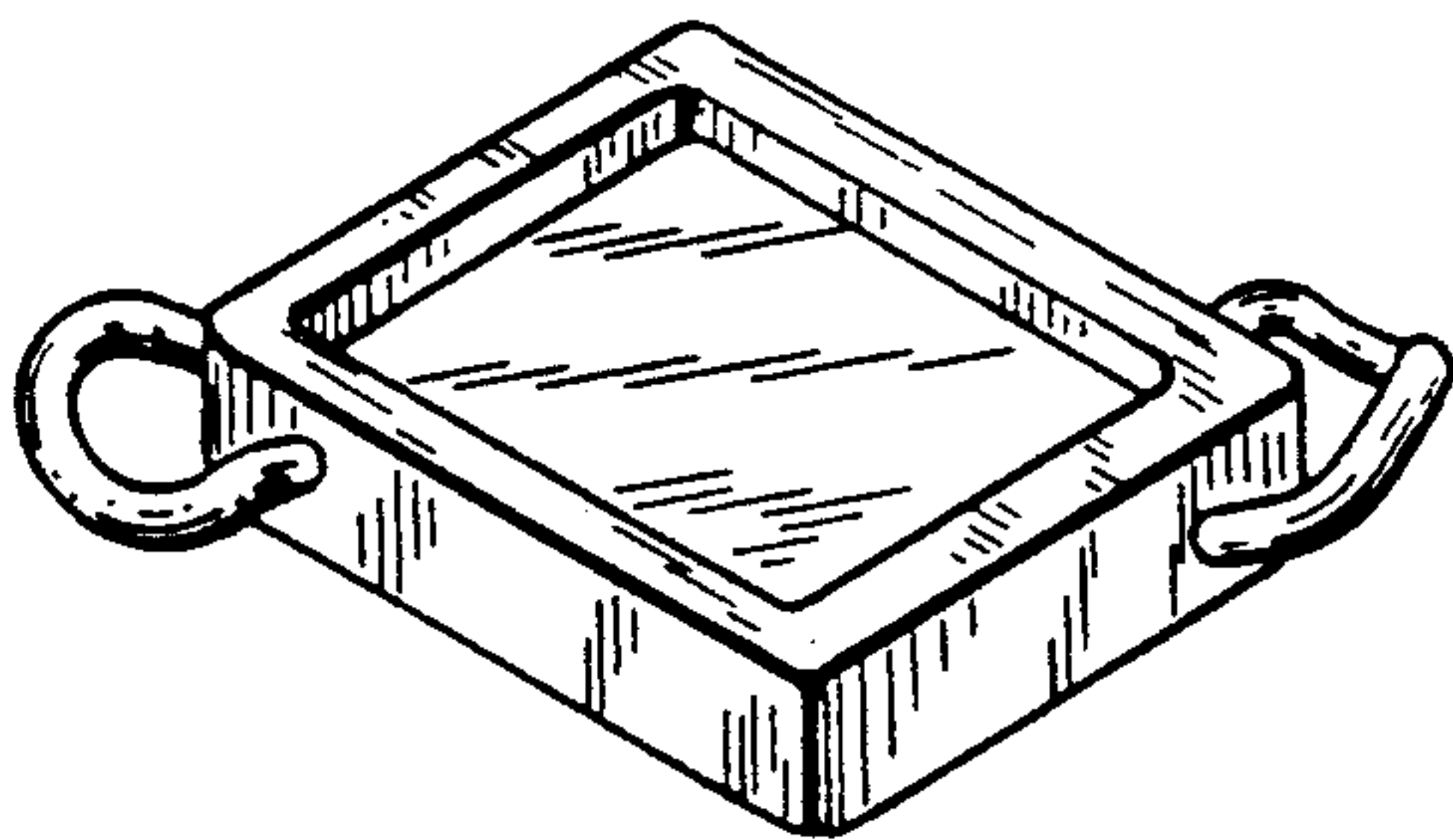


FIG. 5

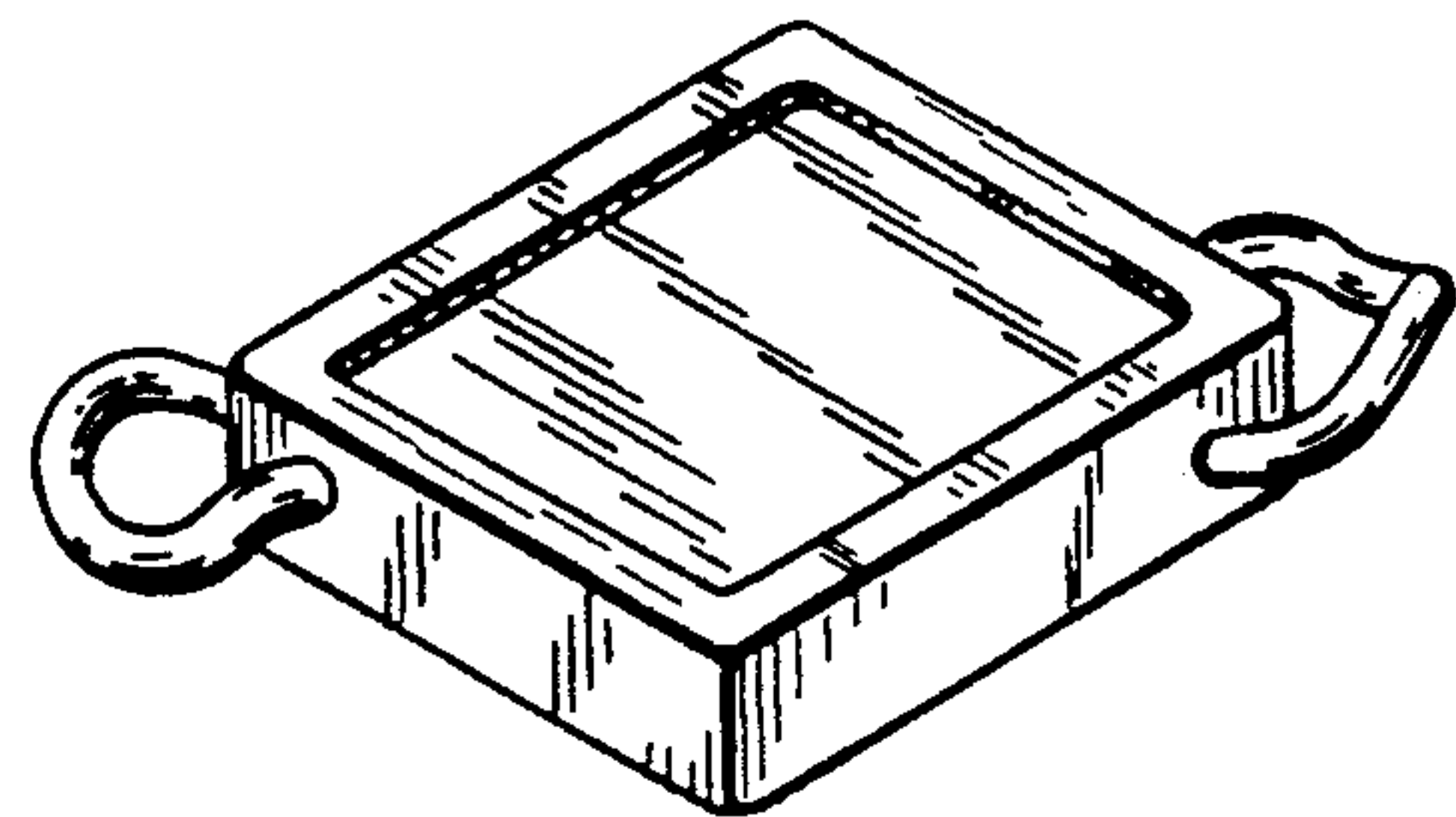


FIG. 6