



US00D340002S

United States Patent [19]

[11] Patent Number: **Des. 340,002**

Smith, Sr.

[45] Date of Patent: **** Oct. 5, 1993**

[54] **HOLDER FOR CHEMILUMINESCENT SIGNAL**

[56] **References Cited**

U.S. PATENT DOCUMENTS

[76] Inventor: **Jacob O. Smith, Sr.**, 601 Armenia Dr., Pensacola, Fla. 32505

D. 326,426	5/1992	Smith, Sr.	D10/114
4,768,136	8/1988	Tashjian	362/34 X
4,796,161	1/1989	Savariego	362/34

[**] Term: **14 Years**

Primary Examiner—Susan J. Lucas
Attorney, Agent, or Firm—George A. Bode

[21] Appl. No.: **807,569**

[57] **CLAIM**

The ornamental design for a holder for chemiluminescent signal, as shown and described.

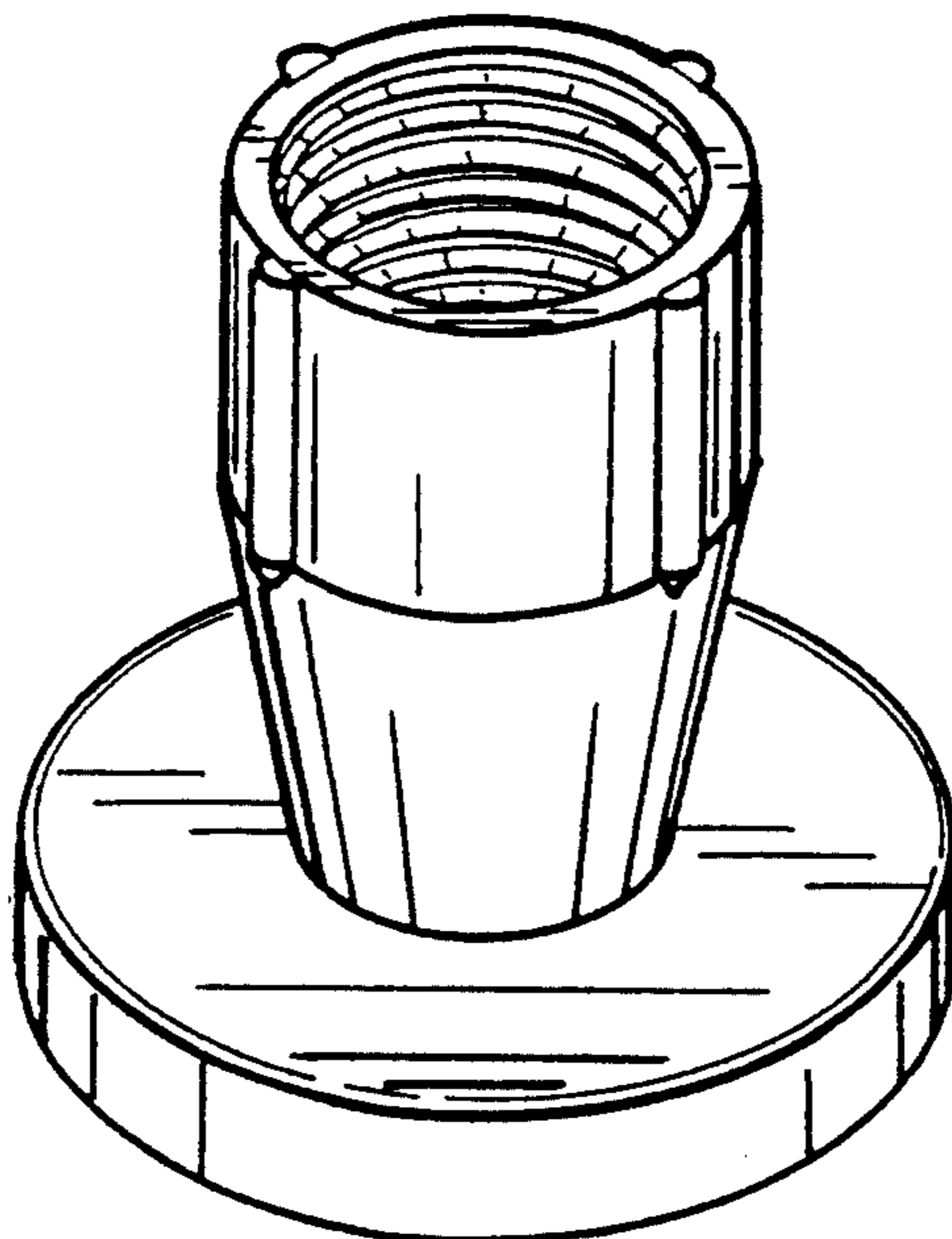
[22] Filed: **Dec. 13, 1991**

DESCRIPTION

[52] U.S. Cl. **D10/114; D26/9;**
D26/138

FIG. 1 is a top perspective view of a holder for chemiluminescent signal showing my new design;
FIG. 2 is a side elevational view, the side opposite being a mirror image thereof (the front and rear elevational views being identical to the side view);
FIG. 3 is a top plan view thereof; and,
FIG. 4 is a bottom plan view thereof.

[58] Field of Search D26/138, 37, 24, 9;
D10/114, 121; 362/34, 84; 116/63 D; 248/127,
158



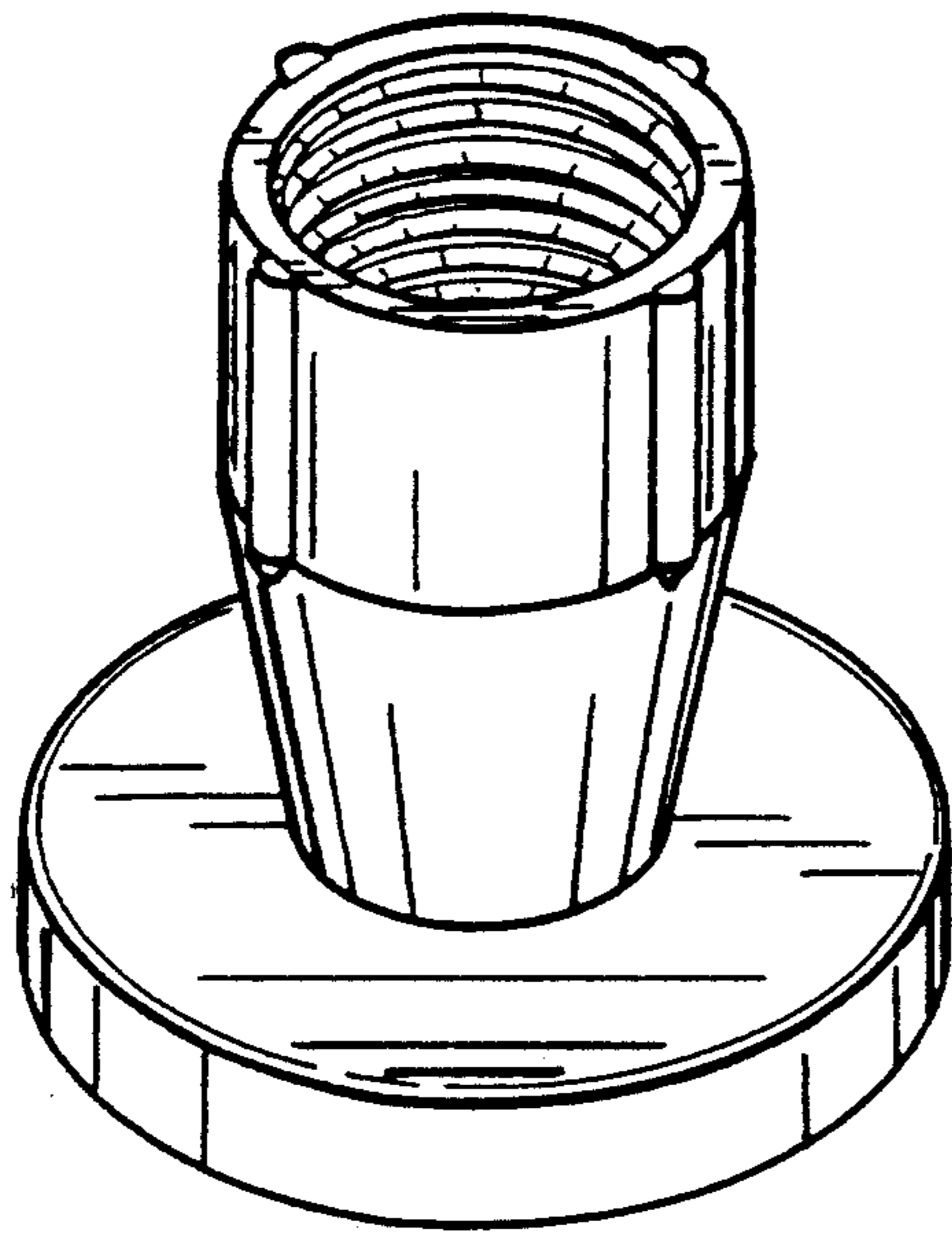


FIG. 1

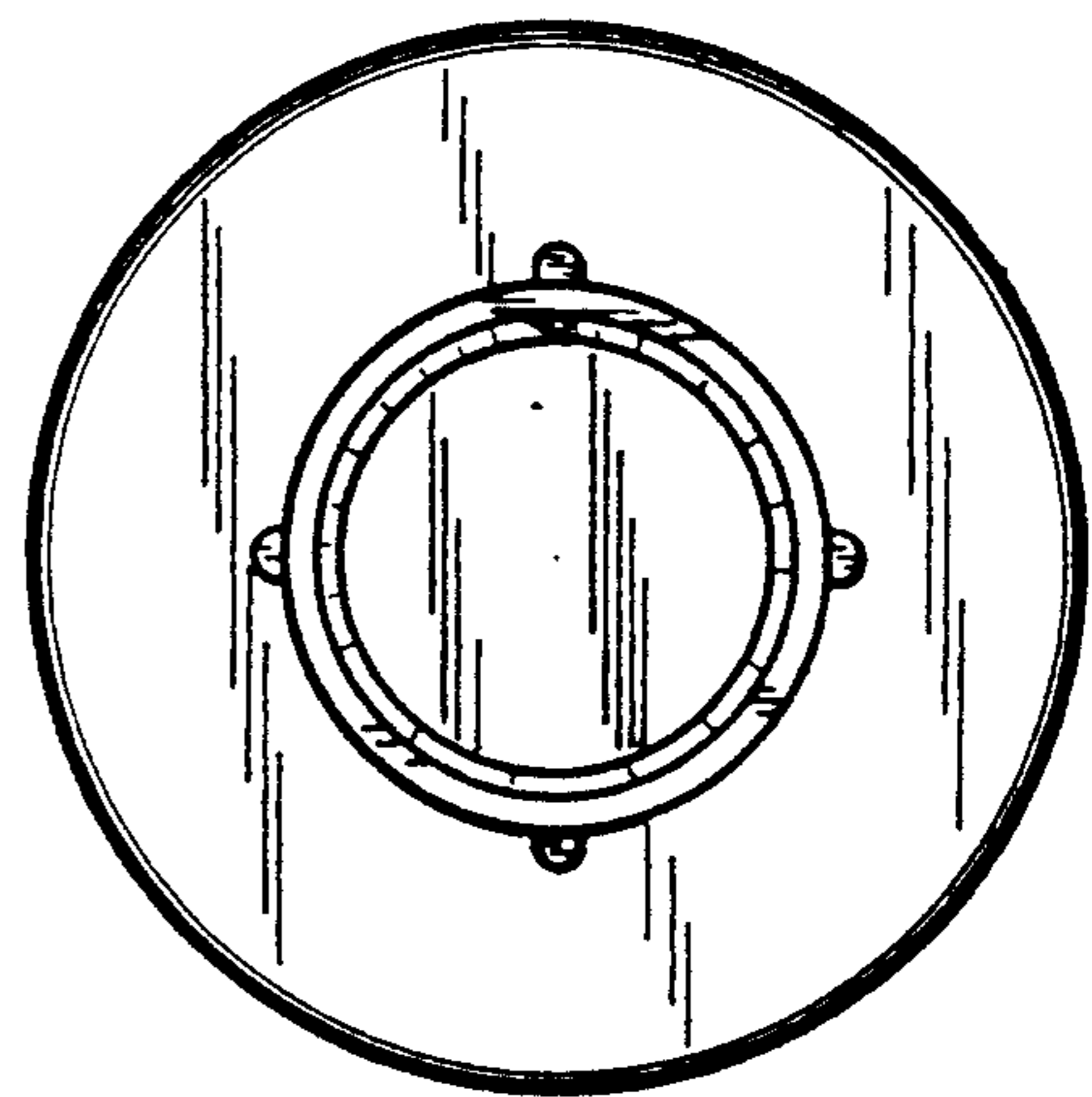


FIG. 3

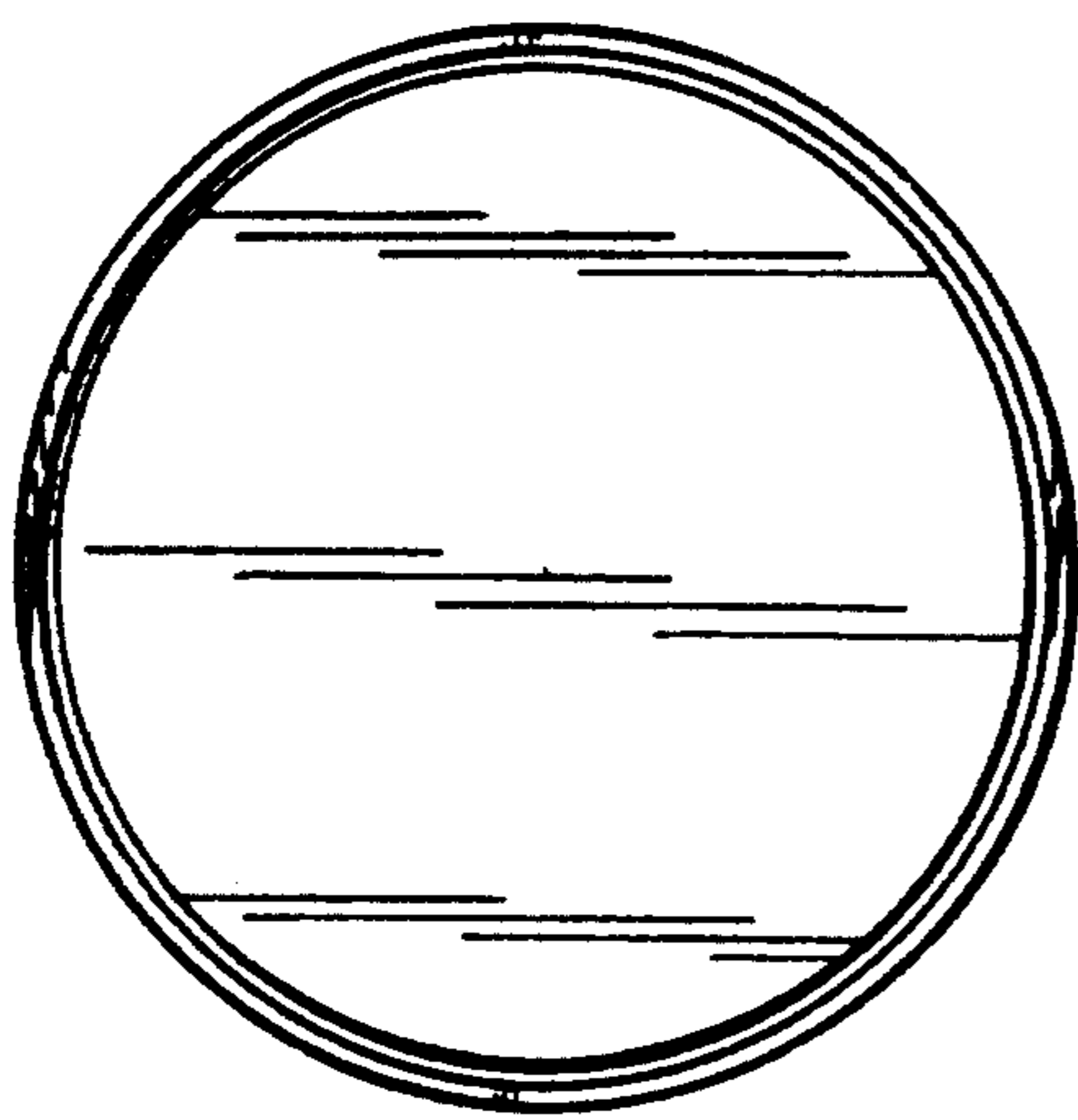


FIG. 4

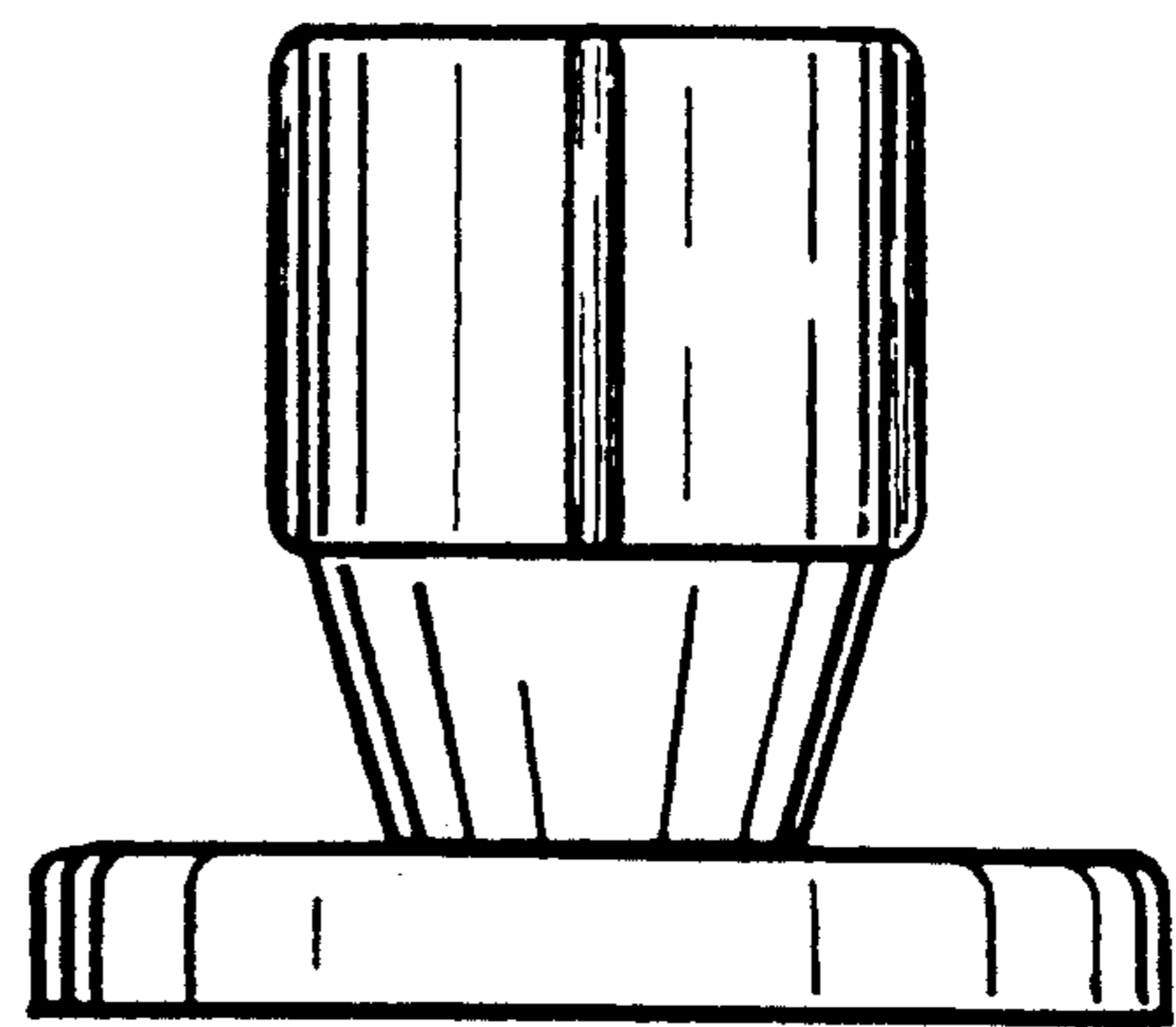


FIG. 2