



US00D339982S

United States Patent [19]

[11] Patent Number: **Des. 339,982**

Rodriguez Prados

[45] Date of Patent: **** Oct. 5, 1993**

[54] **GUIDE FOR CABLES**

[75] Inventor: **Rafael Rodriguez Prados, Madrid, Spain**

[73] Assignee: **Telefonica de Espana, S.A., Madrid, Spain**

[**] Term: **14 Years**

[21] Appl. No.: **784,217**

[22] Filed: **Oct. 30, 1991**

[30] **Foreign Application Priority Data**

May 3, 1991 [ES] Spain 124814

[52] U.S. Cl. **D8/356**

[58] Field of Search D8/356, 380, 373;
248/68.1, 73, 74.2

[56] **References Cited**

U.S. PATENT DOCUMENTS

- D. 138,739 9/1944 Harris D8/380 X
- D. 228,737 10/1973 Mathews D8/356
- D. 261,960 11/1981 Mathews D8/356
- D. 317,112 5/1991 Newvirth et al. D8/380 X
- 5,067,677 11/1991 Miceli D8/356 X

Primary Examiner—Wallace R. Burke

Assistant Examiner—H. Baynham

Attorney, Agent, or Firm—Mason, Fenwick & Lawrence

[57] **CLAIM**

The ornamental design for a guide for cables, as shown and described.

DESCRIPTION

FIG. 1 is a top, end and right hand side perspective view of a first embodiment of a guide for cables showing my new design;

FIG. 2 is a right hand side elevational view thereof;

FIG. 3 is an end view thereof;

FIG. 4 is an end view thereof opposite that of FIG. 3;

FIG. 5 is a left hand side elevational view thereof;

FIG. 6 is a top plan view thereof;

FIG. 7 is a bottom plan view thereof;

FIG. 8 is a top, end and right hand side perspective view of a second embodiment of a guide for cables in accordance with the present invention;

FIG. 9 is a right hand side elevational view thereof;

FIG. 10 is an end view thereof;

FIG. 11 is an end view thereof opposite that of FIG. 10;

FIG. 12 is a left hand side elevational view thereof;

FIG. 13 is a top plan view thereof;

FIG. 14 is a bottom plan view thereof;

FIG. 15 is a top, end and right hand perspective view of a third embodiment of a guide for cables in accordance with the present invention;

FIG. 16 is a right hand side elevational view thereof;

FIG. 17 is an end view thereof;

FIG. 18 is an end view thereof opposite that of FIG. 17;

FIG. 19 is a left hand view thereof;

FIG. 20 is a top plan view thereof;

FIG. 21 is a bottom plan view thereof;

FIG. 22 is a top, end and right hand perspective view of a fourth embodiment of a guide for cables in accordance with the present invention;

FIG. 23 is a right hand side elevational view thereof;

FIG. 24 is an end view thereof;

FIG. 25 is an end view thereof opposite that of FIG. 24;

FIG. 26 is a top plan view thereof;

FIG. 27 is a bottom plan view thereof;

FIG. 28 is a left hand view thereof;

FIG. 29 is a top, end and right hand perspective view of a fifth embodiment of a guide for cables in accordance with the present invention;

FIG. 30 is a right hand side elevational view thereof;

FIG. 31 is an end view thereof;

FIG. 32 is an end view thereof opposite that of FIG. 31;

FIG. 33 is a left hand view thereof;

FIG. 34 is a top plan view thereof; and,

FIG. 35 is a bottom plan view thereof.

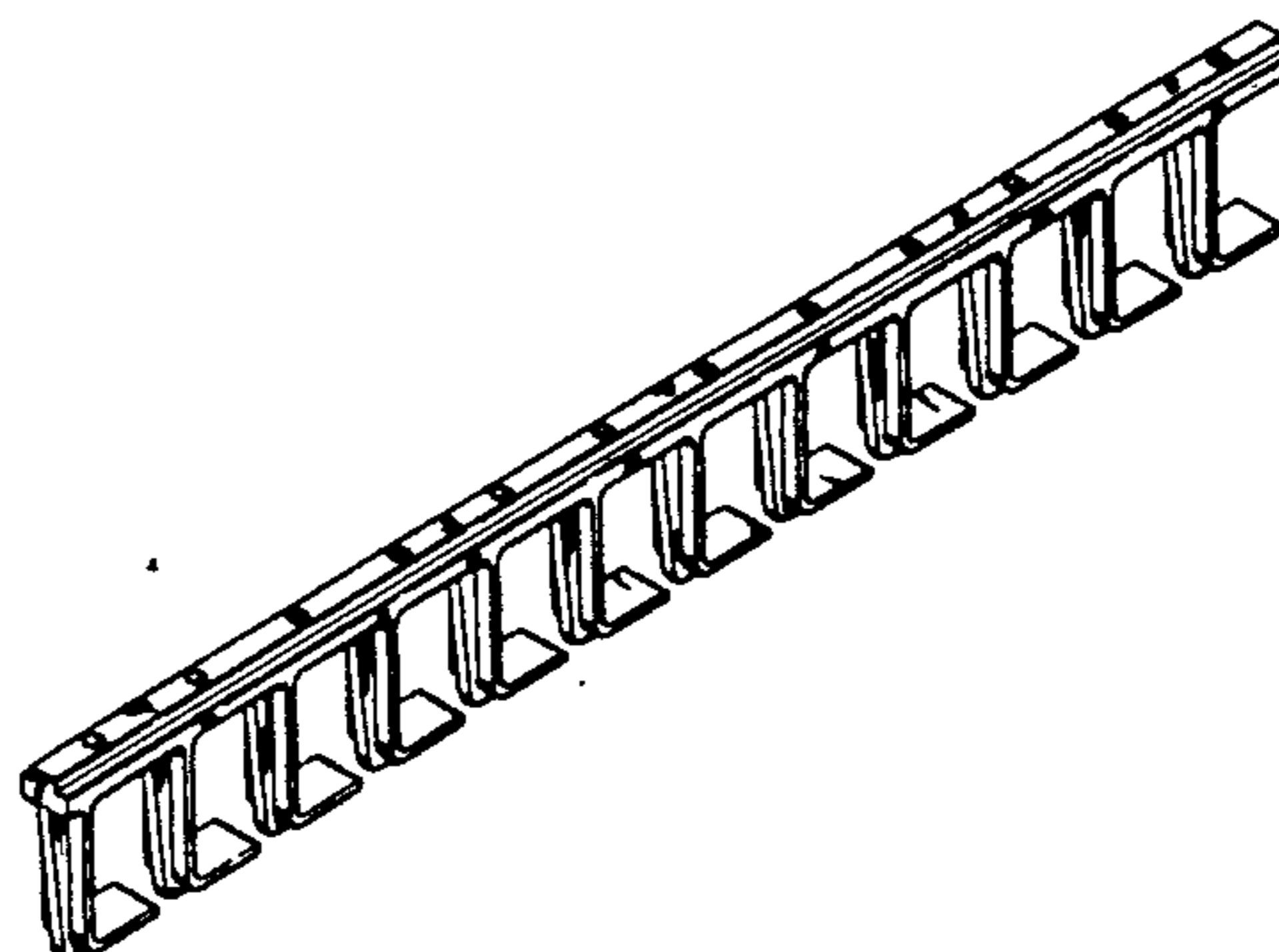
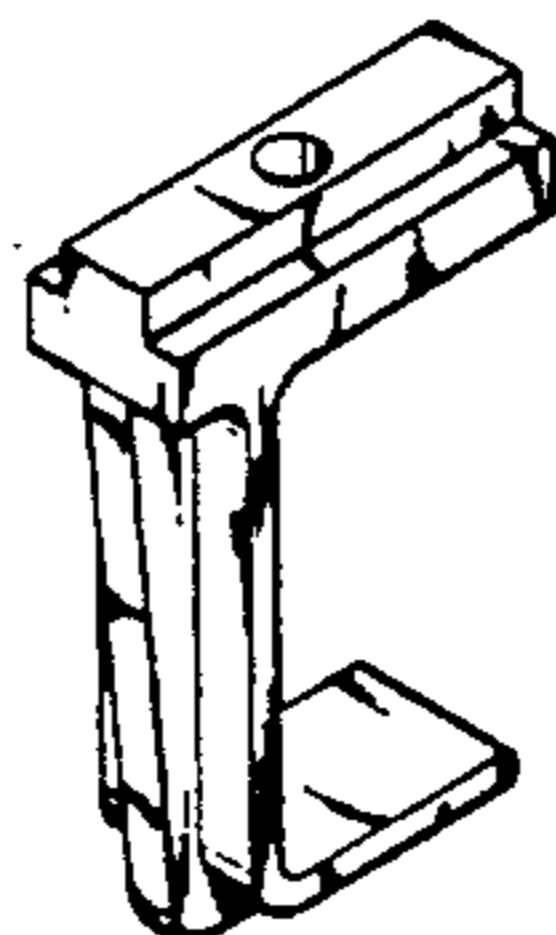


FIG. 1

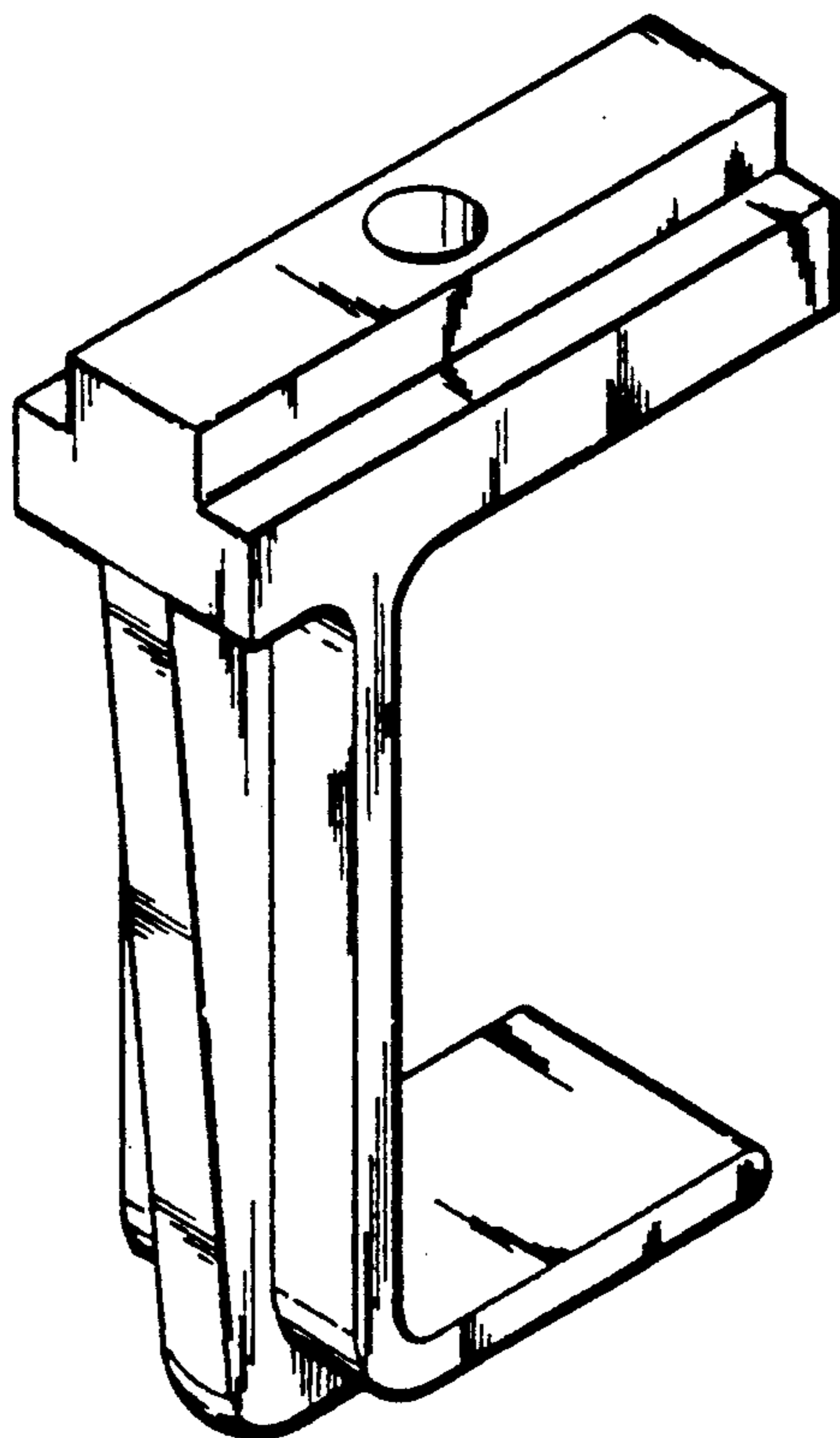


FIG. 6

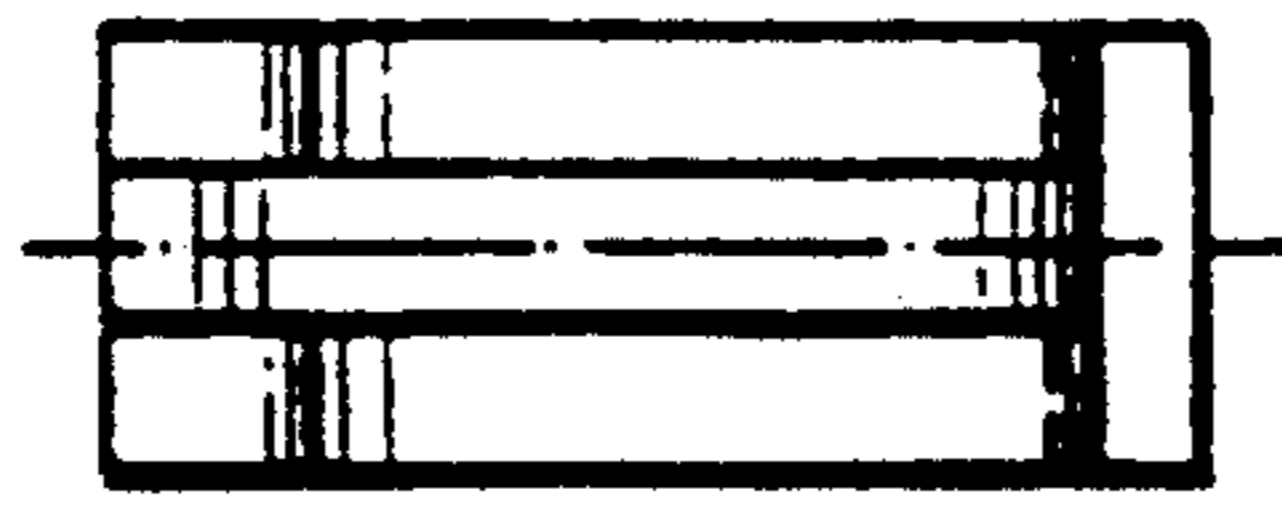


FIG. 3

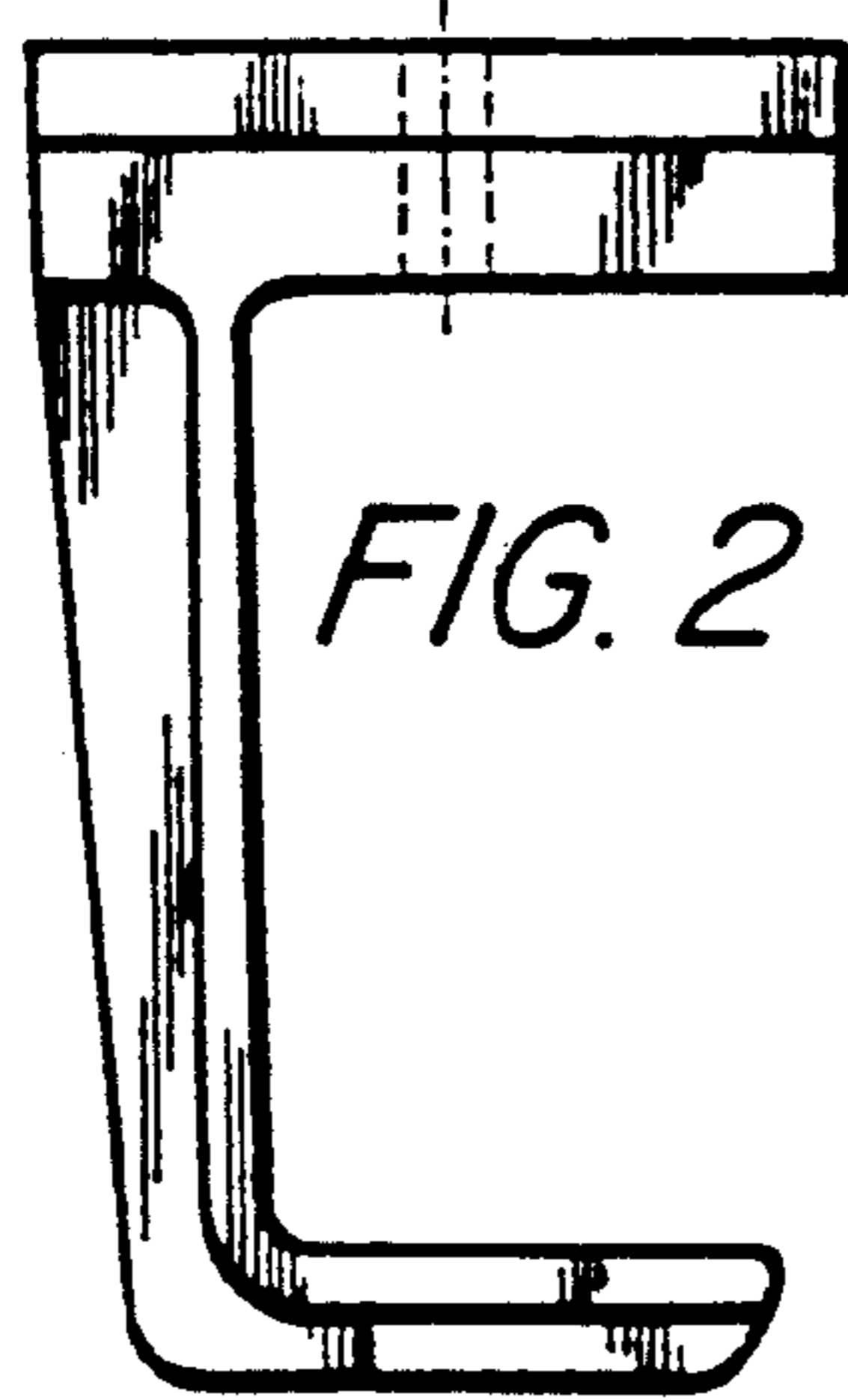


FIG. 2



FIG. 4

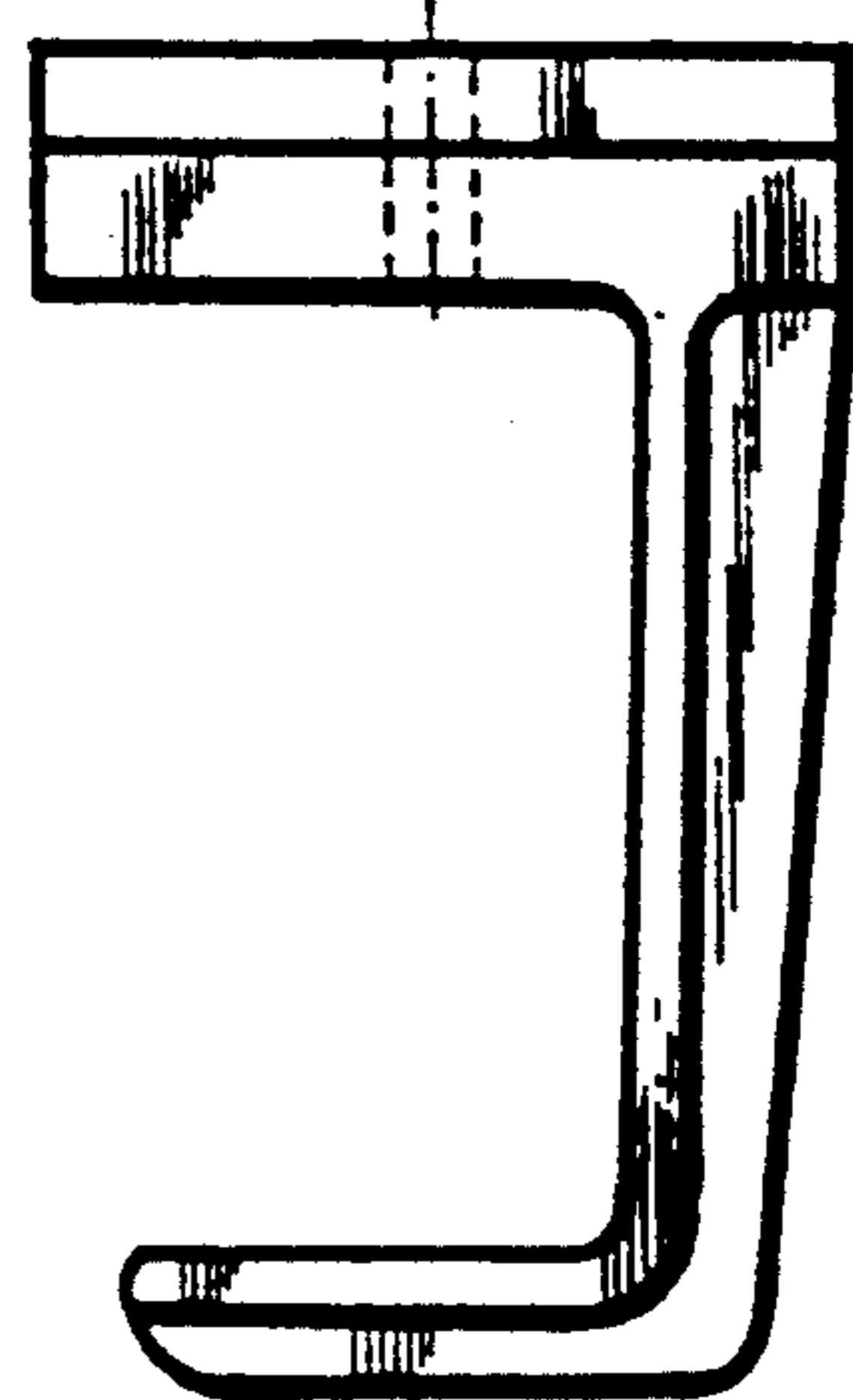


FIG. 5

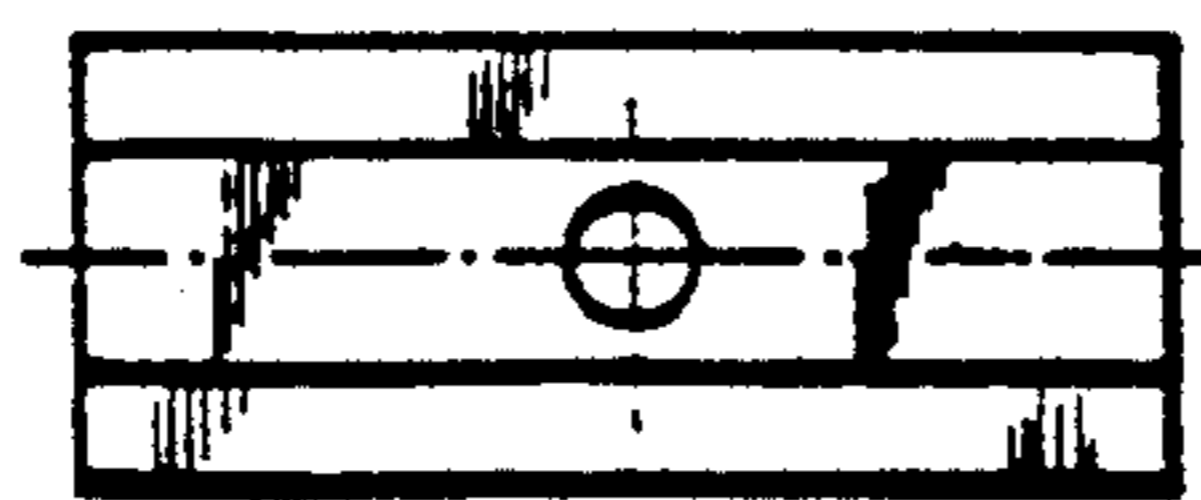


FIG. 7

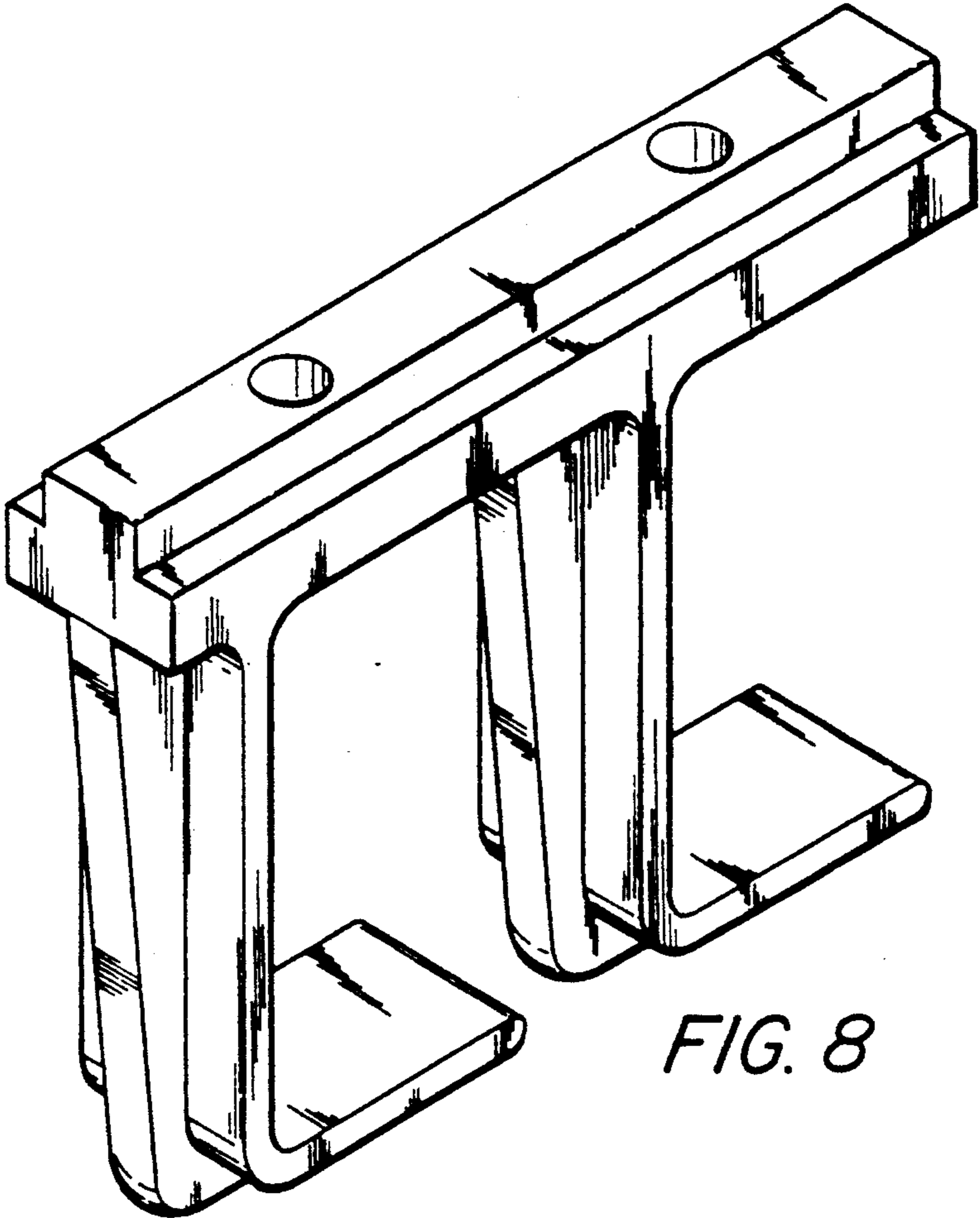


FIG. 8

FIG. 13

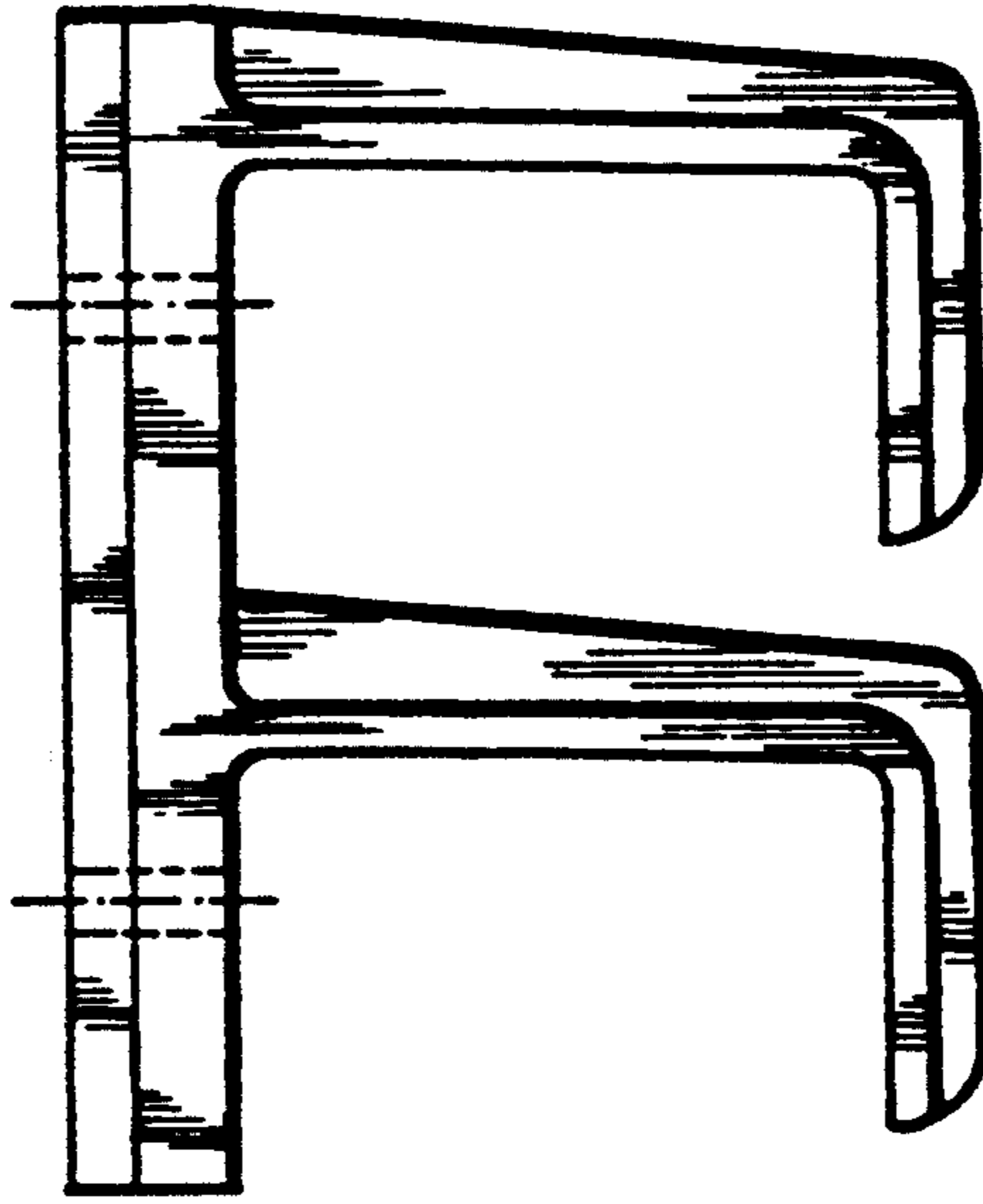
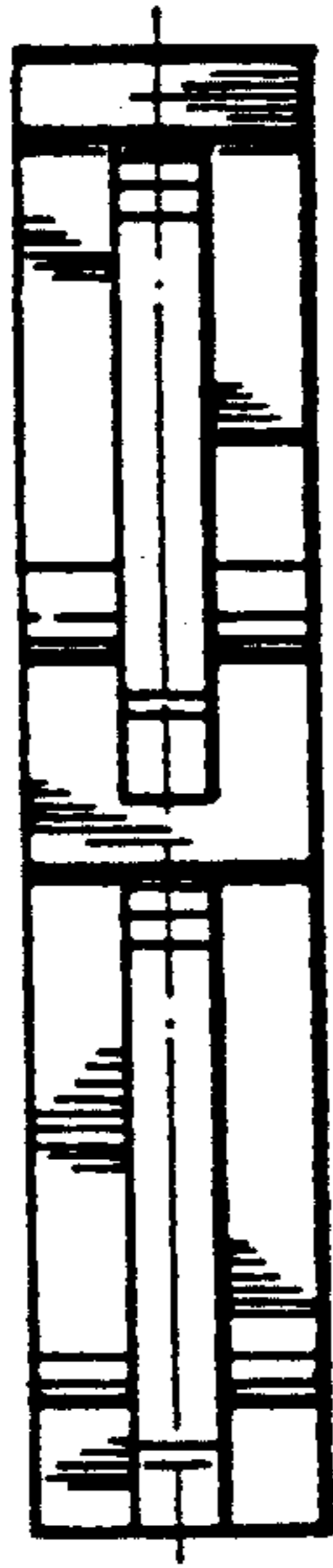


FIG. 12

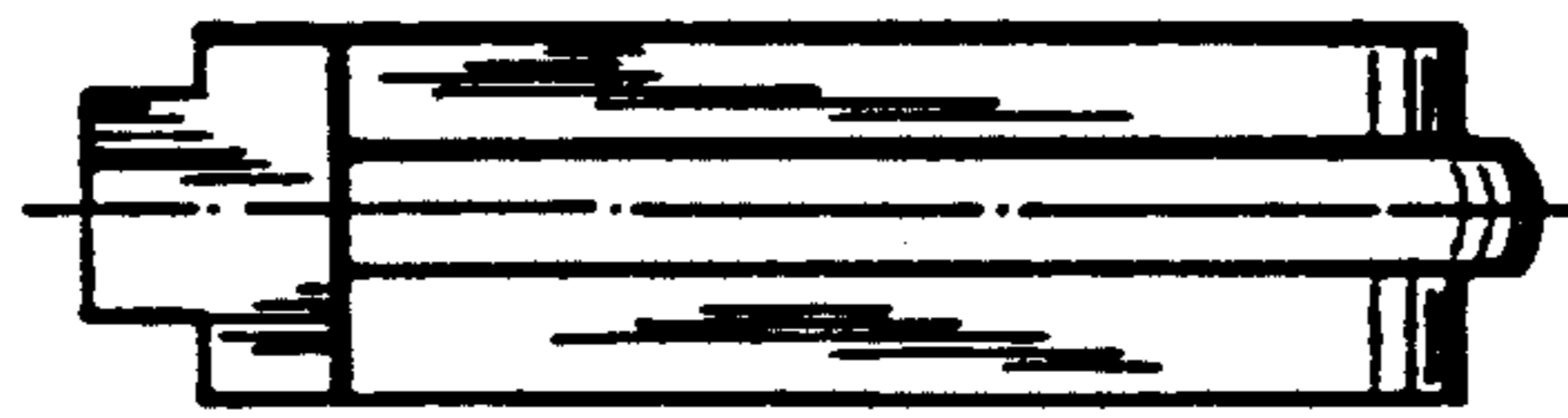


FIG. 11

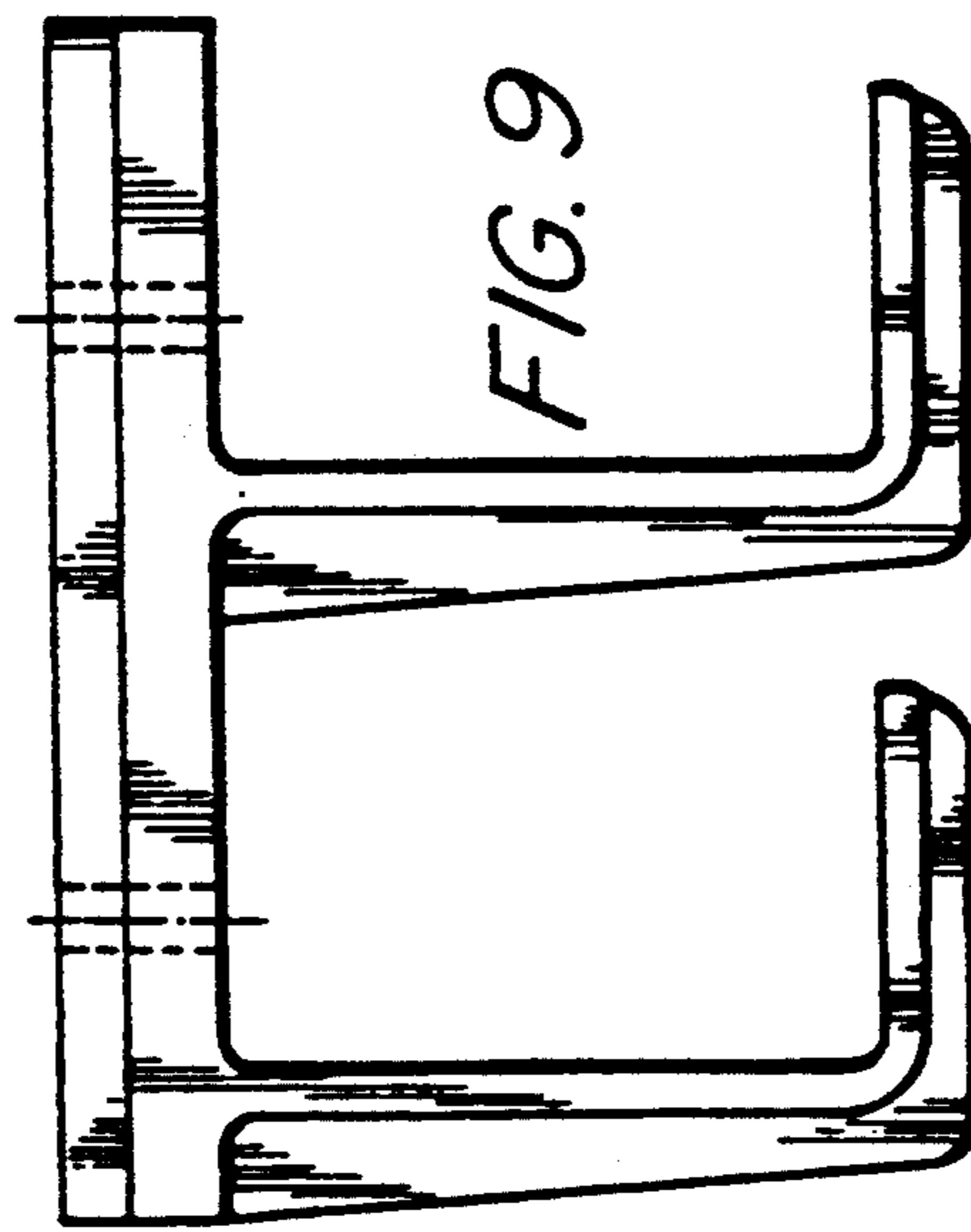


FIG. 9

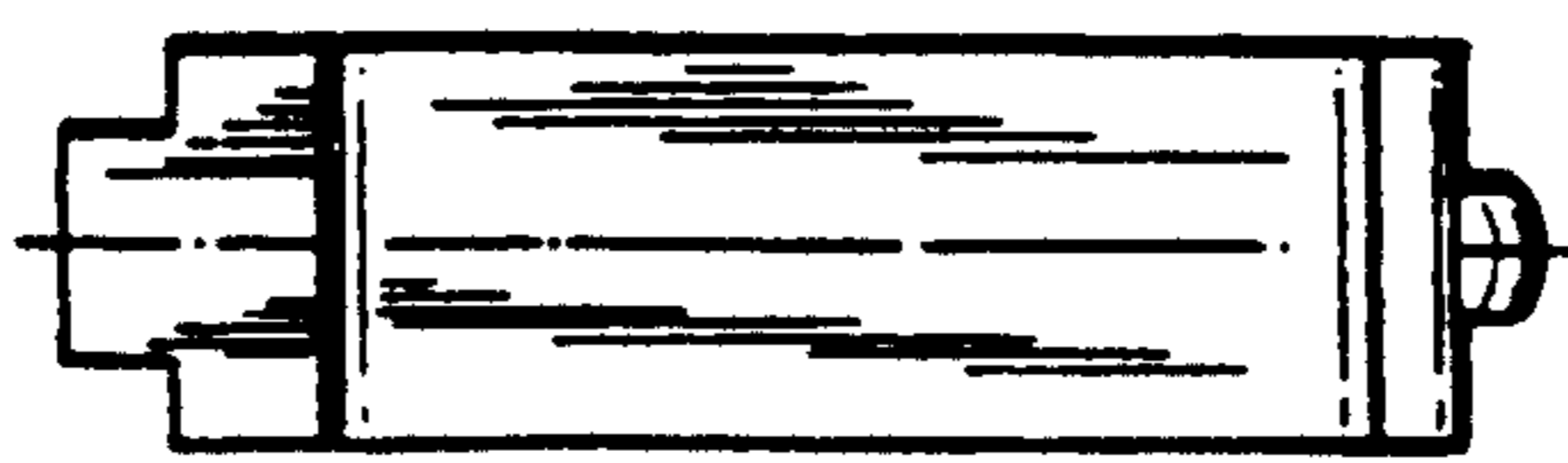


FIG. 10



FIG. 14

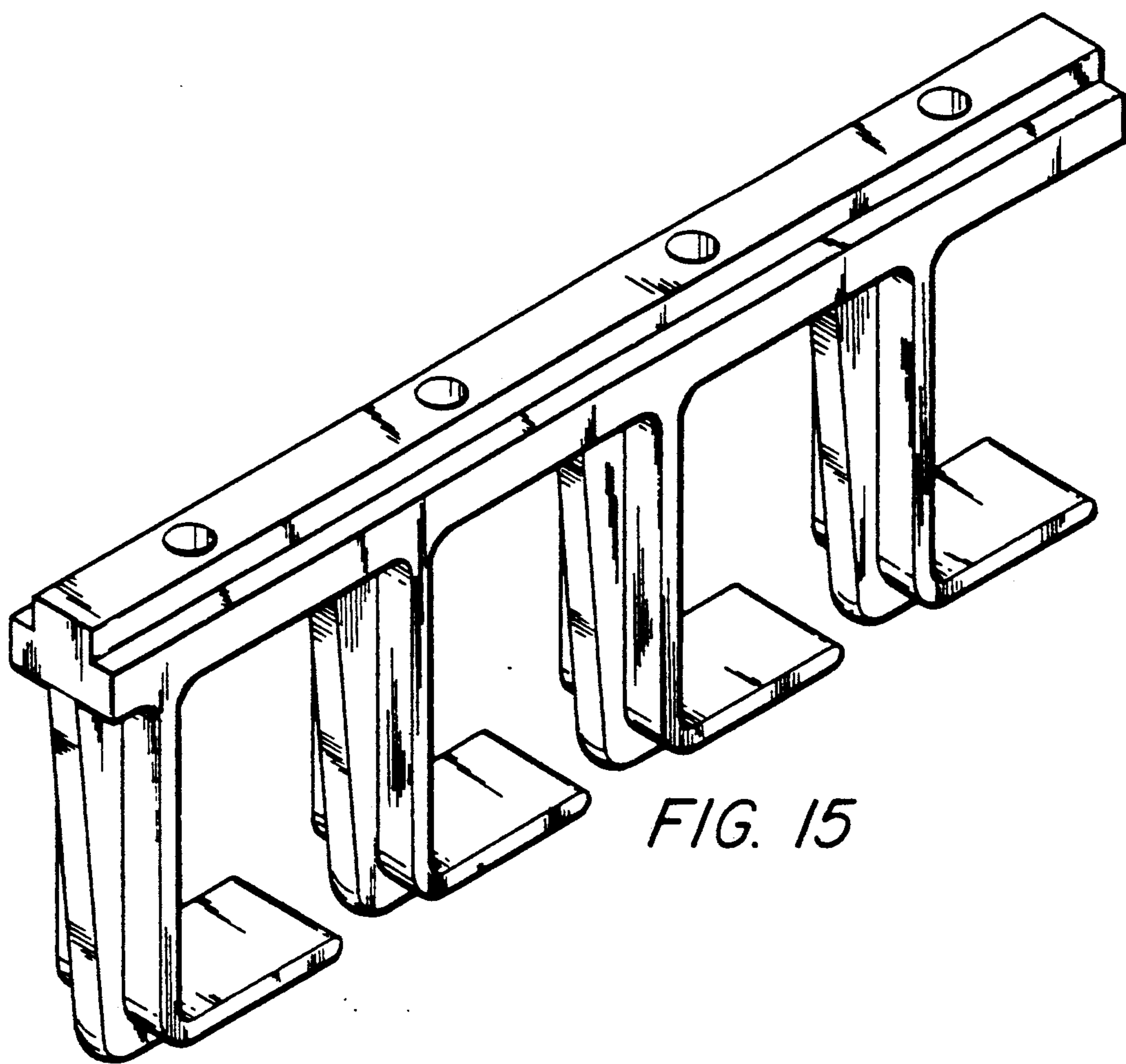


FIG. 15

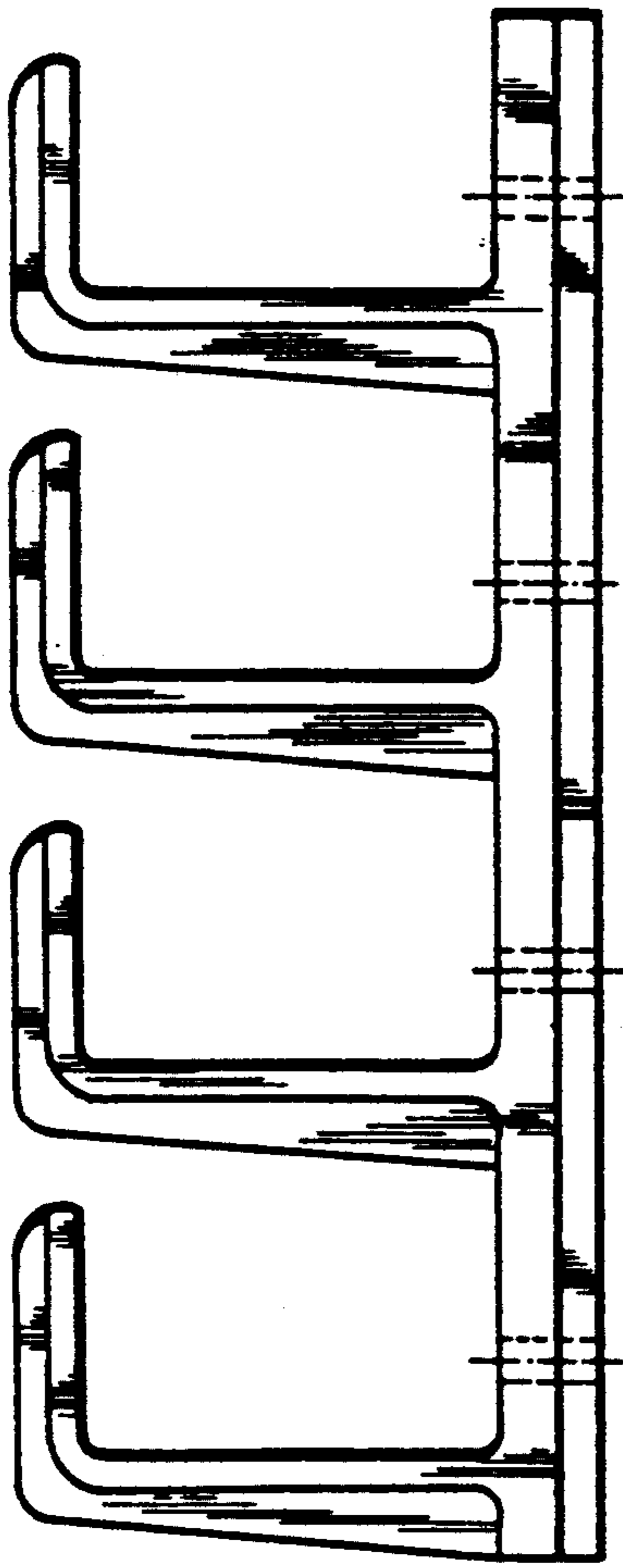


FIG. 20



FIG. 19

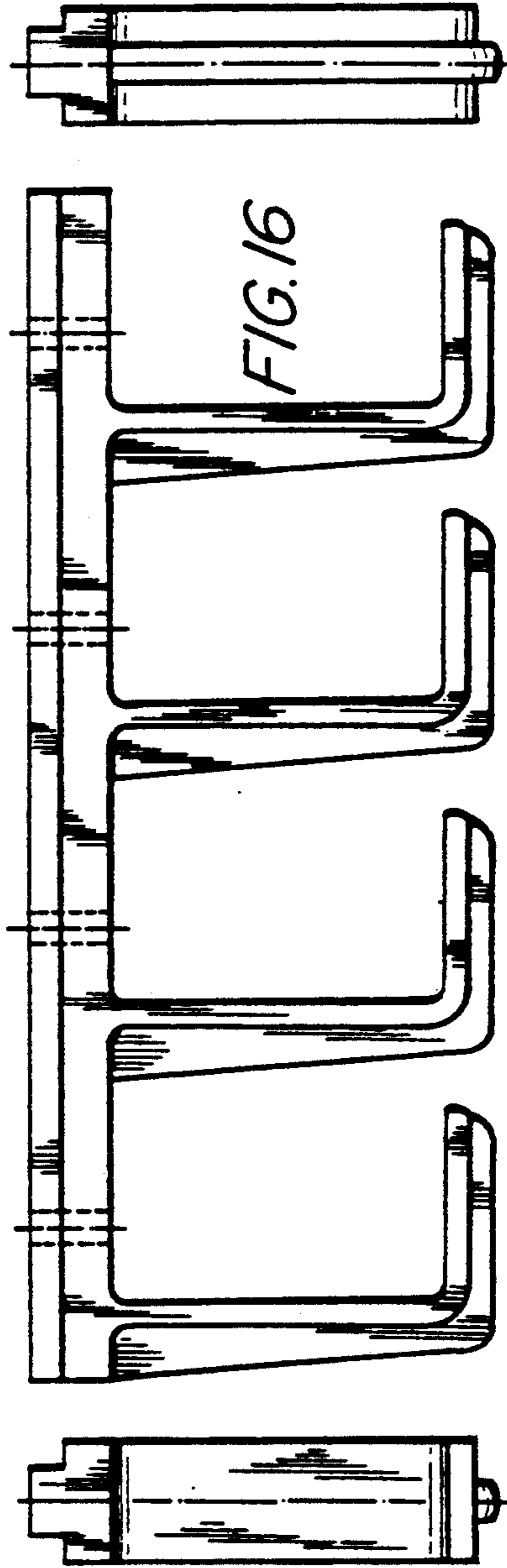


FIG. 16

FIG. 17

FIG. 18

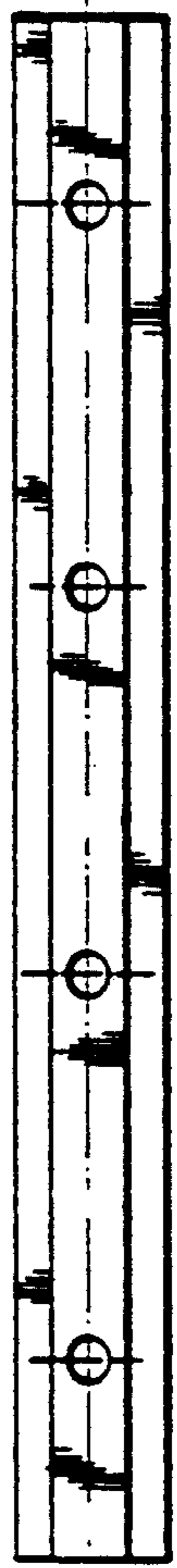


FIG. 21

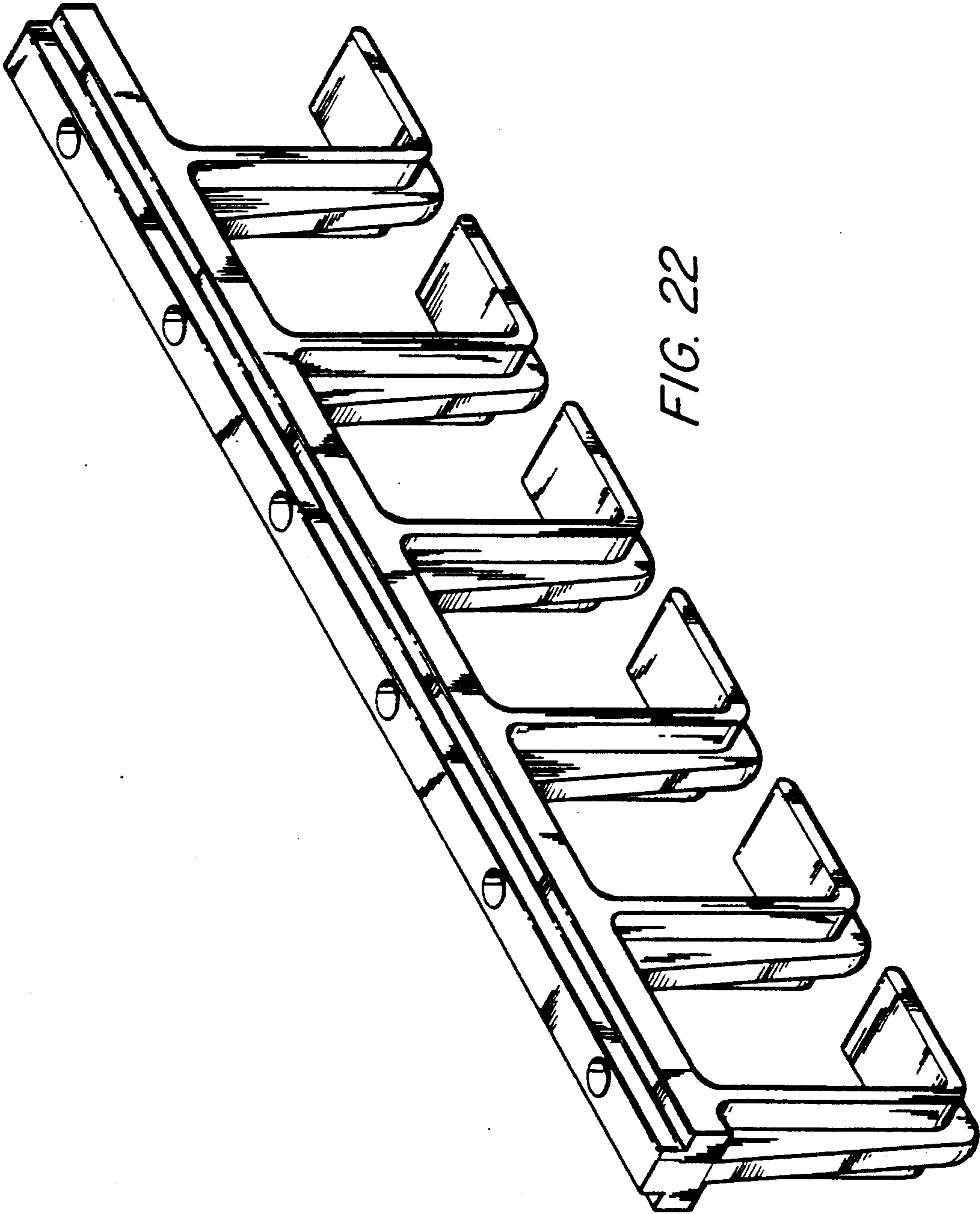


FIG. 22

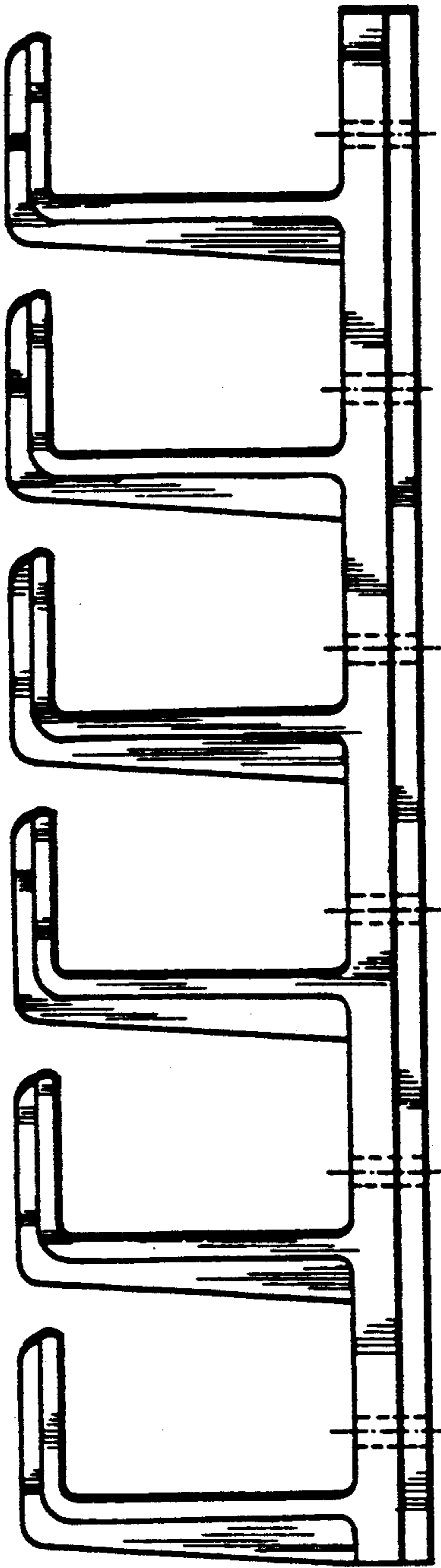


FIG. 27



FIG. 26

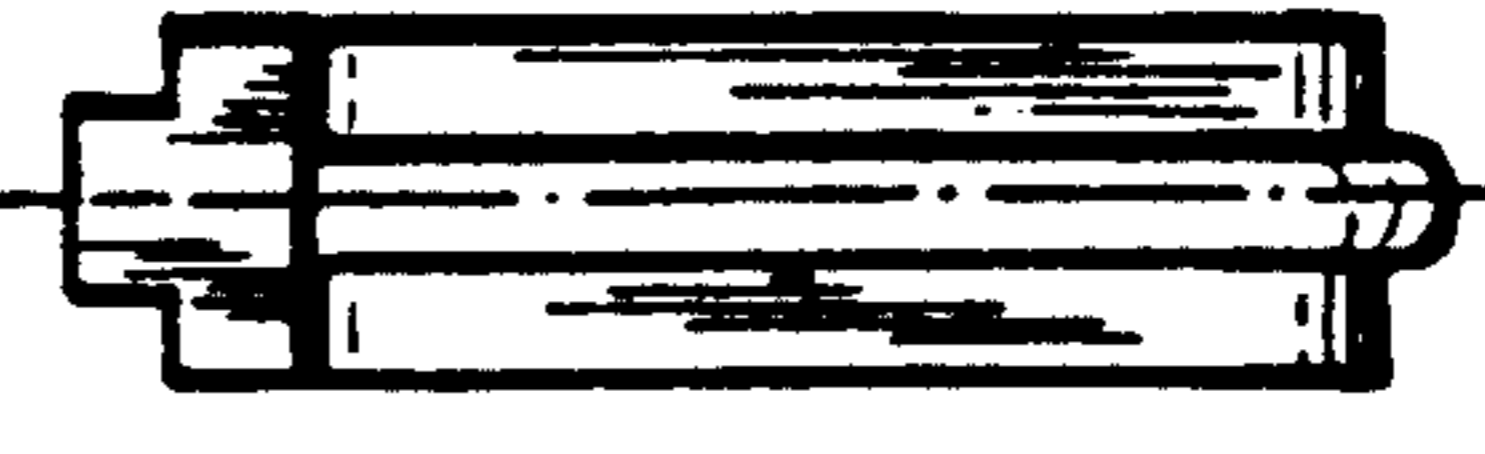


FIG. 25

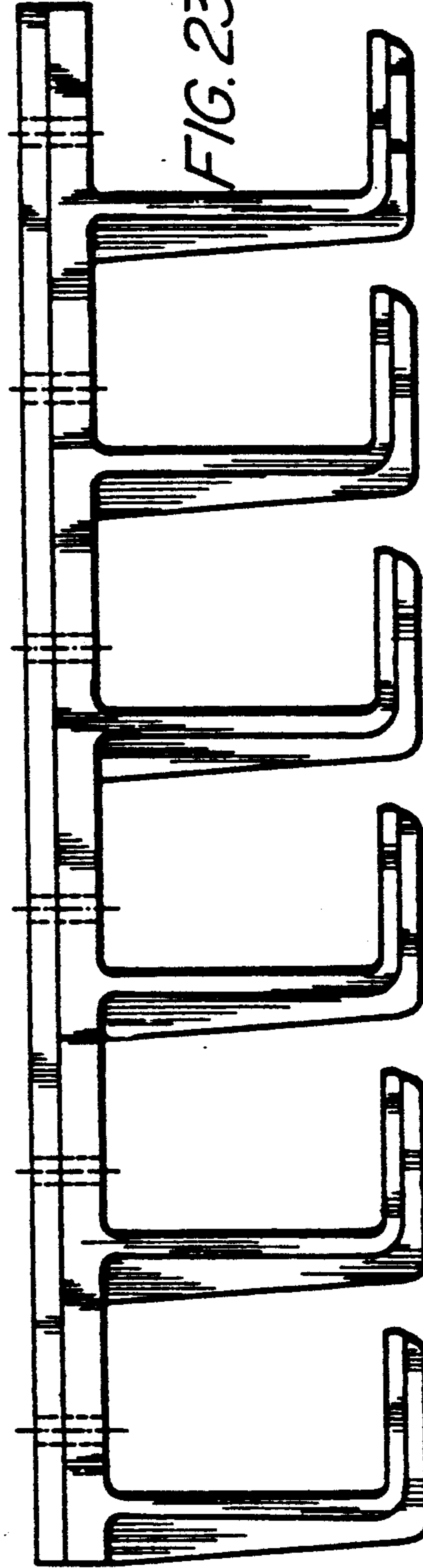


FIG. 23

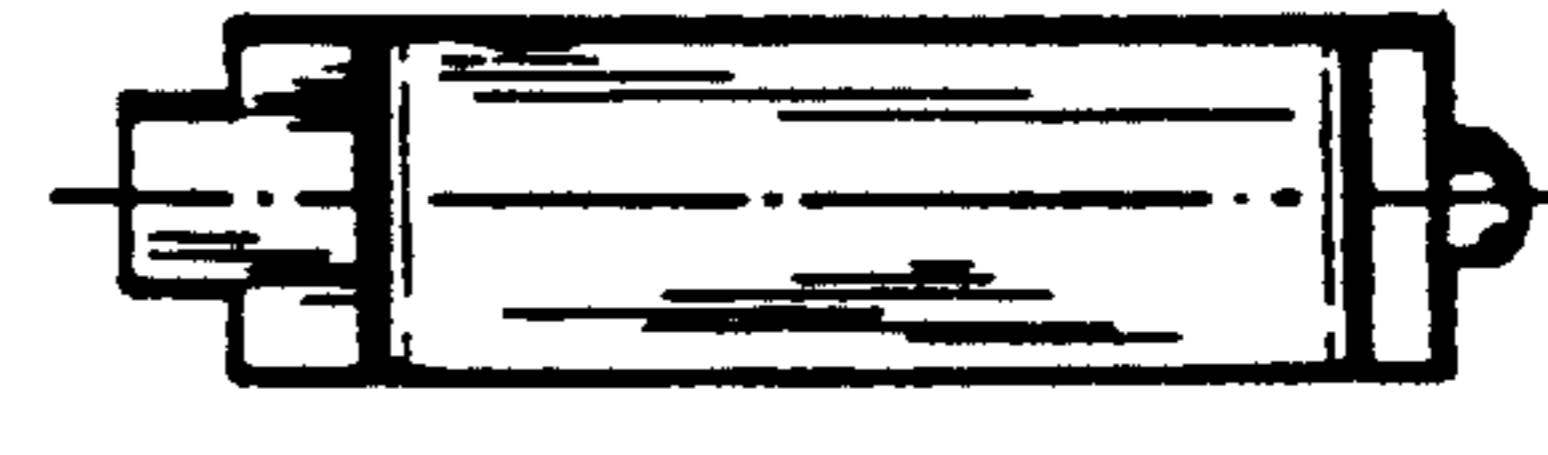


FIG. 24



FIG. 28

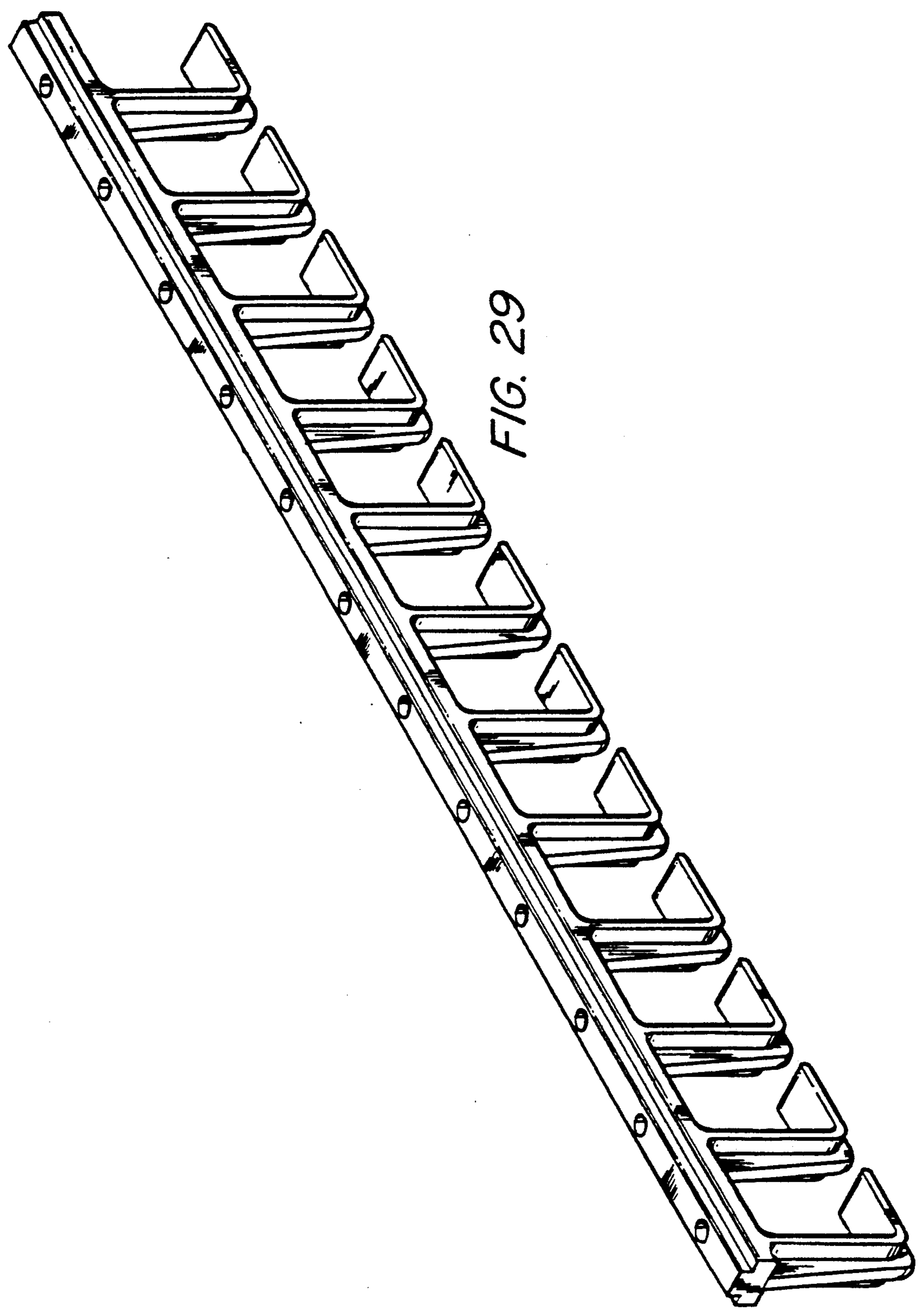


FIG. 29

FIG. 34

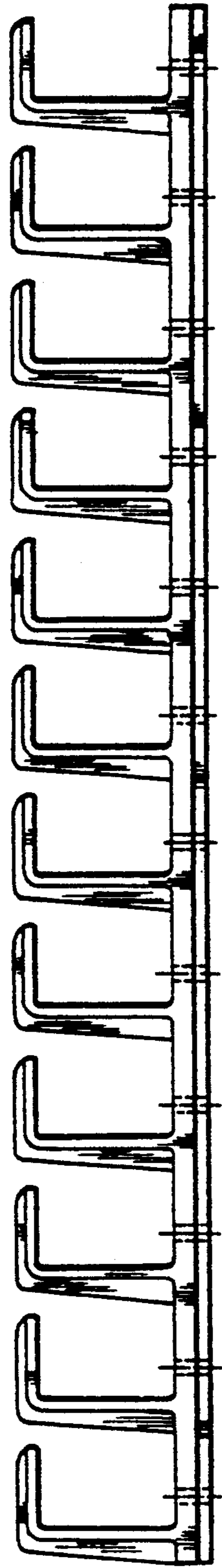


FIG. 33



FIG. 30

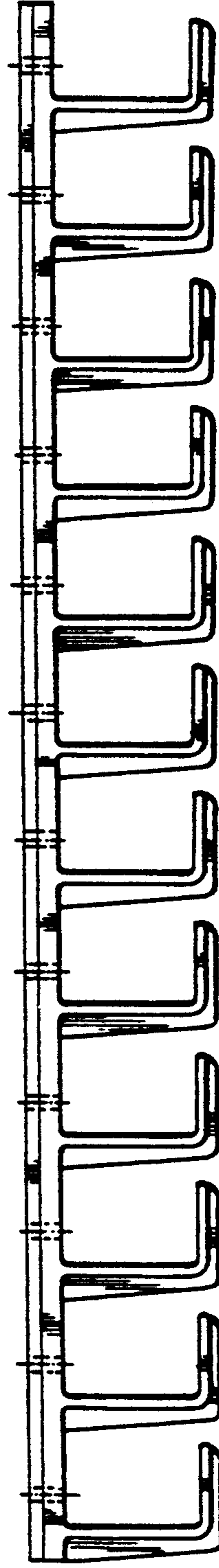


FIG. 32

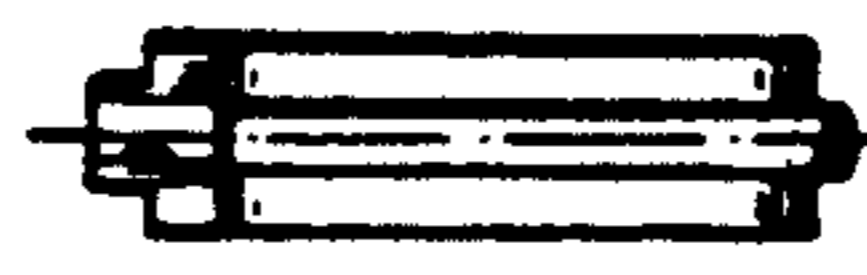


FIG. 31

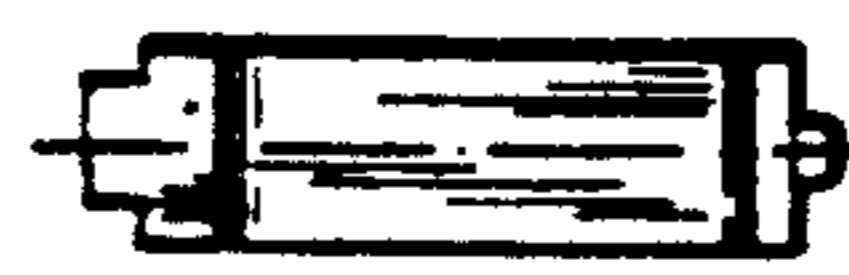


FIG. 35

